



Cast Products, Incorporated
18676 N. Jefferson St.
Athens, AL 35612

Office: 800.468.2278
Fax: 256.233.6238
www.getcpi.com

To our Customers,

Cast Products, Inc. (“CPI”) is an engineering and manufacturing company specializing in cast aluminum products. Our unique line of superior products has served a variety of manufacturers that operate in the emergency medical, fire apparatus, police, specialty vehicle, marine, trailer, and lighting industries. With over 150 highly trained manufacturing personnel and facilities that encompass 85,000 square feet, we are dedicated to meet the growing needs of our current and future customers.

CPI’s team of highly trained and dedicated personnel enjoys challenges offered by the innovative needs of our customers. Our Engineering Department and Tooling Specialists use SolidWorks and CNC technology to develop high quality, production-ready patterns in a timely manner. In addition, our sales and customer service staff is always available to provide a personalized service in selecting the right product for your application.

Our 2021 Catalog is filled with product ideas for your selection. If you have a special need which you do not find, if you need help in selecting a product, or if you need additional technical information, we will be happy to help you.

©2021 Cast Products, Inc. Athens, Alabama. Printed in the United States of America. ALL RIGHTS RESERVED. Nothing in this catalog may be reproduced in any manner either, wholly, of in part for any reason whatsoever without the written permission of Cast Products, Inc.



Since 1979



Weight Range: ounces to 25 lbs.
Quantities: 1 to 30,000 annual usages
Type of Molding: Green Sand
Alloys: AL 356.2 and AL 319

-Engineering Department-

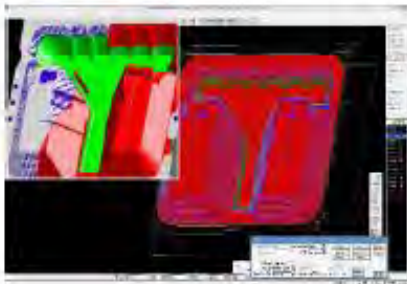
- Design Support and feasibility reviews
- Initial cost estimating/quote development
- Reviews of customer 2D and 3D data
- Analysis of part dimensioning and tolerances
- Provide 2D prints & project renderings
- Fixture creation and design secondary machining operations

-Tooling Department-

- Initial pattern design, creation and setup
- Annual maintenance

-The Foundries-

- Green sand molding
- 1 automated Robert Sinto 20x24 molding machine
- 6 manual jolt-squeeze molding machines with 7 standard flask sizes
 - 12x22; 13x18; 14x14;14x24;16x16
 - 18x28; 20x24; 22x42; 26x32
- 4 - 2300 lbs. Thermtronix electric furnaces
- 2 Sand Shell Core Machines (semi-automatic)



-Finishing-

- As Cast
- Grinding
- Polishing
- Vibratory Finishing (VFM)
- Burnishing
- Media blasting
- Shot blasting

-Machining & CNC Department-

- 5 3-axis CNC Machines
 - VMC 6030 and VMC 4020
- Conventional and Complex CNC Machining
- Post machining processes
- Milling, drilling, and tapping

-Available Services-

- Full assembly and sub-assembly capabilities
- Services from qualified outside source(s)
 - Painting & Powdercoating
 - Die-castings & Permanent Mold
 - Chrome Plating
 - Rubber Components – rotary, injection, and extruded
 - Metal stampings





Warranty and Returns

Warranty: General products;

Cast Products, Inc. (CPI) warrants all aluminum castings, stainless steel stampings, aluminum extrusions, rubber or plastic molded products manufactured by CPI to be free of defects due to material and or workmanship sixty days from the CPI shipping date. This warranty does not cover ordinary wear, negligence, alterations or deterioration of surface finish due to lack of cleaning and or polishing in normal use. It is the responsibility of the purchaser / owner to routinely clean and polish the surface of the product to maintain the original shine and luster as delivered.

Warranty: Siren speaker drivers;

Cast Products, Inc. (CPI) warrants all new siren speaker drivers for a period of two years under normal use and service, from the marked product date code to the end user. This warranty does not cover speaker drivers subjected to abuse, misuse, improper operating voltage, modifications or incorrect installations. This warranty does not cover deterioration of the speaker housing surface finish beyond the sixty days as stated for aluminum castings. It is the responsibility of the purchaser / owner to routinely clean and polish the surface of the product to maintain the original shine and luster as delivered.

Warranty: Chrome plated and powder coated castings;

Cast Products, Inc. (CPI) warrants all chrome plated and powder coated castings manufactured by CPI to be free of defects due to material or workmanship for a period not to exceed one (1) year from the CPI shipping date. This warranty does not cover ordinary wear, negligence, or alterations made by the purchaser or deterioration of surface finish due to lack of cleaning and or polishing of the material in normal use. It is the responsibility of the purchaser / owner to routinely clean the surface of the product to maintain the original shine and luster as delivered.

Warranty: Lights / LED Lights;

Cast Products, Inc. (CPI) warrants Lights / LED Lights to be free of defects due to material or workmanship for a period not to exceed one (1) year from the CPI shipping date (Supplier Warranty).

Product Returns Policy:

No product may be returned for credit without the prior authorization from Cast Products, Inc. (CPI). Contact CPI at returns@getcpi.com for a return authorization number to insure proper crediting to your account. Any product returned without the return authorization will be returned freight collect. A minimum restocking fee of 25% may apply. Returns will be inspected for improper packaging and shipping damage and at CPI's discretion; a charge for repairing or refinishing may apply.

This warranty does not cover travel expenses, the cost of specialized equipment for gaining access to the product, or labor charges for removal and re-installation of the product.



Product Line Designators			
AD	Access Door	MSP	Marine Stern Port
ADC	Access Door Component	MSS	Marine Stern Starboard
ADM	Access Door Misc	OA	Oxygen Accessories
AH	Assembly Hardware	OC	Oxygen Cylinder Parts
BC	Bumper Corner	PR	Proprietary Parts
CR	Foundry Core	PRC	Proprietary Component
CPM	CPI Misc	RG	Rubber Gasket
CT	Cutting Templates	RR	Rub Rail End
DH	Door Hardware	SA	Siren Assembly
EB	Enclosed Box	SAD	Siren Assembly Driver
EC	Extrusion Component	SAP	Siren Assembly Passenger
EL	Electronics	SB	Siren Bracket
EX	Extrusion	SC	Siren Cone
EXA	Ex Hsg w- CPI end caps	SD	Siren Driver
EXB	Ex Hsg w- Swivel Brkts	SH	Siren Horn
EXC	Ex Hsg w- Swivel Brkts, Rt side hole	SP	Step
EXD	Ex Hsg w- Swivel Brkts, Lft side hole	SS	Shelf Brackets & Supports
EXE	Ex Hsg w- Angled End Caps-3x4 Lt	ST	Siren Trim
FA	Fire Apparatus	STC	Stretcher Cups
FC	Fire Apparatus Component	STH	Stretcher Hangers
FD	Fenderette	SW	Siren Wedge
FG	Fuel Guards	TA	Traffic Accessories
FGC	Fuel Guard Component	TC	Traffic Components
FR	Flange Ring	TFC	Truck Front Curbside
FS	Flange Spacer	TFS	Truck Front Steetside
HD	Handles	TFU	Truck Front Universal
IV	IV Hanger	TGC	Truck General Casting
LB	Light Bar Bracket	TGR	Truck General Rear
LBC	Light Bar Bracket Component	TMC	Truck Misc. Casting
LC	Light Housing Component	TRC	Truck Rear Curbside
LH	Light Housing Assembly	TRG	Truck Roller Gussel
LP	License Plate Holder	TRR	Truck Rub Rail
MBW	Marine Bow	TRS	Truck Rear Streetside
MC	Modular Corner	TRU	Truck Rear Universal
MCC	Marine Corner Casting	VC	Vent Cover
MGC	Marine General Casting	WC	Wheel Cover
MHB	Marine House Boat	WH	Wheeler Medical
MMC	Marine Misc	WL	Warning Light

Light Legends	
Light Housing, Weldon 1000 series	LH10
Light Housing, Truck-lite Marker	LH14
Light Housing, Weldon 2000 series	LH20
Light Housing, Weldon 2030 series	LH23
Light Housing, Federal Signal MODLED1 Light	LH24
Light Housing, 2" X 5"	LH25
Light Housing, 2" X 5" Federal Signal VIPER	LH251
Light Housing, Weldon 3020 series	LH32
Light Housing, 3" X 4"	LH34
Light Housing, 3" X 5" Linear Strobe (4E)	LH35
Light Housing, 3" X 7" (7E)	LH37
Light Housing, 3" X 7" (Whelen M Series)	LH37M
Light Housing, Trucklite Dome Light	LH44
Light Housing, 4" X 6"	LH46
Light Housing, 5" X 2" 500 series (500 series)	LH52
Light Housing, 5" X 8"	LH58
Light Housing, 7" X 9" (9E)	LH79
Light Housing, 1500 watt	LH901
Light Housing, 500 watt	LH902
Light Housing, Belts B70A	LH903
Light Housing, Caf's Eye CE600	LH904
Light Housing, Code3 Oscilaser	LH905
Light Housing, Fed Sig TCL, GS2F	LH906
Light Housing, Whelen C-Head	LH907
Light Housing, Guide Arrow	LH908
Light Housing, KD Lamp	LH909
Light Housing, Fireball / Blyte Light	LH910
Light Housing, Groe 4890	LH911
Light Housing, Underbody Lights	LH912
Light Housing, Federal Signal 3600	LH913
Light Housing, Power Arc	LH914
Light Housing, PAR36 Series	LH915

Powder Coat Colors (-6)	
Black Flat	B
Black Crinkle Coat	BC
Black High Gloss	BHG
Black Magic (Dupont)	BM
Midnight Black Wrinkle	BW
Beige (TM)	BT
Desert Tan (PPG)	DT
UPS Brown	BR
Gray	GR
Anodized Aluminum	AA
Anodized Gray	G3
Silver	S
Bengal Silver	SB
Tornado Gray	TG
White	W
Pure White	PW
Scrobe White	SW
Weathered White	WW
Safety Yellow	SY
Traffic Yellow	Y
Red	R

Finish Call-outs and Options:	
Polished	1
Ground	2
Brushed and ground	21
As cast	3
Wheel-a-brated	4
Ball-burnished	5
Ball-burnished and Hard buffed	51
Powder-coated	6
Vibratory Finish	7
Bead-Blasted	8

Hole Options	
Lock Hole	L
No Lock Hole	N
1.00" Hole	100
2.00" Hole	200
2.25" Hole	225
2.38" Hole	238
2.50" Hole	250
2.63" Hole	263
3.00" Hole	300

Type of Housing Application	
Miscellaneous	0
Total Surface Mount	1
Surface Mount	2
Recessed Mount	3
Tilt Down or Forward	4
Bumper Mount	5
Grille Mount	6
Intersection Housing	7
Flush Mount	8
No holes Option	9

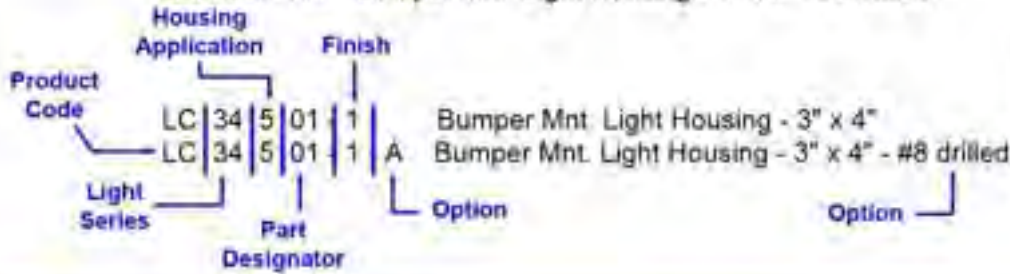
Option Format	
(Option #1)	A
(Option #2)	B
(Option #3)	C
etc.....	D

Part Number Examples

Light Housings

Part Number as ordered:

LC34501-1 Bumper Mnt. Light Housing - 3" x 4"
 LC34501-1-A Bumper Mnt. Light Housing - 3" x 4" - #8 drilled

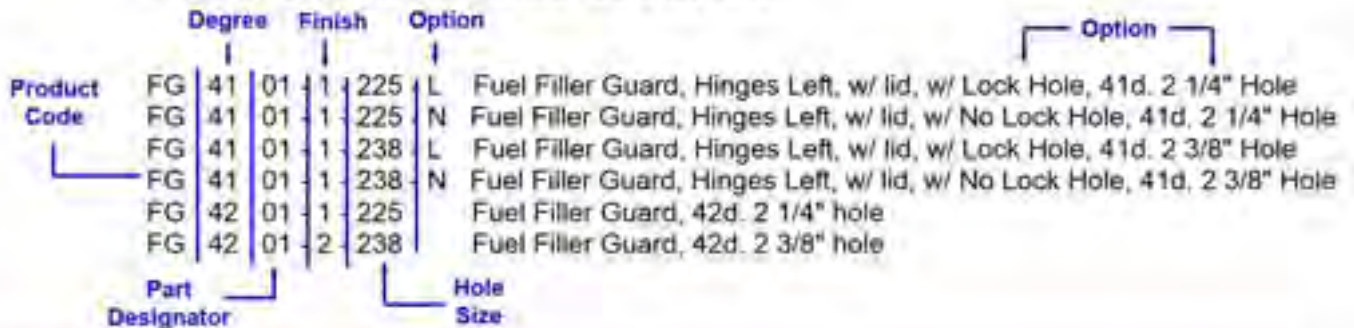


Type of Housing Application	
Miscellaneous	0
Total Surface Mount	1
Surface Mount	2
Recessed Mount	3
Tilt Down or Forward	4
Bumper Mount	5
Grille Mount	6
Intersection Housing	7
Flush Mount	8
No holes Option	9

Fuel Fill Guards

Part Number as ordered:

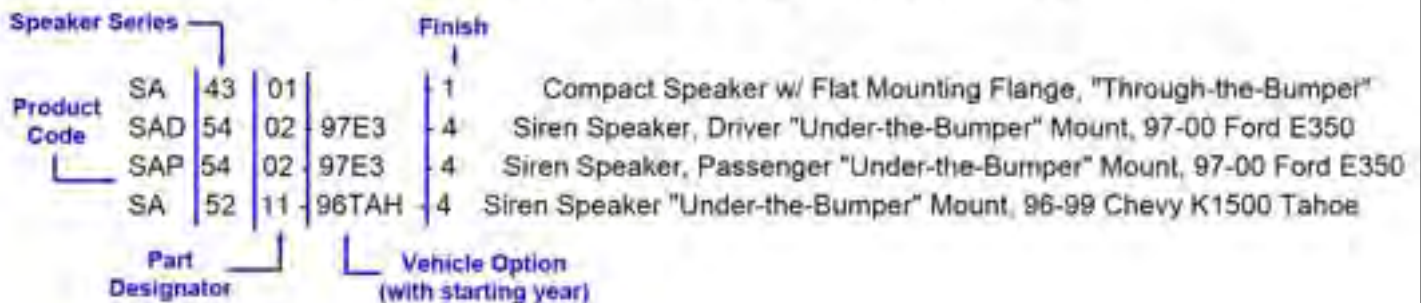
FG4101-1-225-L Fuel Filler Guard, Hinges Left, w/ lid, w/ Lock Hole, 41d. 2 1/4" Hole
 FG4101-1-225-N Fuel Filler Guard, Hinges Left, w/ lid, w/ No Lock Hole, 41d. 2 1/4" Hole
 FG4101-1-238-L Fuel Filler Guard, Hinges Left, w/ lid, w/ Lock Hole, 41d. 2 3/8" Hole
 FG4101-1-238-N Fuel Filler Guard, Hinges Left, w/ lid, w/ No Lock Hole, 41d. 2 3/8" Hole
 FG4201-1-225 Fuel Filler Guard, 42d. 2 1/4" hole
 FG4201-2-238 Fuel Filler Guard, 42d. 2 3/8" hole



Siren Speakers

Part Number as ordered:

SA4301-1 Compact Speaker w/ Flat Mounting Flange, "Through-the-Bumper"
 SAD5402-97E3-4 Siren Speaker, Driver "Under-the-Bumper" Mount, 97-00 Ford E350
 SAP5402-97E3-4 Siren Speaker, Passenger "Under-the-Bumper" Mount, 97-00 Ford E350
 SA5211-96TAH-4 Siren Speaker "Under-the-Bumper" Mount, 96-99 Chevy K1500 Tahoe



Contents

	<u>Access Doors</u>		<u>Fuel Filler Guards</u>
	<u>Access Door Miscellaneous</u>		<u>Flange Rings</u>
	<u>Bumper Corners</u>		<u>Flange Spacers</u>
	<u>Door Hardware</u>		<u>Glove Boxes</u>
	<u>Enclosures and Boxes</u>		<u>Handles</u>
	<u>Fire Apparatus</u>		<u>IV Hangers</u>
	<u>Fenderettes</u>		<u>Light Bar Brackets</u>



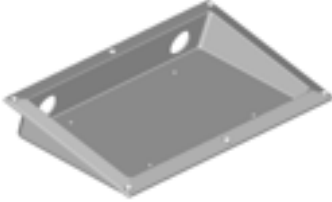





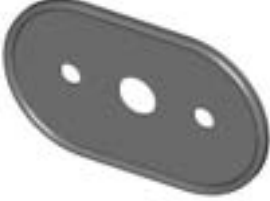



	<u>Light Housings</u>		<u>Steps</u>
	<u>License Plate Holders</u>		<u>Shelf Supports</u>
	<u>Modular Corners</u>		<u>Stretcher Cups</u>
	<u>Oxygen Cylinder and Accessories</u>		<u>Stretcher Hangers</u>
	<u>Rubber Gaskets</u>		<u>Vent Covers</u>
	<u>Rub Rail End Caps</u>	<u>Light Housing Compatibility List</u> (in excel format)	<u>Warranty Information</u>
	<u>Siren Speakers</u>	<u>Siren Speaker Compatibility List</u> (in excel format)	<u>Part Index</u>

Table of Contents

WARRANTY AND RETURNS 3

CONTENTS 7

TABLE OF CONTENTS 9

ACCESS DOORS 16

AD0001	16
AD0002	16
AD0003	16
AD0004	17
AD0005	17
AD0006	17
AD0007	18
AD0008	18
AD0009	18
AD0010	19
AD0011	19
AD0012	19
AD0013	20
AD0014	20
AD0015	20
AD0016	21
AD0017	21
AD0018	21
AD0019	22
AD0020	22
AD0021	22
AD0022	23
AD0023	23
AD0025	23
AD0026	24
AD0027	24
AD0028	24
AD0029	25
AD0030	25
AD0032	26
AD0034	26
AD0035	27
AD0037	27
AD0038	28
AD0039	28
AD0040	29
AD0042, AD0042-C, AD0042-L	29
AD2001	30
AD2002	31

ACCESS DOOR MISCELLANEOUS 32

ADC0141	32
ADM0001	32
ADM0002	33
ADM0004	33

BUMPER CORNERS 34

BC0001	34
BC0002	34
BC0003	34
BC0006	35
BC0010	35
BC0011	35
BC0012	36
BC0013	36

BACKUP CAMERA HOUSINGS 36

BCH0001	37
BCH0002	37

DOOR HARDWARE 38

DH0001	38
DH0002	38
DH0006	38
DH0007	39
DH0008	39
DH0011	39
DH0016 and -A	40
DH0017 and -A	40
DH0018 and -A	41
DH0019 and -A	41
DH0020 and -A	42
DH0022 and -A	42
DH0024	43
DH0025	43
DH0028	43
DH0029	44
DH0030	44
DH0031	44
DH0032	45
DH0033	45
DH0036	45
DH0041 and -A	46
DH0042	46
DH0043	47
DH0046	47

DH0050	48
DH0051	48
DH0052	49
DH0052-B	49
DH0053	50
DH0054	50
DH0058	51

ENCLOSED BOXES 51

EB0001	51
EB0002	52
EB0003	52
EB0004	52
EB0005	53
EB0006	53
EB0007	53
EB0008	54
EB0009	54
EB0010	55
EB0011	55
EB0012	56
EB0013	56
EB0014	57
EB0015	58
EB0016	59
EB0017	60

FIRE APPARATUS 60

FA0002	60
FA0004	61
FA0006	61
FA0012	62
FA0013	62
FA0018	62
FA0019	63
FA0020	63
FA0021	63
FA0026	64
FA0027	64
FA0028	64
FA0029	65
FA0031	65
FA0032	65
FA0035	66
FA0036	66
FA0040	67
FA0041	67
FA0042	68
FA0030	68
FA0037	69

FA0043	69	FUEL FILLER GUARDS	90	FG5704	117
FA0039	70	FG0001	90	FG6501	117
FA0044	70	FG0002-A	91	FGL0022 FGL0042 FGL0053	118
FA0045	71	FG0002-B	91	FGT0022 FGT0042 FGT0053	119
FA2002	71	FG0003	92		
FA2003	72	FG0006-2_Cyl_Lock	93	FLANGE RINGS	119
FA2004	72	FG0006-2_Friction	94	FR0001	120
FA2005	72	FG0501	95	FR0006	120
FA2006	73	FG0901	95	FR0009	120
FA2011-5 FA2011-5-A	73	FG1501	96	FR0010	121
FA4003	74	FG1801	96	FR0011	121
FA4004	74	FG2001	97	FR0012	121
FA4005	74	FG2101	97	FR0013	122
FA4007	75	FG2102	98	FR0014	122
FA4008	75	FG2103	98	FR0015	122
FA4010	75	FG2104	99	FR0021	123
FA4011	76	FG2201	99	FR0022	123
FA4012	76	FG2204	100	FR0025	123
FA4013	76	FG2205	100	FR0026	124
FA4014	77	FG2206	101	FR0027	124
FA4014-A	77	FG2207	102	FR0028	124
FA4015	78	FG2208	102	FR0029	125
FA4015-A	78	FG3001	103	FR0030	125
FA4016	79	FG3101	103	FR0041	125
FA4016-A	79	FG4101	103	FR0042	126
FA4018	80	FG4102	104	FR0043	126
FA5001	80	FG4103	104	FR0044	126
FA5002	81	FG4104	104	FR0045	127
FA5003	81	FG4201	105	FR0046	127
FC4002	82	FG4202	105	FR0047	127
FC4003	82	FG4204	106	FR0048	128
FC4004	82	FG4205	107	FR0049	128
FC4005	83	FG4501	108	FR0051	129
		FG4502	108	FR0052	129
FENDERETTES	83	FG4503	109	FR0054	130
FD1002	83	FG4504	109	FR1004	130
FD1004	83	FG5301	110	FR101294021	131
FD1005	84	FG5302	110	FR101294022	131
FD1006	84	FG5303	110		
FD1007	84	FG5304	111	FLANGES AND SPACERS	131
FD1008	85	FG5305	111	FS0002	132
FD1009	86	FG5306	112	FS0003	132
FD1010	86	FG5307	112		
FD1011	87	FG5308	112	GLOVE BOXES	133
FD1012	87	FG5309	113	PL1015	133
FD1013	88	FG5310	113	PL1016	134
FD1014	88	FG5501	113	PL1017	135
FD1015	89	FG5502	114		
FD1016	89	FG5503	114	HANDLES	136
FD1017	90	FG5504	115	HD0002	136
		FG5701	115	HD0005	136
		FG5703	116		

HD0007	136	LB0031	155	LH37101	175
HD0008	137	LB0032	155	LH37102	176
HD0009	137	LB0033	156	LH37104	176
HD0010	137	LB0034	156	LH37105	176
HD0011	138	LB0041-A	157	LH37106	177
HD0012	138	LB0041-B	158	LH37107	177
HD0013	138	LB0045	159	LH37108	177
HD0015	139	LB0048	159	LH37109	178
HD0016	139	LB0049-A	160	LH37110	178
HD0019	139	LB0049-B	160	LH37111	178
HD0020	140	LB0051 LB0052	161	LH37201	179
HD0022	140	LB0053 LB0054	161	LH37202	179
HD0027	140	LB0057 LB0058	162	LH37203	179
HD0028	141	LB0059 LB0060	163	LH37205	180
HD0029	141			LH37206	180
HD0030	141	LIGHT HOUSINGS	164	LH37208	180
HD0031	142	Weldon 1000 Series	164	LH37209	181
HD0035	142	LH0010	164	LH37210	181
HD0041	142	LH10101	164	LH37213	181
HD0045	143	LH10201	165	LH37214	182
HD0046	143	1" x 4" Marker Lights	165	LH37225 LH37226	182
HD0047	144	LH14701	165	LH37227 LH37228	183
HD0050 HD0051	144	LH14702	165	LH37229 LH37230	183
HD0052	145	Weldon 2000 series	166	LH37231 LH37232	184
HD0053	145	LH20101	166	LH37233 LH37234	185
HD4001-1	146	LH20103	166	LH37235 LH37236	186
HD4002-1	146	LH20104	167	LH37237 LH37238	187
		LH20105	167	LH37239 LH37240	188
IV HANGERS	146	LH20201	167	LH37241 LH37242	189
IV2001	147	LH20205	168	LH37243 LH37244	190
IV2002	147	LH20206	168	LH37245 LH37246	191
IV2007	148	Weldon 2030 Series	168	LH37247 LH37248	192
IV2008	149	LH23201	169	LH37251	193
		LH23202	169	LH37252	193
LIGHT BAR BRACKETS	149	LH23501	169	LH37253 LH37254	194
LB0004	150	Weldon 3020 Series	170	LH37301	194
LB0005	150	LH32101	170	LH37501	194
LB0006	150	LH32102	170	LH37502	195
LB0011	151	LH32201	171	LH37607	195
LB0013	151	LH32301	171	LH37611	195
LB0019	151	3 x 4 Light Housings	171	LH37612	196
LB0020	152	LH34203	172	LH37620	196
LB0021	152	LH34M4701 LH34M4702	172	LH37621	196
LB0022	152	LH35101	173	LH37630	197
LB0023	153	LH35202	173	LH37631	197
LB0024	153	LH35603	173	LH37632	197
LB0025-A	153	LH35604	174	LH37633	198
LB0025-B	154	LH35703	174	LH37638	198
LB0026	154	LH35704	174	LH37639	198
LB0028	154	LH35709 LH35710	175	LH37640	199
LB0029	155	3" x 7" Light Housings	175	LH37641	199
		LH37008	175	LH37642	199

LH37643	200	LH37792 LH37793	222	LH52001	240
LH37646	200	LH37794 LH37795	222	LH52501	240
LH37647	200	LH37796 LH37797	223	LH52503	241
LH37650 LH37651	201	LH37798 LH37799	223	LH52605 LH52606	241
LH37656 LH37657	201	LH37M101	224	LH52609 LH52610	242
LH37658 LH37659	201	LH37M601 LH37M602	224	LH52611 LH52612	242
LH37662 LH37663	202	LH37M705 LH37M706	225	LH52615 LH52616	243
LH37664 LH37665	202	4" x 6" Light Housings	225	LH52617 LH52618	243
LH37666 LH37667	203	LH46001	225	LH52619 LH52620	244
LH37668 LH37669	203	LH46103	226	LH52621 LH52622	244
LH37670 LH37671	204	LH46104	226	LH52623 LH52624	245
LH37672 LH37673	204	LH46105	226	LH52625 LH52626	245
LH37674 LH37675	205	LH46106	227	LH52627 LH52628	246
LH37676 LH37677	205	LH46107	227	LH52703	246
LH37678 LH37679	206	LH46109	227	LH52704	247
LH37701	206	LH46110	228	LH52707 LH52708	247
LH37702	207	LH46111	228	LH52709 LH52710	248
LH37703	207	LH46112	228	LH52711 LH52712	248
LH37712	207	LH46113	229	LH52713 LH52714	249
LH37713	208	LH46114	229	LH52715 LH52716	249
LH37722	208	LH46115	229	LH52717 LH52718	250
LH37723	208	LH46116	230	LH52719 LH52720	250
LH37734	209	LH46117	230	5" x 8" Light Housings	251
LH37735	209	LH46118	230	LH58201	251
LH37736	209	LH46119	231	7" x 9" Light Housings	251
LH37737	210	LH46120	231	LH79101	251
LH37738	210	LH46121	231	LH79102	251
LH37739	210	LH46122	232	LH79103	252
LH37744	211	LH46123	232	LH79104	252
LH37745	211	LH46124	232	LH79105	252
LH37746 LH37747	211	LH46125	233	LH79106	253
LH37748 LH37749	212	LH46126	233	LH79107	253
LH37750 LH37751	212	LH46127	233	LH79108	253
LH37752 LH37753	212	LH46128	234	LH79110	254
LH37754 LH37755	213	LH46129	234	LH79201	254
LH37756 LH37757	213	LH46130	234	LH79202	254
LH37758 LH37759	213	LH46131	235	LH79205	255
LH37762 LH37763	214	LH46132	235	LH79207	255
LH37764 LH37765	214	LH46201	235	LH79209	255
LH37766 LH37767	215	LH46202	236	LH79210	256
LH37768 LH37769	215	LH46301	236	LH79211	256
LH37770 LH37771	216	LH46501	236	LH79215 LH79216	256
LH37772 LH37773	216	LH46502	237	LH79217 LH79218	257
LH37774 LH37775	217	LH46601	237	LH79219 LH79220	257
LH37776 LH37777	217	LH46602	237	LH79221 LH79222	258
LH37778 LH37779	218	LH46603	238	LH79223 LH79224	259
LH37780 LH37781	218	LH46604	238	LH79225 LH79226	259
LH37782 LH37783	219	LH46707	238	LH79227 LH79228	260
LH37784 LH37785	219	LH46708	239	LH79229 LH79230	260
LH37786 LH37787	220	LH46709	239	LH79301	261
LH37788 LH37789	221	LH46710	239	LH79302	261
LH37790 LH37791	221	2" x 5" Light Housings	240	LH79304	261

LH79311	262
Misc. Lights	262
LH90201	262
LH90301	262
LH90405	263
LH90504	263
LH90603	263
LH90902	264
LH91102	264
LH91201	264
LH91203	265
LH91401	265

LICENSE PLATE HOLDERS

265

LP0002	265
LP0002-C	266
LP0004	266
LP0004-B	267
LP0005	267
LP0005-C	268
LP0007	268
LP0009	269
LP0013	269
LP0014	270

MODULAR CORNERS

270

MC0001	270
MC0003	271
MC0005	271
MC0010	271
MC0011	272
MC0017	272
MC0021	272
MC0023	273
MC0026	273
MC0027	273
MC0028	274
MC0033	274
MC0037	274
MC0052	275
MC0061	275
MC0063	275
MC0071	276
MC0075	276
MC0076	276
MC0077	277
MC0079	277
MC0080	277
MC0083	278
MC0089	278

MC0090	278
MC0091	279
MC0094	279
MC0096	280
MC0097	280
MC0098	281
MC0099	281
MC0101	282
MC0102	282
MC0103	283
MC0104	283
MC51145	284

OXYGEN CYLINDER ACCESSORIES

284

OA0002	284
OA0003	284
OA0004	285
OA0005	285
OA0006	285
OA0007	286
OA0008	286
OA0009	286
OA1101 OA1102 OA1103 OA1107	287
OA1104 OA1105	288
OA1201 OA1202	289
OA1205	290

RUBBER GASKETS

291

RG0005	291
RG0007	291
RG0013	291
RG0014	292
RG0015	292
RG0016	292
RG0017	293
RG0020	293
RG0021	293
RG0025	294
RG0026	294
RG0030	294
RG0033	295
RG0034	295
RG0035	295
RG0036	296
RG0037	296
RG0040	296
RG0043	297
RG0048	297
RG0050	297
RG0057	298

RG0063	298
RG0064	298
RG0076	299
RG0077	299
RG0078	299
RG0079	300
RG0080	300
RG0081	300

RUB RAIL END CAPS

301

RR0001	301
RR0007	301
RR0010	301
RR0012	302
RR0013	302
RR0014	302
RR0024	303
RR0027	303
RR0034	303
RR0035 RR0036	304
RR0037 RR0038	304
RR0040 RR0041	305
RR0042	305
RR0043	306
RR0044	306
TRR0002	307

SIREN SPEAKERS

307

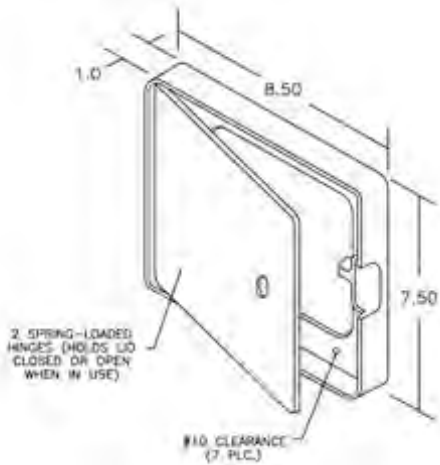
SA1000 Series	307
SA1502	307
SA2000 Series	308
SA2201	308
SA2301	308
SA2208	308
SA2401	309
SA2403	309
SA2405	309
SA3203	310
SA3000 Series	310
SA3501	310
SA3502	310
SA3503	311
SA3504	311
SA3801	312
SAD3201 SAP3201	312
SAD3801 SAP3801	313
SAD3802 SAP3802	313
SAD3803 SAP3803	314
SA3804	314
SAD3805 SAP3805	315
SAD3806 SAP3806	315

SAD3807 SAP3807	316	SA6114	336	SP2024	361
SAD3808 SAP3808	316	SA6117	337	SP2025	361
SAD3809 SAP3809	317	SA6118	338	SP2026	361
SAD3810 SAP3810	317	SA6300	339	SP2027	362
SAD3811 SAP3811	318	SAD6007 SAP6007	339	SP2028	362
SAD3813 SAP3813	318	SAD6301 SAP6301	340	SP2029	362
SAD3815 SAP3816	319	SAD6302 SAP6302	340	SP2030	363
SAD3819 SAP3820	319	SAD6303 SAP6303	341	SP2032	363
SAD3821 SAP3822	320	SA7000 Series	341	SP2033	363
SAD3823 SAP3824	320	SA7001	341	SP2034	364
SAD3826 SAP3825	321	SA7001-A	342	SP2035	364
SAD3827 SAP3828	321	SA7003	342	SP2036	365
SAD3829 SAP3830	322	SA7004	343	SP2037	365
SA4000 Series	322	SA7006	343	SP2038	366
SA4201	322	SA7007	343	SP2041	366
SA4204	323	SA7010	344	SP2042	367
SA4206	323	SA7011	344	SP2043	367
SA4208	323	SA7101	345	SP2701	368
SA4209	324	SH0001	346	SP2702	368
SA4210	324			SP2901	369
SA4225	325	STEPS	346	SP3001	369
SA4226	325	SP0003	346	SP3002	370
SA4227	326	SP0004	347	SP3003	370
SA4301	326	SP2001	347	SP4301	370
SA4303	327	SP2002	347	SP4401	371
SA4305	327	SP2003	348	SP4410	371
SA4306	327	SP2003-B	348	SP4500	372
SA4310	328	SP2004	349	SP6610	372
SA4311	328	SP2004-D	349		
SA4316	328	SP2004-TB	350	SHELF SUPPORTS	373
SA4317	329	SP2006	350	SS0001	373
SA4401	329	SP2006-B	351	SS0001-A -B -C -D -E	373
SA4402	329	SP2007	351	SS0002	374
SAD4302 SAP4302	330	SP2007-B	352	SS0003	374
SAD4307 SAP4307	330	SP2008	352	SS0004	374
SAD4308 SAP4308	330	SP2009	353	SS0005	375
SAD4309 SAP4309	331	SP2009-B	353	SS0007	375
SAD4312 SAP4312	331	SP2010	354	SS0014	375
SAD4314 SAP4314	331	SP2010-B	354	SS0018	376
SAD4318 SAP4318	332	SP2011	355	SS0019	376
SAD4319 SAP4319	332	SP2011-C	355	SS0022	376
SAD4321	333	SP2012	356	SS0025	377
SA5000 Series	333	SP2012-D	356	SS0028	377
SA5403	333	SP2013	357	SS0031	377
SA5414	334	SP2013-B	357	SS0034	378
SA5501	334	SP2014	358	SS0037	378
SAD5401 SAP5401	334	SP2014-B	358	SS0038	379
SA6000 Series	335	SP2016	359	SS0039	379
SA6004	335	SP2016-B	359	SS0040	380
SA6011	335	SP2017	360	SS0041	380
SA6016	336	SP2018	360	TA4100	381
SA6113	336	SP2023	360		

TMC0024	381	TMC1048	398	STH2024	406
TMC0027	382	TMC1049	398	STH2025	407
TMC0053	382	TMC1050	399	STH2026	407
TMC0054	383			STH2027	408
TMC0056	383	STRETCHER CUPS	399	STH2028	408
TMC0058	384	STC0001	399	STH2029	409
TMC0060	384	STC0002	400		
TMC0062	385	STC0004	400	VENT COVERS	409
TMC0069	386	STC0005	400	VC0001	409
TMC0086	386	STC0006	401	VC0002	410
TMC0090	387	STC0008	401	VC0003	410
TMC1007	388	STC0014	401	VC0004	410
TMC1008	388	STC0017	402	VC0007	411
TMC1009	389	STC0019	402		
TMC1010	389			LED LIGHTS AND	
TMC1012	390	STRETCHER HANGERS	403	ACCESSORIES	411
TMC1025	391	STH2001 thru STH2009	403	WL0501 series LED lights and	
TMC1026	392	STH2010 thru STH2017	403	accessories	412
TMC1027	393	STH2018	404		
TMC1039	393	STH2019	404	WARRANTY AND RETURNS	
TMC1040	394	STH2020	404		413
TMC1043	395	STH2021	405		
TMC1044	396	STH2022	405	INDEX	
TMC1045	397	STH2023	406		414
TMC1046	397				

Access Doors

AD0001

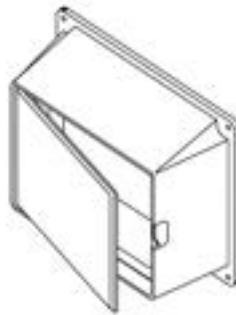
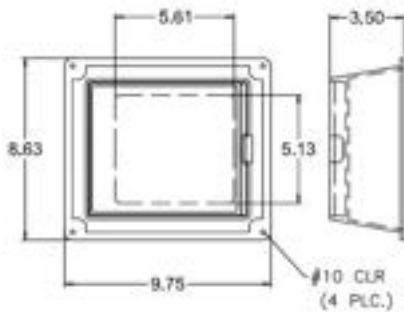


AD0001

Access Door with Hinged Flange

- 1) All concealed mounting hardware and hinges.
- 2) Finish: outside flange - polished. lid - 120 grit directional ground.
- 3) Optional 3/4" hole for cylinder lock (customer specify). Lock not provided.

AD0002

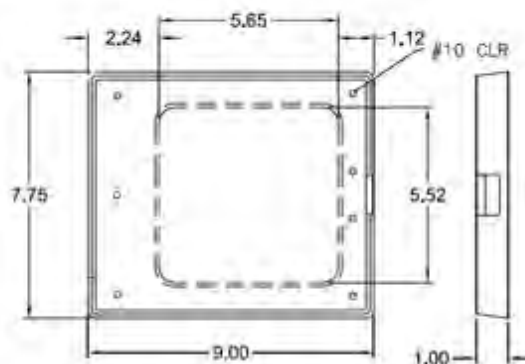


AD0002

Deep Access Door with Hinged Flange

- 1) Concealed hinges.
- 2) Finish: outside flange - polished. lid - 120 grit directional ground.
- 3) Optional 3/4" hole for cylinder lock (customer specify). Lock not provided.

AD0003

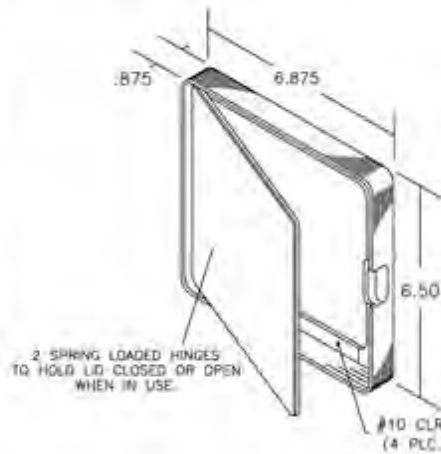


AD0003

Access Door with Hinged Flange and Gasket Seal

- 1) All concealed hardware and hinges.
- 2) Finish: outside flange - polished. lid - 120 grit directional ground.
- 3) Product sold with Southco 100 Series lock installed.

AD0004

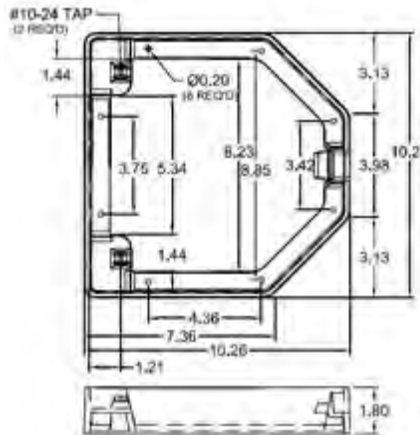


AD0004

Access Door with Hinged Flange

- 1) All concealed mounting hardware and hinges.
- 2) Finish: outside flange - polished, lid - 120 grit directional ground.
- 3) Non-locking design.

AD0005

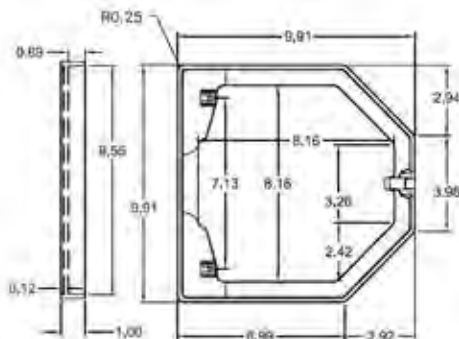


AD0005

Access Door with Hinged Flange for O₂ Bottle Compartment

- 1) All concealed mounting hardware and hinges.
- 2) Finish: outside flange - polished, lid - 120 grit directional ground.
- 3) Will accept up to an 8" diameter Oxygen bottle.
- 4) Slam - Lock design.

AD0006

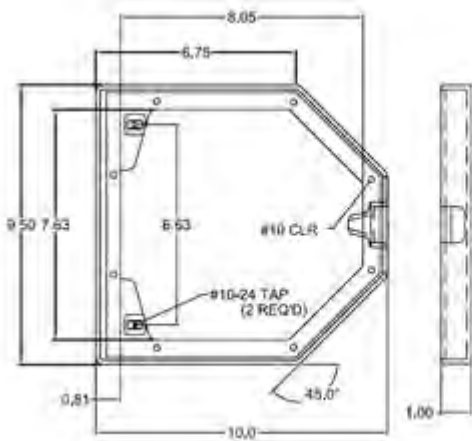


AD0006

Access Door with Hinged Flange for O₂ Bottle Compartment

- 1) All concealed mounting hardware and hinges.
- 2) Finish: outside flange - polished, lid - 120 grit directional ground.
- 3) Will accept up to an 8" diameter Oxygen bottle.
- 4) Slam - Lock design.

AD0007



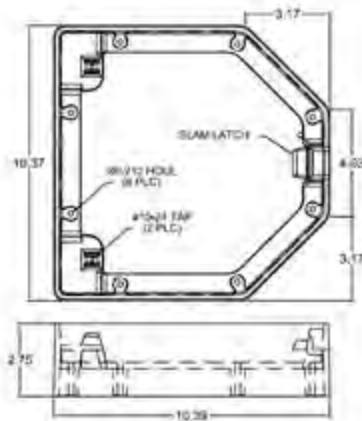
AD0007

Access Door with Hinged Flange for O₂ Bottle Compartment

- 1) All concealed mounting hardware and hinges.
- 2) Finish: outside flange - polished. lid - 120 grit directional ground
- 3) Will accept up to an 8" Oxygen bottle.

m - Lock design.

AD0008

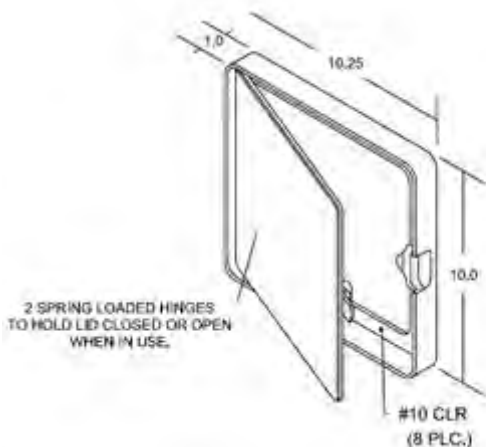


AD0008

Access Door with Hinged Flange for O₂ Bottle Compartment

- 1) All concealed mounting hardware and hinges.
- 2) Finish: outside flange - polished. lid - 120 grit directional ground
- 3) Will accept up to an 8" Oxygen bottle.
- 4) Slam - Lock design.

AD0009



AD0009

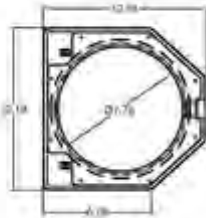
Access Door with Hinged Flange

- 1) All concealed mounting hardware and hinges.
- 2) Finish: outside flange - polished. lid - 120 grit directional ground.
- 3) Slam - Lock design.

AD0010

AD0010

O₂ Bottle Door with 1 3/4" Thick Flange (8" Tube)

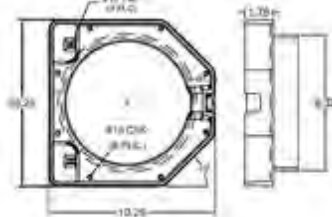
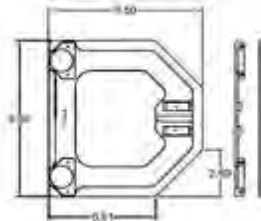


- 1) All concealed mounting hardware and hinges.
- 2) Finish: outside flange - polished, lid - 120 grit directional ground.
- 3) Designed for aiding in the construction of the oxygen bottle compartments by welding the 8" aluminum tube (1/8" thick wall) to the backside of the flange.
- 4) Slam - Lock design,

AD0011

AD0011

Polished O₂ Bottle Door with 1 3/4" Thick Flange (8" Tube)

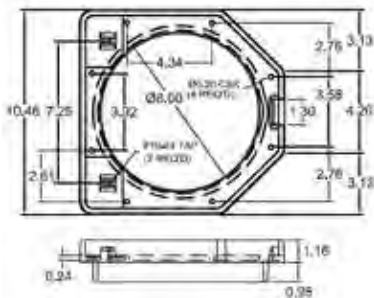


- 1) All concealed mounting hardware and hinges.
- 2) Finish: outside flange & lid - polished .
- 3) Designed for aiding in the construction of the oxygen bottle compartments by welding the 8" aluminum tube (1/8" thick wall) to the backside of the flange.
- 4) Slam - Lock design

AD0012

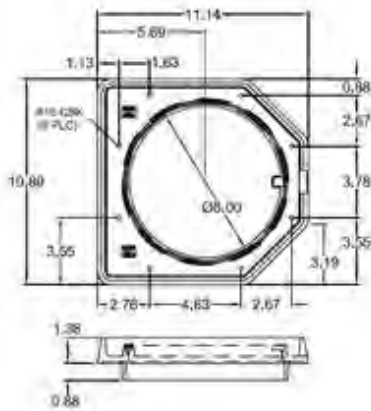
AD0012

O₂ Bottle Door with 1 1/8" Thick Flange (8" Tube)



- 1) All concealed mounting hardware and hinges.
- 2) Finish: outside flange & lid - polished
- 3) Designed for aiding in the construction of the oxygen bottle compartments by welding the 8" aluminum tube (1/8" thick wall) to the backside of the flange.
- 4) Slam - Lock design,

AD0013

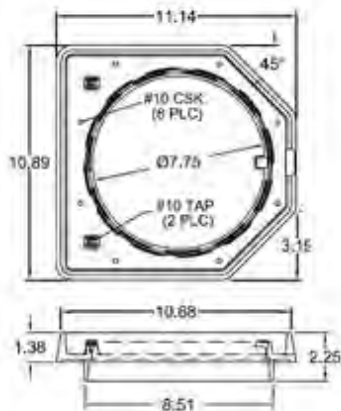


AD0013

O2 Bottle Door with 1 3/8" Thick Flange (8" PVC Tube)

- 1) All concealed mounting hardware and hinges.
- 2) Finish: outside flange - polished. lid - 120 grit directional ground.
- 3) Designed for aiding in the construction of the oxygen bottle compartments by attaching the 8" PVC tube to the backside of the flange.
- 4) Product sold with Southco adjustable lever latch installed.

AD0014

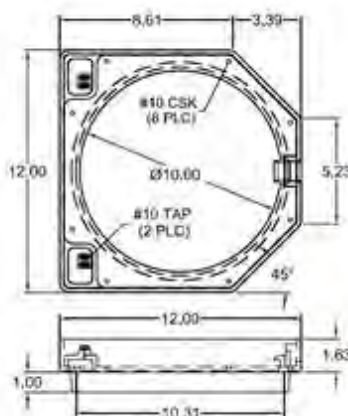


AD0014

O2 Bottle Door with 1 3/8" Thick Flange (8" Tube)

- 1) Mounting hardware and hinges - concealed
- 2) Finish: outside flange - polished. lid - 120 grit directional ground
- 3) Designed for aiding in the construction of the oxygen bottle compartments by welding 8" aluminum tube (1/8" thick wall) to the backside of the flange.
- 4) Constructed with 1/4" cord gasket to help seal the tube from dust, etc.
- 5) Product sold with Southco adjustable lever latch installed.

AD0015

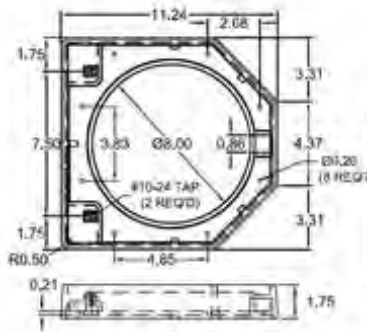


AD0015

O2 Bottle Door with 1 5/8" Thick Flange (10" diameter tube)

- 1) All concealed mounting hardware and hinges.
- 2) Finish: outside flange - polished. lid - 120 grit directional ground.
- 3) Designed for aiding in the construction of the oxygen bottle compartments by welding the 10" ID (10 1/4" OD) aluminum tube to the backside of the flange.
- 4) Slam - Lock design.

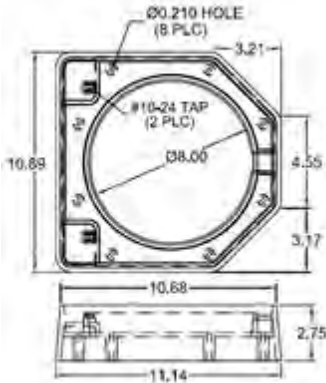
AD0016



AD0016 O₂ Bottle with 1 3/4" Thick Flange (8" diameter tube)

- 1) All concealed mounting hardware and hinges.
- 2) Finish: outside flange - polished, lid - 120 grit directional ground.
- 3) Designed for aiding in the construction of the oxygen bottle compartments.
- 4) Product sold with Southco adjustable lever latch installed.

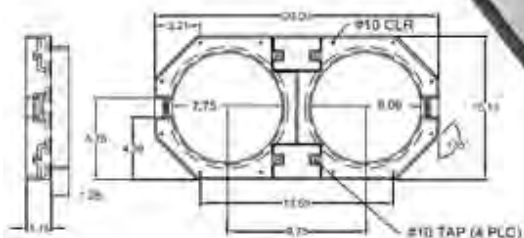
AD0017



AD0017 O₂ Bottle with 2 3/4" Thick Flange (for 8" tube)

- 1) All concealed mounting hardware and hinges.
- 2) Finish: outside flange & lid - polished.
- 3) Constructed with 1/4" cord gasket to help seal tube from dust, etc...
- 4) Product sold with Southco adjustable lever latch installed.

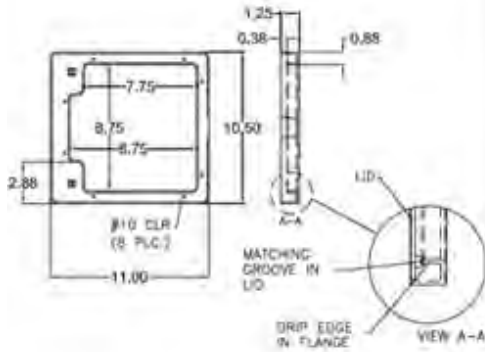
AD0018



AD0018 Double O₂ Bottle with 1 3/4" Thick Flange (8" tube)

- 1) All concealed mounting hardware and hinges.
- 2) Finish: outside flange - polished, lid - 120 grit directional ground.
- 3) Designed for aiding in the construction of the oxygen bottle compartments by welding the 8" aluminum tube (1/8" thick wall) to the backside of the flange.
- 4) Slam - Lock design.

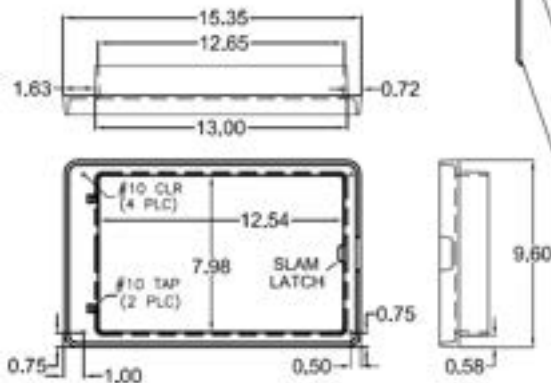
AD0019



AD0019 Fill Tower Cap Door with Hinged Flange

- 1) All concealed mounting hardware and hinges.
- 2) Finish: outside flange - polished, lid - 120 grit directional ground.
- 3) Designed to mount on a flat, horizontal surface and with a drip rail on the inside to help keep water out.

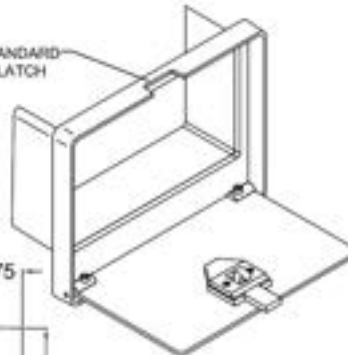
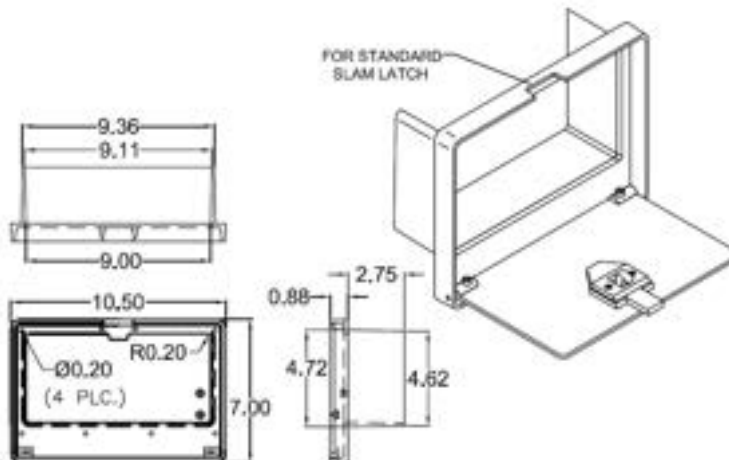
AD0020



AD0020 Access Door with Hinged Flange

- 1) All concealed mounting hardware and hinges.
- 2) Finish: outside flange - polished, lid - 120 grit directional ground.
- 3) Slam - Lock design.

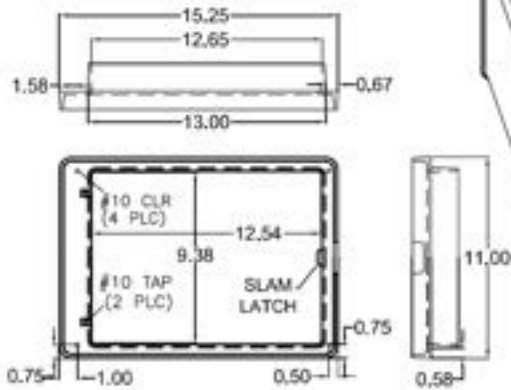
AD0021



AD0021 Access Door with Hinged Flange

- 1) All concealed mounting hardware and hinges.
- 2) Finish: outside flange - polished, lid - 120 grit directional ground.
- 3) Slam - Lock design.

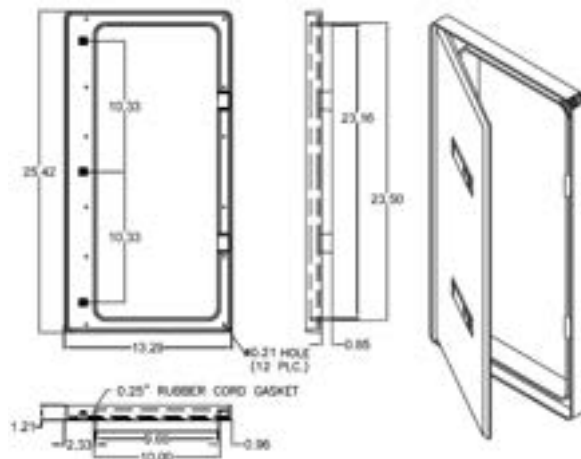
AD0022



AD0022 Access Door with Hinged Flange

- 1) All concealed mounting hardware and hinges.
- 2) Finish: outside flange - polished. lid - 120 grit directional ground.
- 3) Slam - Lock design.

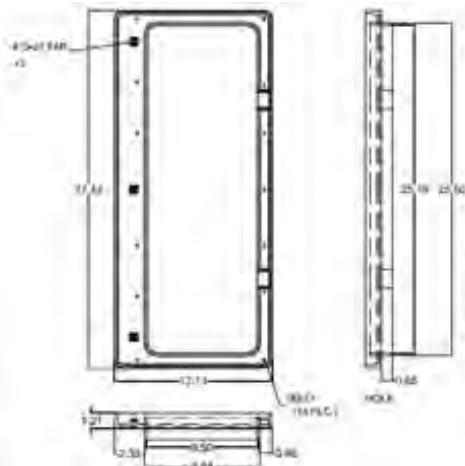
AD0023



AD0023 Access Door with seal and Lever Latch

- 1) All concealed mounting hardware and hinges.
- 2) Finish: outside flange - polished. lid - 120 grit directional ground.
- 3) Southco adjustable lever latch.

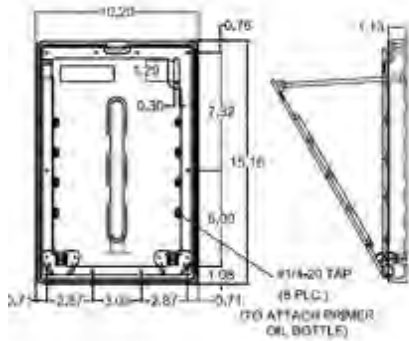
AD0025



AD0025 Triple O₂ Bottle Door w/ lid & Lever Latches

- 1) All concealed mounting hardware and hinges.
- 2) Finish: outside flange - polished. lid - 120 grit directional ground.
- 3) Constructed with 1/4" cord gasket to seal from dust, etc.
- 4) Product sold with 2 Southco adjustable lever latches installed.

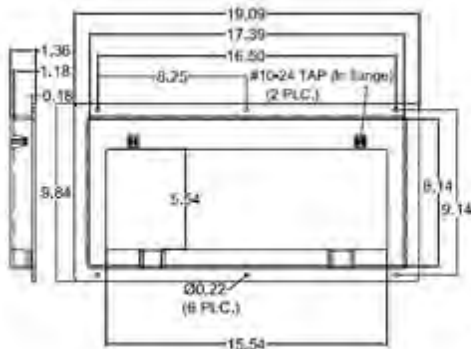
AD0026



AD0026 Oil Primer Bottle Door w/ Hinged Flange

- 1) All concealed mounting hardware and hinges.
- 2) Finish: outside flange - polished. lid - 120 grit directional ground.
- 3) Designed with "sight glass" opening for Fill level and will open 30° for easy filling of bottle.
- 4) Designed for use with the Hale Fire Pump Primer Bottle.
- 5) Product sold with Southco adjustable lever latch installed.

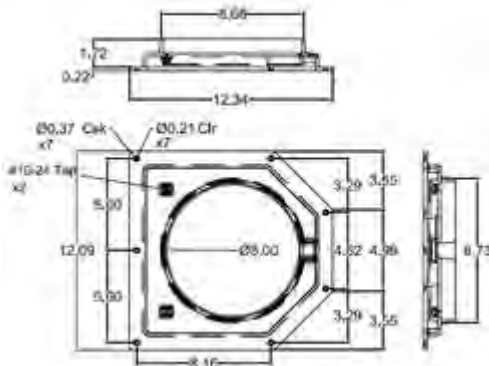
AD0027



AD0027 Recessed Access Door with Lever Latch

- 1) All concealed mounting hardware and hinges.
- 2) Finish: outside flange - polished. lid - 120 grit directional ground.
- 3) Product sold with 2 Southco adjustable lever latches installed.
- 4) Gasket seal around interior lip.

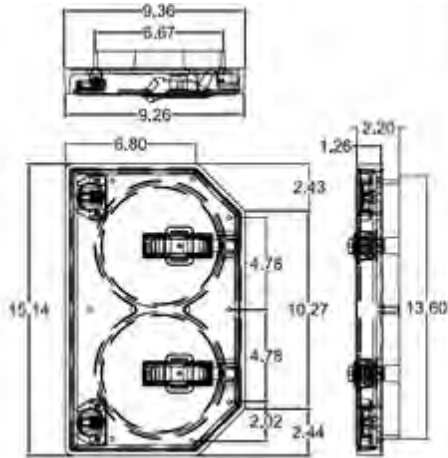
AD0028



AD0028 Recessed Access Door with Lever Latch

- 1) All concealed mounting hardware and hinges.
- 2) Finish: outside flange - polished. lid - 120 grit directional ground.
- 3) Constructed with 1/4" cord gasket to help seal from dust, etc.
- 4) Designed with 8" access hole in flange.
- 5) Product sold with Southco adjustable lever latch installed.

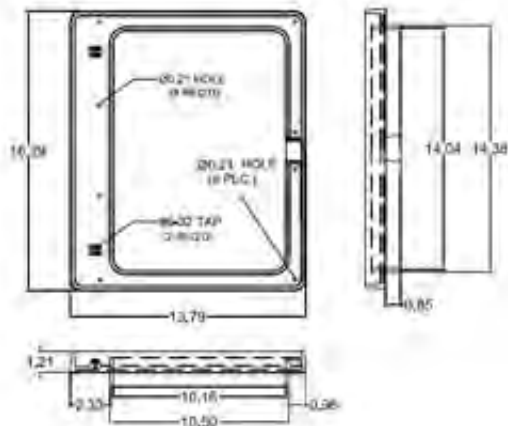
AD0029



AD0029 Dual Access Door with Lever Latch

- 1) All concealed mounting hardware and hinges.
- 2) Finish: outside flange - polished. lid - 120 grit directional ground.
- 3) Designed with two 6" access holes in flange.
- 4) Product sold with 2 Southco adjustable lever latches installed.

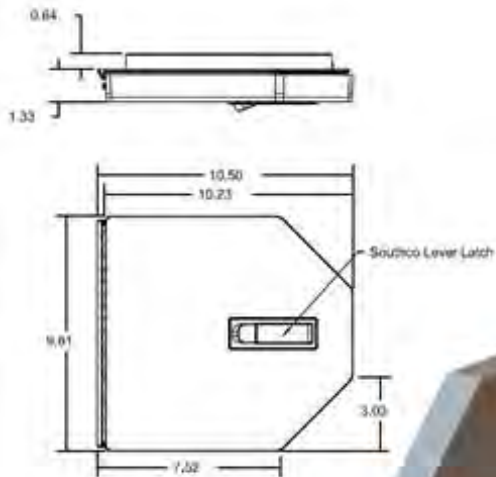
AD0030



AD0030 Ladder Control Door with Lever Latch

- 1) All concealed mounting hardware and hinges.
- 2) Finish: outside flange - polished. lid - 120 grit directional ground.
- 3) Constructed with 1/4" cord gasket to help seal from dust, etc.
- 4) Product sold with Southco adjustable lever latch installed.

AD0032

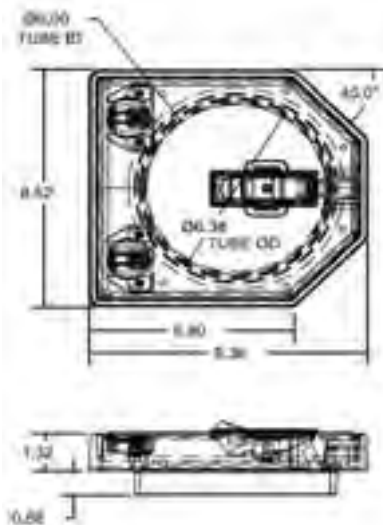


AD0032

Access Door w/
Polished Lid, Lever
Latch, Lid Gasket and
Tube Flange (Tube =
7.75" ID x 8.06" OD)

- 1) All concealed mounting hardware and hinges.
- 2) Finish; outside flange is polished. Lid is polished.
- 3) Sold with Southco Lever Latch Installed and .25" Rubatex Gasket for Lid.

AD0034



AD0034

Access Door
Flange and Lid
(for 6" ID Tube)

- 1) All concealed mounting hardware and hinges.
- 2) Finish; outside flange is polished, Lid is 120 grit directional ground.
- 3) Uses Southco Std. Lever Latch.
- 4) For 6" ID x 6 5/16" OD Tube.

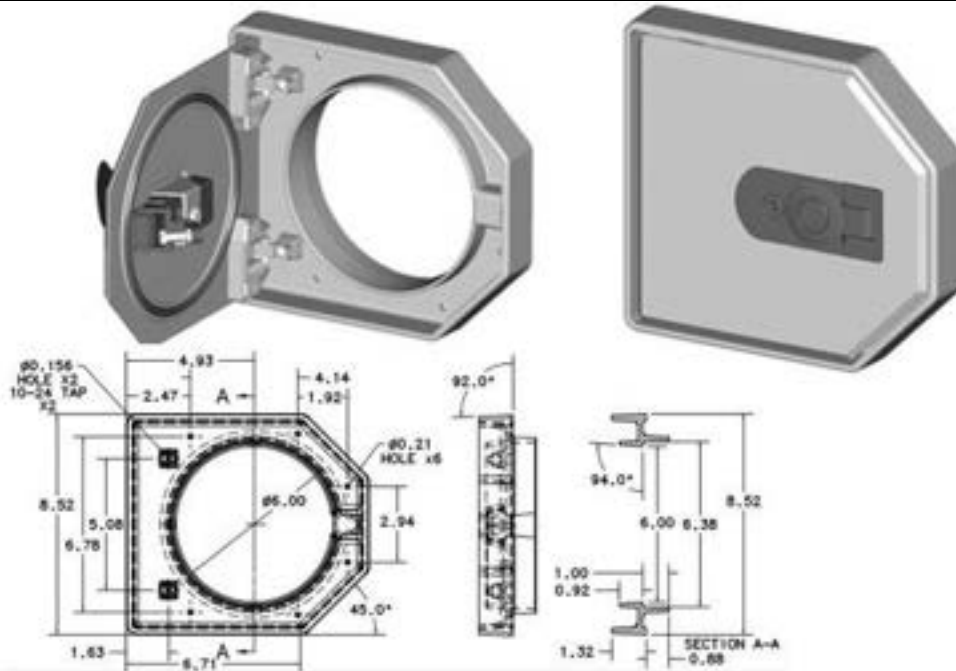
AD0035



AD0035
Access Door
Flange and Lid
(for 7.6" ID x 8.00"
OD Tube)

- 1) All concealed mounting hardware and hinges.
- 2) Finish: outside flange is polished. Lid is 120 grit directional ground.
- 3) Uses Southco Std. Lever Latch.
- 4) For 7.60" ID x 8" OD Tube.

AD0037

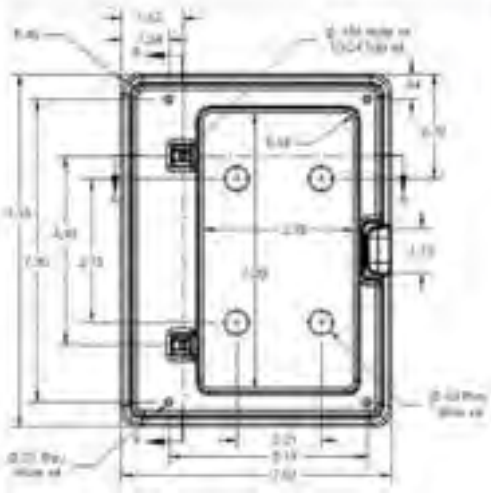


AD0037
Access Door Flange
and Lid (for 6" ID x
6.375" OD Tube)

- 1) Finish: Exterior flange is polished. Lid is 120 grit directional ground.
- 2) All concealed mounting hardware and hinges.
- 3) Uses standard Southco weatherproof Lever latch. Also available with standard Southco lever latch.
- 4) Standard 1/4" cord gasket with lid.
- 5) For 6" ID x 6.375" OD Pipe or Tube.

AD0040

**AD0040
Switch Box Assembly - Mounting
Flange / Box and Lid**



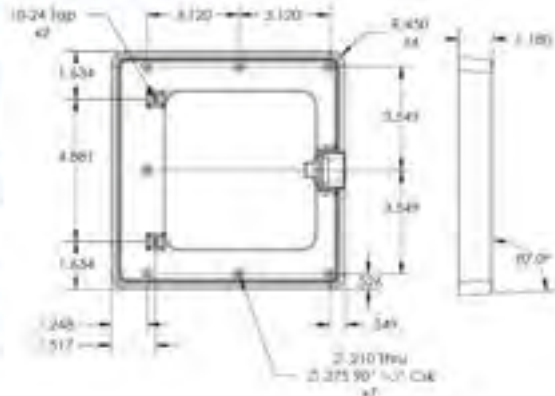
- 1) Finish: Ball-burnished w/ Exterior flange polished, Lid is 120 grit directional ground.
- 2) All concealed mounting hardware and hinges.
- 3) Uses standard Southco weatherproof Lever latch.

AD0042, AD0042-C, AD0042-L

**AD0042-1, -C & -L
Access Door Flange
and Lid: plain, keyed
cylinder or Lift-n-Turn**



- 1) Finish: Exterior flange is polished. Lid is 120 grit directional ground.
- 2) All concealed mounting hardware and hinges.
- 3) Used with plain lid (self-closing hinges), with 3/4" keyed cylinder lock or Lift-n-Turn Compression Latch.



AD2001



AD2001 Stainless Access Door Flange, Lid and Rotary molded tube.

- 1) All concealed mounting hardware. Stainless Piano Hinge.
- 2) Thick Rubber Gasket for sealing Flange to Lid. Rubber Gasket for mounting to rear of Rotary molded SCBA tube.
- 3) Nylon Safety Strap included.
- 4) provided with two .50" holes in flange (with plastic plugs) for door open switches (not included).
- 5) 8" ID Rotary Molded Tube.

Options:
Lid: Brushed or polished finish.
Chrome Latch: with or w/o key.
Painted Grey Latch: with or w/o key.
Weatherproof Latch: with or w/o key.



AD2002



AD2002 Double Stainless Access Door Flange, Lid and Rotary molded double tube.

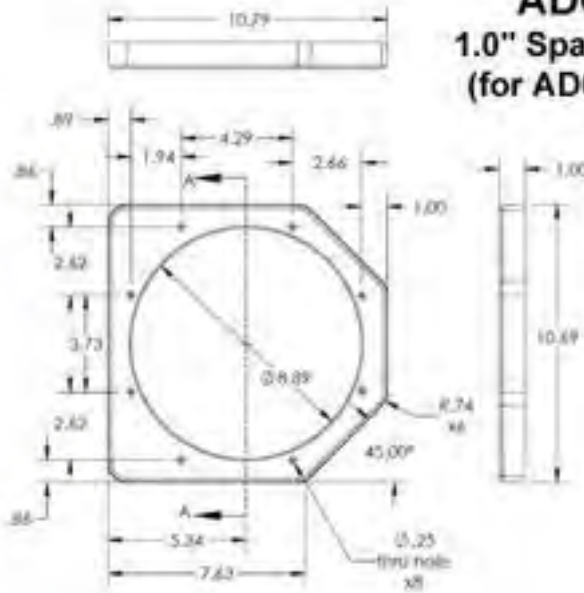
- 1) All concealed mounting hardware. Stainless Piano Hinge.
- 2) Thick Rubber Gasket for sealing Flange to Lid. Rubber Gasket for mounting to rear of Rotary molded SCBA tube.
- 3) Nylon Safety Strap included.
- 4) provided with two .50" holes in flange (with plastic plugs) for door open switches (not included).
- 5) 8" ID Rotary Molded Double-Tube.

Options:
Lid: Brushed or polished finish.
Chrome Latch: with or w/o key.
Painted Grey Latch: with or w/o key.
Weatherproof Latch: with or w/o key.



Access Door Miscellaneous

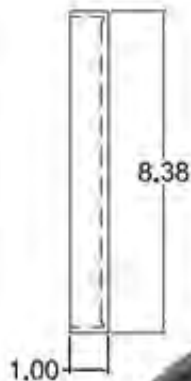
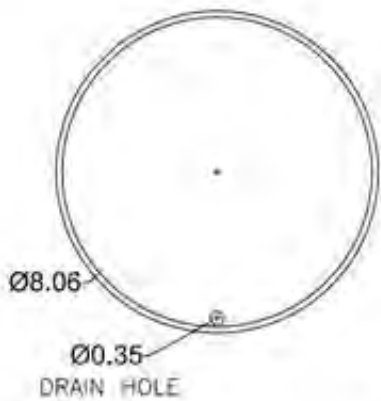
ADC0141



ADC0141
1.0" Spacer Casting
 (for AD0035 Assy)

1) Finish: Exterior flange is polished.

ADM0001



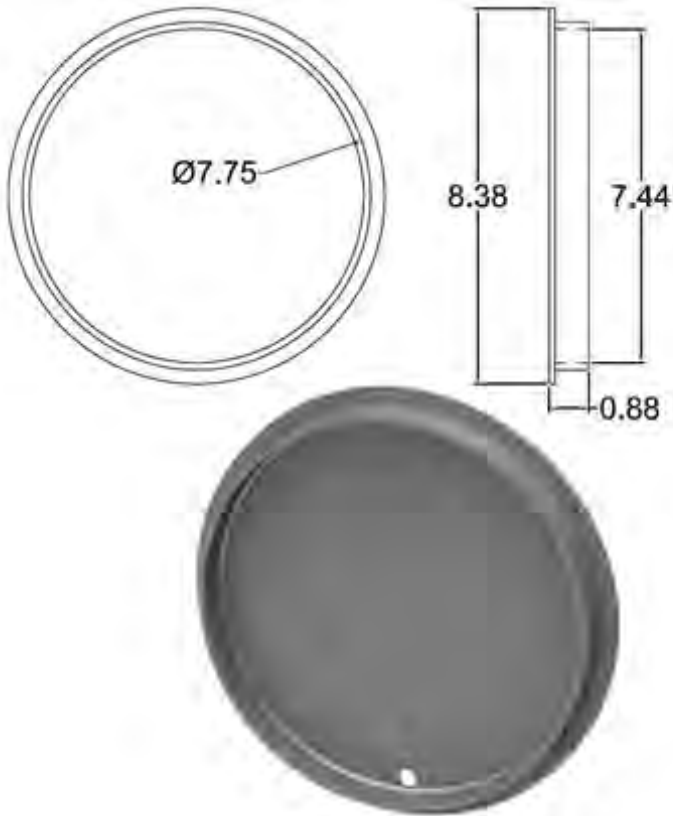
ADM0001

8" Tube Cap with Drain Hole

- 1) Finish: bead blasted (light gray).
- 2) Designed for aiding in the construction of the oxygen bottle compartments by welding the 8" aluminum tube (1/8" thick wall) to the cap.



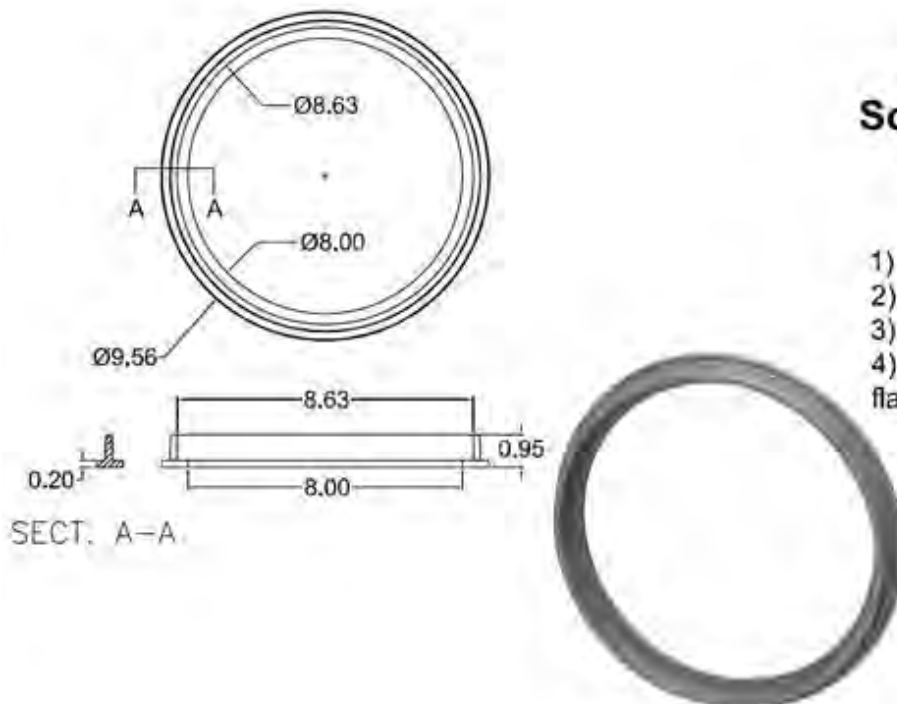
ADM0002



ADM0002 **8" Tube Cap**

- 1) Finish: Bead - Blasted (Light Gray).
- 2) Designed for aiding in the construction of the oxygen bottle compartments by attaching the 8" PVC tube to the cap.

ADM0004

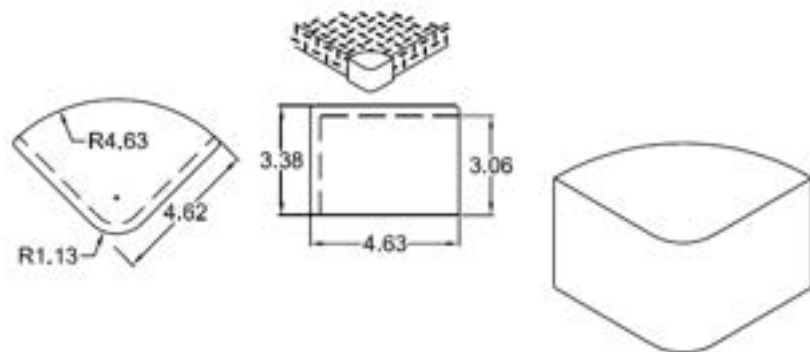


ADM0004 **Adapter Ring for** **Schedule 40 PVC Pipe** **- 8 5/8" OD x 8" ID**

- 1) Finish: Wheel - a - Brated.
- 2) Fits to Schedule 40 PVC pipe.
- 3) Fitted with rivets or glue.
- 4) Use with AD0016 Access flange and door.

Bumper Corners

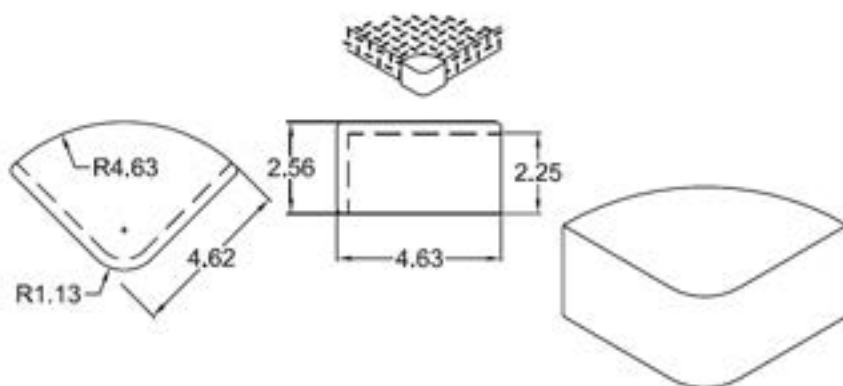
BC0001



BC0001 Bumper Corner Cover

- 1) Finish: Bright polished.
- 2) Preferred method of installation: Tack weld from underneath.
- 3) Nominal thickness of 1/4".

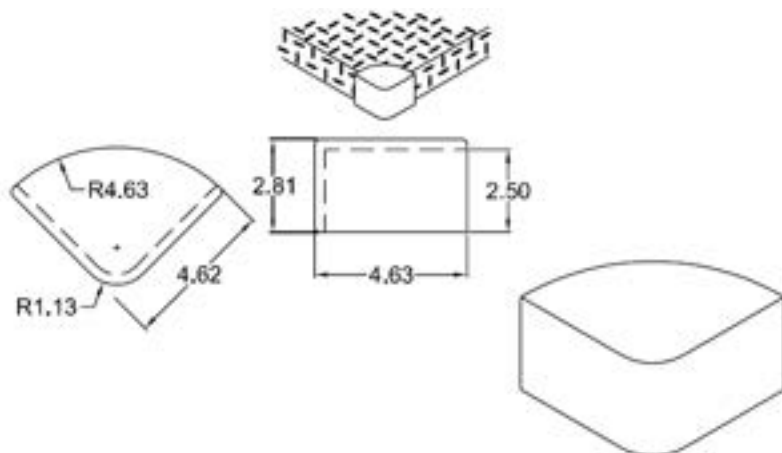
BC0002



BC0002 Bumper Corner Cover

- 1) Finish: Bright Polished.
- 2) Preferred Installation: Tack weld from underneath.
- 3) Nominal Thickness of 1/4".

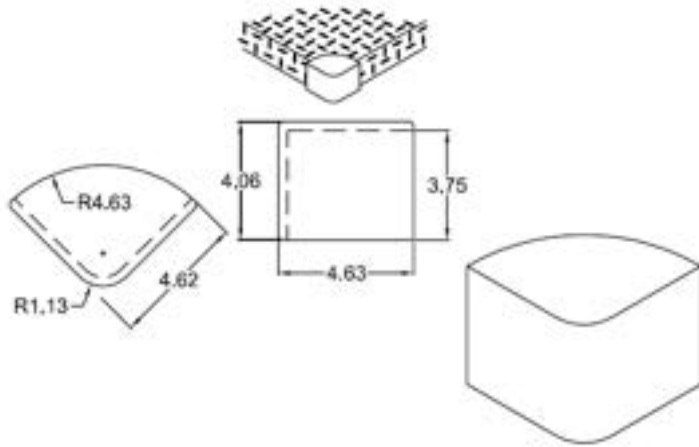
BC0003



BC0003 Bumper Corner Cover

- 1) Finish: Bright Polished.
- 2) Preferred Installation: Tack weld from underneath.
- 3) Nominal Thickness of 1/4".

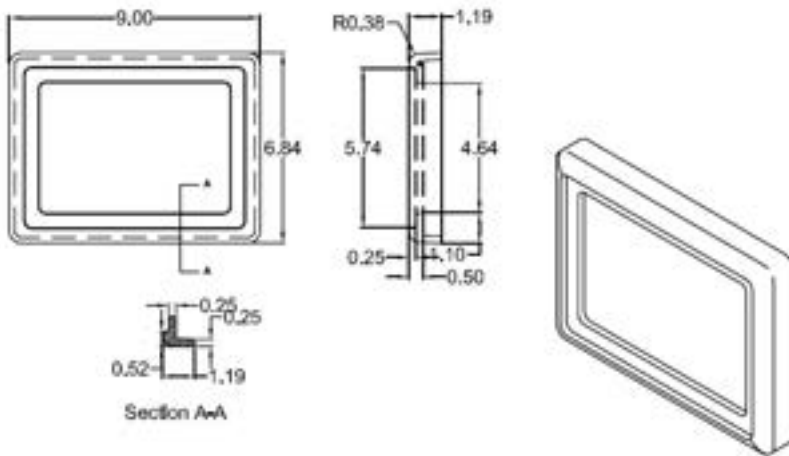
BC0006



BC0006 Bumper Corner Cover

- 1) Finish: Bright Polished.
- 2) Preferred Installation: Tack weld from underneath.
- 3) Nominal Thickness of 1/4".

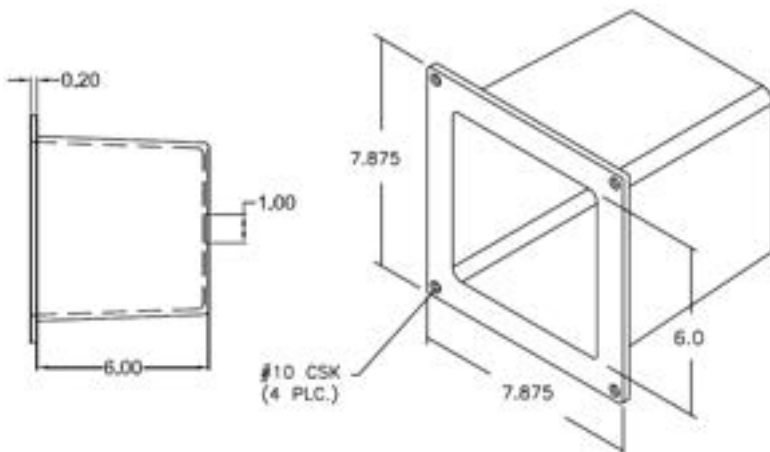
BC0010



BC0010 Dock Bumper Spacer

- 1) Serves as a spacer and trim for the rubber bumper blocks.
- 2) Finish: polished.

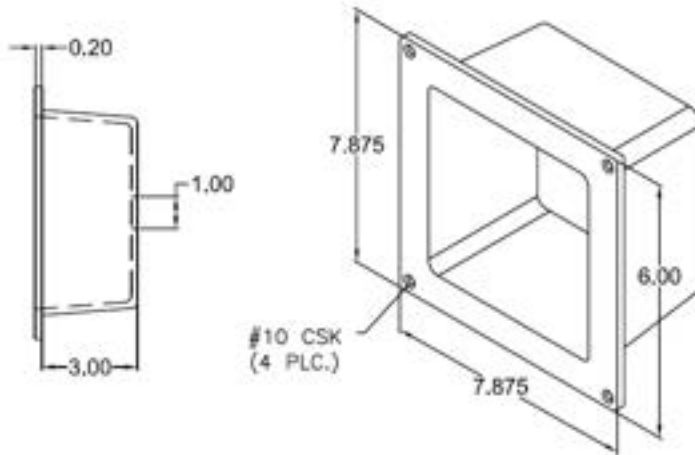
BC0011



BC0011 Tow-Eye Cover 6" Deep

- 1) Finish: Flange is polished. Inside is wheel - a - brated.

BC0012

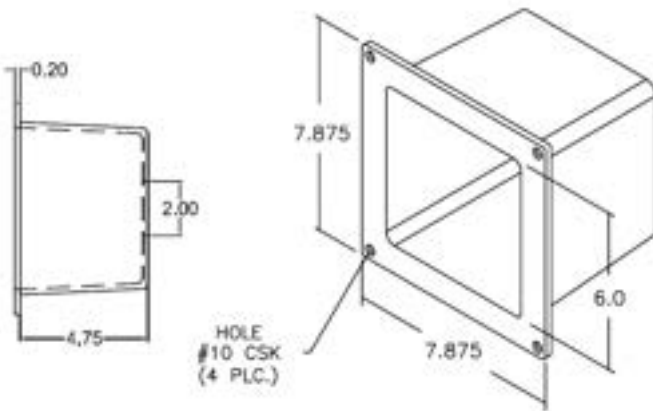


1

BC0012 Tow-Eye Cover 3" Deep

1) Finish: Flange is polished.
Inside is wheel - a - brated.

BC0013



BC0013 Tow - Eye Cover 4 3/4" Deep

1) Finish: Flange is polished.
Inside is wheel - a - brated.

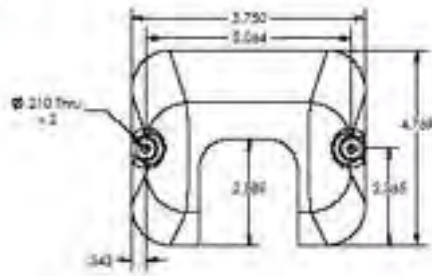
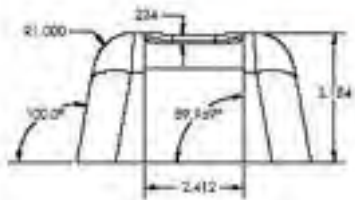
Backup Camera Housings

BCH0001



BCH0001
Backup Camera Housing Shroud
5.75" W x 4.77" T x 3.18" D
(Open back - wedge shaped)

1) Finish: Exterior surfaces are polished.

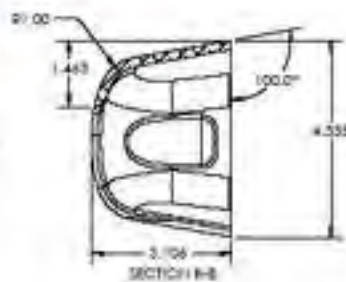
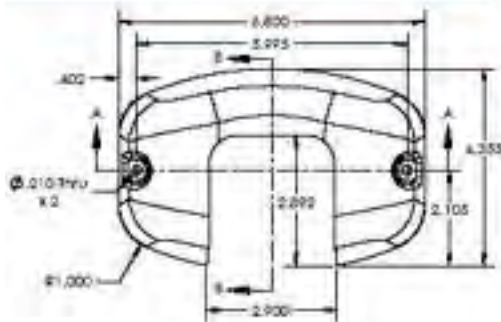


BCH0002



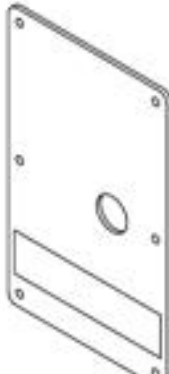
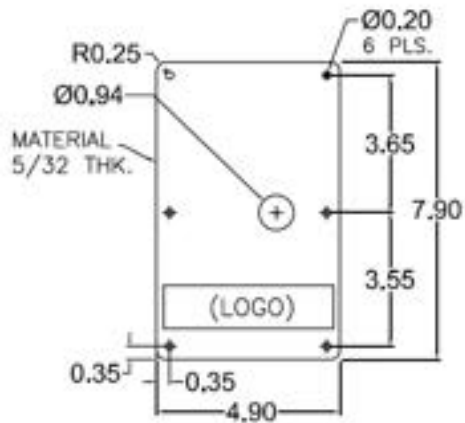
BCH0002
Backup Camera Housing Shroud
6.80" W x 4.37" T x 3.10" D
(Open back - oval shaped)

1) Finish: Exterior surfaces are polished.



Door Hardware

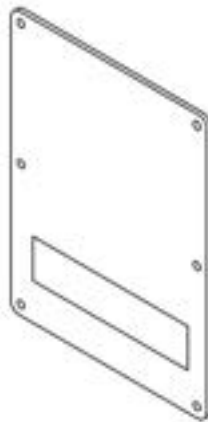
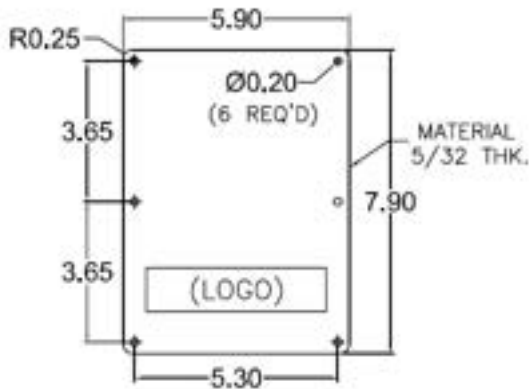
DH0001



DH0001 Door Latch Cover Plate

- 1) Finish: Available ground and brushed or ball-burnished.
- 2) Other sizes available upon request.

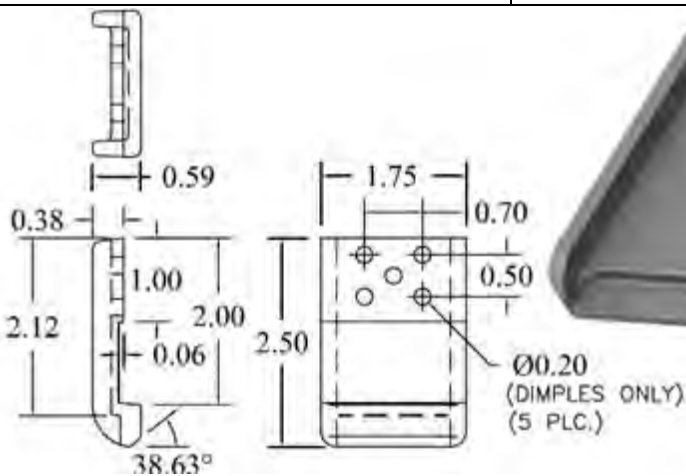
DH0002



DH0002 Door Latch Cover Plate

- 1) Finish: Available ground and brushed or ball-burnished.
- 2) Other sizes available upon request.

DH0006



DH0006 Door Striker Plate

- 1) Finish: Wheel-a-brated.

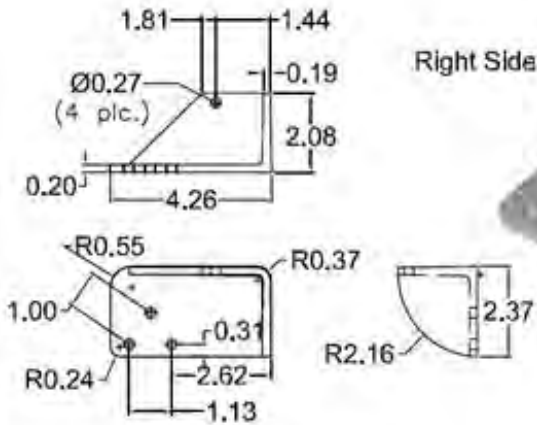
1

DH0007

DH0007

Right Door Bracket

1) Finish: Ball-burnished.

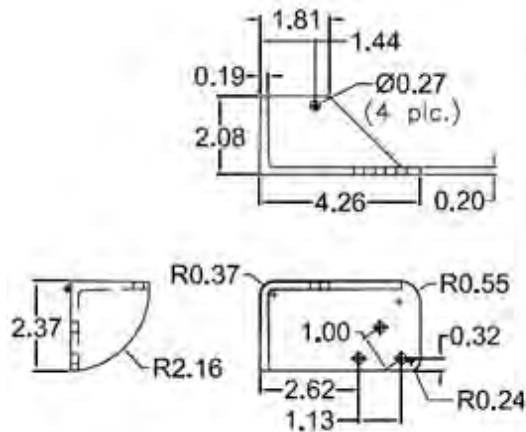


DH0008

DH0008

Left Door Bracket

1) Finish: Ball-burnished.



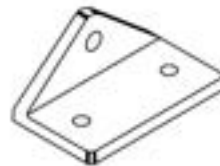
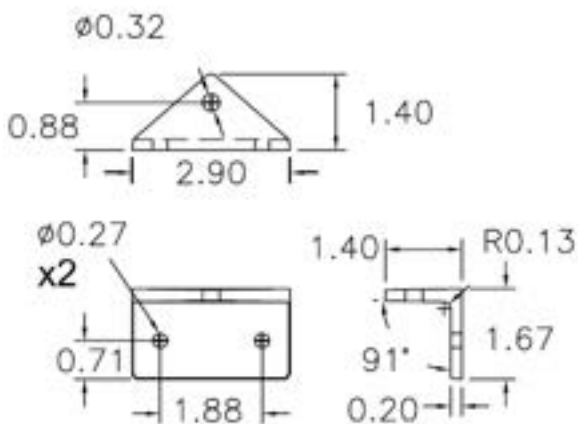
1

DH0011

DH0011

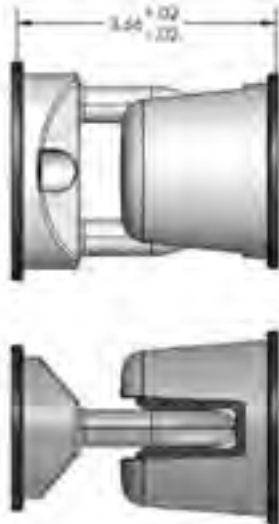
Door Bracket

1) Finish: Ball-burnished.



DH0016 and -A

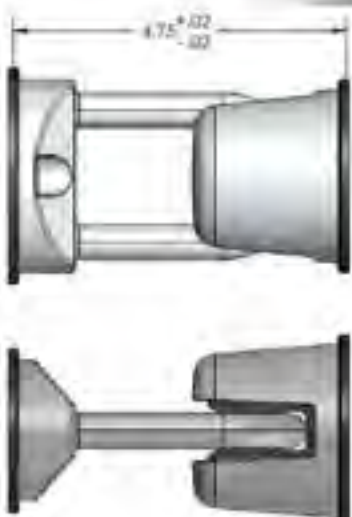
DH0016 and -A Door "Grabber" Assembly (3.66" Base to Base)



Part #:	Finish:	
DH0016-1CH	Diecast, Chrome-Plated	1) Finish: Polished and Chrome Plated exterior (to CASS 24 specifications).
DH0016-1CH-A	Diecast, Chrome-Plated w/ Rubber Gasket Set	1) Finish: Polished and Chrome Plated exterior (to CASS 24 specifications). 2) Supplied with Rubber Mounting Gaskets (Round and Oval).
DH0016-1-U	AL356, Polished	1) Finish: Polished exterior.
DH0016-1-UA	AL356, Polished w/ Rubber Gasket Set	1) Finish: Polished exterior. 2) Supplied with Rubber Mounting Gaskets (Round and Oval).
DH0016-5	AL356, Ball-Burnished	1) Finish: Ball-Burnished exterior.
DH0016-5-A	AL356, Ball-Burnished w/ Rubber Gasket Set	1) Finish: Ball-Burnished exterior. 2) Supplied with Rubber Mounting Gaskets (Round and Oval).

DH0017 and -A

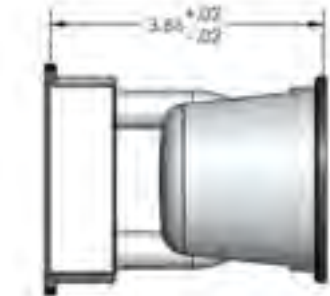
DH0017 and -A Door "Grabber" Assembly (4.75" Base to Base)



Part #:	Finish:	
DH0017-1CH	Diecast, Chrome-Plated	1) Finish: Polished and Chrome Plated exterior (to CASS 24 specifications).
DH0017-1CH-A	Diecast, Chrome-Plated, w/ Rubber Gasket Set	1) Finish: Polished and Chrome Plated exterior (to CASS 24 specifications). 2) Supplied with Rubber Mounting Gaskets (Round and Oval).
DH0017-1-U	AL356, Polished	1) Finish: Polished exterior.
DH0017-1-UA	AL356, Polished, w/ Rubber Gasket Set	1) Finish: Polished exterior. 2) Supplied with Rubber Mounting Gaskets (Round and Oval).
DH0017-5	AL356, Ball-Burnished	1) Finish: Ball-Burnished exterior.
DH0017-5-A	AL356, Ball-Burnished w/ Rubber Gasket Set	1) Finish: Ball-Burnished exterior. 2) Supplied with Rubber Mounting Gaskets (Round and Oval).

DH0018 and -A

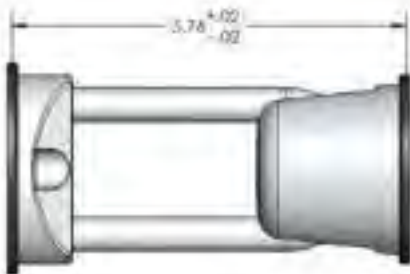
DH0018 and -A Door "Grabber" Assembly w/ Narrow Base (3.66" Base to Base)



Part #:	Finish:	
DH0018-1	AL356, Polished	1) Finish: Polished exterior.
DH0018-1-A	AL356, Polished w/ Rubber Gasket Set	1) Finish: Polished exterior, 2) Supplied with Rubber Mounting Gaskets (Round and Oval - trimmed to fit by user).

DH0019 and -A

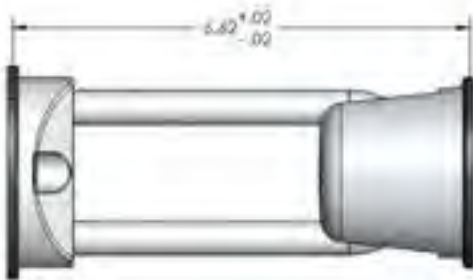
DH0019 and -A Door "Grabber" Assembly (5.76" Base to Base)



Part #:	Finish:	
DH0019-1	AL356, Polished	1) Finish: Polished exterior.
DH0019-1-A	AL356, Polished w/ Rubber Gasket Set	1) Finish: Polished exterior, 2) Supplied with Rubber Mounting Gaskets (Round and Oval).

DH0020 and -A

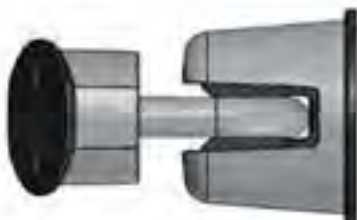
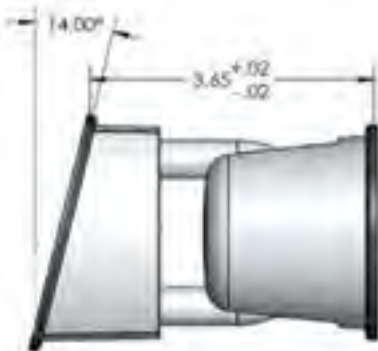
DH0020 and -A Door "Grabber" Assembly (6.62" Base to Base)



Part #:	Finish:	
DH0020-1	AL356, Polished	1) Finish: Polished exterior.
DH0020-1-A	AL356, Polished w/ Rubber Gasket Set	1) Finish: Polished exterior, 2) Supplied with Rubber Mounting Gaskets (Round and Oval).

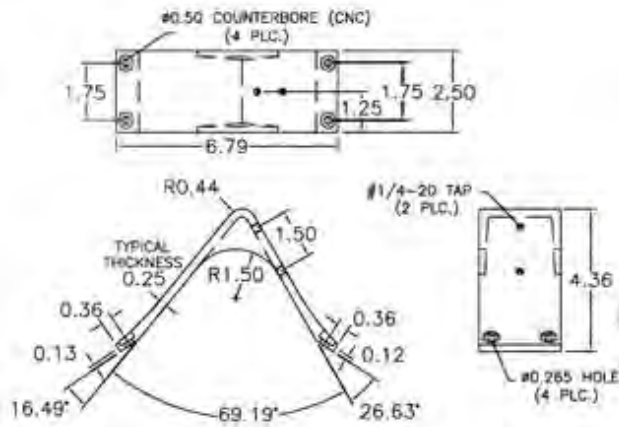
DH0022 and -A

DH0022 and -A Door "Grabber" Assembly w/ 14d. Angled Base



Part #:	Finish:	
DH0022-1	AL356, Polished	1) Finish: Polished exterior.
DH0022-1-A	AL356, Polished w/ Rubber Gasket Set	1) Finish: Polished exterior, 2) Supplied with Rubber Mounting Gaskets (Round and Oval).

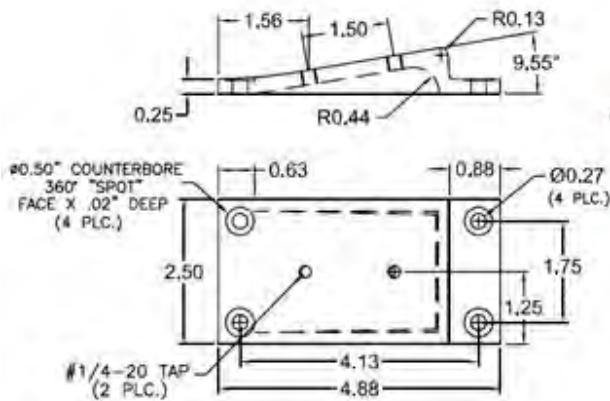
DH0024



DH0024 Door Stop Wedge Bracket

1) Finish: Polished

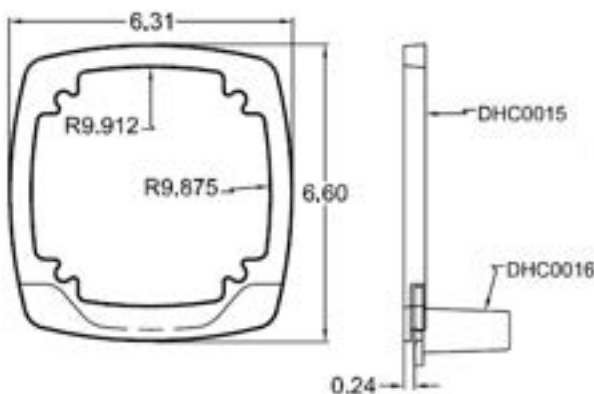
DH0025



DH0025 Door Stop Wedge Bracket

1) Finish: polished.

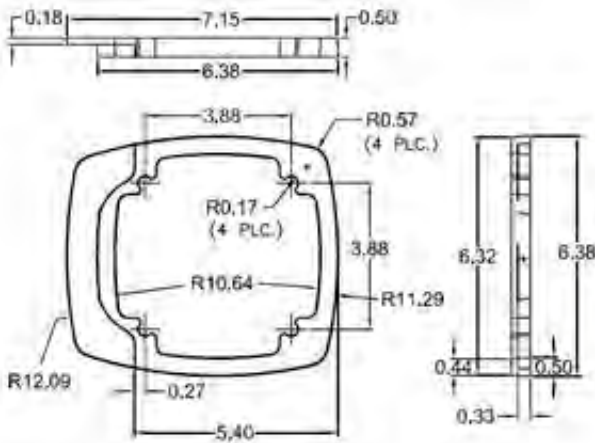
DH0028



DH0028 Latch Spacer Trim

- 1) Finish: 120 grit ground or polished.
- 2) Serves as a spacer where D-Ring type latches and handles are used on thin compartment doors.

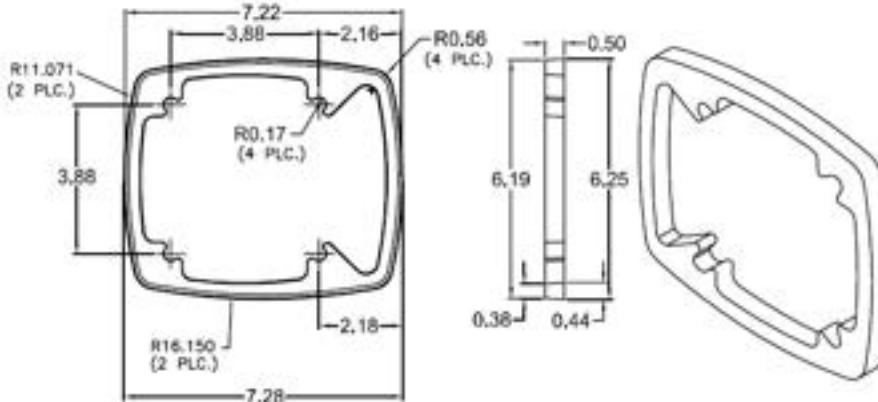
DH0029



DH0029 Latch Spacer Trim (Large)

- 1) Finish: 120 grit ground or polished.
- 2) Serves as a spacer where D-Ring type latches and handles are used on thin compartment doors.

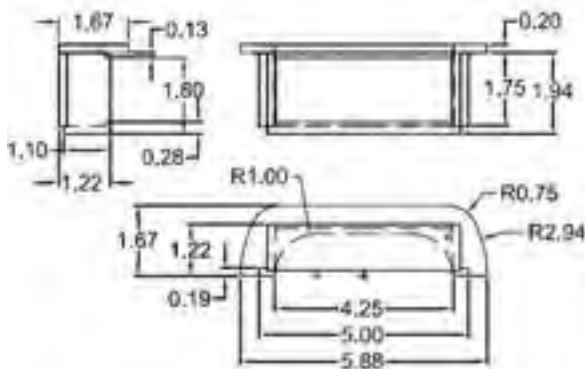
DH0030



DH0030 Latch Spacer Trim (Large)

- 1) Finish: 120 grit ground or polished.
- 2) Serves as a spacer where D-Ring type latches and handles are used on thin compartment doors.

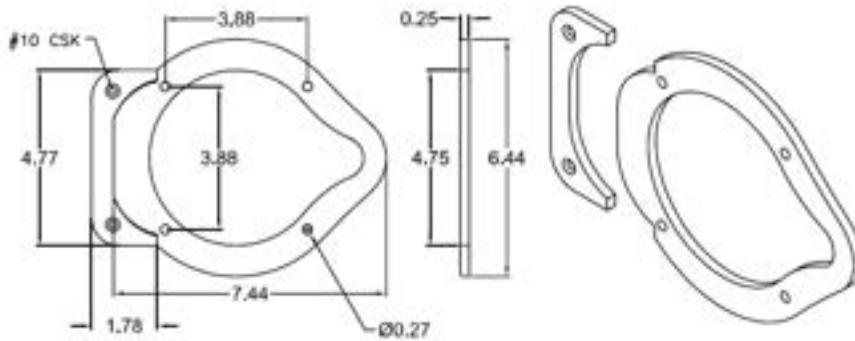
DH0031



DH0031 Extrusion Latch Cover

- 1) Finish: Bright Polished.

DH0032

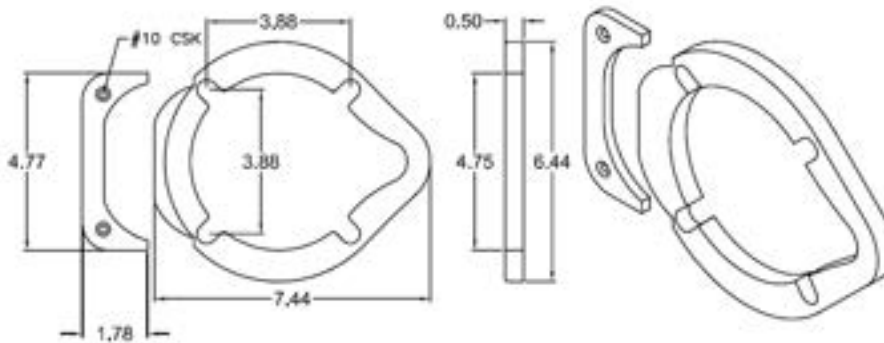


1

DH0032 D-Ring Spacer (2 Piece set)

- 1) Finish: 120 grit ground or polished.
- 2) Serves as a spacer where D-Ring type latches and handles are used on thin compartment doors.

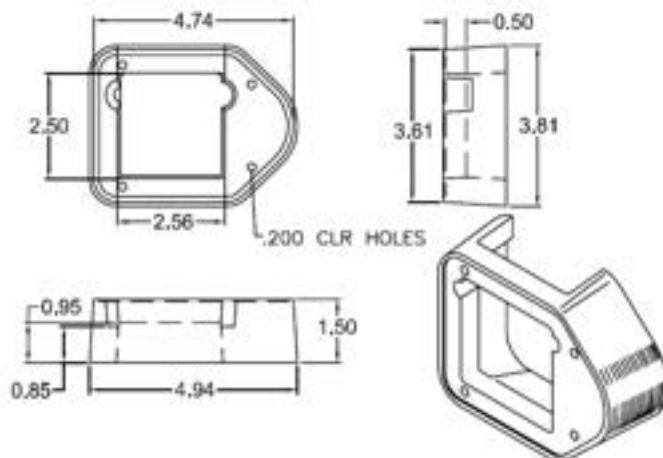
DH0033



DH0033 D-Ring Spacer (2 Piece set)

- 1) Finish: 120 grit ground or polished.
- 2) Serves as a spacer where D-Ring type latches and handles are used on thin compartment doors.

DH0036

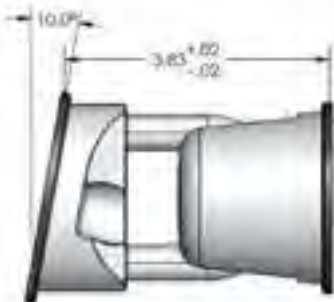


DH0036 Squad Bench Latch Spacer

- 1) Finish: 120 grit ground or polished.
- 2) Serves as a spacer where D-Ring type latches and handles are used on thin compartment doors.

DH0041 and -A

DH0041 and -A Door "Grabber" Assembly w/ 10d. Angled Base (3.83" Base to Base)

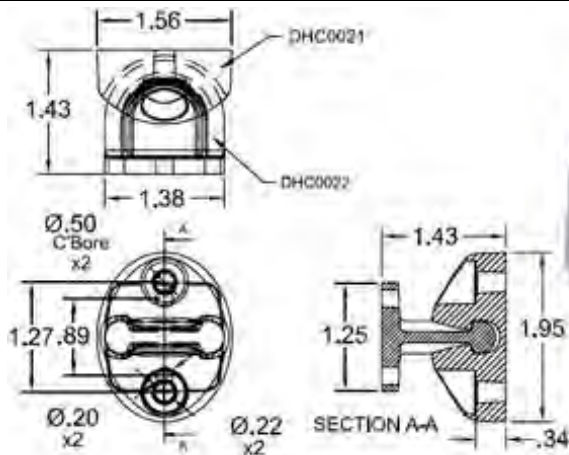


Part #:	Finish:	
DH0041-1	AL356, Polished	1) Finish: Polished exterior.
DH0041-1-A	AL356, Polished w/ Rubber Gasket Set	1) Finish: Polished exterior. 2) Supplied with Rubber Mounting Gaskets (Round and Oval).
DH0041-1CH	Diecast, Chrome-Plated	1) Finish: Polished and Chrome Plated exterior (to CASS 24 specifications).
DH0041-1CH-A	Diecast, Chrome-Plated, w/ Rubber Gasket Set	1) Finish: Polished and Chrome Plated exterior (to CASS 24 specifications). 2) Supplied with Rubber Mounting Gaskets (Round and Oval).

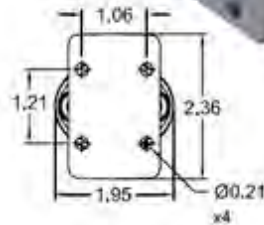
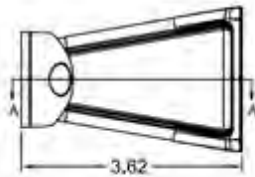
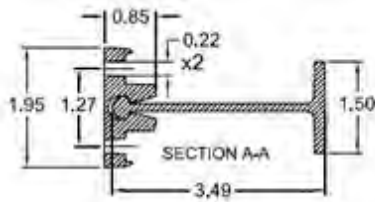
DH0042

DH0042 Mini Door Grabber

- 1) Finish: Ball-burnished.
- 2) Material: Male plunger is Aluminum 356. Female socket is solid rubber.



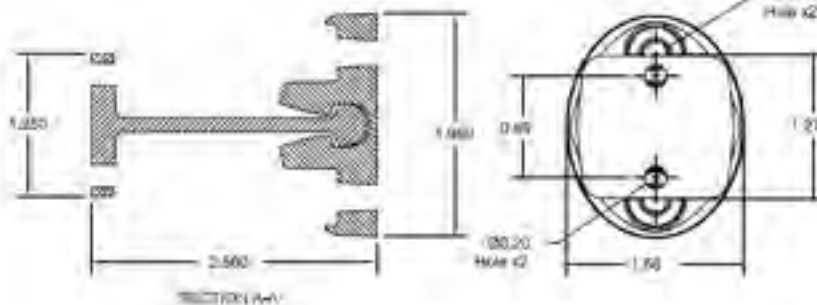
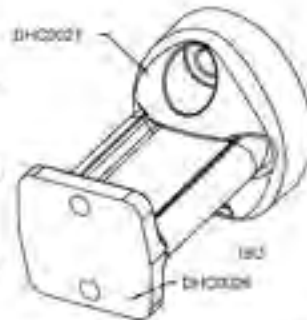
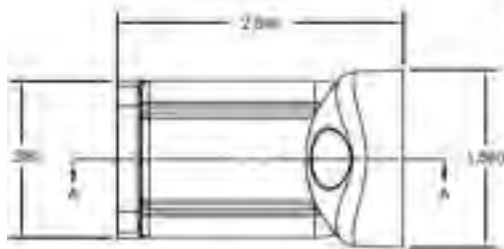
DH0043



DH0043 Mini Door Grabber

- 1) Finish: Ball-burnished.
- 2) Material: Male plunger is Aluminum 356. Female socket is solid rubber.

DH0046

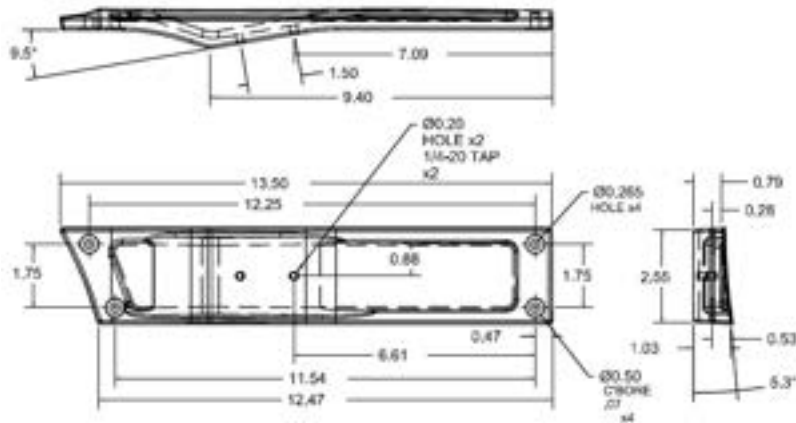


DH0046 Mini Door Grabber 2.50" BTB

- 1) Finish: Ball-burnished.
- 2) Material: Male plunger is Aluminum 356. Female socket is solid rubber.



DH0050

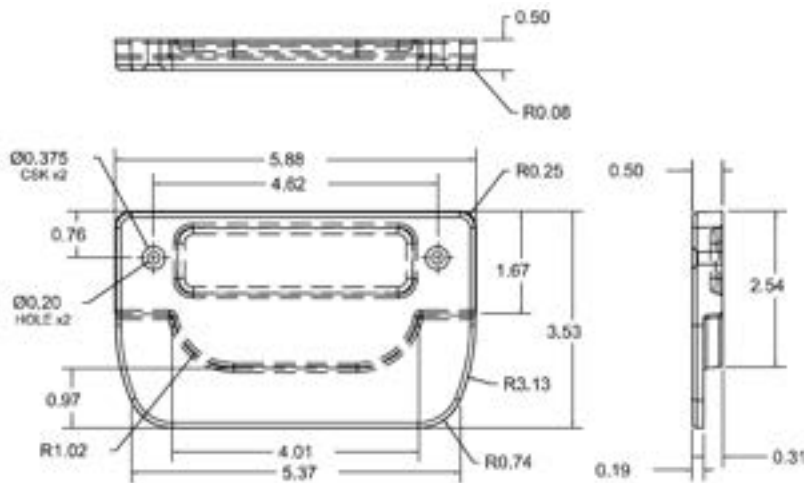


DH0050 9.5d. Door Grabber Wedge Spacer (E350 Side Panel)

1) Finish: polished.



DH0051

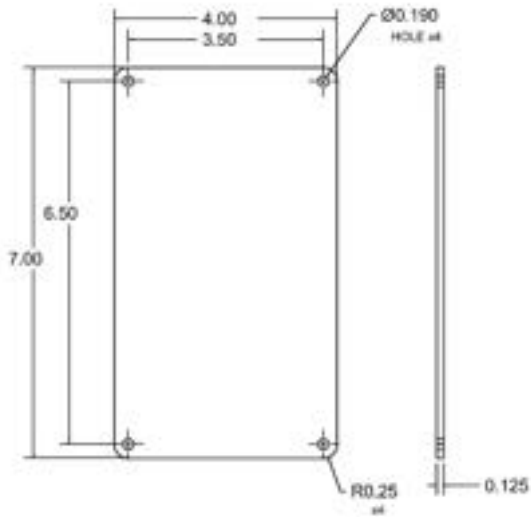


DH0051 Door Latch Cover Plate

1) Finish: polished.



DH0052

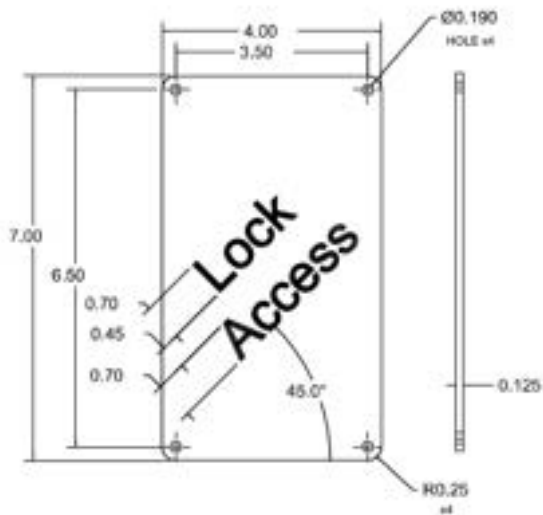


DH0052

Plain 4x7 Electric Latch Cover Plate

1) Finish: ball-burnished.

DH0052-B

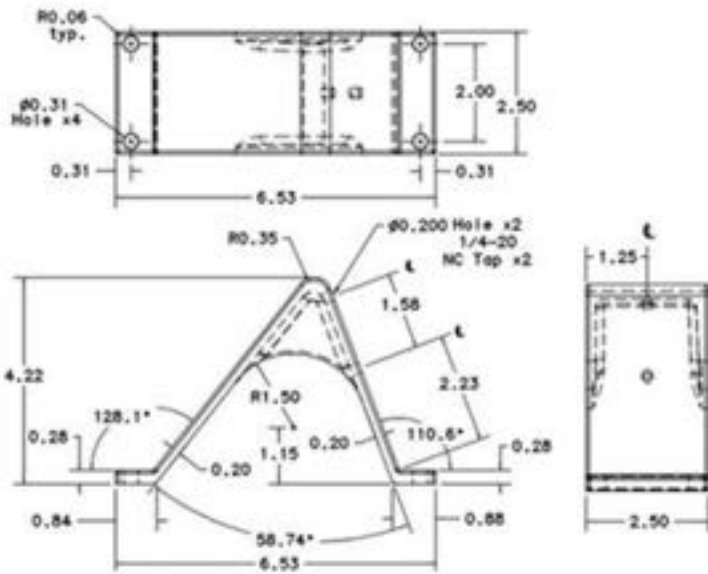


DH0052-B

45d "Lock Access" engraved 4x7 Electric Latch Cover Plate

1) Finish: ball-burnished.

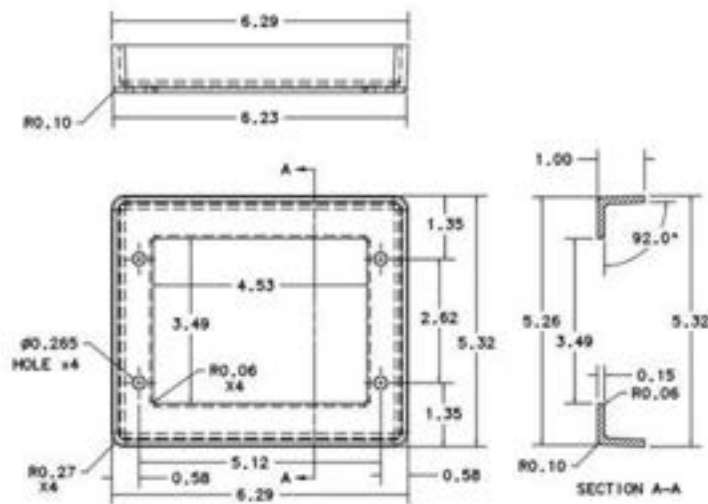
DH0053



DH0053
Door Stop Wedge
Bracket

1) Finish: polished.

DH0054



DH0054
Door Spacer
Casting

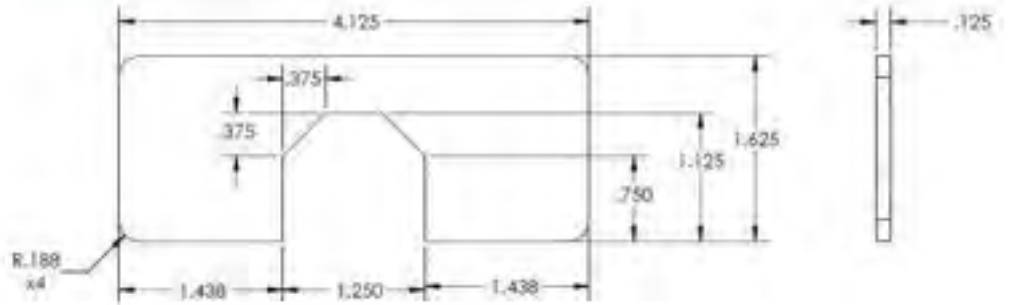
1) Finish: powder coated black.



DH0058

DH0058 Striker Cover Plate Stamping

1) Finish: 120 grit ground.

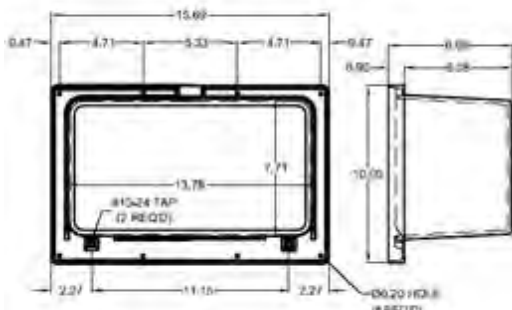


Enclosed Boxes

EB0001

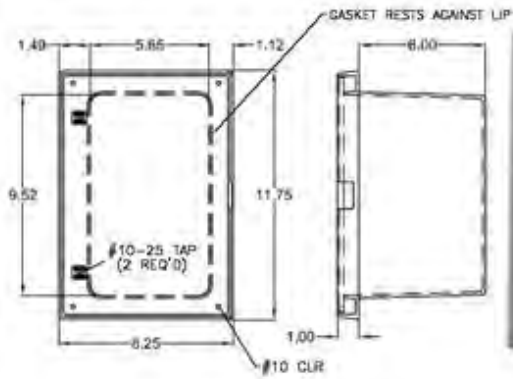
EB0001 Phone Box

1) All concealed mounting hardware and hinges.
2) Finish outside flange - polished.
lid - 120 grit directional ground.



EB0002

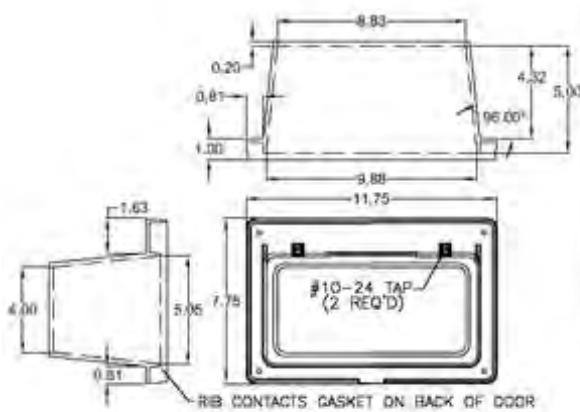
EB0002 Phone Box



- 1) All concealed mounting hardware and hinges.
- 2) Finish outside flange - polished, lid - 120 grit directional ground.

EB0003

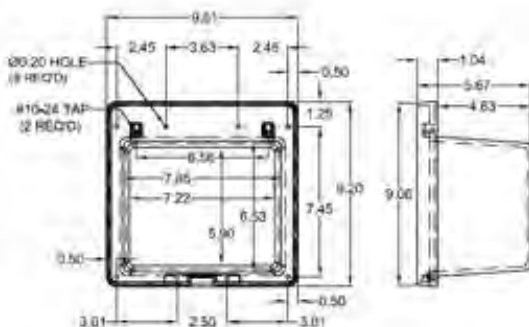
EB0003 Phone Box



- 1) All concealed mounting hardware and hinges.
- 2) Finish outside flange - polished, lid - 120 grit directional ground.

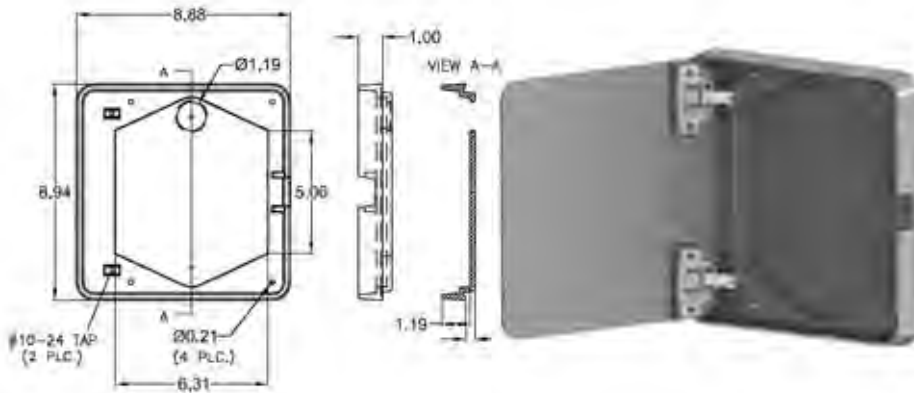
EB0004

EB0004 Microphone Box with Slam Latch



- 1) All concealed mounting hardware and hinges.
- 2) Finish outside flange - polished, lid - 120 grit directional ground.
- 3) Standard Slam-Latch.

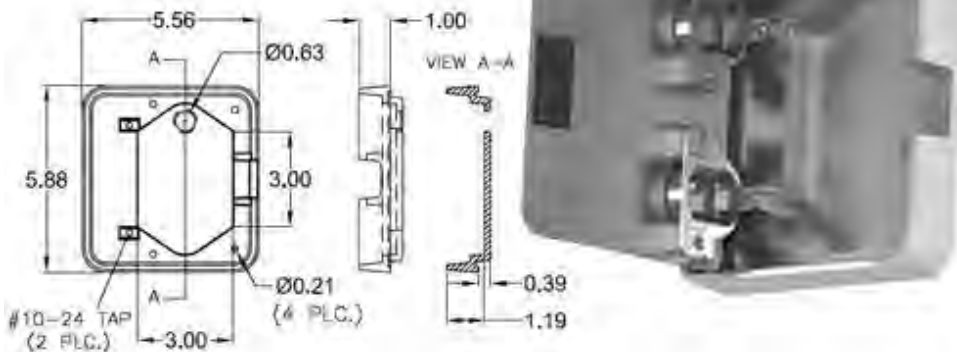
EB0005



EB0005 Aerial Switch Panel Access Box with Hinged Flange

- 1) All concealed mounting hardware and hinges.
- 2) Finish outside flange - polished. lid - 120 grit directional ground.
- 3) One 3/16" hole drilled at the top or bottom for the mounting of the lamp. This allows for the door to be mounted for Left or Right handed openings.

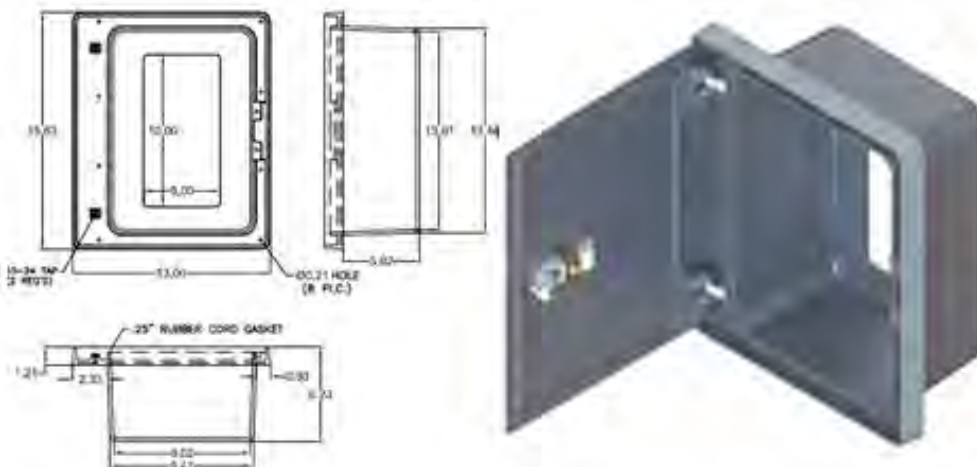
EB0006



EB0006 Aerial Switch Panel Access Box with Hinged Flange

- 1) All concealed mounting hardware and hinges.
- 2) Finish outside flange - polished. lid - 120 grit directional ground.
- 3) One 3/16" hole drilled at the top or bottom for the mounting of the lamp. This allows for the door to be mounted for Left or Right handed openings.

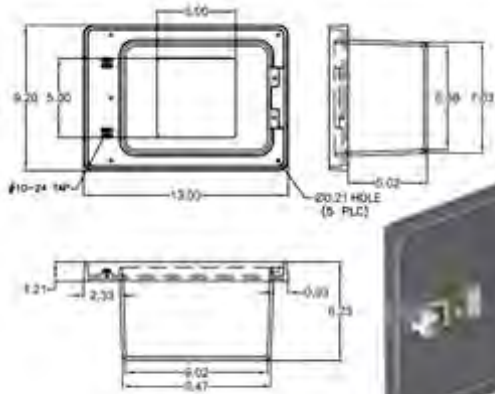
EB0007



EB0007 Outrigger Control Box with Lever Latch and Seal

- 1) All concealed mounting hardware and hinges.
- 2) Finish: Outside flange - polished. lid - 120 grit directional ground.
- 3) Uses 1/4" rubber cord gasket in back of lid.
- 4) Product sold with Southco adjustable lever latch installed.

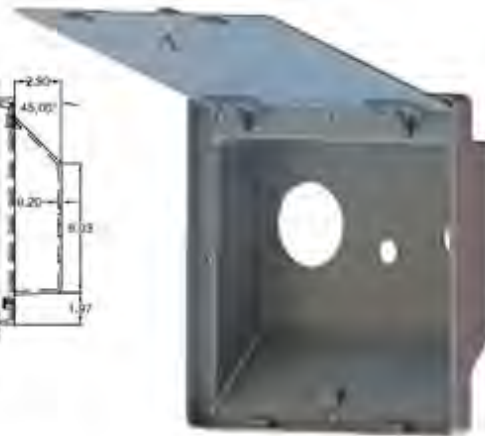
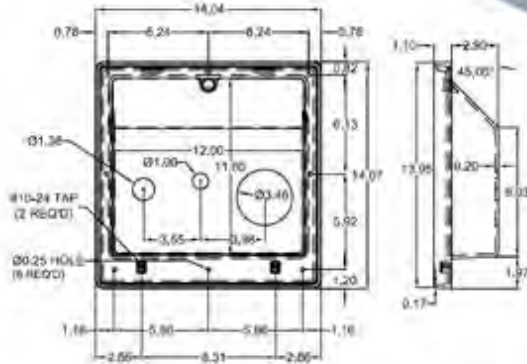
EB0008



EB0008 Outrigger Control Box with Lever Latch and Seal

- 1) All concealed mounting hardware and hinges.
- 2) Finish: Outside flange - polished, lid - 120 grit directional ground.
- 3) Uses 1/4" rubber cord gasket in back of lid.
- 4) Product sold with Southco adjustable lever latch installed.

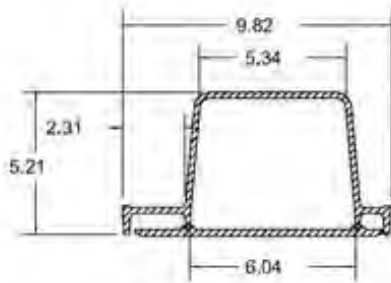
EB0009



EB0009 Water Fill Enclosed Box

- 1) All concealed mounting hardware and hinges.
- 2) Finish: Outside flange - polished, lid - 120 grit directional ground.
- 3) Product sold with Southco 100 series latch installed.

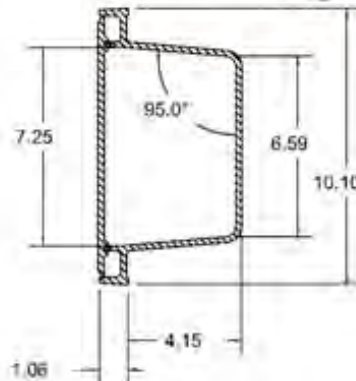
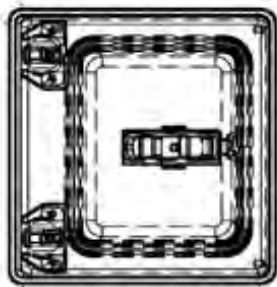
EB0010



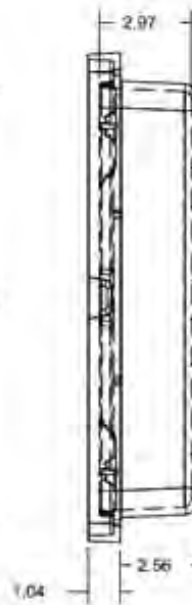
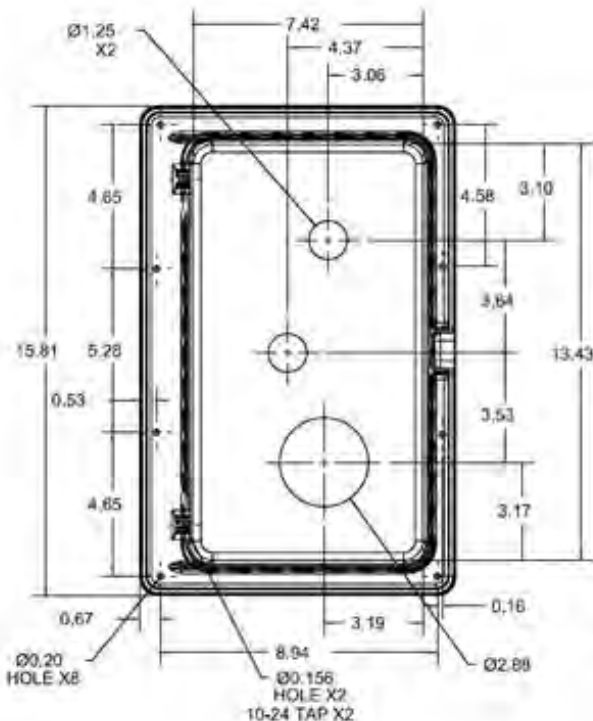
EB0010

**Microphone Box w/
Gasket Seal w/
Southco Lever
Latch**

- 1) All concealed mounting hardware and hinges.
- 2) Finish: Outside flange - polished. lid - 120 grit directional ground.
- 3) Uses 1/4" rubber cord gasket in back of lid.
- 4) Product sold with Southco adjustable lever latch installed.



EB0011

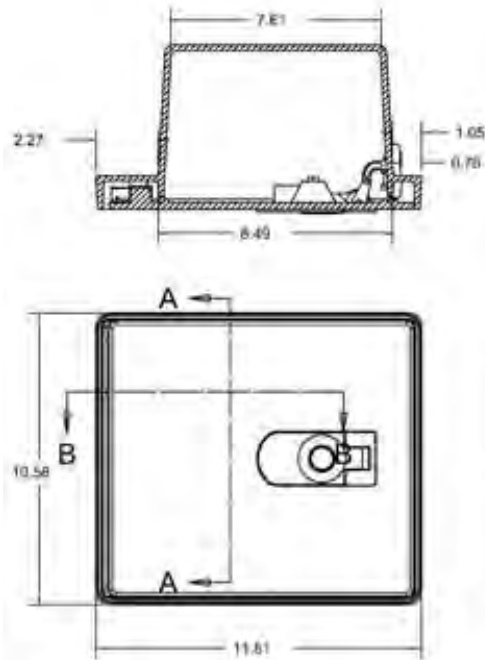


EB0011
**Phone Box w/ Lid and
Gasket (2 1/2" deep)**

- 1) All concealed mounting hardware and hinges.
- 2) Finish: Outside flange - polished. lid - 120 grit directional ground.
- 3) Uses 1/4" rubber cord gasket in back of lid.



EB0012

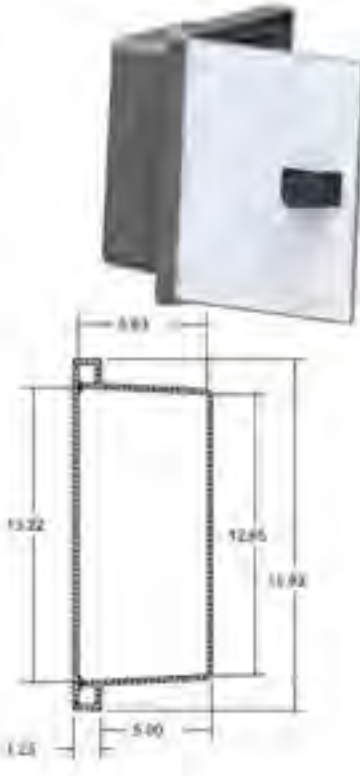
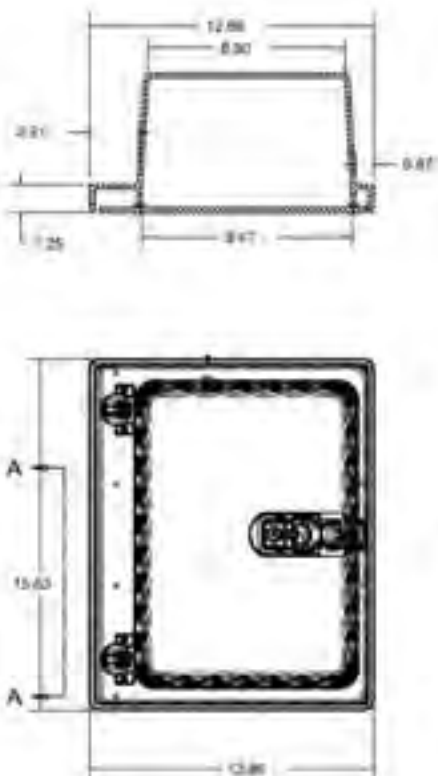


EB0012

**Headset Box w/ Lid,
Door Gasket and
Weatherproof
Southco Lever
Latch (Non-locking)**

- 1) All concealed mounting hardware and hinges.
- 2) Finish: Outside flange - polished, lid - 120 grit directional ground.
- 3) Uses 1/4" rubber cord gasket in back of lid.
- 4) Product sold with Weather proof Southco adjustable lever latch installed (non-locking).

EB0013



EB0013

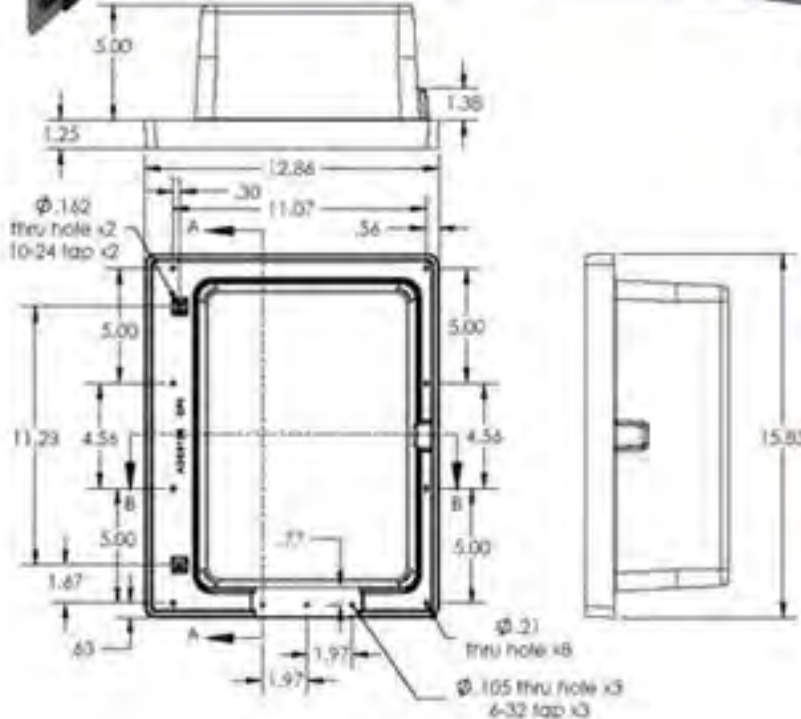
**Phone Box w/ Lid,
Door Gasket and
Locking
Weatherproof
Southco Lever
Latch**

- 1) All concealed mounting hardware and hinges.
- 2) Finish: Outside flange - polished, lid - 120 grit directional ground.
- 3) Uses 1/4" rubber cord gasket in back of lid.
- 4) Product sold with Weather proof Southco adjustable lever latch installed (locking).

EB0014



EB0014-1
Phone Box w/ Lid, Wire Cord
Gasket Seal, Door Gasket and
Locking Weatherproof
Southco Lever Latch



- 1) Finish: Ball-burnished w/ Exterior Surfaces Polished. Lid is 120 grit directional ground.
- 2) Use SouthCO weatherproof latch.
- 3) Incorporates an EPDM rubber and foam rubber cord seal at the bottom lip, to "clamp" and seal the communication wires.

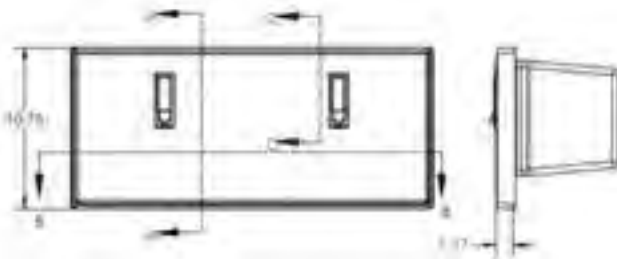
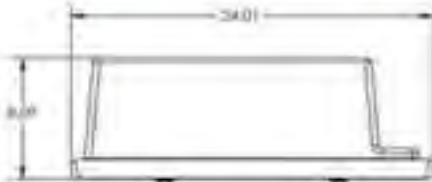


EB0015



EB0015-1
Tether Control Box w/ Lid,
Door Gasket and Southco
Lever Latches x2

- 1) Finish: interior is ball-burnished with mounting flange polished. Lid is 120 grit directional ground.
- 2) Uses two Standard SouthCo Lever latches and internal .25" cord gasket.
- 3) Interior is solid (no rear holes).
- 4) Lid has small boss cast in to allow for user attachment of lid support chain or cable (not supplied).

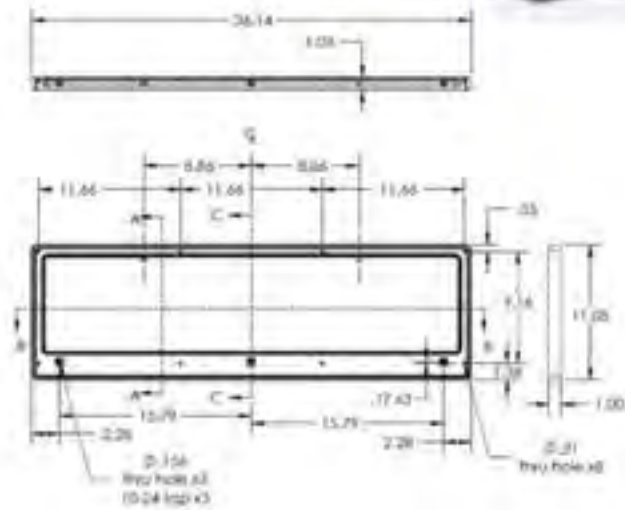


EB0016



EB0016-1 Access Flange w/ Lid, Door Gasket and Southco Lever Latches x2

- 1) Finish: interior is ball-burnished with mounting flange polished. Lid is 120 grit directional ground.
- 2) Uses two Standard SouthCo Lever latches and internal .25" cord gasket.
- 3) Lid has small bosses cast in to allow for user attachment of lid support chain or cable (not supplied).

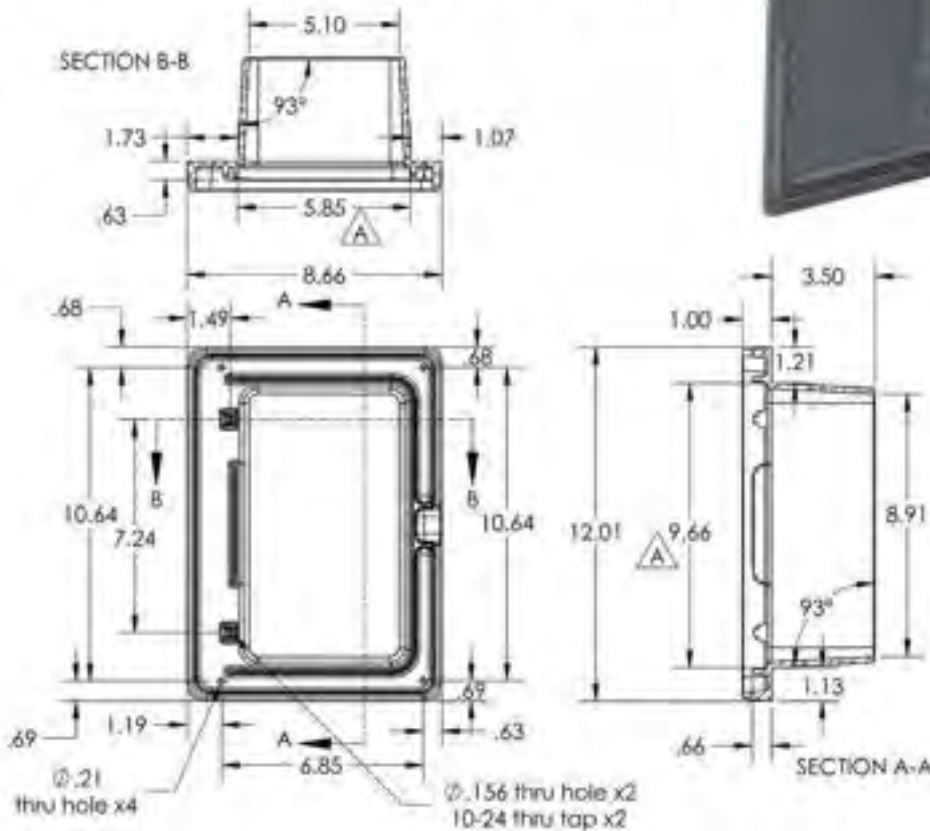


EB0017

EB0017-1

Open Phone Box and Lid

- 1) Finish: Interior is wheel-a-brated. Flange is polished with lid 120 grit directional ground.
- 2) Uses std. concealed hinges and cord gasket.

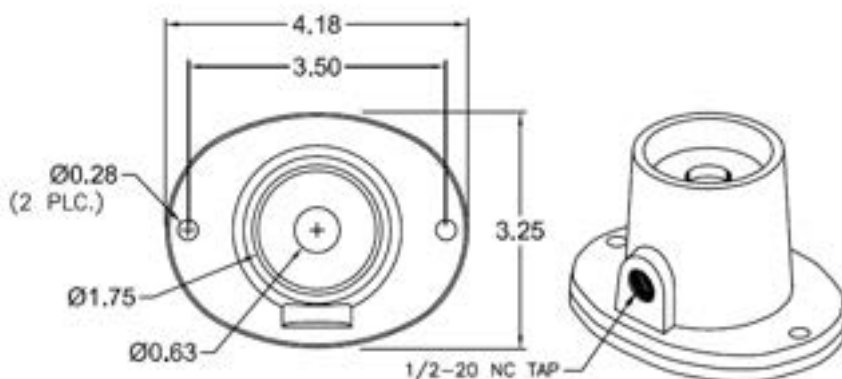


Fire Apparatus

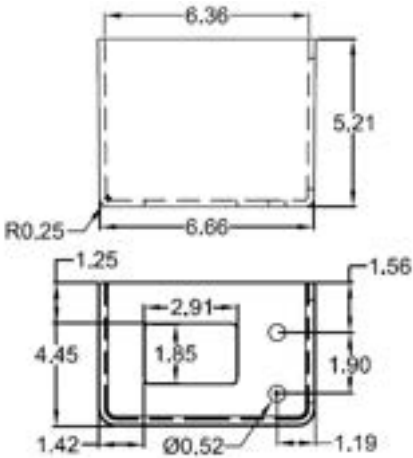
FA0002

FA0002 Switch Base

- 1) Finish: Wheel-a-brated.



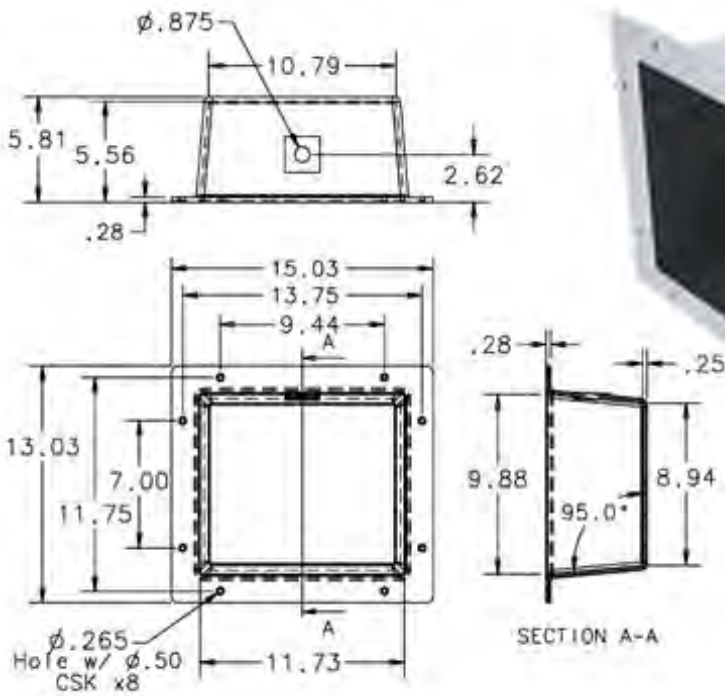
FA0004



FA0004 Waterous Pump Shifter Box

- 1) Finish: Wheel-a-brated (light gray).
- 2) Removable side panel.

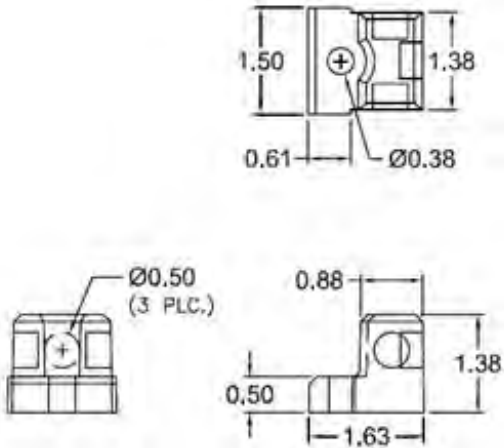
FA0006



FA0006 500 Watt Light Housing

- 1) Finish: Flange is polished, Inside is ball-burnished.

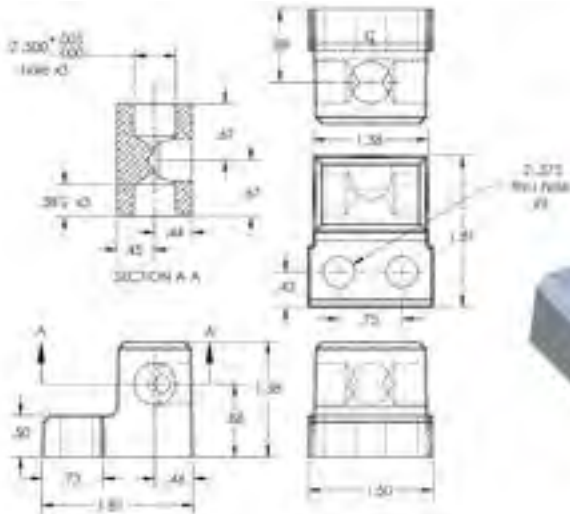
FA0012



FA0012 Hose Roller "T" Block

1) Finish: Bead-blasted.

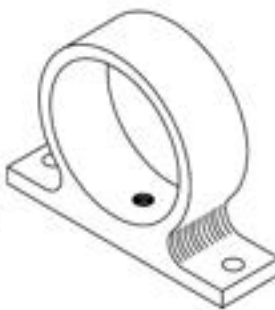
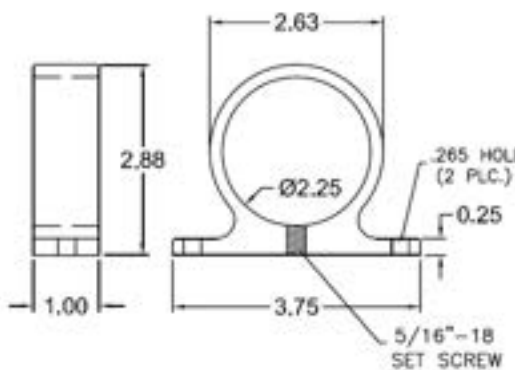
FA0013



FA0013-5 Hose Roller "T" Block

1. Finish: ball-burnished.

FA0018



FA0018 Pike Pole Tube Bracket

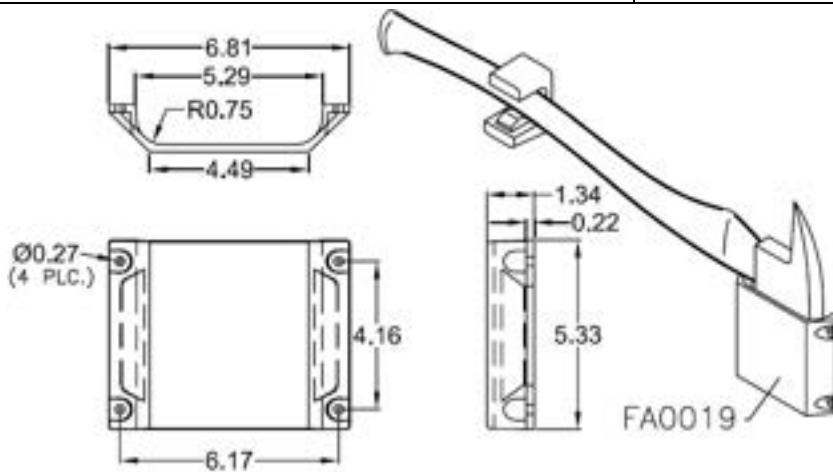
1) Finish: polished or bead-blasted.

FA0019

FA0019

Fire Ax-Head Holder

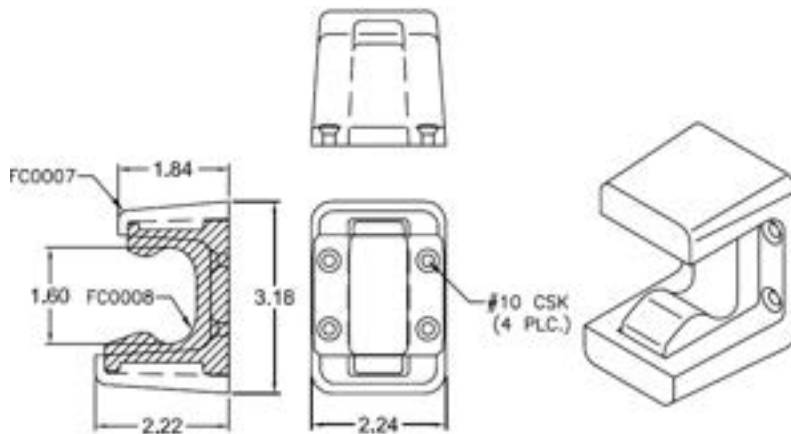
- 1) Finish: All exterior surfaces are bright polished.
- 2) Use with part #FA0020 for a horizontal pull or with #FA0021 for a vertical pull.



FA0020

FA0020 Fire Ax-Handle Holder

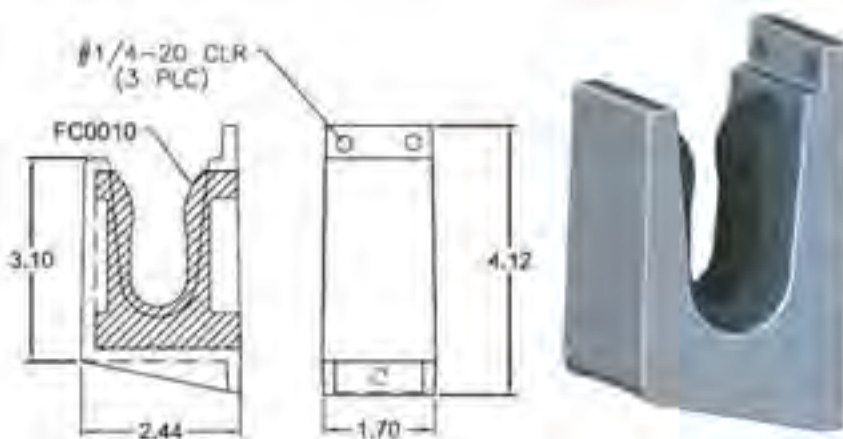
- 1) Finish: All exterior surfaces are bright polished.
- 2) Use with part #FA0019.
- 3) Serves as ax-handle retainer for quick access that also reduces vibration and protects handle.



FA0021

FA0021 Fire Ax-Handle Holder

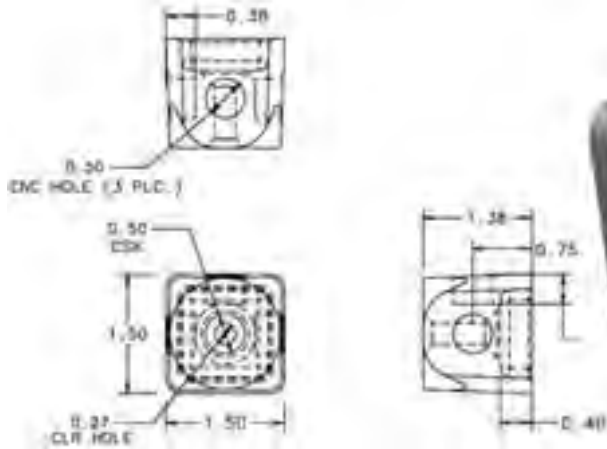
- 1) Finish: All exterior surfaces are bright polished.
- 2) Use with part #FA0019.
- 3) Serves as ax-handle retainer for quick access that also reduces vibration and protects handle.



FA0026

FA0026 Hose Roller "T" Block

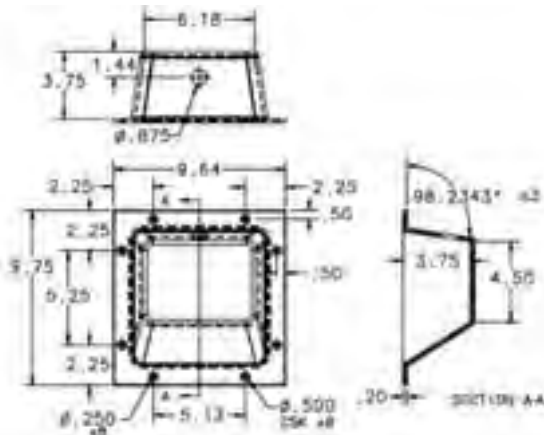
1) Finish: Part can be polished, wheel-a-brated, or ball-burnished.



FA0027

FA0027 Light Box

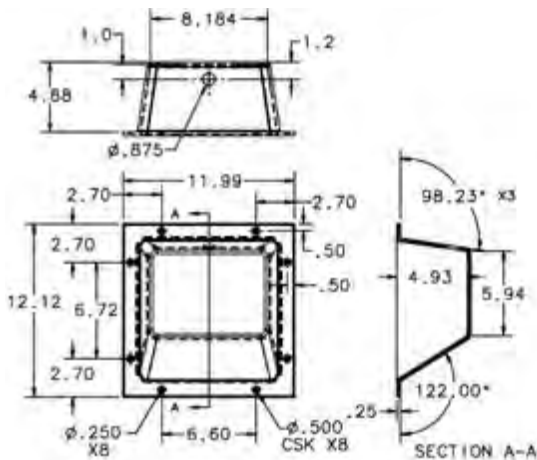
1) Finish: Polished.



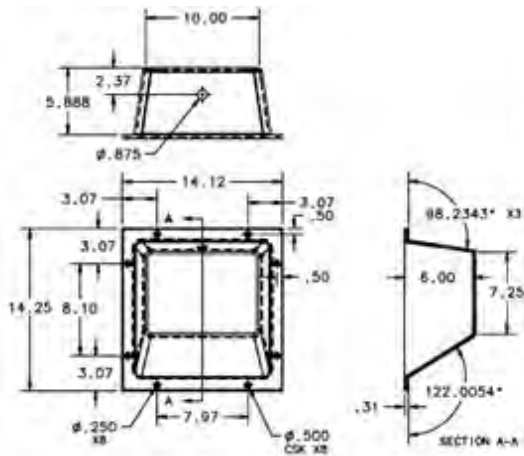
FA0028

FA0028 Light Box

1) Finish: Polished.



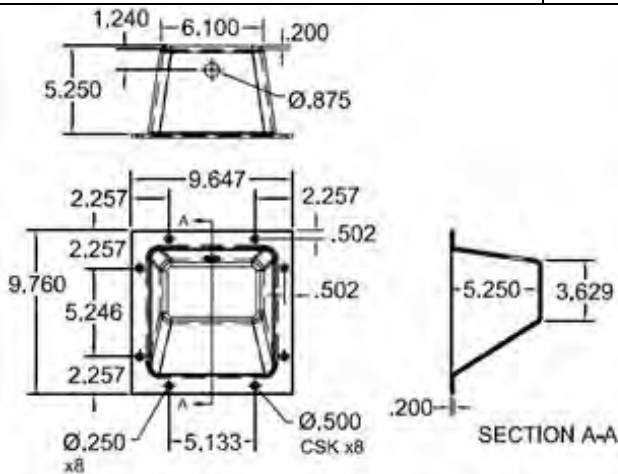
FA0029



FA0029 Light Box

1) Finish: Polished

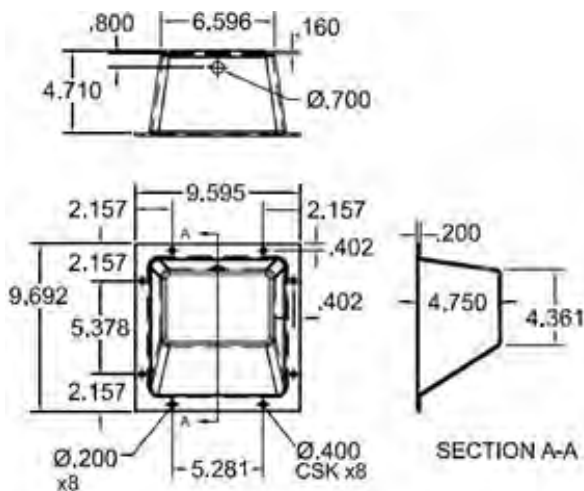
FA0031



FA0031 Light Box

1) Finish: Polished

FA0032



FA0032 Light Box

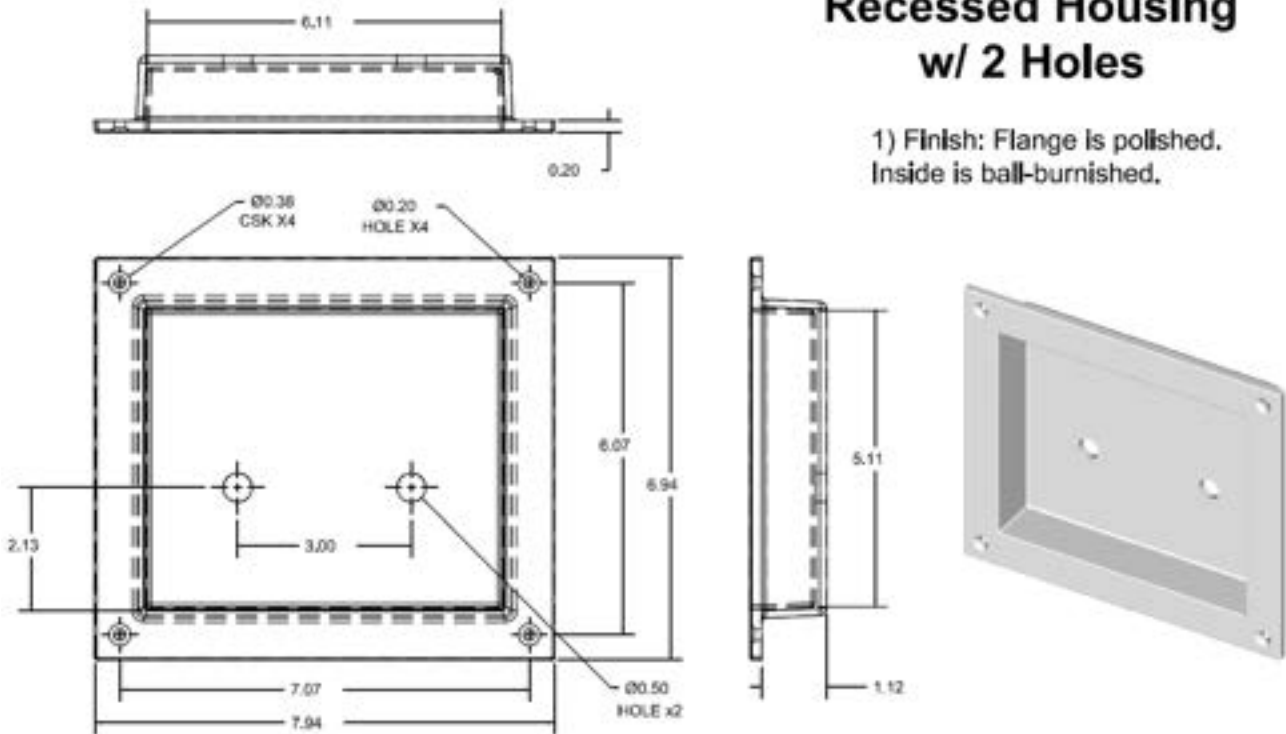
1) Finish: Polished.

FA0035

FA0035

Recessed Housing w/ 2 Holes

1) Finish: Flange is polished.
Inside is ball-burnished.

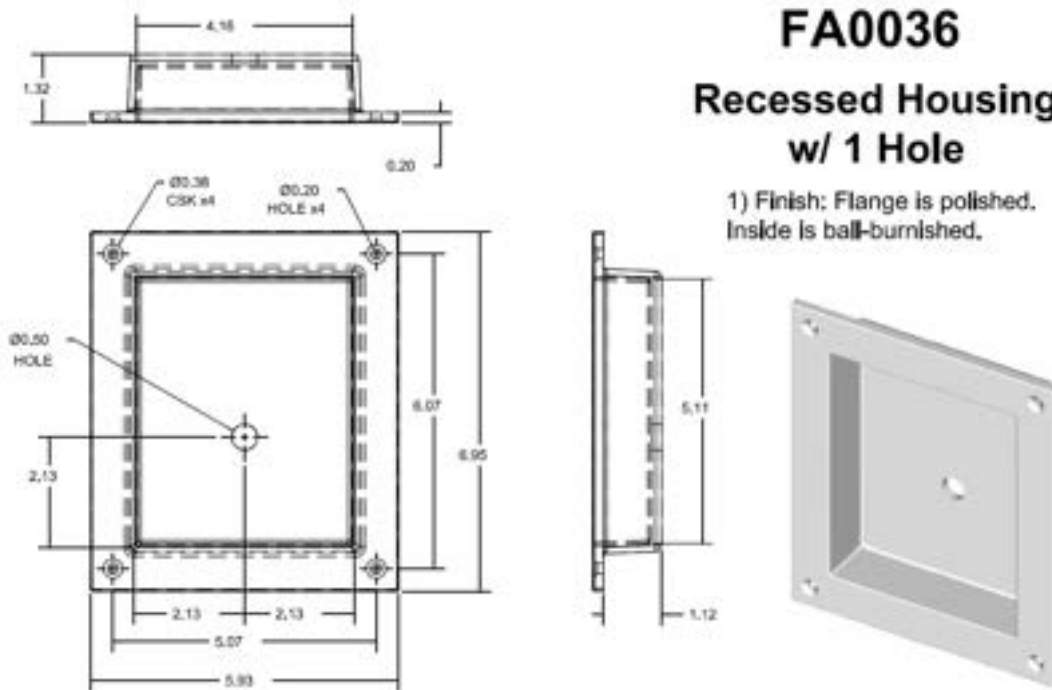


FA0036

FA0036

Recessed Housing w/ 1 Hole

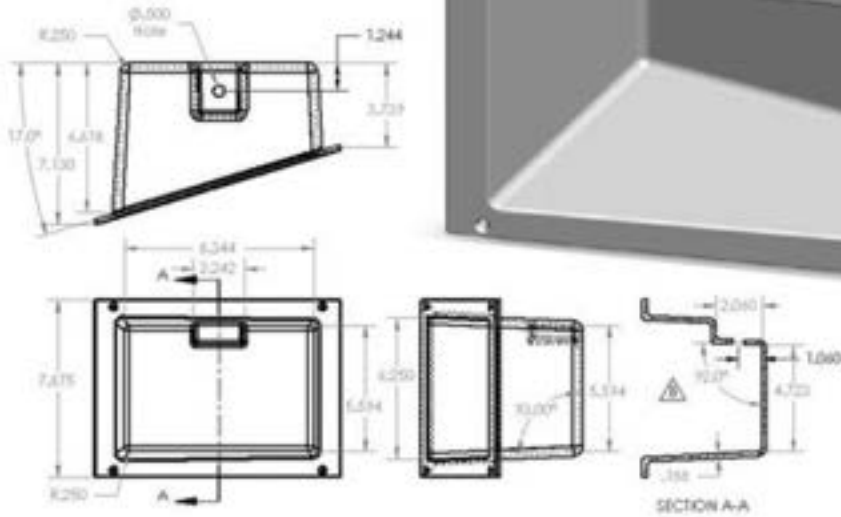
1) Finish: Flange is polished.
Inside is ball-burnished.



FA0040

**FA0040
Rightside Light Box
Casting**

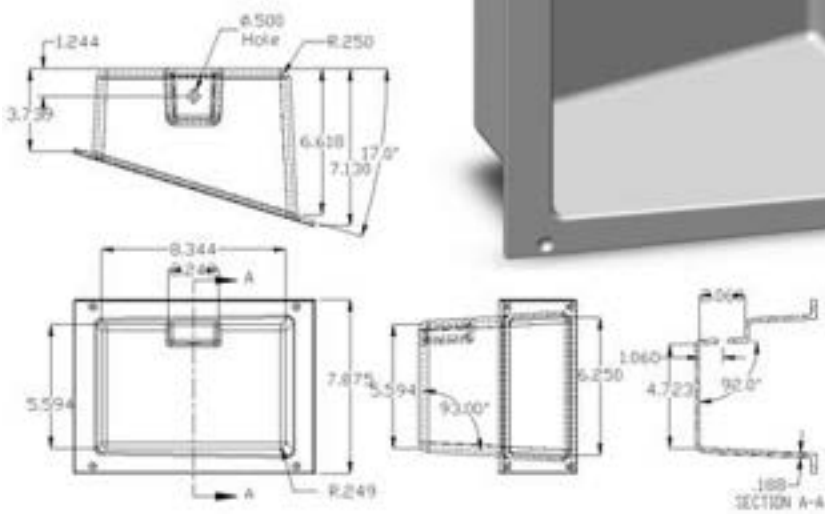
1) Finish: Exterior flange is polished. Interior is wheel-a-brated.



FA0041

**FA0041
Leftside Light Box
Casting**

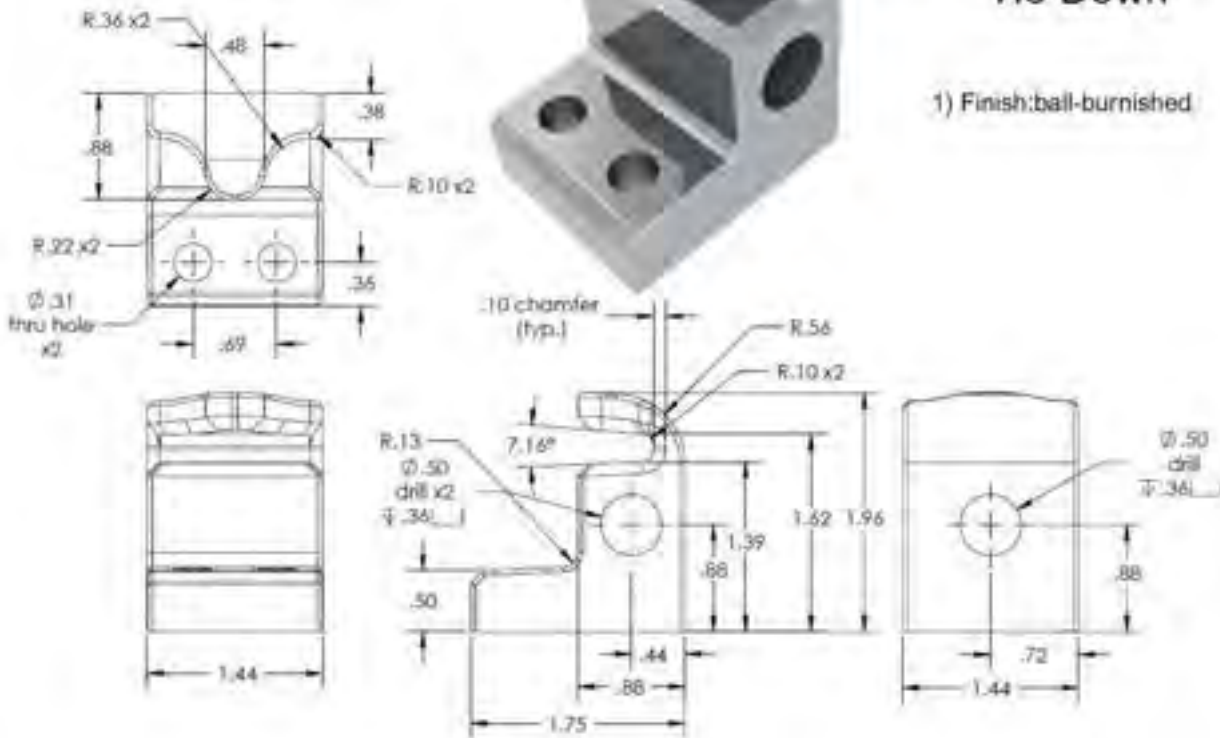
1) Finish: Exterior flange is polished. Interior is wheel-a-brated.



FA0042

FA0042-5 Cross Lay Roller Block Tie Down

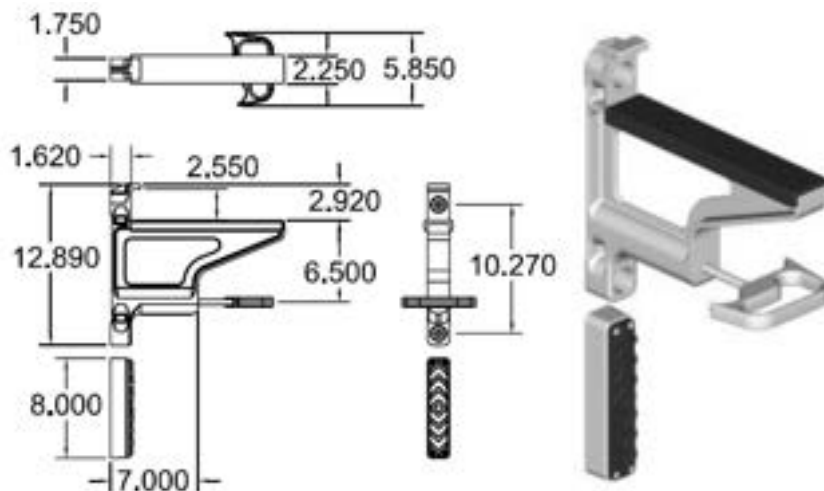
1) Finish: ball-burnished



FA0030

FA0030 Ladder Bracket w/ Rubber Pads

1) Finish: Ball-burnished.
2) Part sold with upper rubber
(FC0016) and lower rubber
(FC0015) ladder rests.

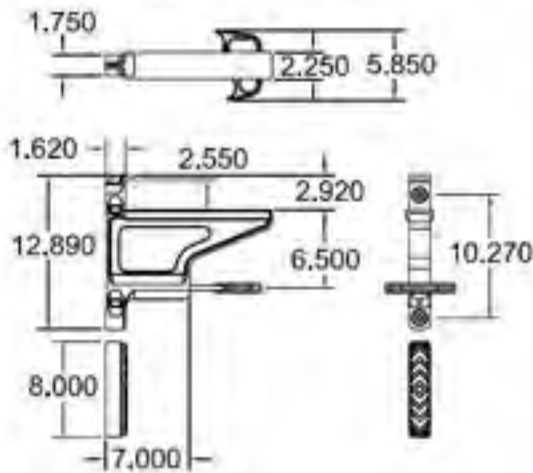


FA0037

FA0037

Ladder Bracket w/ Rubber Pads

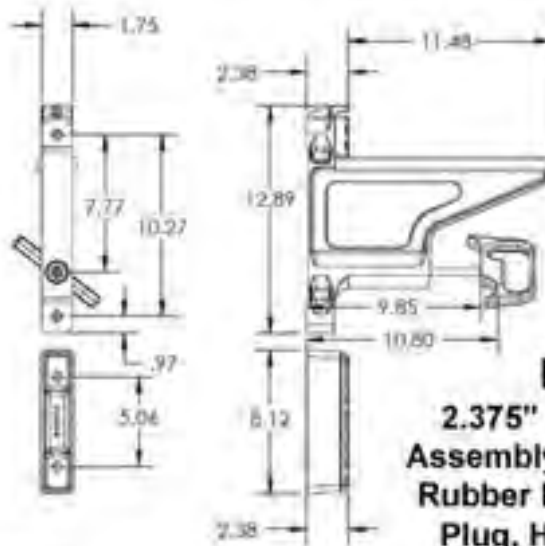
- 1) Finish: Ball-burnished.
- 2) Part sold with upper rubber (FC0016) and lower rubber (FC0015) ladder rests.



FA0043



- 1) Finish: Ball-burnished.
- 2) Complete with Rubber pads.



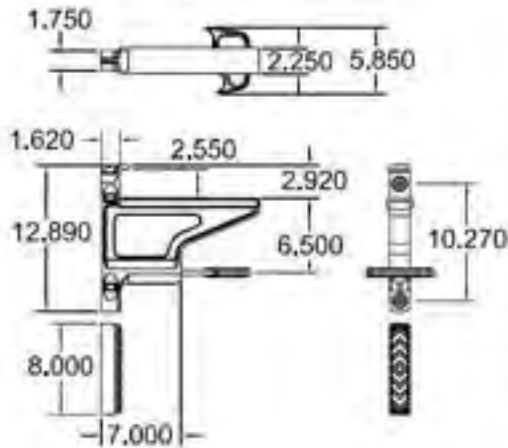
FA0043
**2.375" Ladder Bracket
Assembly w/ Upper, Lower
Rubber Pads and Rubber
Plug, HD0012-1 2-Step
Handle and SS Long-
threaded Rod, 2 pc. Design)**

FA0039

FA0039

Ladder Bracket w/ Rubber Pads

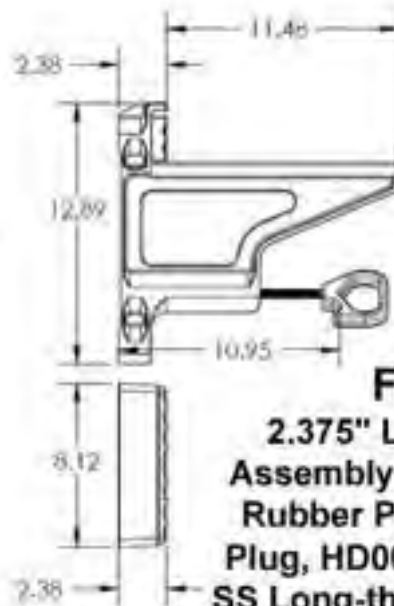
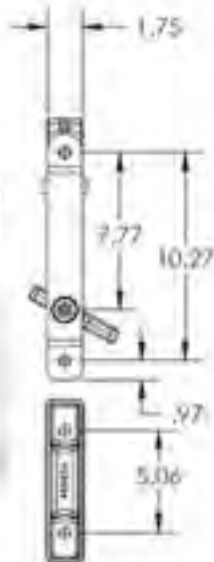
- 1) Finish: Ball-burnished.
- 2) Part sold with upper rubber (FC0016) and lower rubber (FC0015) ladder rests.



FA0044

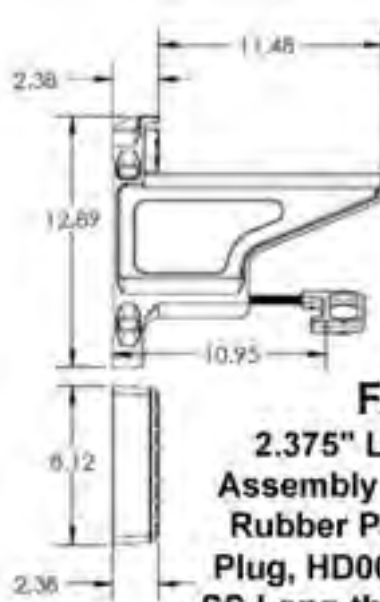
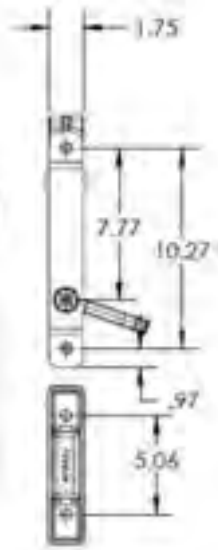


- 1) Finish: Ball-burnished.
- 2) Complete with Rubber pads.



FA0044
**2.375" Ladder Bracket
Assembly w/ Upper, Lower
Rubber Pads and Rubber
Plug, HD0009-1 Handle and
SS Long-threaded Rod, 2 pc
Design**

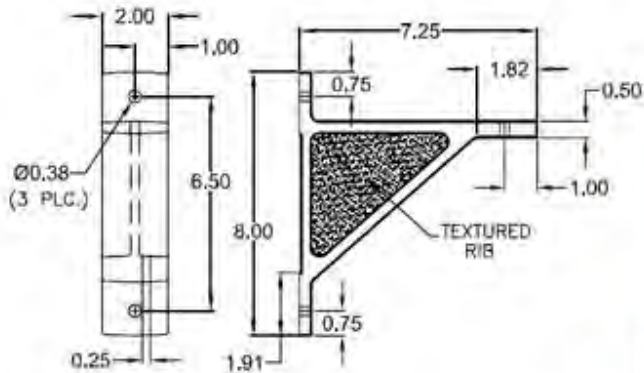
FA0045



- 1) Finish: Ball-burnished.
- 2) Complete with Rubber pads.

FA0045
2.375" Ladder Bracket
Assembly w/ Upper, Lower
Rubber Pads and Rubber
Plug, HD0013-1 Handle and
SS Long-threaded Rod, 2 pc.
Design

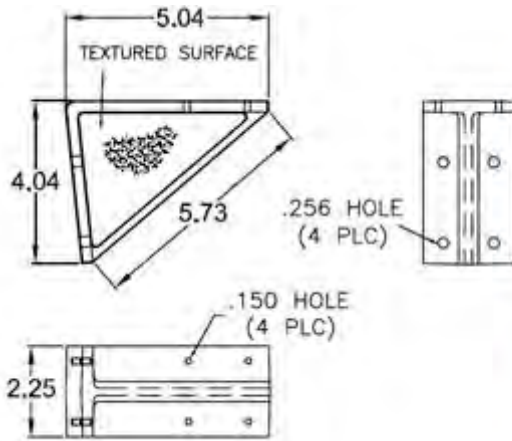
FA2002



FA2002
Hose Tray Carrier
Bracket

- 1) Finish: Bead-blasted.

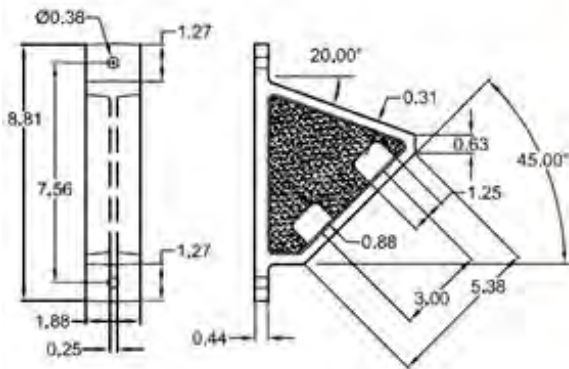
FA2003



FA2003 Hose Trough Bracket

1) Finish: Bead-blasted.

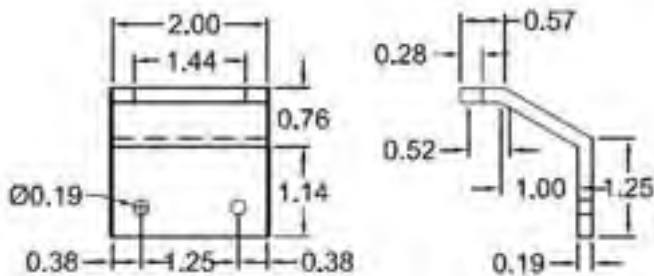
FA2004



FA2004 Hose Trough Bracket

1) Finish: Polished or
bead-blasted.

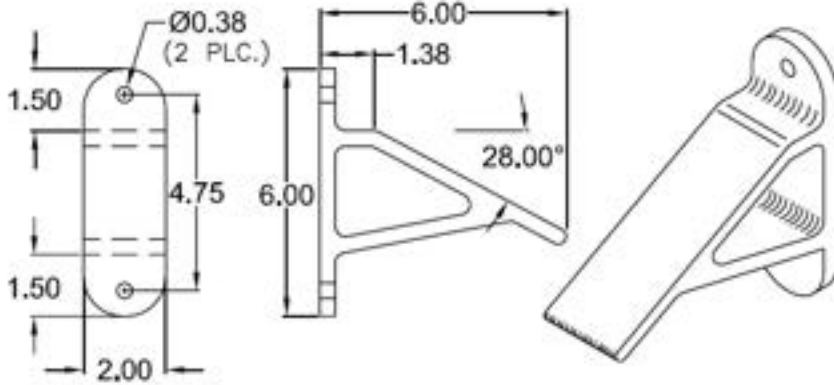
FA2005



FA2005 Hose Trough Bracket

1) Finish: Ball-burnished.

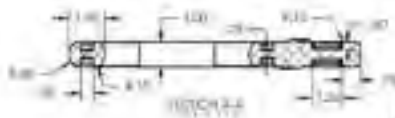
FA2006



**FA2006
Hose Tray Mount
Bracket**

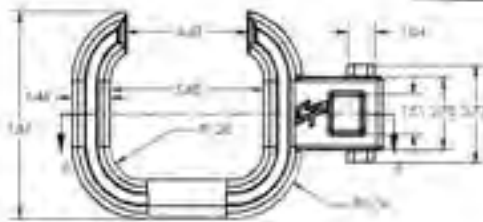
1) Finish: Polished or wheel-a-brated.

FA2011-5 FA2011-5-A

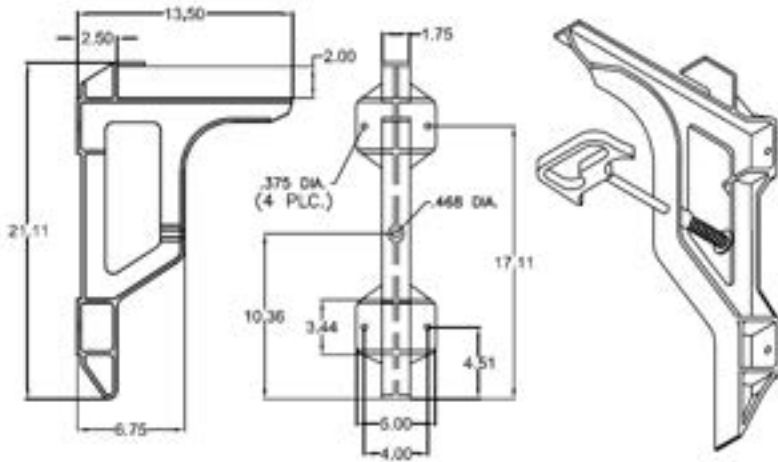


**FA2011-5 & FA2011-5-A
- Hose Hanger Assembly**

1) Finish: Ball-burnished or chromed
2) FA2011-5 Right Opening Assembly shown
3) FA2011-5-A Left Opening Assembly is opposite



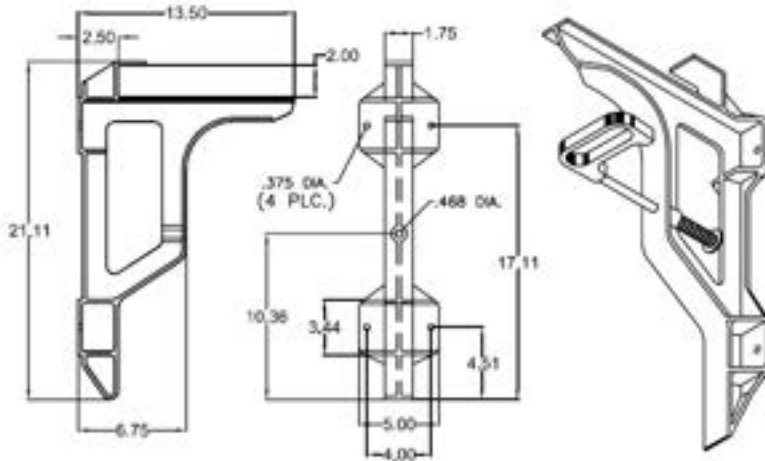
FA4003



FA4003 Ladder Bracket 4" Hole Pattern

- 1) Finish: Wheel-a-brated or ball-burnished.
- 2) Product sold with polished handle (HD0011).

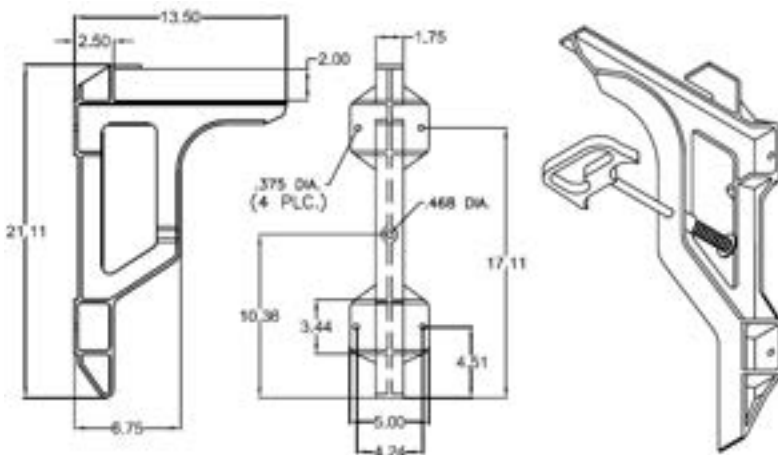
FA4004



FA4004 Ladder Bracket 4" Hole Pattern

- 1) Finish: Wheel-a-brated.
- 2) Product sold with polished handle (HD0013).

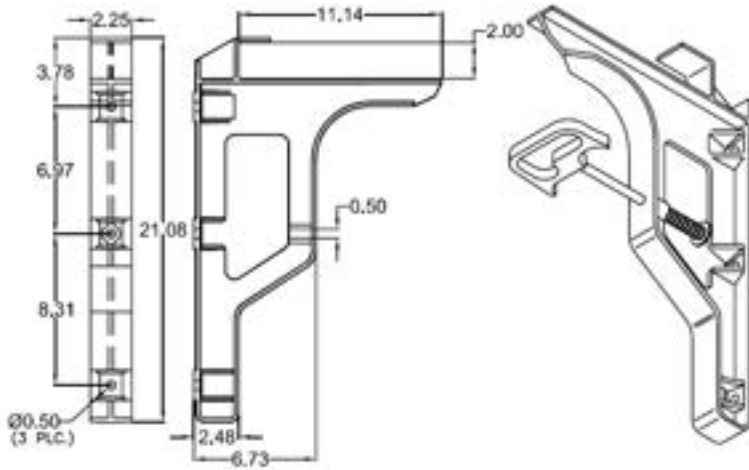
FA4005



FA4005 Ladder Bracket 4.24" Hole Pattern

- 1) Finish: Wheel-a-brated.
- 2) Product sold with polished handle (HD0011).

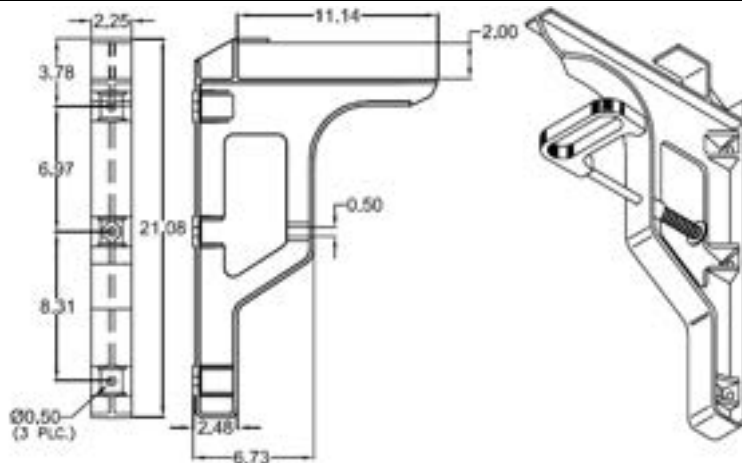
FA4007



FA4007 Ladder Bracket

- 1) Finish: Wheel-a-brated or ball-burnished.
- 2) Product sold with polished handle (HD0011).

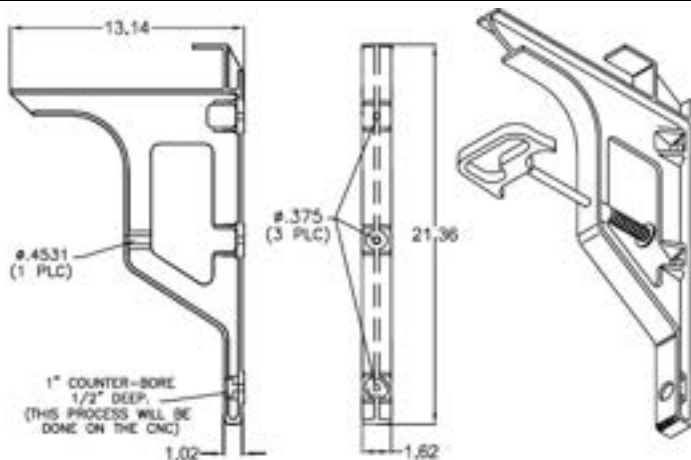
FA4008



FA4008 Ladder Bracket

- 1) Finish: Wheel-a-brated.
- 2) Product sold with polished handle (HD0013).

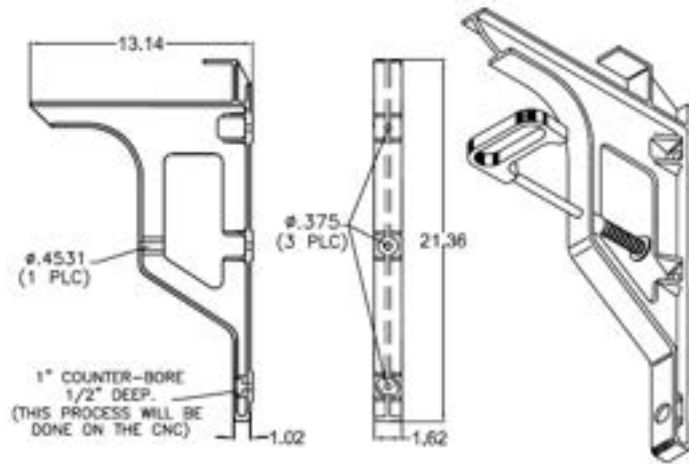
FA4010



FA4010 Ladder Bracket

- 1) Finish: Wheel-a-brated or ball-burnished.
- 2) Product sold with polished handle (HD0011).

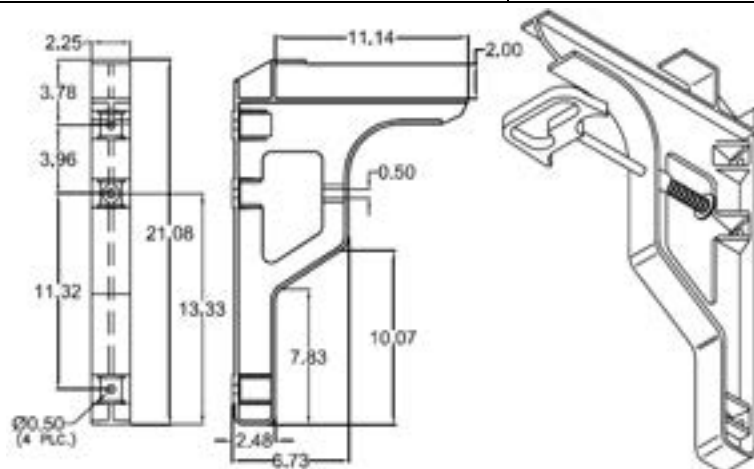
FA4011



FA4011 Ladder Bracket

- 1) Finish: Wheel-a-brated.
- 2) Product sold with polished handle (HD0013).

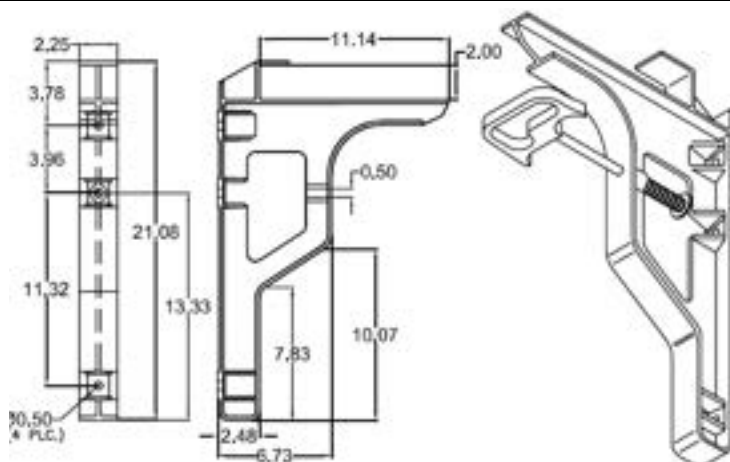
FA4012



FA4012 Ladder Bracket

- 1) Finish: Wheel-a-brated.
- 2) Product sold with polished handle (HD0011).

FA4013



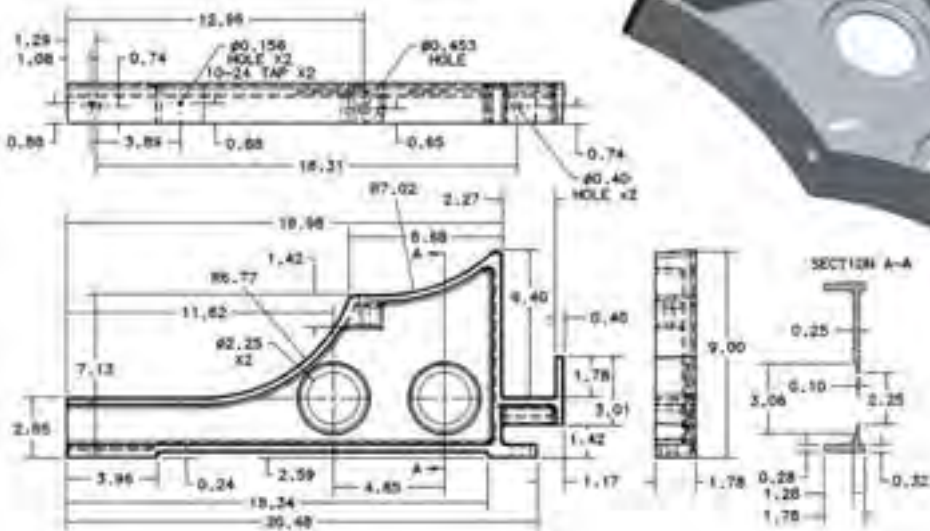
FA4013 Ladder Bracket

- 1) Finish: Ball-burnished.
- 2) Product sold with polished handle (HD0011) and rod threaded 4" on one end. -A with HD0009 Handle.

FA4014

FA4014 Ladder Bracket with Rubber Pads

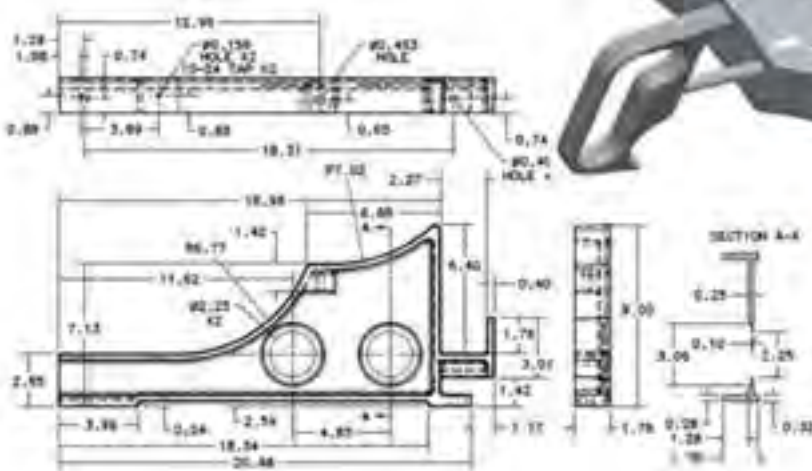
- 1) Finish: Castings is wheel-a-brated.
- 2) Supplied with Rubber Pads.



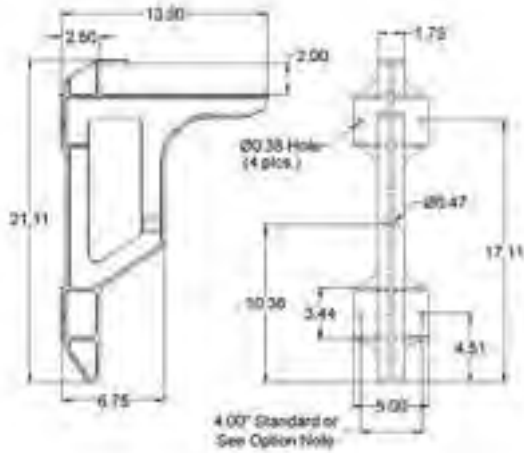
FA4014-A

FA4014-A Ladder Bracket with Handle and Rubber Pads

- 1) Finish: Castings is wheel-a-brated. Handle is polished.
- 2) Supplied with HD0011 Handle, AH0007 SS Rod (9.46" long) and Rubber Pads.
- 3) Rubber stripping around holes not included.



FA4015



FA4015 Ladder Bracket w/ Handle (HD0011) & Plastic Pads

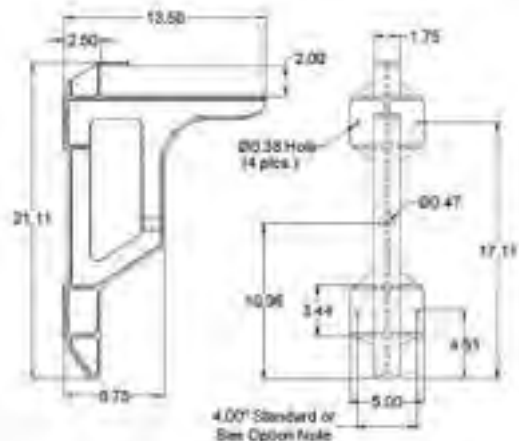


- 1) Finish: Casting is wheel-a-brated. Handle is polished.
- 2) Supplied with HD0011 Handle, AH5001 Rod Assembly, Plastic Pads, and AH0045 screws

FA4015-A

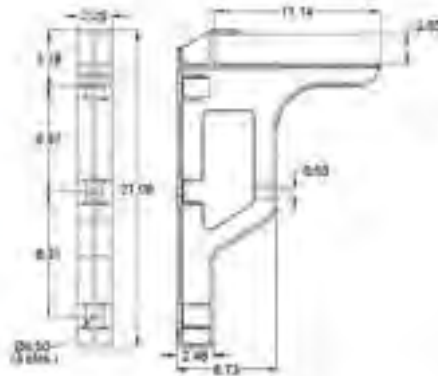


FA4015-A Ladder Bracket w/ Handle (HD0013) & Plastic Pads



- 1) Finish: Casting is wheel-a-brated. Handle is polished.
- 2) Supplied with HD0013 Handle, AH5001 Rod Assembly, Plastic Pads, and AH0045 screws

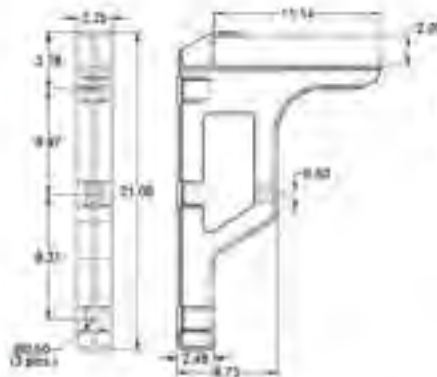
FA4016



FA4016 Ladder Bracket, Single Uni-Strut Mountw/ Handle (HD0011) & Plastic Pads

- 1) Finish: Casting is wheel-a-brated. Handle is polished.
- 2) Supplied with HD0011 Handle, AH5001 Rod Assembly, Plastic Pads, and AH0045 screws

FA4016-A



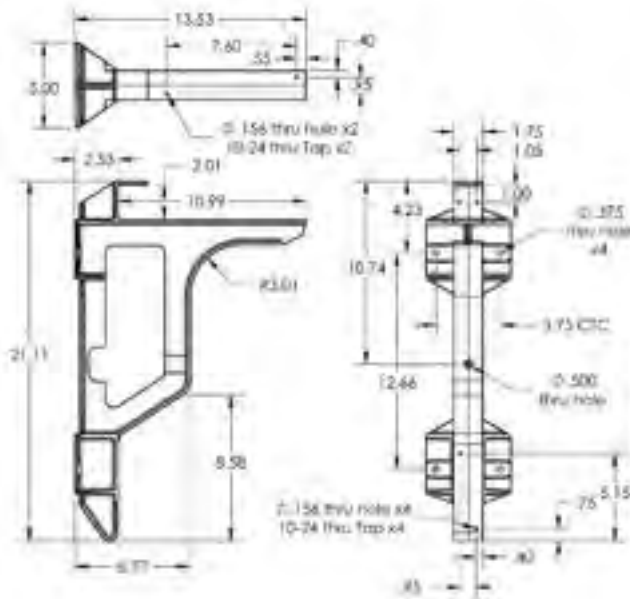
FA4016-A Ladder Bracket, Single Uni-Strut Mount w/ Handle (HD0013) & Plastic Pads

- 1) Finish: Casting is wheel-a-brated. Handle is polished.
- 2) Supplied with HD0013 Handle, AH5001 Rod Assembly, Plastic Pads, and AH0045 screws

FA4018

FA4018
Ladder Bracket with
HD4001 Handle and
plastic pads

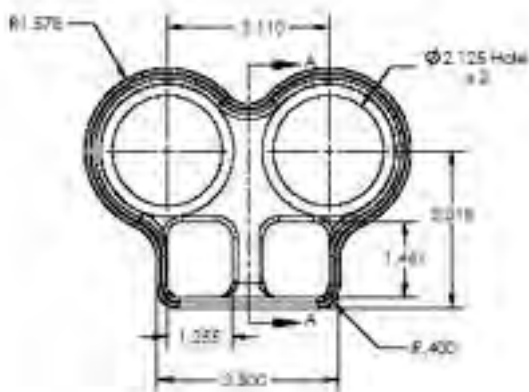
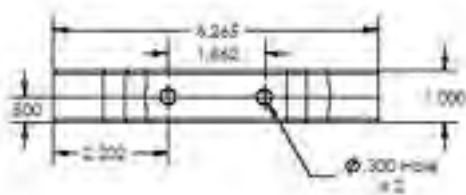
1) Finish wheel-a-brated bracket
and polished handle



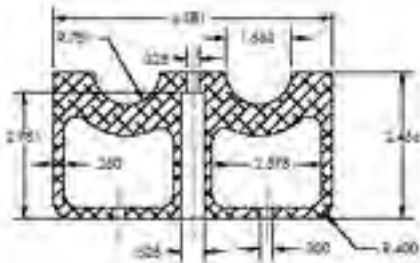
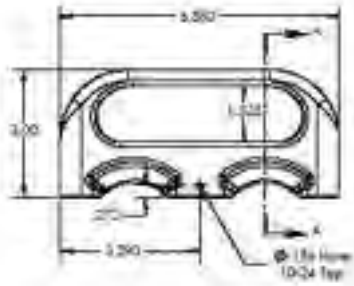
FA5001

FA5001
Enclosed Dual Pike Pole Holder
Assembly w/ Rubber Trim-Lock

1) Finish: Ball-burnished or Powder Coated



FA5002

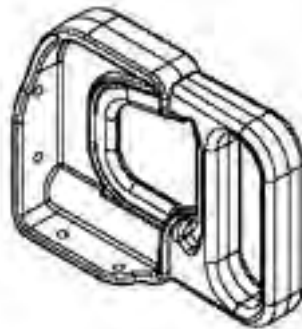
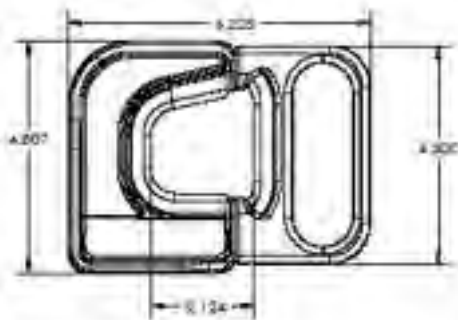
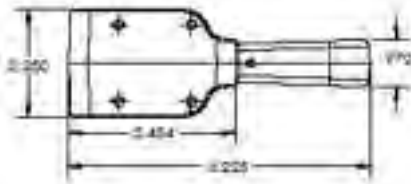


FA5002 Handle & Base Dual Pike Pole Holder Assembly (Spring Loaded, w/ Rubber Trim-Lock)

- 1) Finish: Ball-burnished w/ exterior flange polished and lid face 120 grit ground.
- 2) Angle is 22°
- 3) 2.50" & 1.75" diameter cutouts



FA5003

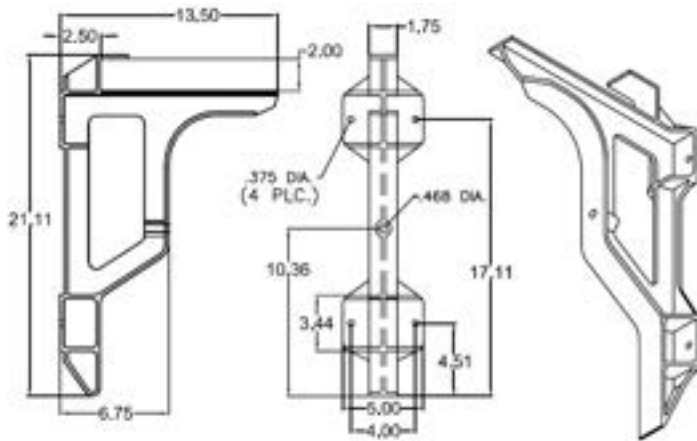


FA5003 Attic Ladder Bracket w/ Handle (Spring Loaded, w/ Rubber Trim-Lock) for Alco-Lite AL-300 Ladder

- 1) Finish. Ball-burnished, powder coated, or polished exterior.
- 2) Ladder bracket for Alco-Lite AL-300 attic ladder



FC4002

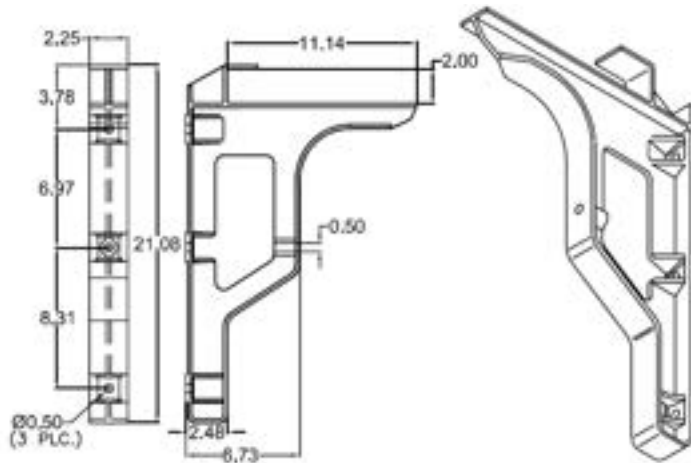


FC4002

Ladder Bracket w/ 4.00" Mounting Holes

1) Finish: Wheel-a-brated.

FC4003

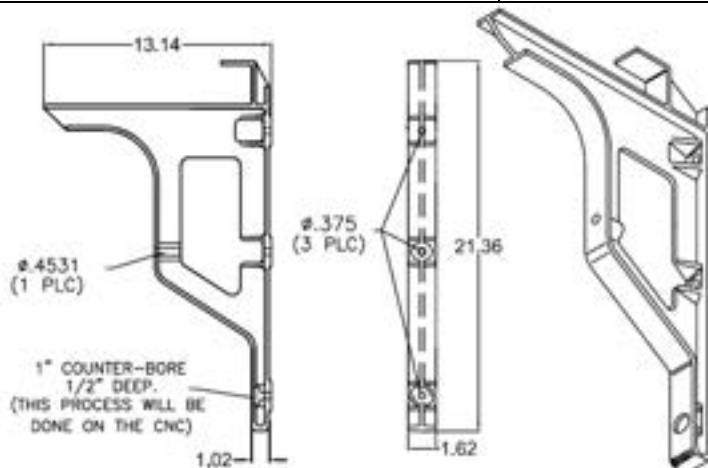


FC4003

Ladder Bracket Single Uni-Strut Mount

1) Finish: Wheel-a-brated.

FC4004

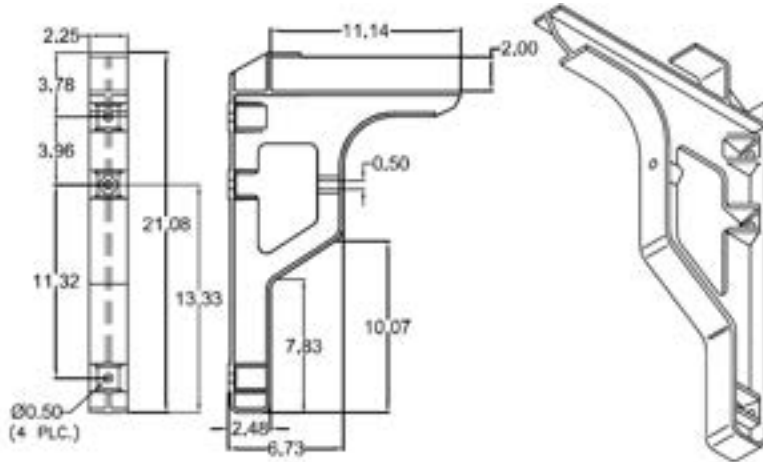


FC4004

Ladder Bracket Single Uni-Strut Mount

1) Finish: Ball-burnished.

FC4005

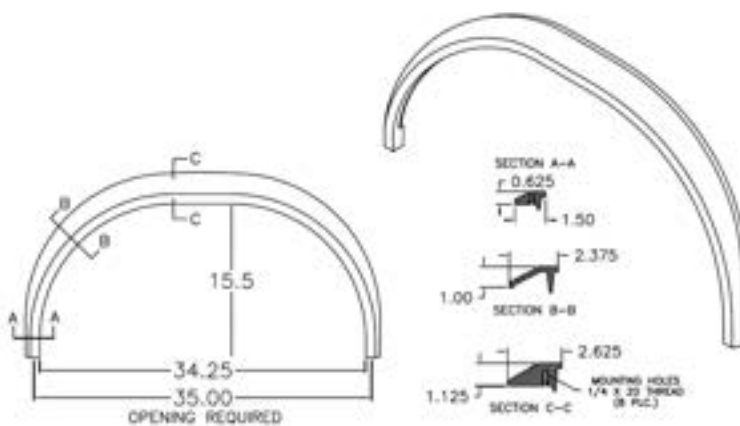


FC4005 Ladder Bracket Single Uni-Strut Mount

1) Finish: Ball-burnished.

Fenderettes

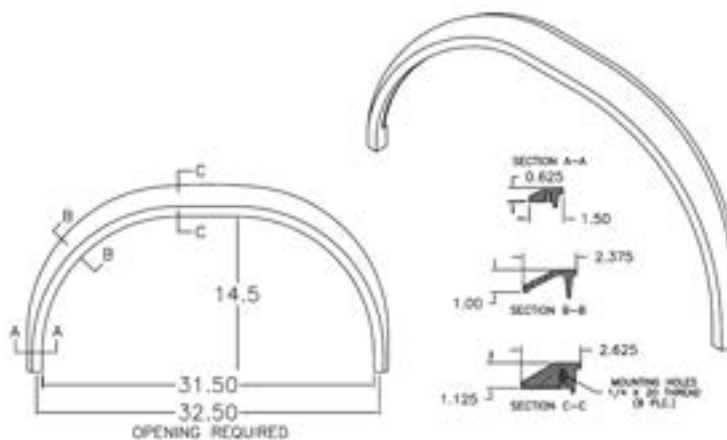
FD1002



FD1002 Fenderette

1) Finish: all exterior surfaces are polished with concealed mounting hardware.

FD1004

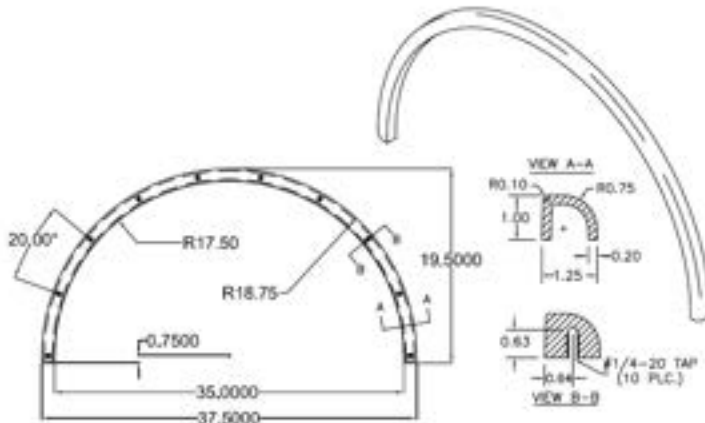


FD1004 Fenderette

1) Finish: all exterior surfaces are polished with concealed mounting hardware.

FD1005

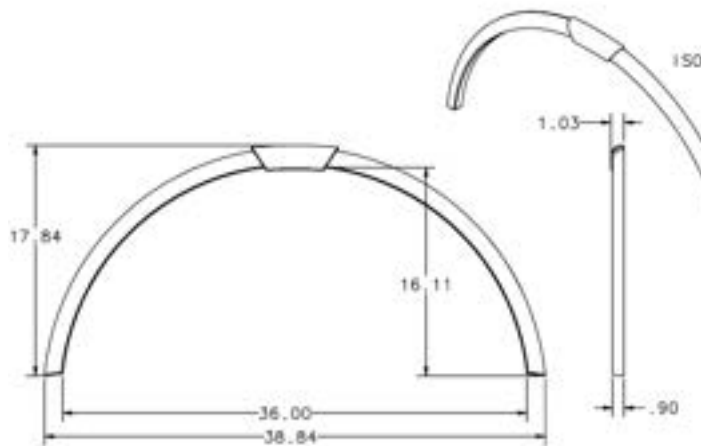
**FD1005
Fenderette
18 3/4" Radius**



1) Finish: all exterior surfaces are polished with concealed mounting hardware.

FD1006

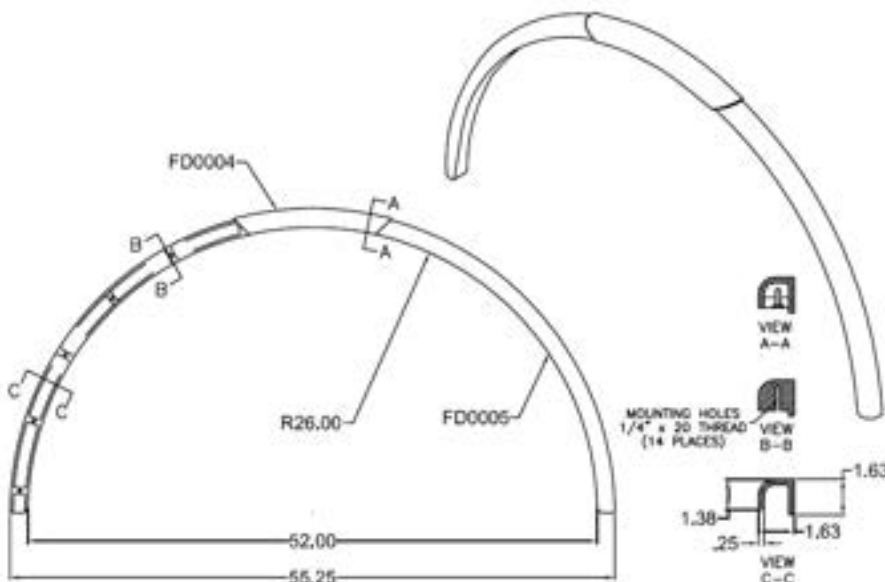
**FD1006
3 Piece Fenderette
16 1/8" Radius**



1) Finish: all exterior surfaces are polished with concealed mounting hardware.
2) Halves are joined together at the crest section with 1/4x20 flat-head screws and retaining tabs (furnished).
3) Units are shipped unassembled.

FD1007

**FD1007
3 Piece Fenderette
26" Radius**



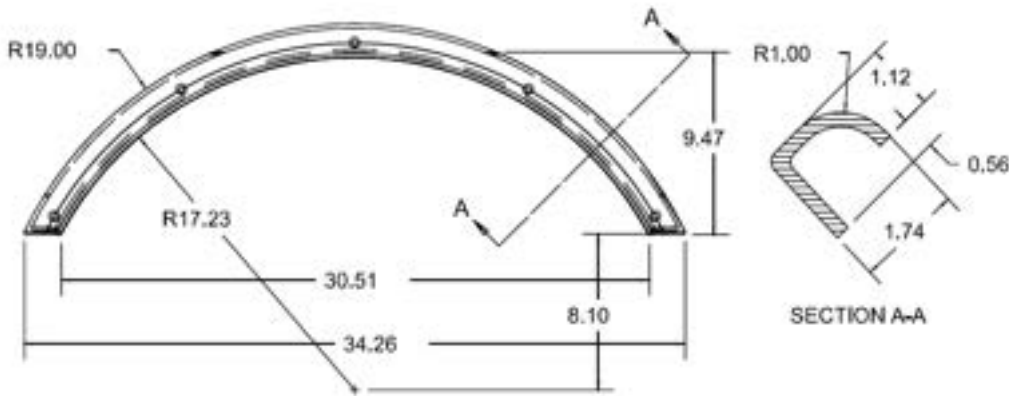
1) Finish: all exterior surfaces are polished with concealed mounting hardware.
2) Halves are joined together at the crest section with 1/4x20 flat-head screws and retaining tabs (furnished).
3) Units are shipped unassembled.

FD1008

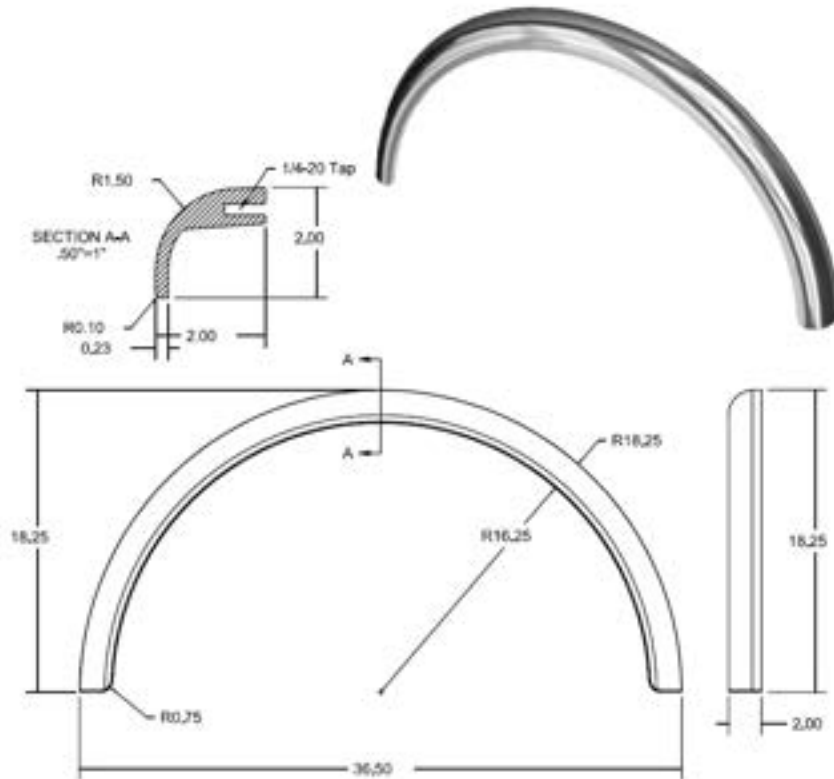


FD1008 Fenderette 17 1/4" Radius

- 1) Finish: ball-burnished.
- 2) Rear notch for 1/4" thick side wall rub rail.



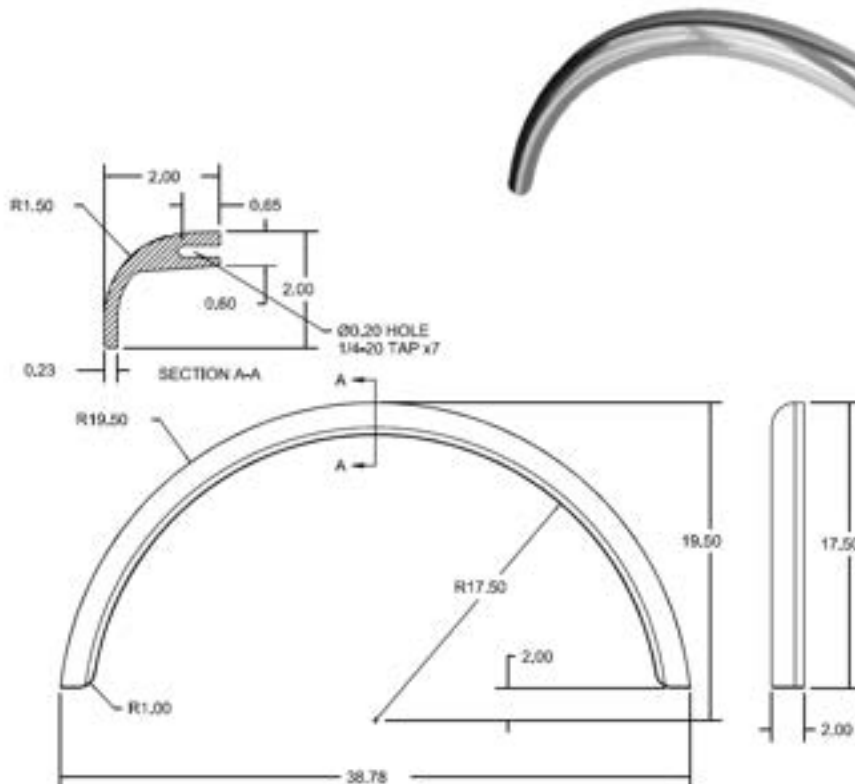
FD1009



FD1009 Fenderette 16 1/4" Radius

1) Finish: all exterior surfaces are polished with concealed mounting hardware.

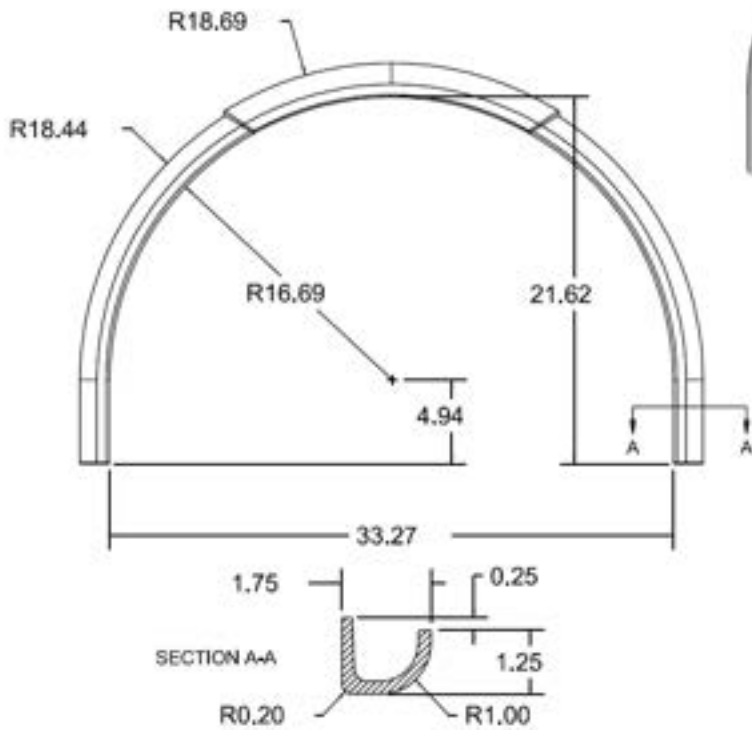
FD1010



FD1010 Fenderette 17 1/2" Radius

1) Finish: all exterior surfaces are polished.
2) Concealed mounting.

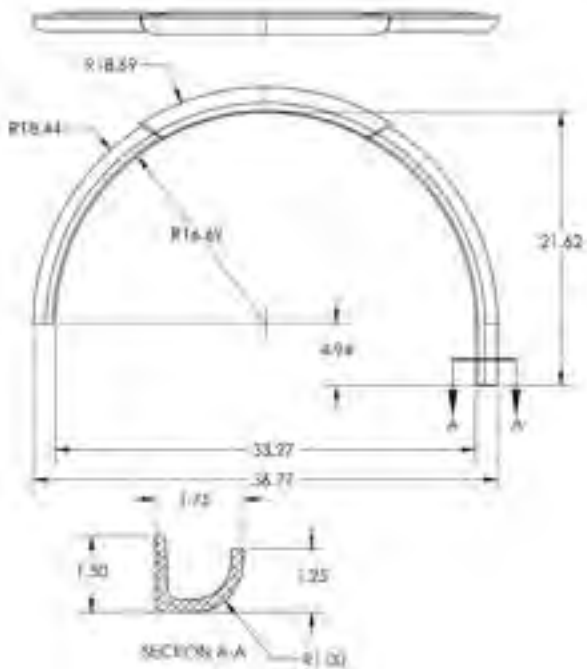
FD1011



FD1011 3 pc. Fenderette 16 5/8" Radius

- 1) Finish: all exterior surfaces are polished.
- 2) Concealed mounting.

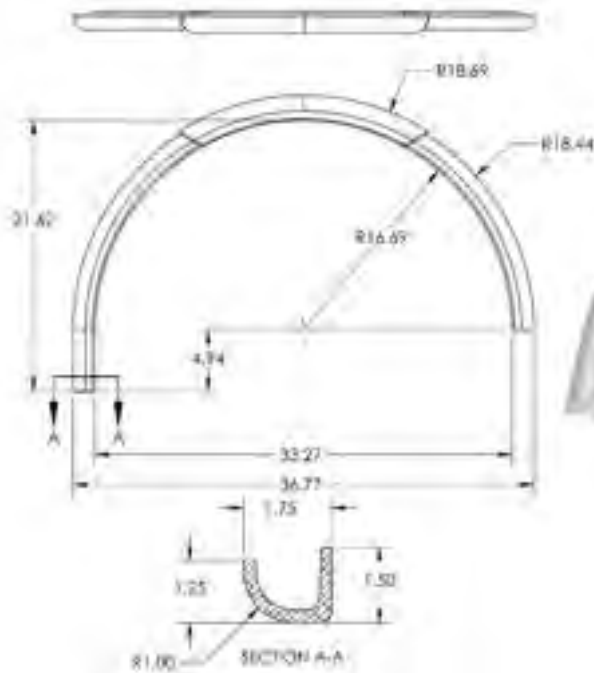
FD1012



FD1012 3 pc. Fenderette 16 5/8" Radius

- 1) Finish: all exterior surfaces are polished.
- 2) Concealed mounting.

FD1013



FD1013

3 pc. Fenderette 16 5/8" Radius

- 1) Finish: all exterior surfaces are polished.
- 2) Concealed mounting.

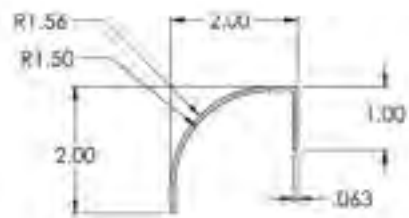
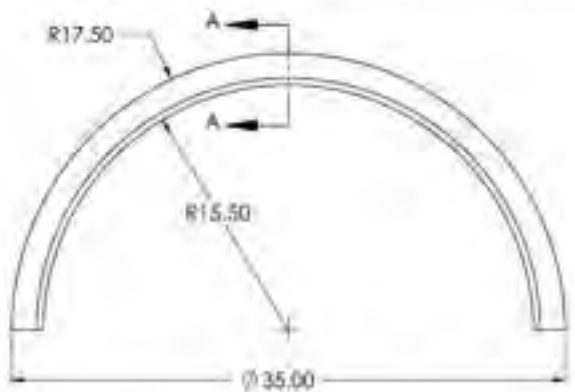
FD1014



FD1014

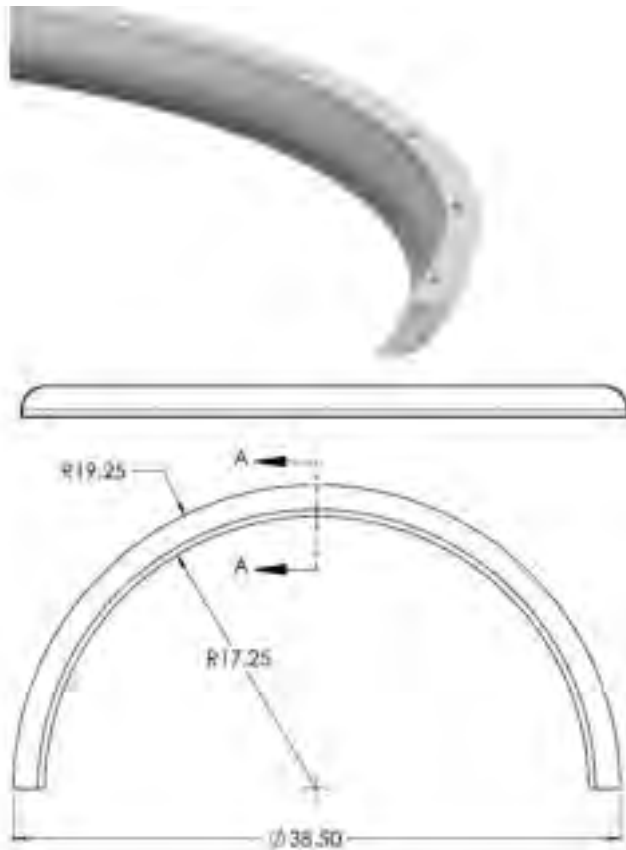
Fenderette, 1 Piece, 15.50" ID Radius

1. Material: 304 stainless steel (16 gauge).
2. Finish: (-1) Polished exterior.



SECTION A-A

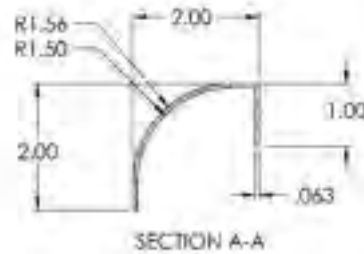
FD1015



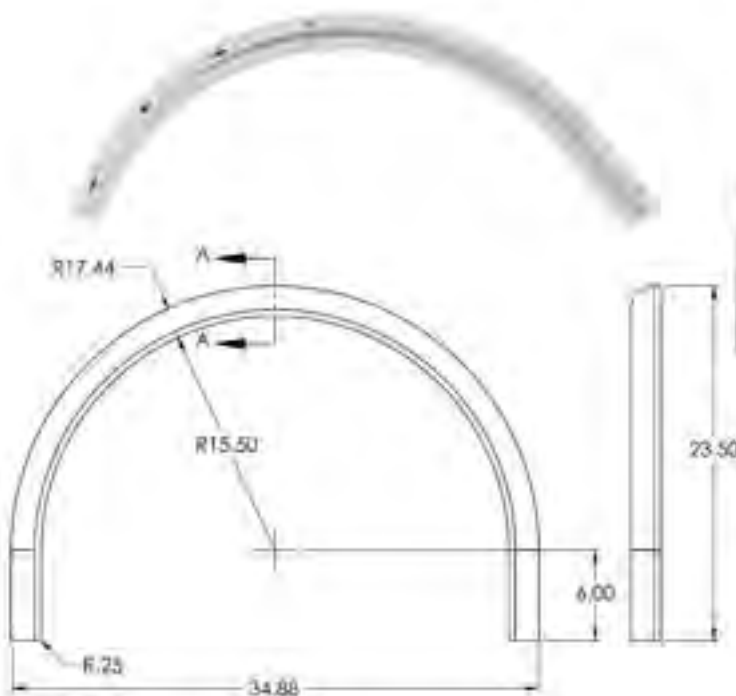
FD1015

Fenderette, 1 Piece, 17.25"
ID Radius

1. Material: 304 stainless steel (16 gauge).
2. Finish: (-1) Polished exterior.



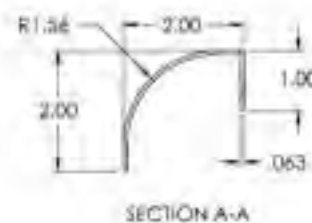
FD1016



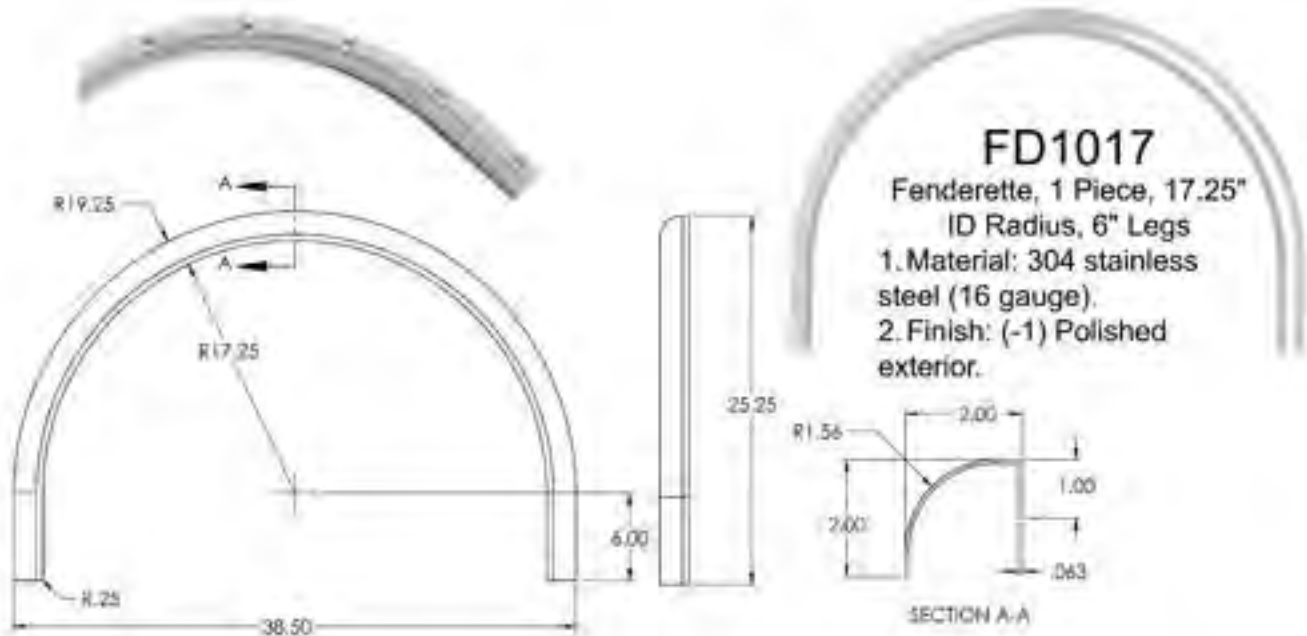
FD1016

Fenderette, 1 Piece, 15.50"
ID Radius, 6" Legs

1. Material: 304 stainless steel (16 gauge).
2. Finish: (-1) Polished exterior.

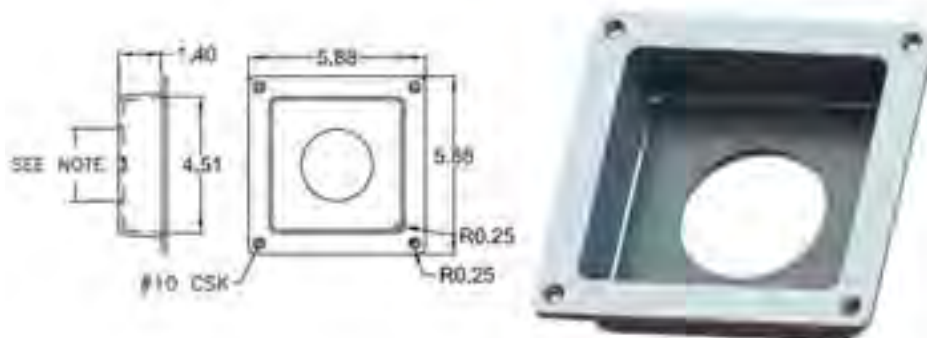


FD1017



Fuel Filler Guards

FG0001

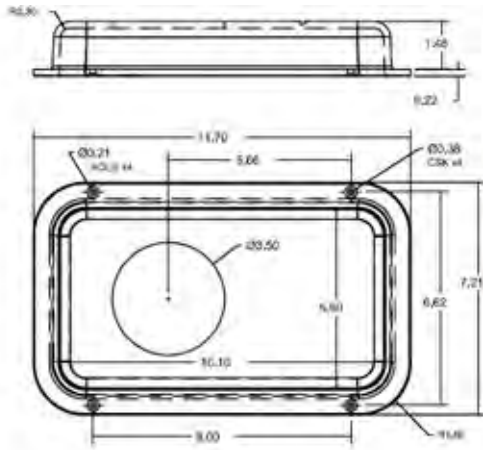


FG0001

Gas Fill Guard 0° Angle

- 1) Finish: Flange is polished. Inside is bead-blasted.
- 2) Angle: 0°
- 3) Customer please specify when ordering: 2 1/4", 2 1/2", 2 5/8" hole diameter size.

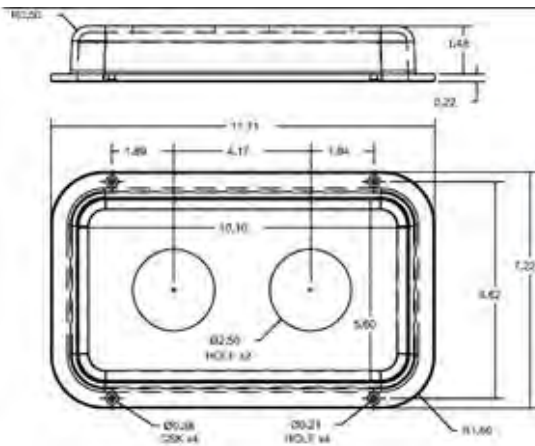
FG0002-A



FG0002-A Water Inlet Panel Recessed Box

- 1) Finish: Ball-burnished.
- 2) Angle: 0°
- 3) Single 3 1/2" hole.

FG0002-B



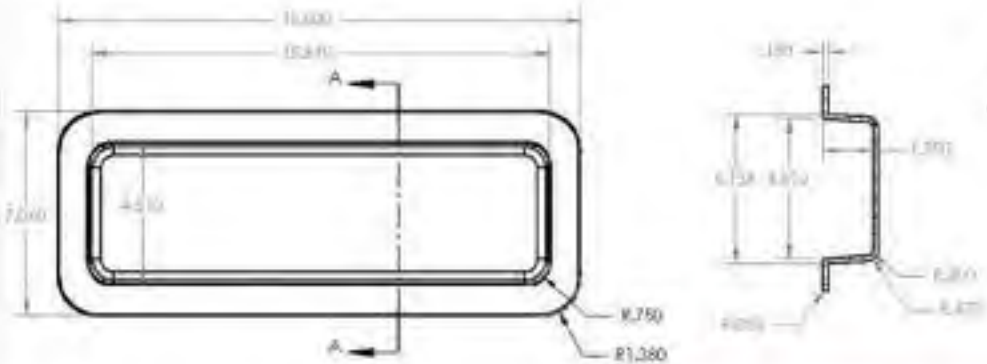
FG0002-B Shore Power Panel Recessed Box

- 1) Finish: Ball-burnished.
- 2) Angle: 0°
- 3) Dual 2 1/2" holes.

FG0003

**FG0003-5
Recessed Shoreline Box**

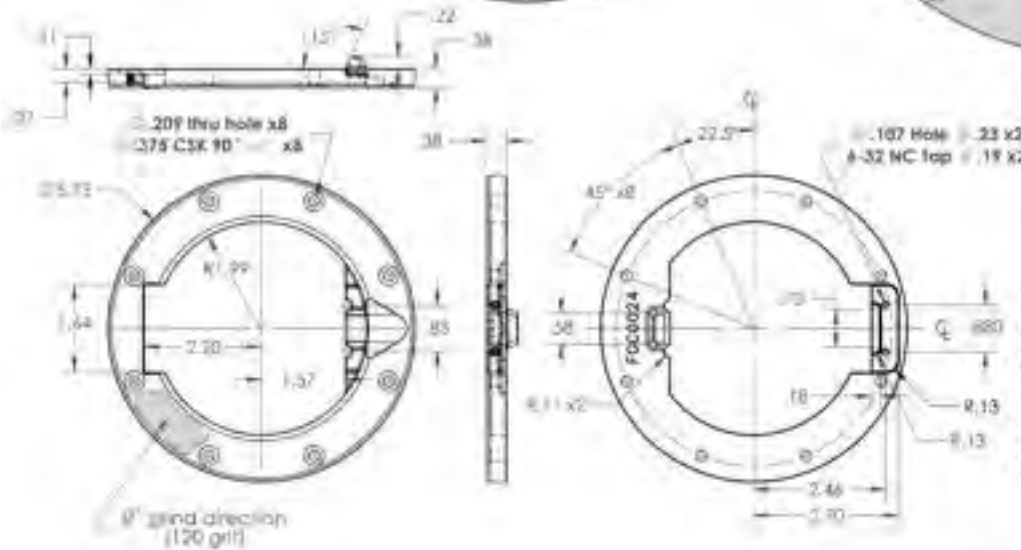
1) Finish: Ball-burnished.



FG0006-2_Cyl_Lock

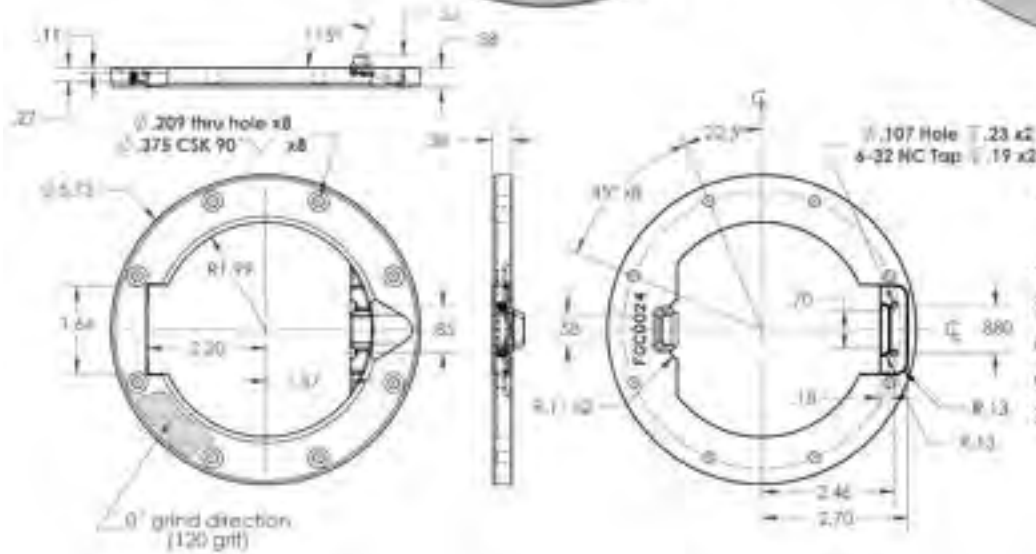


FG0006-2_Cyl_Lock
Fuel Filler Door
Assembly, Keyed
Cylinder Lock



1. Finish: ball-burnished interior with 120 grit directional grind on face (0 d.) and outside edge.
2. With Keyed Cylinder Lock

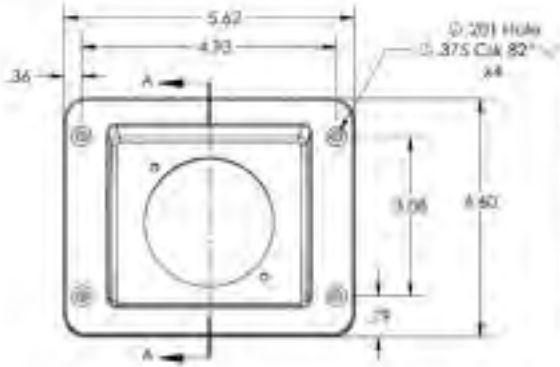
FG0006-2_Friction



FG0006-2_Friction
Fuel Filler Door
Assembly, Roller Detent

1. Finish: ball-burnished interior with 120 grit directional grind on face (0 d.) and outside edge.
2. With Roller Detent.

FG0501

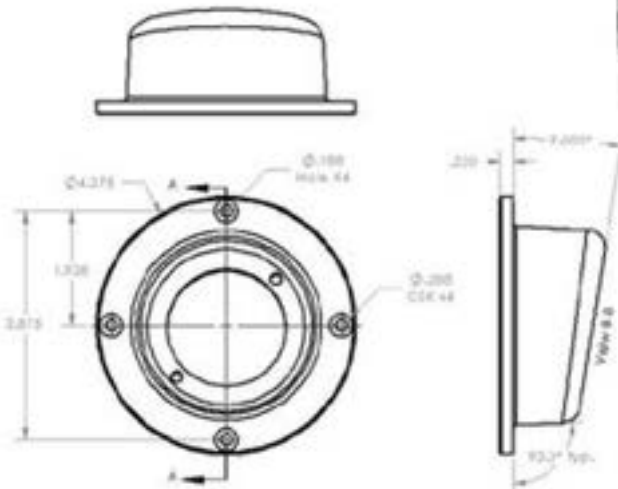


FG0501

5.62d. Fuel Filler Guard w/ 2.5" Hole & .1563" Holes x2

- 1) Finish: (-1) Polished flange w/ interior wheel-a-brated.

FG0901

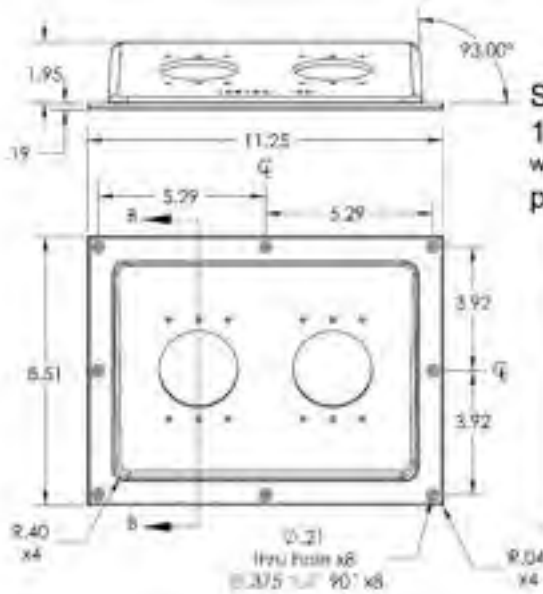


FG0901

9d. Fuel Filler Guard

- 1) Finish: Exterior flange is polished. Interior is wheel-a-brated.
- 2) Angle: 9 degree.
- 3) Rear hole is 2.00".

FG1501



FG1501

Shoreline Pocket Casting

1) Finish: Interior is ball-burnished with flange surface and edges polished.



FG1801



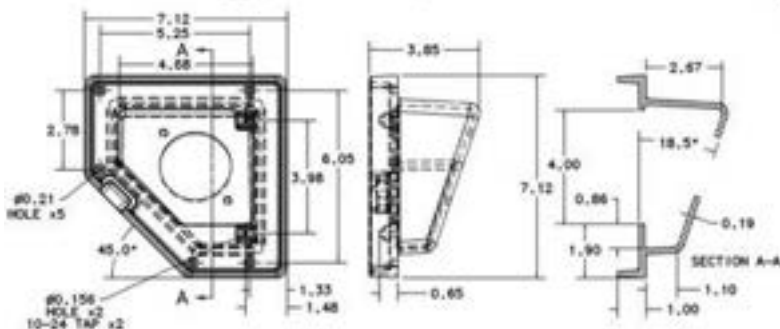
FG1801

18.5d. Fuel Filler Guard with Lid

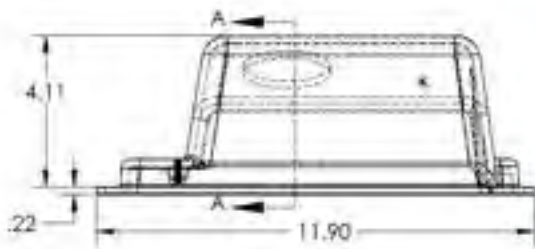
1) Finish: Exterior flange is polished. Interior is wheel-a-brated. Lid is 120 grit directional ground.

2) Angle: 18.5 degree.

3) Rear hole is 2.50".

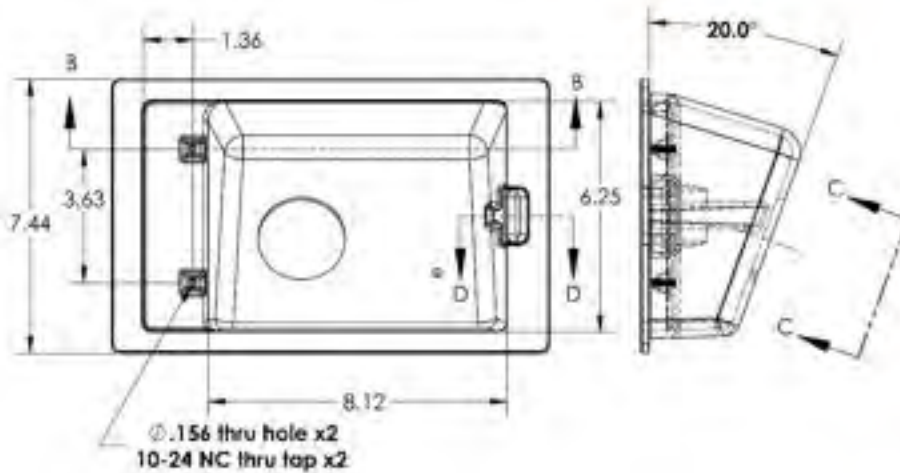


FG2001



FG2001 20d Fuel Filler Guard, Hinges Left

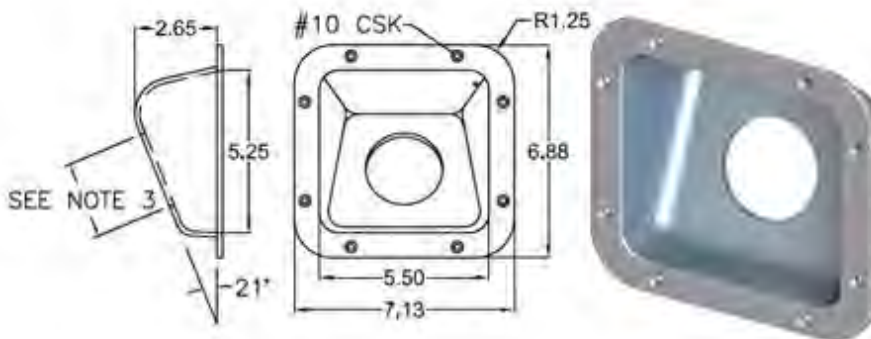
1) Finish: VFM for painting.



FG2101

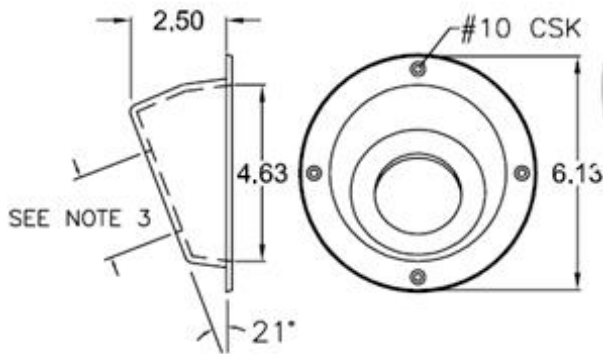
FG2101 Gas Fill Guard 21° Angle

- 1) Finish: Flange is polished. Inside is bead-blasted.
- 2) Angle: 21°
- 3) Customer please specify when ordering: 2 1/4", 2 1/2", 2 5/8" hole diameter size.



FG2102

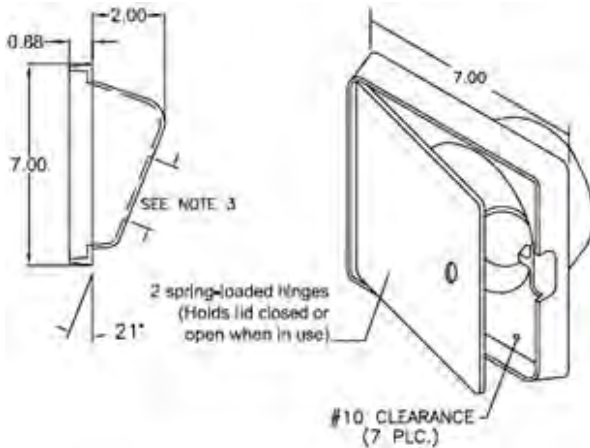
FG2102 Gas Fill Guard 21° Angle



- 1) Finish: Flange is polished. Inside is bead-blasted.
- 2) Angle: 21°
- 3) Customer please specify when ordering: 2 1/4", 2 1/2", 2 5/8" hole diameter size.

FG2103

FG2103 Gas Fill Guard with Lid 21° Angle



- 1) Finish: Flange is polished. Inside is bead-blasted. Lid is 120 grit directional ground.
- 2) Angle: 21°
- 3) Customer please specify when ordering: 2 1/4", 2 1/2", 2 5/8" hole diameter size.
- 4) All concealed hinges and mounting hardware.

FG2104

1) Finish: Flange is polished, inside is ball-burnished

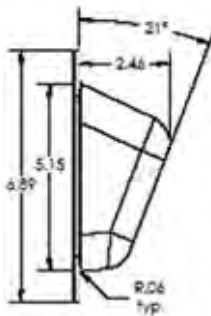
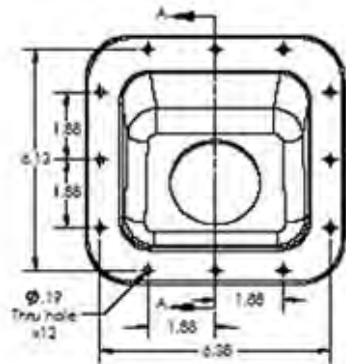
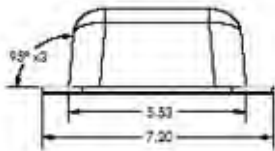
2) Part numbers & options:

FG2104-1-225 for 2.250" rear hole

FG2104-1-238 for 2.375" rear hole

FG2104-1-250 for 2.500" rear hole

FG2104-1-263 for 2.625" rear hole



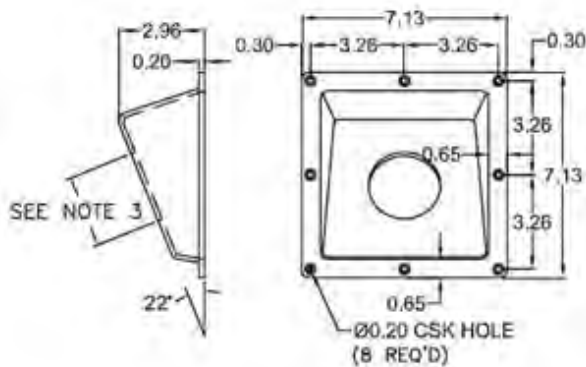
FG2104 Gas Fill Guard 22° Angle



FG2201

FG2201

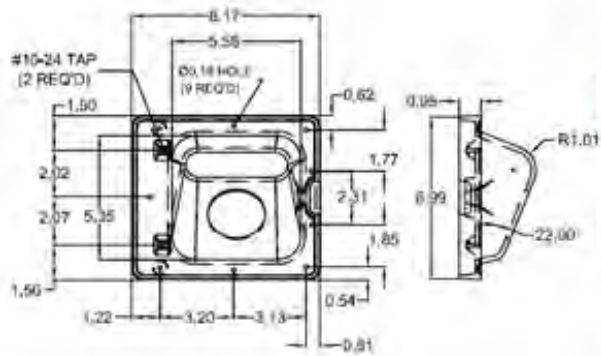
Gas Fill Guard 22° Angle



- 1) Finish: Flange is polished. Inside is bead-blasted.
- 2) Angle 22°
- 3) Customer please specify when ordering: 2 1/4", 2 1/2", 2 5/8" hole diameter size.

FG2204

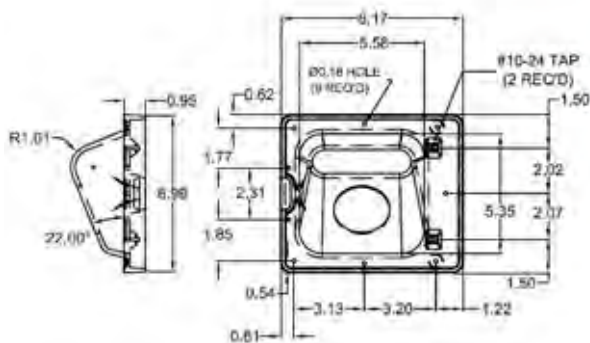
FG2204 Gas Fill Guard 22° Angle



- 1) Finish: Flange is polished. Inside is bead-blasted. Lid is 120 grit directional ground.
- 2) Angle: 21°
- 3) Customer please specify when ordering: 2 1/4", 2 1/2", 2 5/8" hole diameter size.
- 4) All concealed hinges and mounting hardware.

FG2205

FG2205 Gas Fill Guard 22° Angle



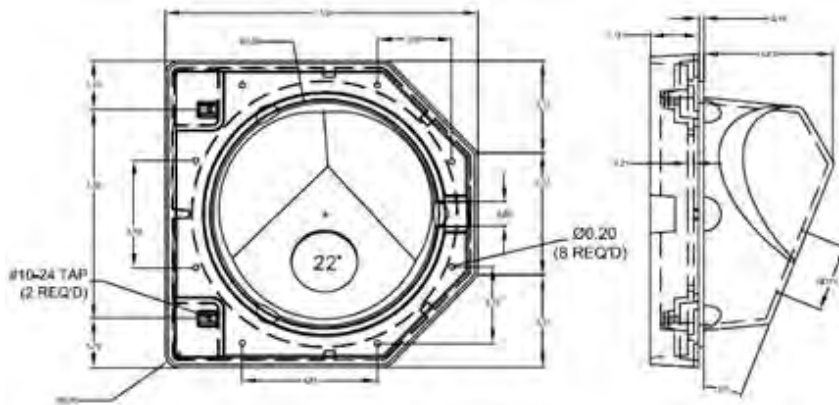
- 1) Finish: Flange is polished. Inside is bead-blasted. Lid is 120 grit directional ground.
- 2) Angle: 21°
- 3) Customer please specify when ordering: 2 1/4", 2 1/2", 2 5/8" hole diameter size.
- 4) All concealed hinges and mounting hardware.

FG2206

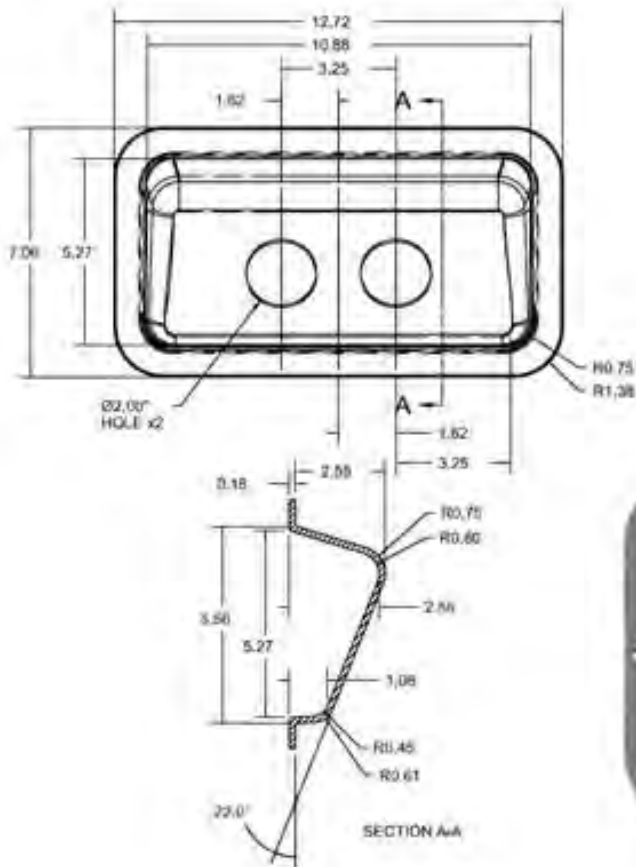


FG2206 Gas Fill Guard (22° Angle) with Lid

- 1) Finish: Guard is wheel-a-brated. Flange is polished. Lid is 120 grit directional ground.
- 2) Customer please specify when ordering: 2 1/4", 2 1/2", or 2 5/8" hole size.
- 3) Angle: 22°
- 4) Use with ADC0028 Access Flange to keep the same appearance as the O₂ Bottle doors.



FG2207

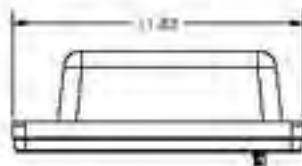
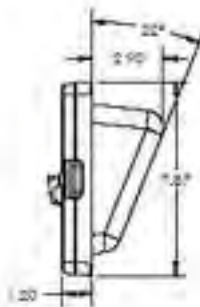


FG2207 Fuel Filler Guard 22° Angle

- 1) Finish: Flange polished. Inside is ball-burnished.
- 2) Angle: 22°
- 3) Std. with no holes. -A option for dual 2" holes.



FG2208



FG2208 Dual Fuel Filler Guard (22° Angle, 2.50" & 1.75" Holes) w/ Southco 200 Series "Lift & Turn" Latch for 2011 Ford F Series SD

- 1) Finish: Ball-burnished w/ exterior flange polished and lid face 120 grit ground.
- 2) Angle is 22°
- 3) 2.50" & 1.75" diameter cutouts



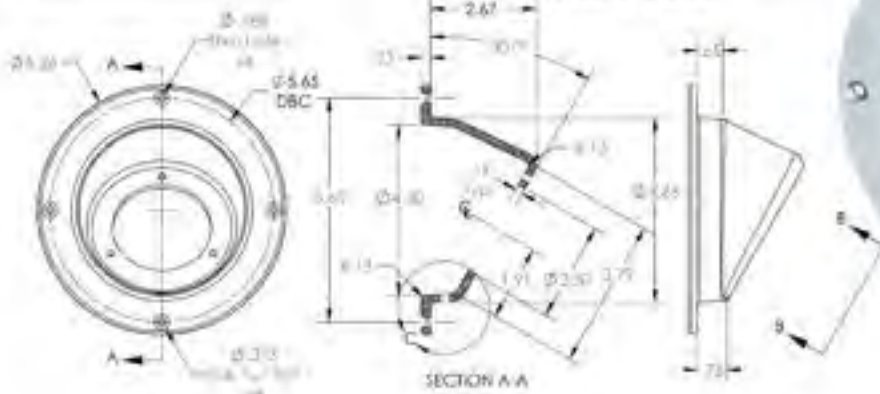
FG3001



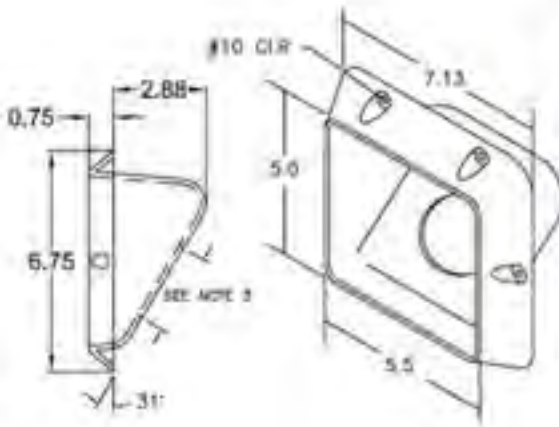
FG3001

Fuel Filler Cup Casting 30d.

- 1) Finish: Flange is polished. Interior is wheel-a-brated.



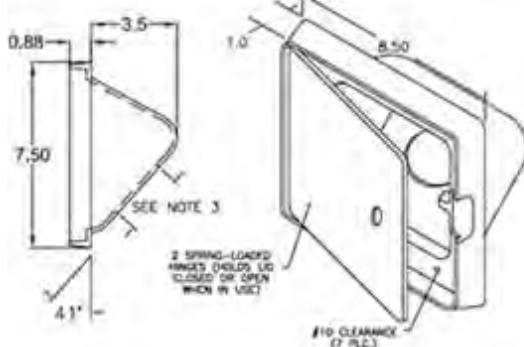
FG3101



FG3101 Gas Fill Guard 31° Angle

- 1) Finish: Flange is polished. Inside is Bead-blasted.
- 2) Angle: 31°
- 3) Customer please specify when ordering: 2 1/4", 2 1/2", 2 5/8" hole diameter size.

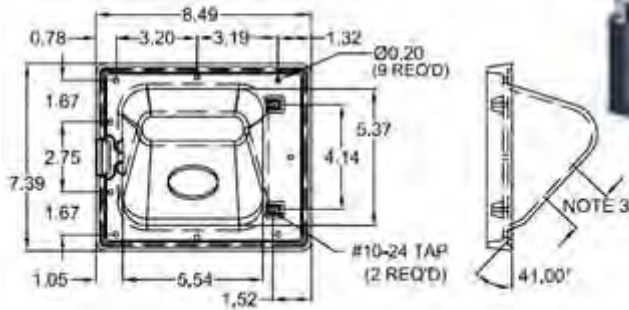
FG4101



FG4101 Gas Fill Guard (41° Angle) with Lid

- 1) Finish: Flange is polished. Inside is Bead-blasted. Lid is 120 grit directional ground.
- 2) Angle: 41°
- 3) Customer please specify when ordering: 2 1/4", 2 1/2", or 2 5/8" hole diameter size.
- 4) All concealed hinges and mounting hardware.

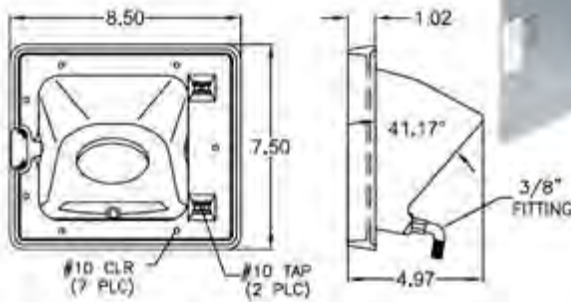
FG4102



FG4102 Gas Fill Guard (41° Angle) with Lid

- 1) Finish: Flange is polished. Inside is Bead-blasted. Lid is 120 grit directional ground.
- 2) Angle: 41°
- 3) Customer please specify when ordering: 2 1/4", 2 1/2", or 2 5/8" hole diameter size.
- 4) All concealed hinges and mounting hardware.

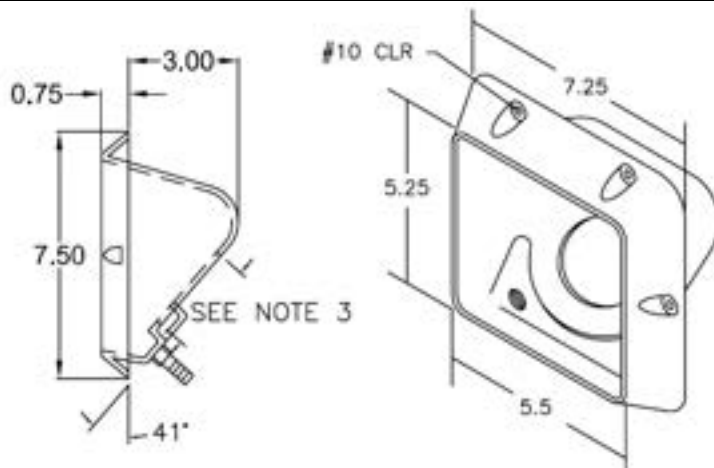
FG4103



FG4103 Gas Fill Guard (41° Angle) with Lid

- 1) Finish: Flange is polished. Inside is Bead-blasted. Lid is 120 grit directional ground.
- 2) Angle: 41°
- 3) Customer please specify when ordering: 2 1/4", 2 1/2", 2 5/8" hole diameter size.
- 4) All concealed hinges and mounting hardware and "*spill sump*" included.

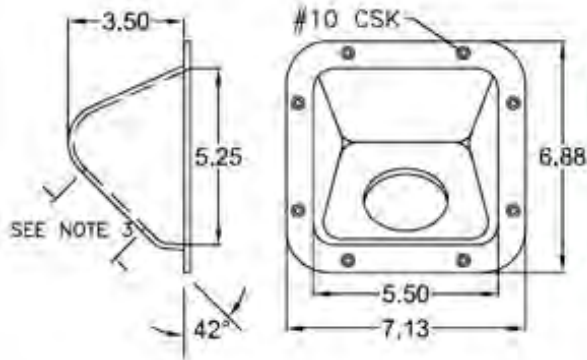
FG4104



FG4104 Gas Fill Guard 41° Angle

- 1) Finish: Flange is polished. Inside is Bead-blasted.
- 2) Angle: 41°
- 3) Customer please specify when ordering: 2 1/4", 2 1/2", 2 5/8" hole diameter size.
- 4) "*Spill sump*" uses fuel resistant nylon fitting (provided).

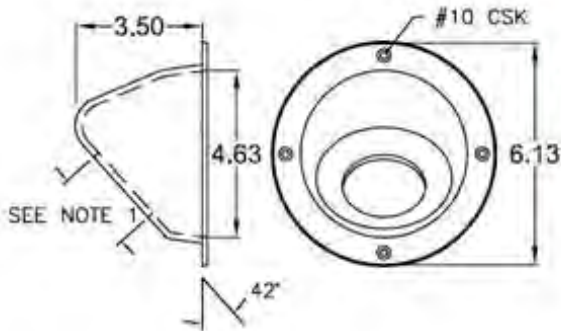
FG4201



FG4201 Gas Fill Guard 42° Angle

- 1) Finish: Flange is polished. Inside is Bead-blasted.
- 2) Angle: 42°
- 3) Customer please specify when ordering 2 1/4", 2 1/2", or 2 5/8" hole diameter size.

FG4202



FG4202 Gas Fill Guard 42° Angle

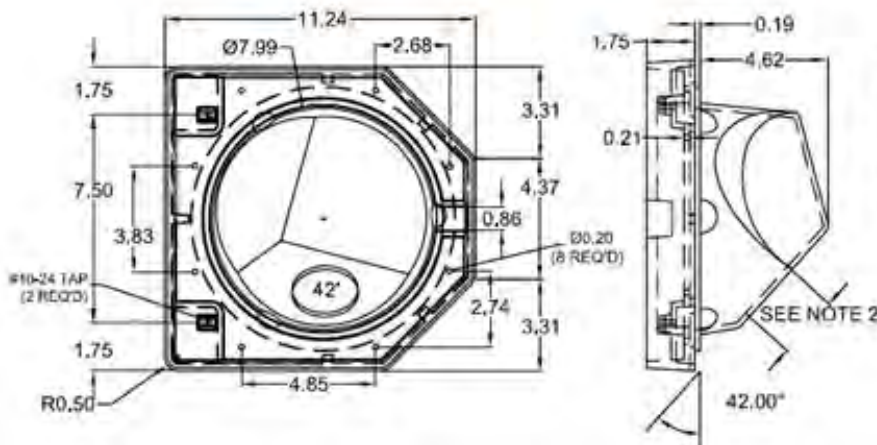
- 1) Finish: Flange is polished. Inside is Bead-blasted.
- 2) Angle: 42°
- 3) Customer please specify when ordering 2 1/4", 2 1/2", or 2 5/8" hole diameter size.

FG4204



FG4204 Gas Fill Guard (42° Angle) with Lid

- 1) Finish: Guard is wheel-a-brated. Flange is polished. Lid is 120 grit directional ground.
- 2) Customer please specify when ordering: 2 1/4", 2 1/2", or 2 5/8" hole size.
- 3) Angle: 42°
- 4) Use with ADC0028 Access Flange to keep the same appearance as the O₂ Bottle doors.



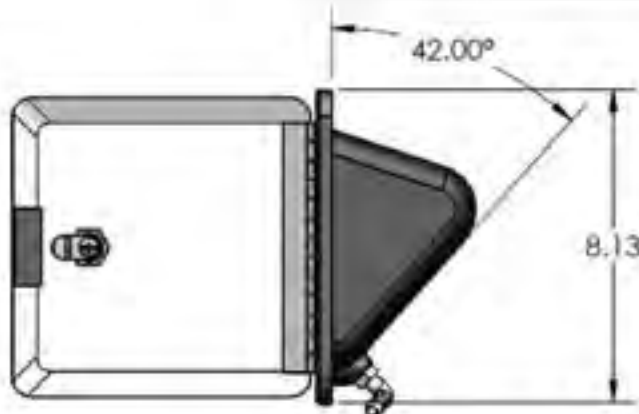
FG4205

FG4205 Stainless Fuel Filler, 4d., Door Flange, Lid and Plastic Injected Fuel Filler.

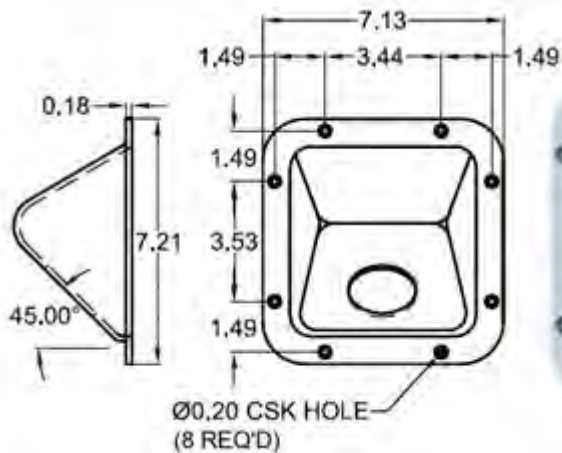
- 1) All concealed mounting hardware. Stainless Piano Hinge.
- 2) Thick Rubber Gasket for sealing Flange to Lid. Rubber Gasket for mounting to rear of Plastic Injected Fuel Filler.
- 3) Multiple rear hole options available
- 4) Fuel Sump area and Nylon Drain Fitting built in.
- 5) 3/4" Keyed Cylinder Latch



Options:
Lid: Brushed or
polished finish.



FG4501



FG4501 Gas Fill Guard 45° Angle

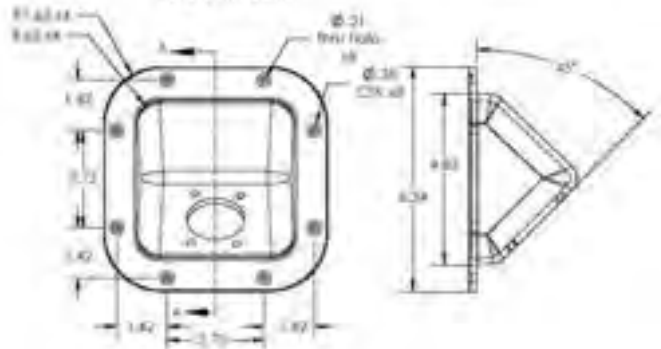
- 1) Finish: Flange is polished. Inside is Bead-blasted.
- 2) Angle: 45°
- 3) Customer please specify when ordering 2 1/4", 2 1/2", or 2 5/8" hole diameter size.

FG4502



FG4502 Fuel (or Urea) Filler Guard (45° Angle)

- 1) Finish: Ball-burnished w/ exterior flange polished.
- 2) Angle is 45°
- 3) For Urea Filler Necks™
1 5/8" center hole with four .220" holes or -A version with 1 5/8" center hole and three .250" holes.

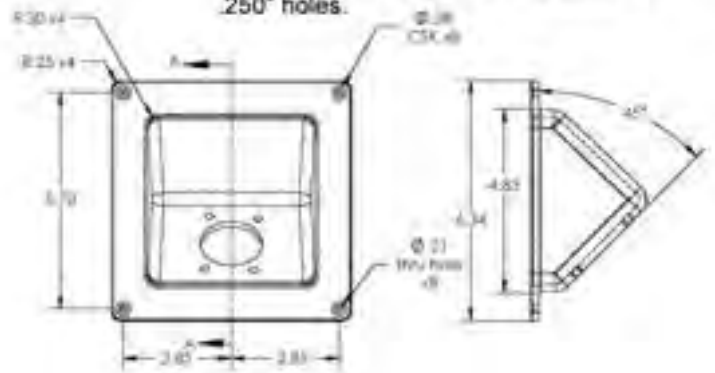


FG4503

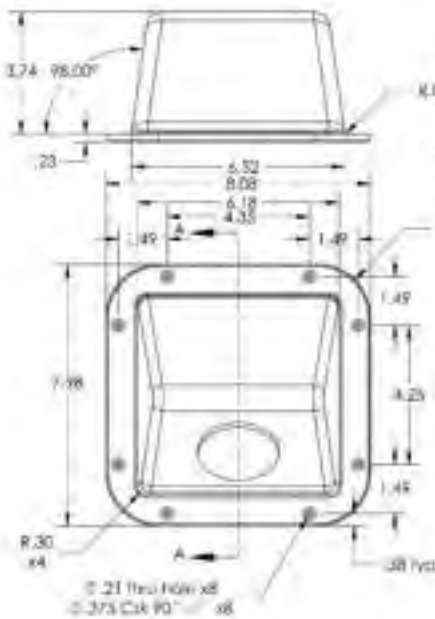


FG4503 Fuel (or Urea) Filler Guard (45° Angle)

- 1) Finish: Ball-burnished w/ exterior flange polished.
- 2) Angle is 45°
- 3) For Urea Filler Necks™
1 5/8" center hole with four .220" holes or -A version with 1 5/8" center hole and three .250" holes.



FG4504

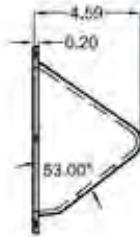
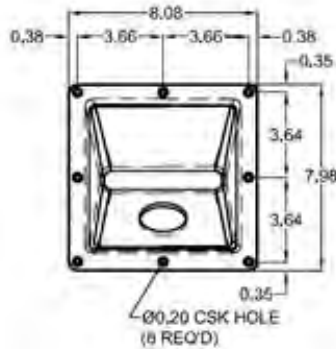


FG4504 45d. Fuel Filler Guard Casting

- 1. Finish: Polished exterior flange (-1) with wheel-a-brated interior (-4).



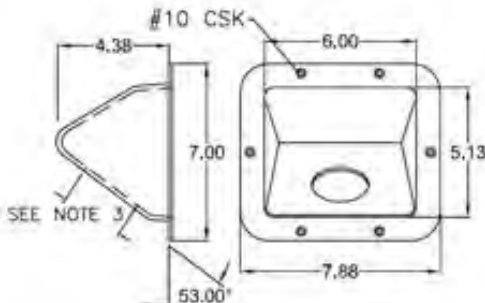
FG5301



FG5301 Gas Fill Guard 53° Angle

- 1) Finish: Flange is polished, Inside is Bead-blasted.
- 2) Angle: 53°
- 3) Customer please specify when ordering 2 1/4", 2 1/2", or 2 5/8" hole diameter size.

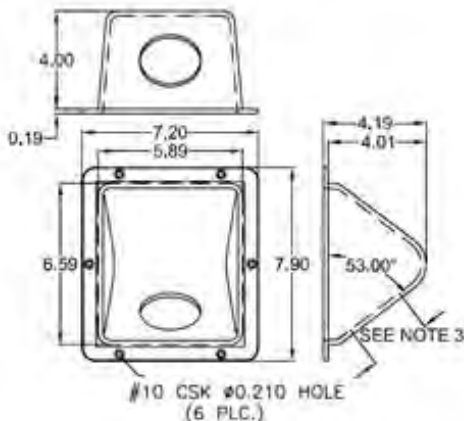
FG5302



FG5302 Gas Fill Guard 53° Angle

- 1) Finish: Flange is polished, Inside is Bead-blasted.
- 2) Angle: 53°
- 3) Customer please specify when ordering 2 1/4", 2 1/2", or 2 5/8" hole diameter size.

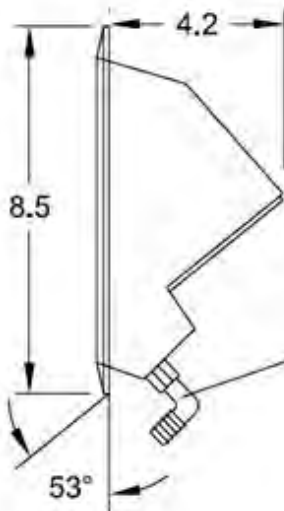
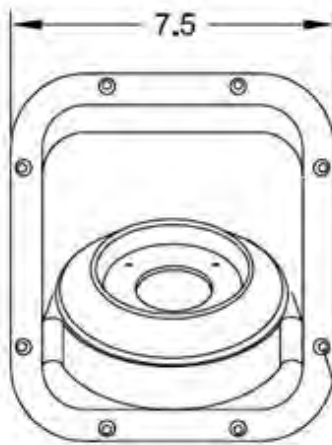
FG5303



FG5303 Gas Fill Guard 53° Angle

- 1) Finish: Flange is polished, Inside is Bead-blasted.
- 2) Angle: 53°
- 3) Customer please specify when ordering 2 1/4", 2 1/2", or 2 5/8" hole diameter size.

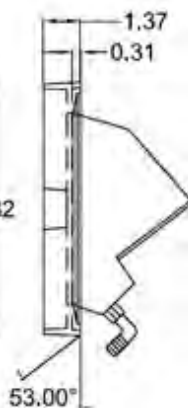
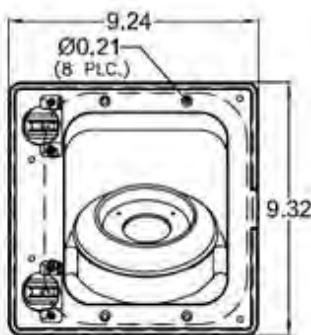
FG5304



FG5304 "Break-Away" Gas Fill Guard with Spill Sump

- 1) "**Break-Away**" Design incorporates a rubber gasket insert that permits fuel fill neck to separate from insert or insert separate from casting in the event of vehicle roll or module body separation, increasing chances of leaving fuel fill neck intact with fuel tank.
- 2) Casting "**spill sump**" uses fuel resistant nylon fitting (provided) to use with 3/8" flexible hose to route spilled fuel away and to the ground.
- 3) Aluminum ring to bolt rubber insert against fuel fill neck backplate. Rubber stretches to seal around various size fuel fill necks.
- 4) Finish: Flange is polished. Inside is Bead-blasted.
- 5) Angle: 53°.

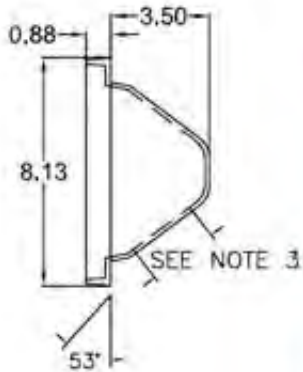
FG5305



FG5305 Gas Fill Guard (53° Angle) with Lid

- 1) Finish: Flange is polished. Inside is bead-blasted. Lid is 120 grit directional ground.
- 2) Angle: 53°
- 3) All concealed hinges and mounting hardware.
- 4) "**Break-Away**" and "**spill sump**" design.

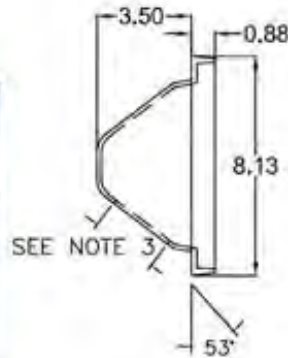
FG5306



FG5306 Gas Fill Guard (53° Angle) with Lid

- 1) Finish: Flange is polished. Inside is bead-blasted. Lid is 120 grit directional ground.
- 2) Angle: 53°
- 3) Customer please specify when ordering: 2 1/4", 2 1/2", or 2 5/8" hole diameter size.
- 4) All concealed hinges and mounting hardware

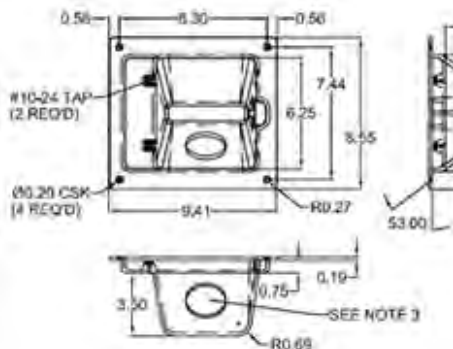
FG5307



FG5307 Gas Fill Guard (53° Angle) with Lid

- 1) Finish: Flange is polished. Inside is bead-blasted. Lid is 120 grit directional ground.
- 2) Angle: 53°
- 3) Customer please specify when ordering: 2 1/4", 2 1/2", or 2 5/8" hole diameter size.
- 4) All concealed hinges and mounting hardware.

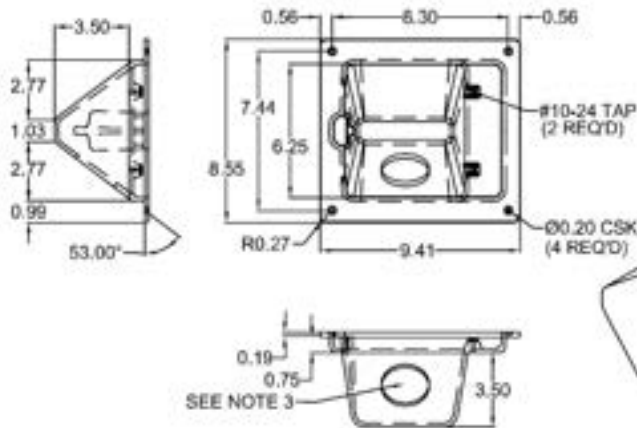
FG5308



FG5308 Recessed Gas Fill Guard (53° Angle) with Lid

- 1) Finish: Flange is polished. Inside is bead-blasted. Lid is 120 grit directional ground.
- 2) Angle: 53°
- 3) Customer please specify when ordering: 2 1/4", 2 1/2", or 2 5/8" hole diameter size.
- 4) All concealed hinges and mounting hardware.

FG5309

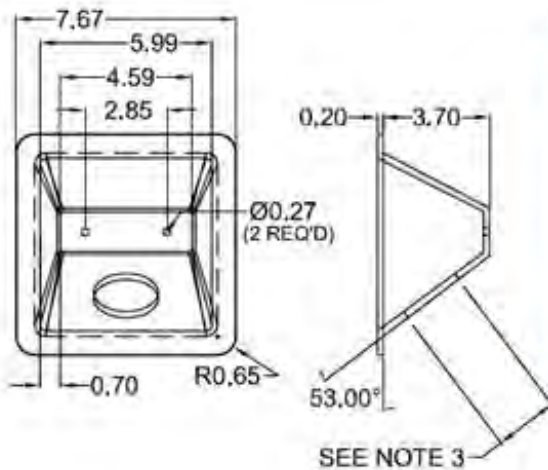


FG5309

Recessed Gas Fill Guard (53° Angle) with Lid

- 1) Finish: Flange is polished. Inside is bead-blasted. Lid is 120 grit directional ground.
- 2) Angle: 53°
- 3) Customer please specify when ordering: 2 1/4", 2 1/2", or 2 5/8" hole diameter size.
- 4) All concealed hinges and mounting hardware.

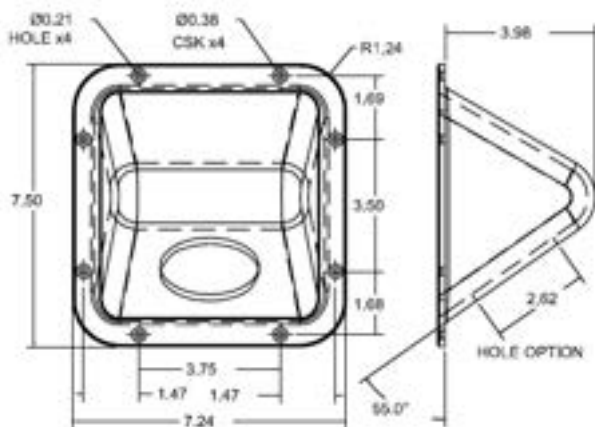
FG5310



FG5310 Gas Fill Guard 53° Angle

- 1) Finish: Flange is polished. Inside is bead-blasted.
- 2) Angle: 53°
- 3) Customer please specify when ordering: 2 1/4", 2 1/2", or 2 5/8" hole diameter size.

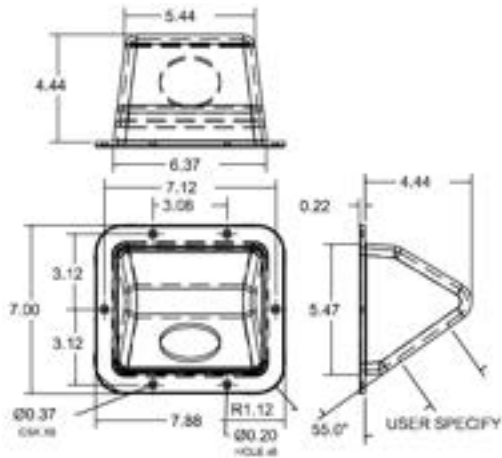
FG5501



FG5501 Gas Fill Guard (55° Angle)

- 1) Finish: Flange is polished. Inside is bead-blasted.
- 2) Customer please specify when ordering: 2 1/4", 2 1/2", or 2 5/8" hole size.
- 3) Angle: 55°

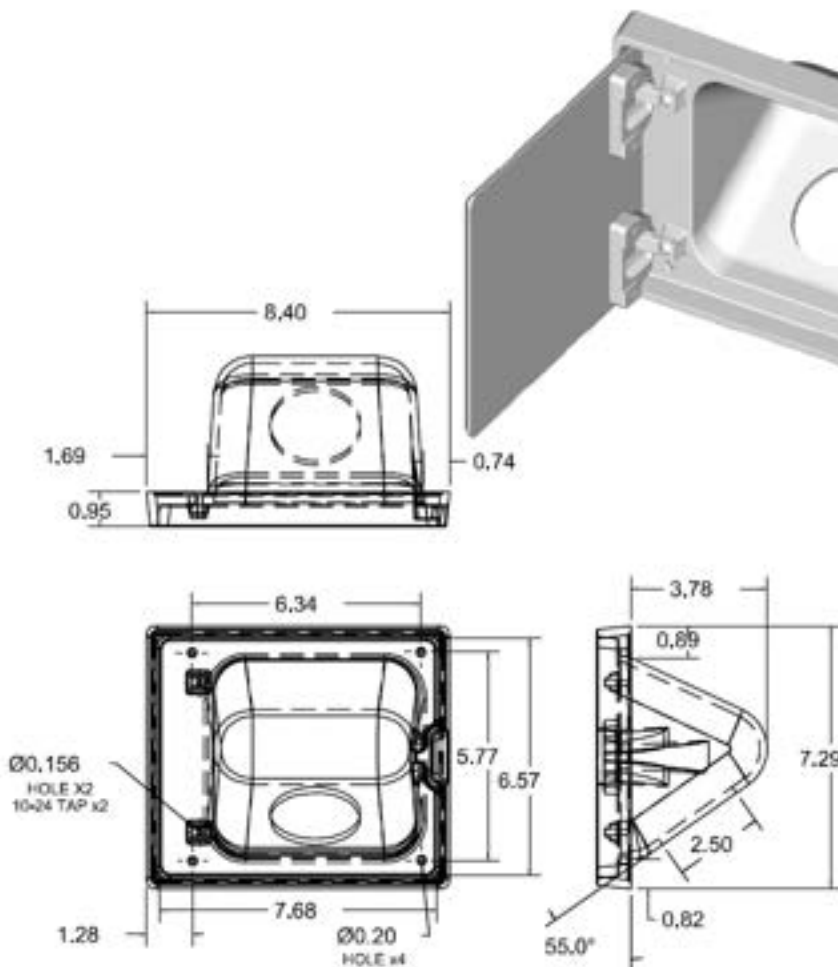
FG5502



FG5502 Gas Fill Guard (55° Angle)

- 1) Finish: Flange is polished, Inside is bead-blasted.
- 2) Customer please specify when ordering: 2 1/4", 2 1/2", or 2 5/8" hole size.
- 3) Angle: 55°

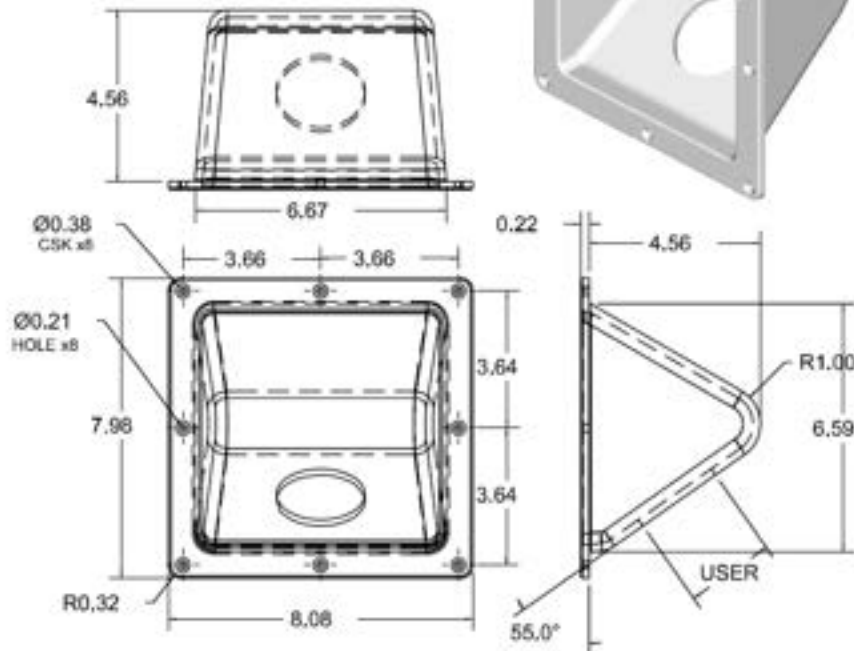
FG5503



FG5503 Gas Fill Guard (55° Angle) with Lid

- 1) Finish: Flange is polished, Inside is bead-blasted, Lid is 120 grit directional ground.
- 2) Customer please specify when ordering: 2 1/4", 2 1/2", or 2 5/8" hole size.
- 3) Angle: 55°
- 4) All concealed hinges and mounting hardware

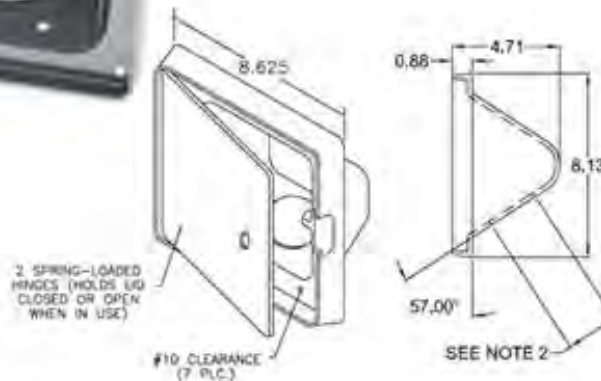
FG5504



FG5504 Gas Fill Guard (55° Angle)

- 1) Finish: Flange is polished. Inside is bead-blasted.
- 2) Customer please specify when ordering: 2 1/4", 2 1/2", or 2 5/8" hole size.
- 3) Angle: 55°

FG5701



FG5701 Gas Fill Guard (57° Angle) with Lid

- 1) Finish: Flange is polished. Inside is bead-blasted. Lid is 120 grit directional ground.
- 2) Customer please specify when ordering: 2 1/4", 2 1/2", or 2 5/8" hole size.
- 3) Angle: 57°
- 4) All concealed hinges and mounting hardware

FG5703

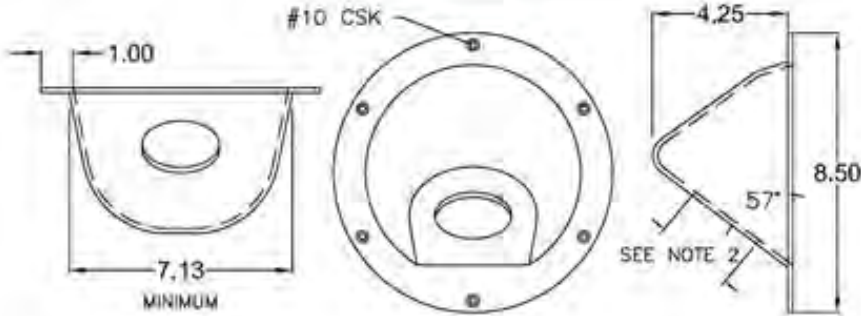


FG5703

Gas Fill Guard

57° Angle

- 1) Finish: Flange is polished. Inside is bead-blasted.
- 2) Customer please specify when ordering: 2 1/4", 2 1/2", or 2 5/8" hole size.
- 3) Angle: 57°

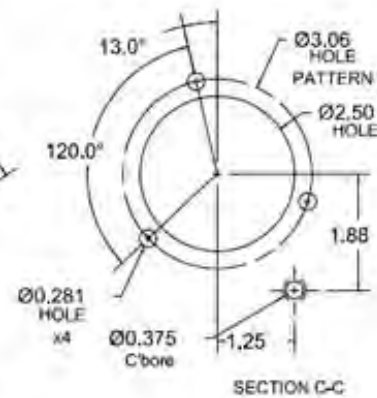
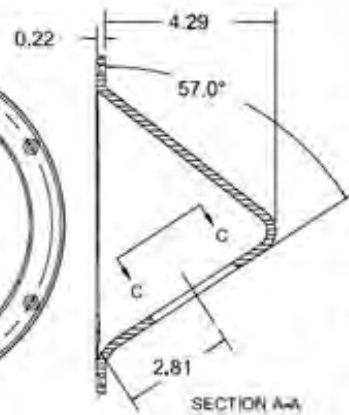
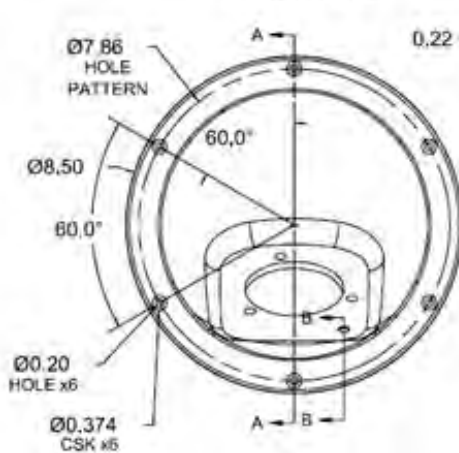
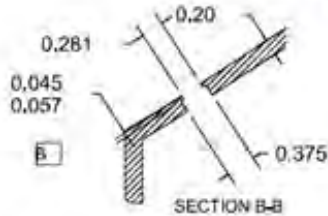


FG5704



FG5704 Gas Fill Guard 57° Angle

- 1) Finish: all exterior surfaces are polished. Inside is ball-burnished.
- 2) Angle: 57°
- 3) Standard with 2 1/2" hole and additional neck mounting holes.

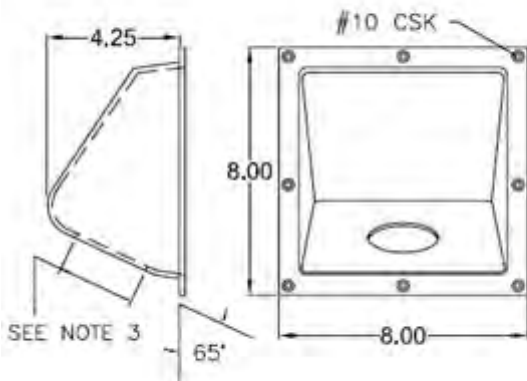


FG6501



FG6501 Gas Fill Guard 65° Angle

- 1) Finish: all exterior surfaces are polished. Inside is ball-burnished.
- 2) Angle: 65°
- 3) Customer specify hole size desired: 2", 2 1/4", 2 3/8", 2 1/2" or 2 5/8".



FGL0022 FGL0042 FGL0053

**FGL0022 FGL0042
FGL0053**

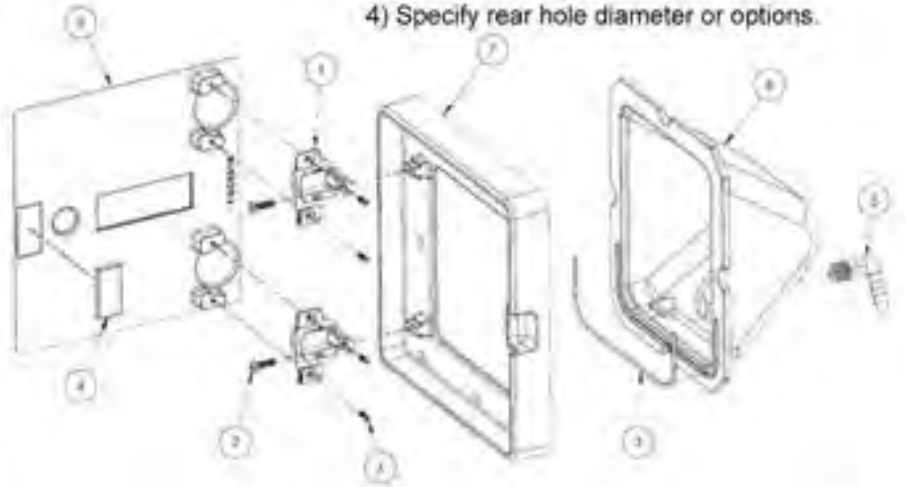
**Fuel Filler Guard, Rear
neck hole w/ Lid, with
Latch, Flange, Sump and
90d. Nylon Fitting**

1) Finish: interior is ball-burnished with mounting flange polished. Lid is 120 grit directional ground.

2) Can be supplied with Southco Lift-n-Turn lever latch or without latch

3) Features sump area and 90d. nylon fitting for drain. Standard lid and mounting flange used different angled backs.

4) Specify rear hole diameter or options.



FGT0022 FGT0042 FGT0053

**FGT0022 FGT0042
FGT0053**

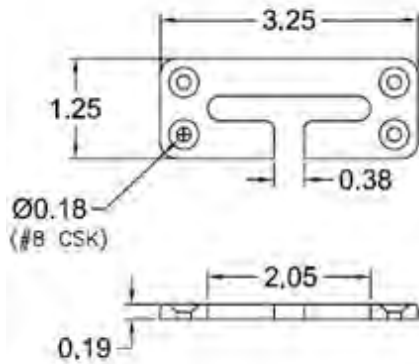
**Fuel Filler Guard, Rear
neck hole with Face
Trim, Sump and 90d.
Nylon Fitting**

- 1) Finish: interior is ball-burnished with polished Trim Flange.
- 2) Features sump area and 90d. nylon fitting for drain. Standard Face Trim uses different angled backs.
- 4) Specify rear hole diameter or options.



Flange Rings

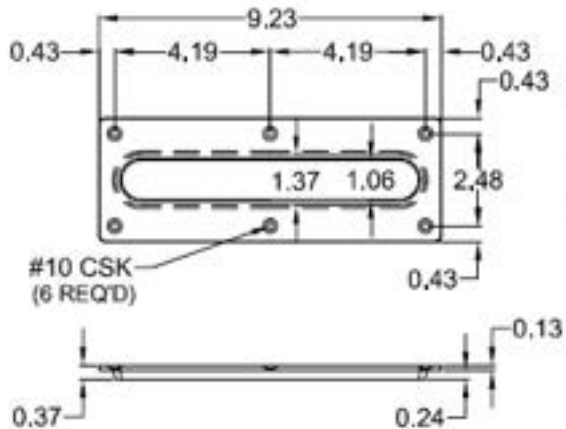
FR0001



FR0001 Seat-Belt Trim

- 1) Finish: Available polished or ball-burnished.
- 2) Use to trim around the cut-out needed or squad bench for the seat-belt strap.

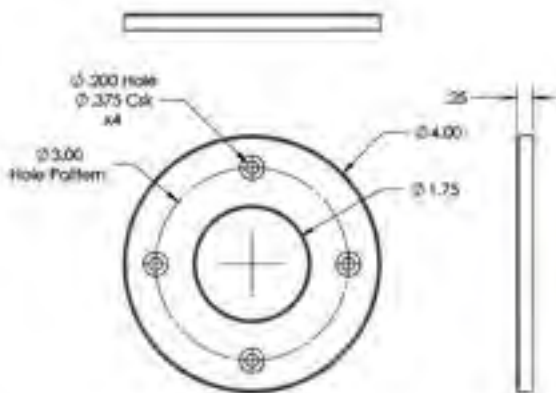
FR0006



FR0006 Slot Plate

- 1) Finish: Polished.

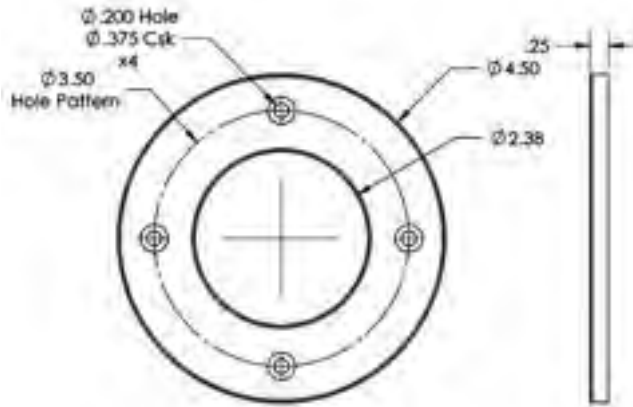
FR0009



FR0009 Flange Ring 1.75" ID x 4.0" OD

- 1) Finish: Polished exterior

FR0010

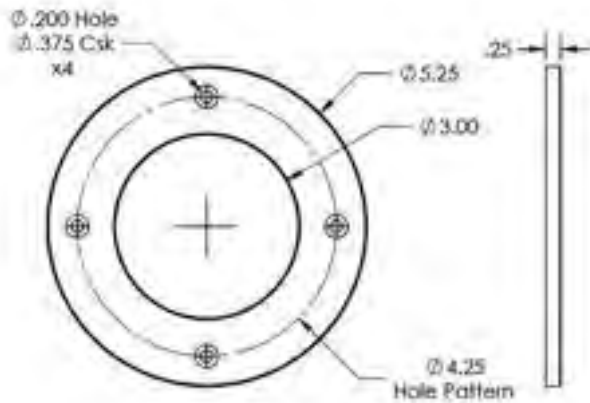


FR0010 Flange Ring 2.38" ID x 4.50" OD

1) Finish: Polished exterior.



FR0011

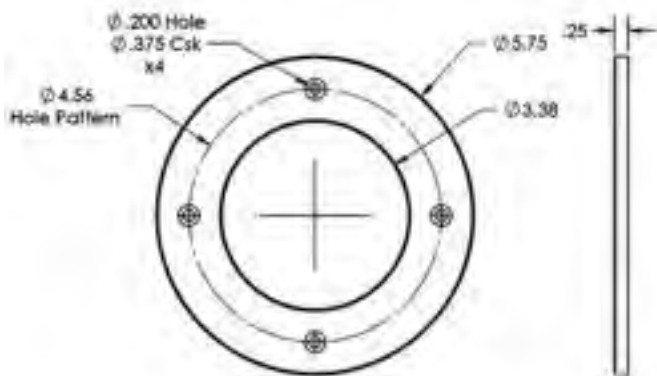


FR0011 Flange Ring 3.0" ID x 5.25" OD

1) Finish: Polished exterior.



FR0012

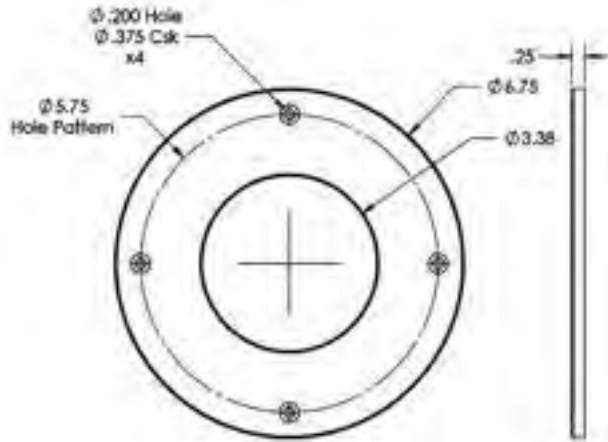


FR0012 Flange Ring 3.38" ID x 5.75" OD

1) Finish: Polished exterior.



FR0013

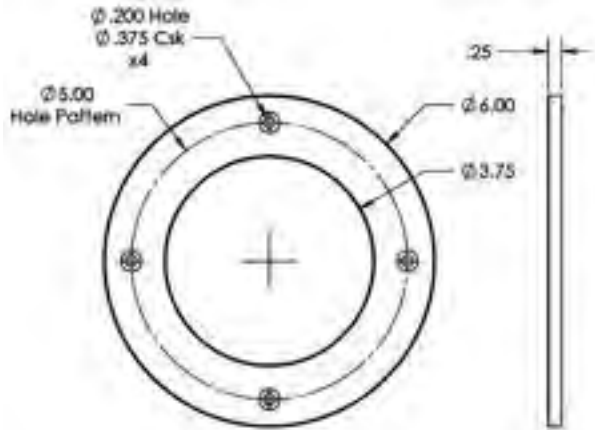


FR0013 Flange Ring 3.38" ID x 6.75" OD

1) Finish: Polished exterior



FR0014

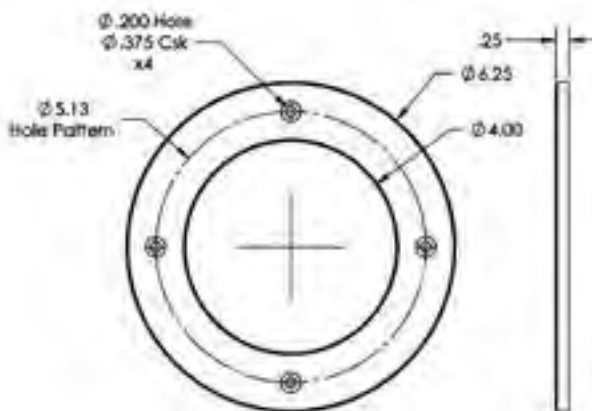


FR0014 Flange Ring 3.75" ID x 6.0" OD

1) Finish: Polished exterior



FR0015

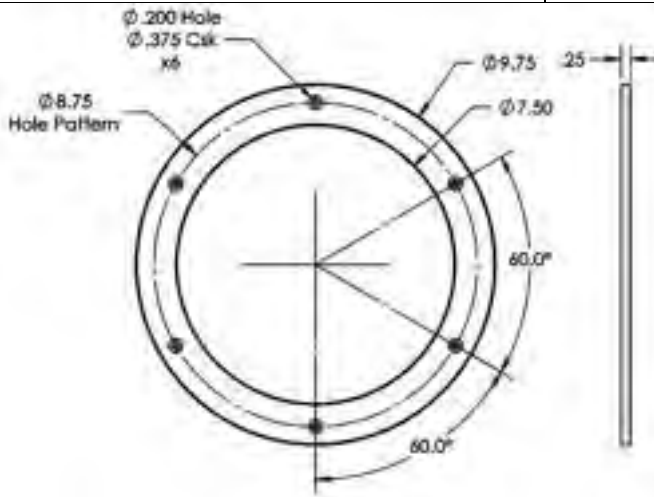


FR0015 Flange Ring 4.0" ID x 6.25" OD

1) Finish: Polished exterior



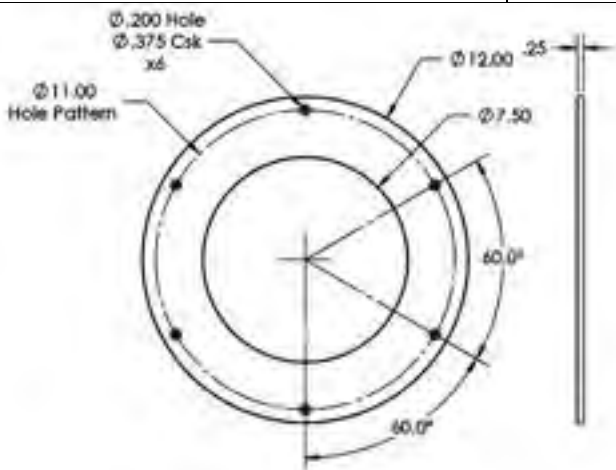
FR0021



FR0021 Flange Ring 7.50" ID x 9.75" OD

1) Finish: Polished exterior

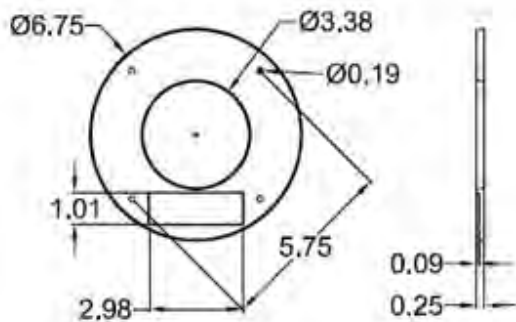
FR0022



FR0022 Flange Ring 7.50" ID x 12.0" OD

1) Finish: Polished exterior

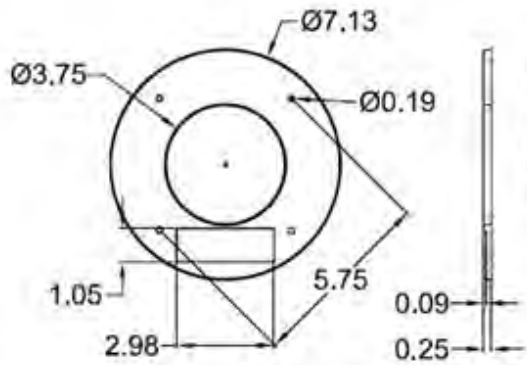
FR0025



FR0025 Flange Ring w/ Tag Recess (3 3/8" ID)

1) Finish: Polished.

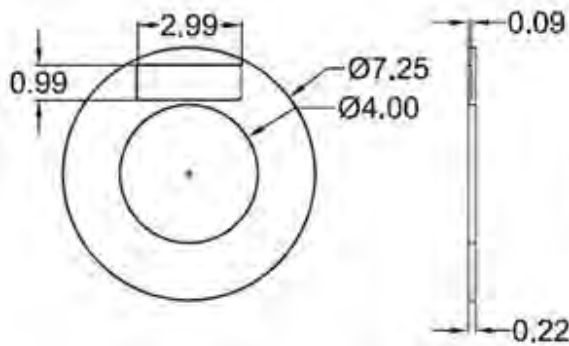
FR0026



FR0026
Flange Ring w/ Tag
Recess (3 3/4" ID)

1) Finish: Polished.

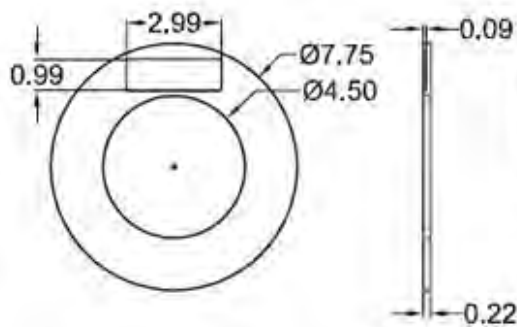
FR0027



FR0027
Flange Ring w/ Tag
Recess (4" ID)

1) Finish: Polished.

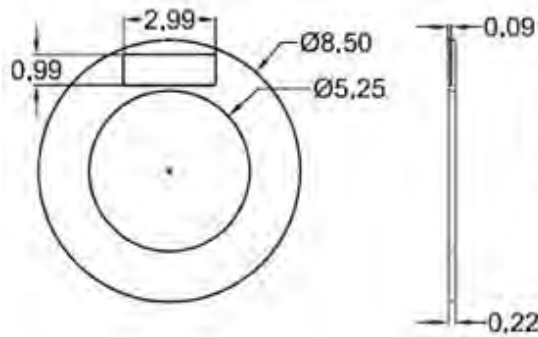
FR0028



FR0028
Flange Ring w/ Tag
Recess (4 1/2" ID)

1) Finish: Polished.

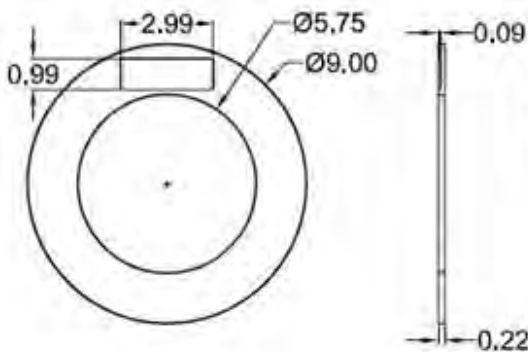
FR0029



FR0029
Flange Ring w/ Tag
Recess (5 1/4" ID)

1) Finish: Polished.

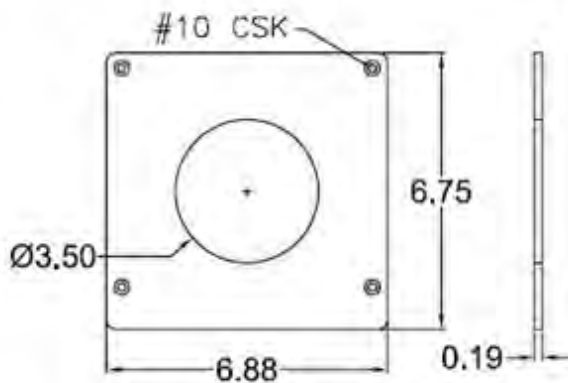
FR0030



FR0030
Flange Ring w/ Tag
Recess (5 3/4" ID)

1) Finish: Polished.

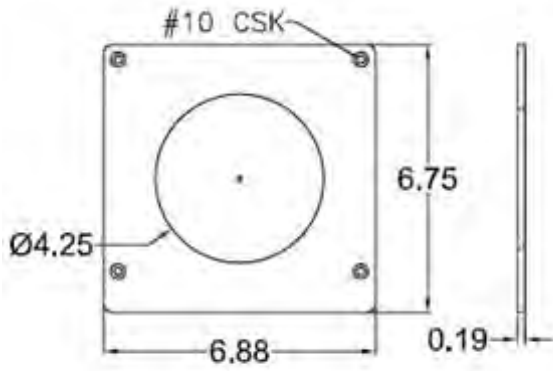
FR0041



FR0041
Gauge Trim
3 1/2" I.D.

1) Finish: Polished.

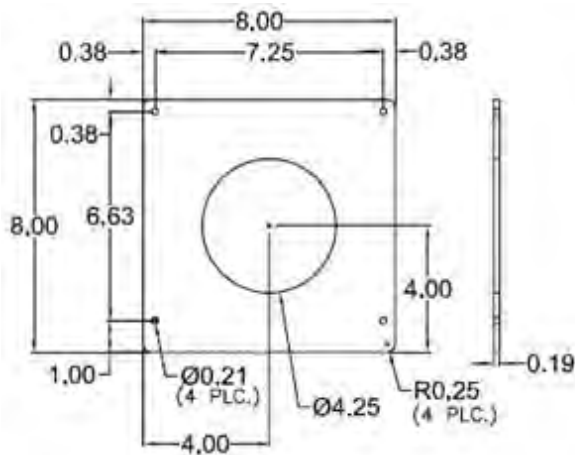
FR0042



FR0042 Gauge Trim 4 1/4" I.D.

1) Finish: Polished.

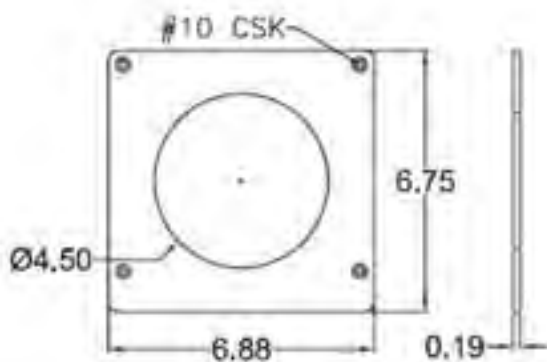
FR0043



FR0043 Gauge Trim 4 1/4" I.D.

1) Finish: Polished.

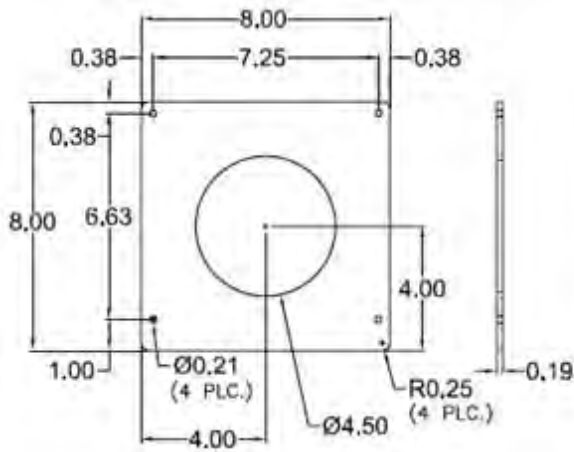
FR0044



FR0044 Gauge Trim 4 1/2" I.D.

1) Finish: Polished.

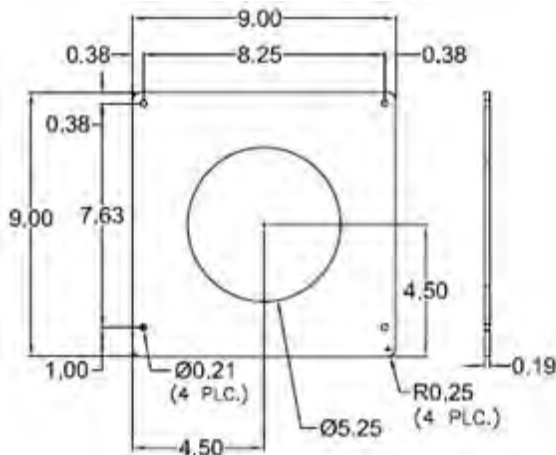
FR0045



FR0045 Gauge Trim 4 1/2" I.D.

1) Finish: Polished.

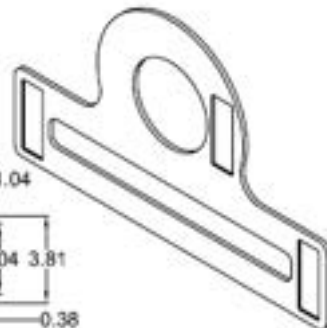
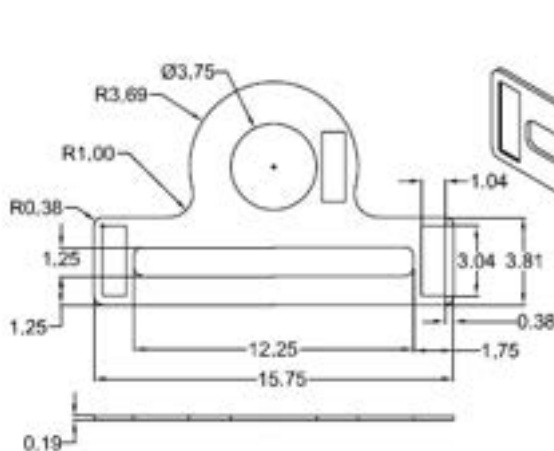
FR0046



FR0046 Gauge Trim 5 1/4" I.D.

1) Finish: Polished.

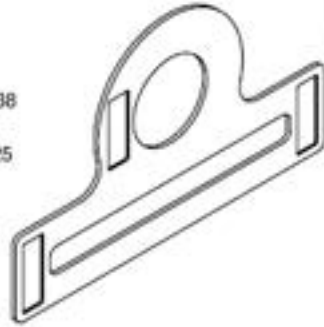
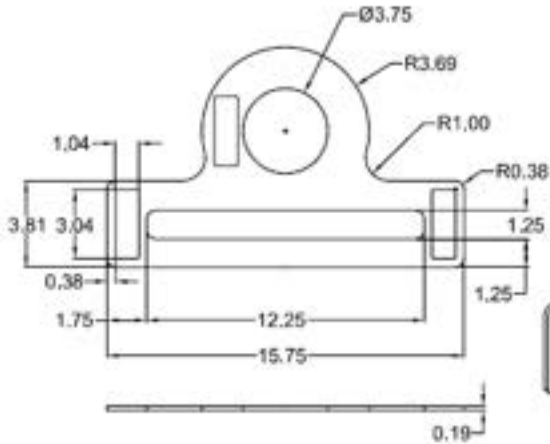
FR0047



FR0047 Pump Panel Trim w/ Tag Recess (Right Side)

1) Finish: Polished.
2) Material: 6061-T6 Aluminum

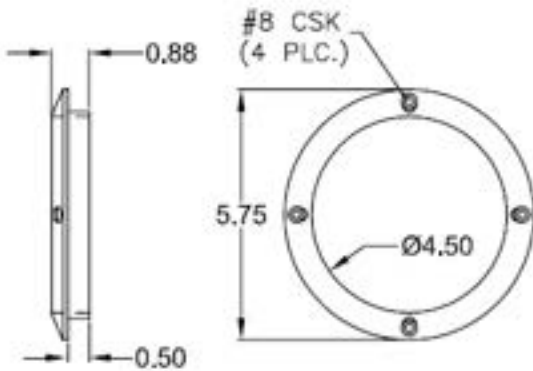
FR0048



FR0048 Pump Panel Trim w/ Tag Recess (Left Side)

- 1) Finish: Polished.
- 2) Material: 6061-T6 Aluminum

FR0049



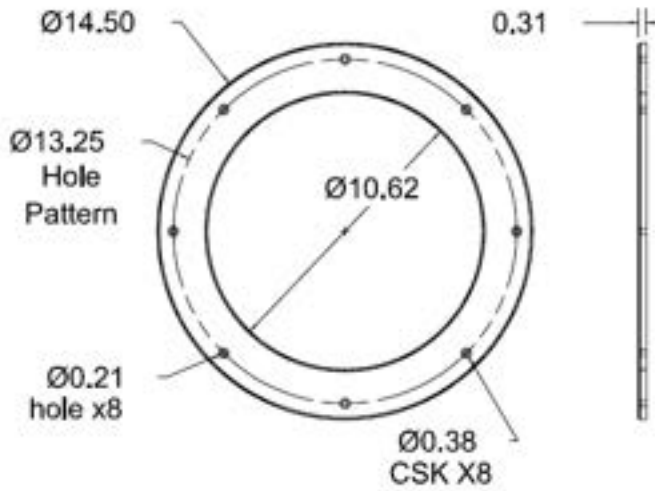
FR0049 Oxygen Bottle Floor Trim Ring

- 1) Finish: Polished.

FR0051

FR0051

Flange Ring, 10.62 ID
x 14.50 OD



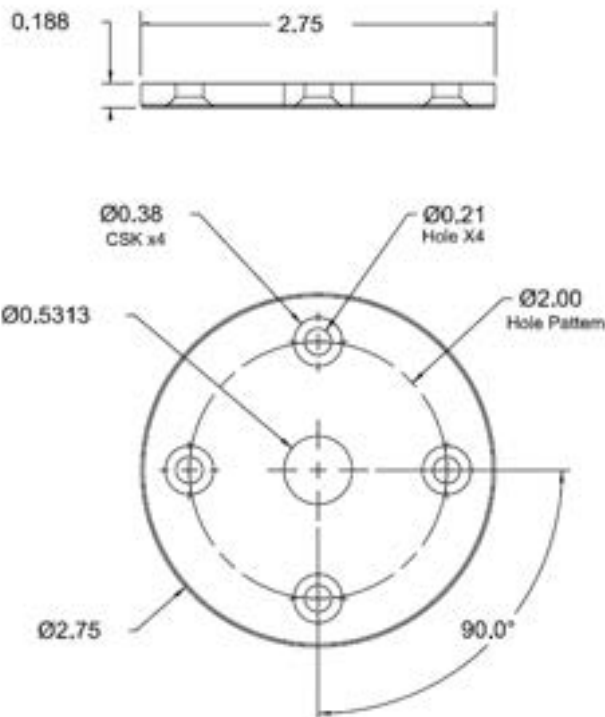
1) Finish: Polished.



FR0052

FR0052

Flange Ring, 2.75 OD
x .53 ID

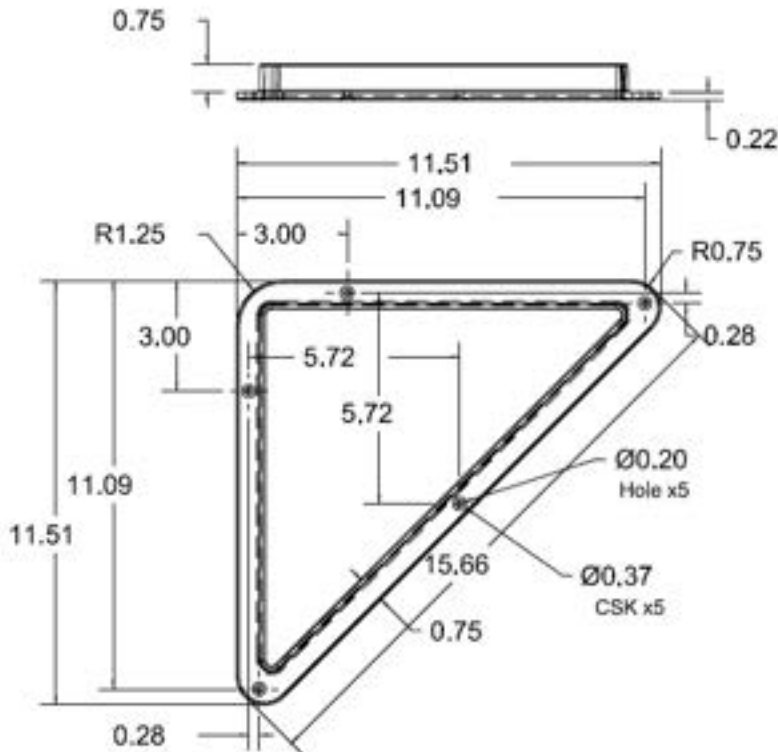


1) Finish: Polished.

2) Material: 6061-T6 Aluminum



FR0054

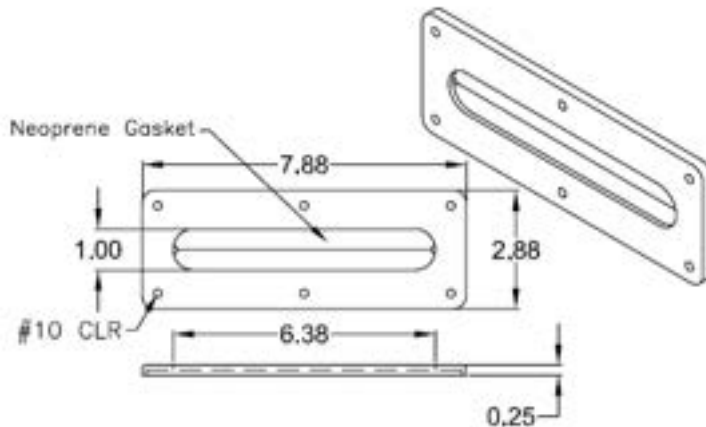


FR0054 Wheel Chock Flange Trim

1) Finish: Polished.



FR1004



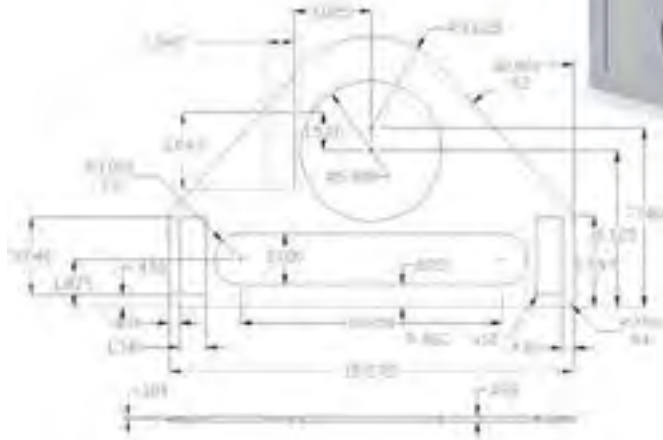
FR1004 Slot Plate with Gasket (6 3/8" Inside Length)

1) Designed to use a single neoprene gasket (slit down the center) to "capture" the rod and seal around the rod handle.
2) Finish: Polished or 120 grit directional ground. Neoprene gasket is black.

FR101294021

FR101294021
Leftside Panel
Suction Ring

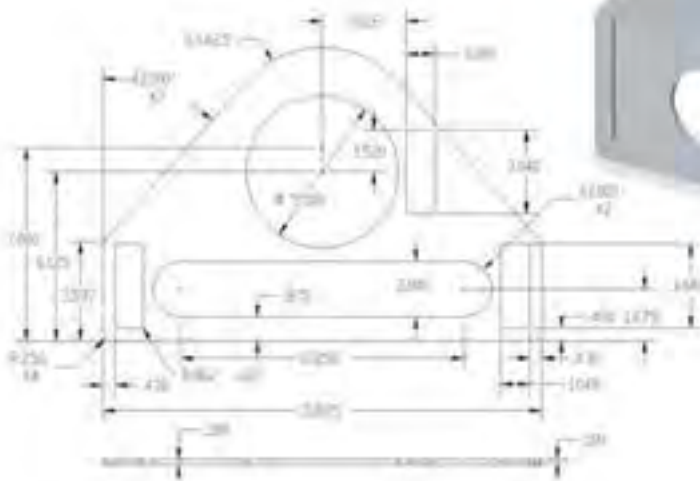
- 1) Finish: Exterior flange is polished.
- 2) Material: AL 6061



FR101294022

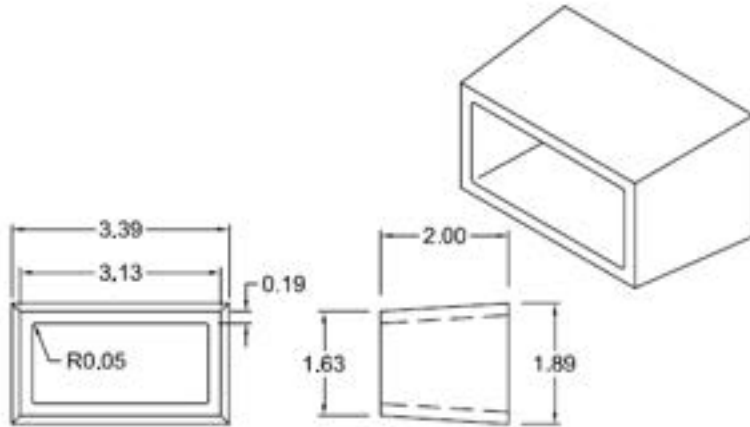
FR101294022
Rightside Panel
Suction Ring

- 1) Finish: Exterior flange is polished.
- 2) Material: AL 6061



Flanges and Spacers

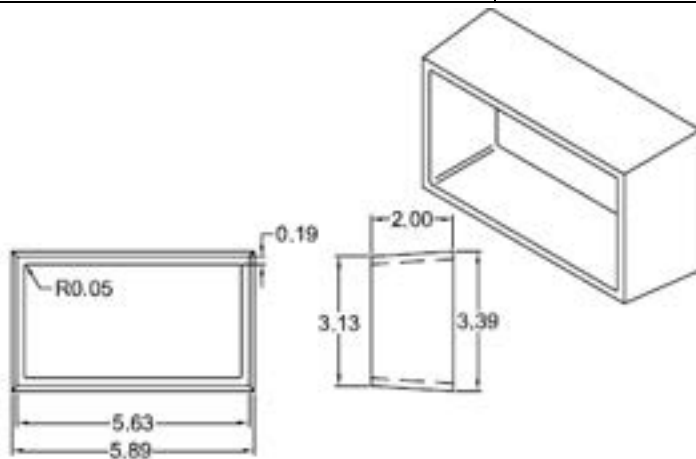
FS0002



**FS0002
Small Cot Plate
Spacer**

1) Finish: Wheel-a-brated.

FS0003



**FS0003
Large Cot Plate
Spacer**

1) Finish: Wheel-a-brated.

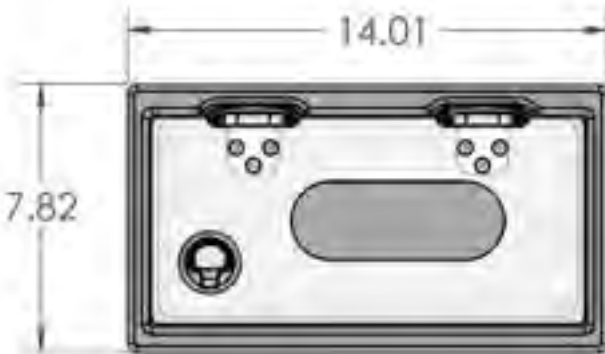
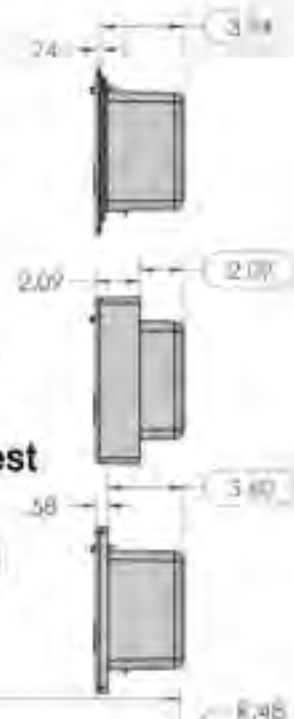
Glove Boxes

PL1015

**PL1015-SGL-THIN-A-RHL or -B-LHL
 PL1015-SGL-DEEP-C-RHL or -D-LHL
 PL1015-SGL-580-E-RHL or F-LHL
 Drop-in Recessed Single Glove Box Holders**



- ✓ SAE J3058 Compliant
- ✓ Single, Double, and Triple Options
- ✓ Left and Right Hand Configurations
- ✓ Fits Virtually All Glove Box Footprints
- ✓ Adjustable Mounting Depths for Wall or Door Installation
- ✓ Marine Grade Acrylic Capped ABS Box
- ✓ Clear or Tinted Plexiglass Lid with Rounded Edges
- ✓ Stainless Steel Hardware
- ✓ Less Costly Than Other Methods of Manufacturing
- ✓ White Box is Standard – Custom Colors Upon Request
- ✓ Depth dimensions are the same for single, double and triple options



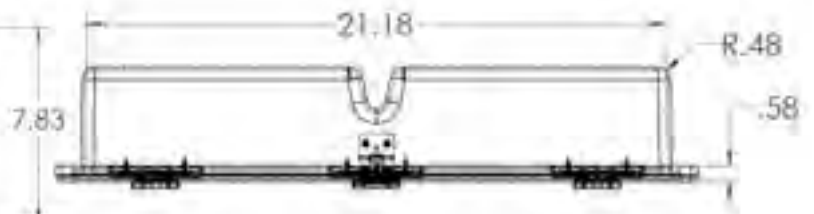
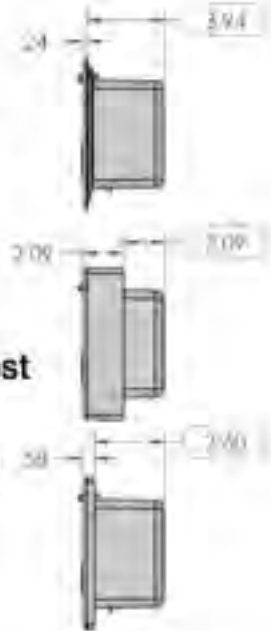
PL1016

PL1016-DBL-THIN-A
PL1016-DBL-DEEP-B
PL1016-DBL-580-C

Drop-in Recessed Double Glove Box
Holders



- ✓ SAE J3058 Compliant
- ✓ Single, Double, and Triple Options
- ✓ Fits Virtually All Glove Box Footprints
- ✓ Adjustable Mounting Depths for Wall or Door Installation
- ✓ Marine Grade Acrylic Capped ABS Box
- ✓ Clear or Tinted Plexiglass Lid with Rounded Edges
- ✓ Stainless Steel Hardware
- ✓ Less Costly Than Other Methods of Manufacturing
- ✓ White Box is Standard – Custom Colors Upon Request
- ✓ Depth dimensions are the same for single, double and triple options

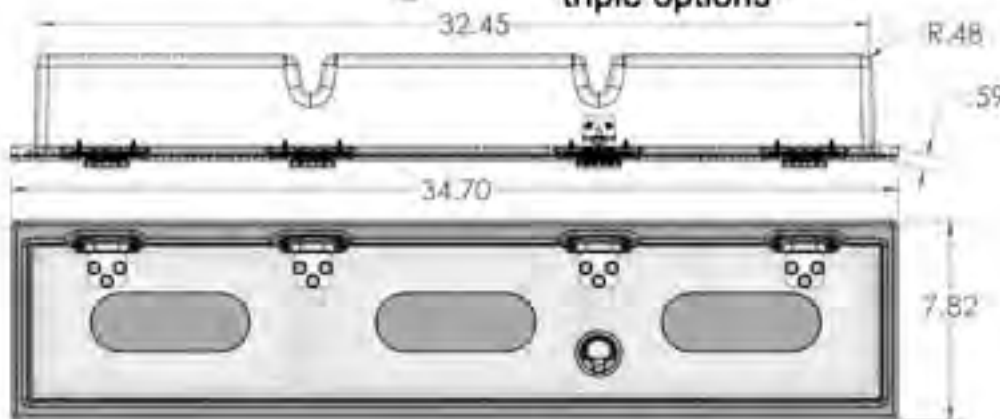
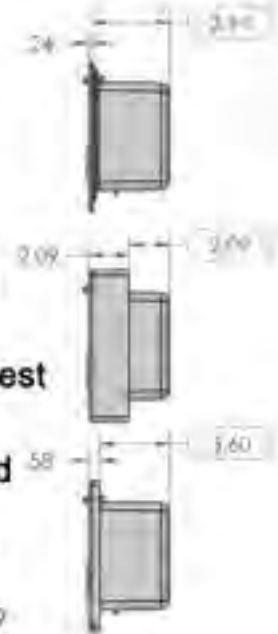


PL1017

PL1017-TPL-THIN-A-RHL
PL1017-TPL-DEEP-B-RHL
PL1017-TPL-580-C-RHL
Drop-in Recessed Triple Glove Box
Holders

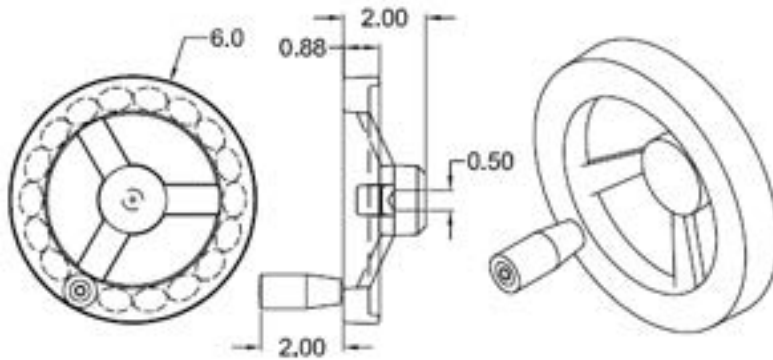


- ✓ SAE J3058 Compliant
- ✓ Single, Double, and Triple Options
- ✓ Fits Virtually All Glove Box Footprints
- ✓ Adjustable Mounting Depths for Wall or Door Installation
- ✓ Marine Grade Acrylic Capped ABS Box
- ✓ Clear or Tinted Plexiglass Lid with Rounded Edges
- ✓ Stainless Steel Hardware
- ✓ Less Costly Than Other Methods of Manufacturing
- ✓ White Box is Standard – Custom Colors Upon Request
- ✓ Depth dimensions are the same for single, double and triple options



Handles

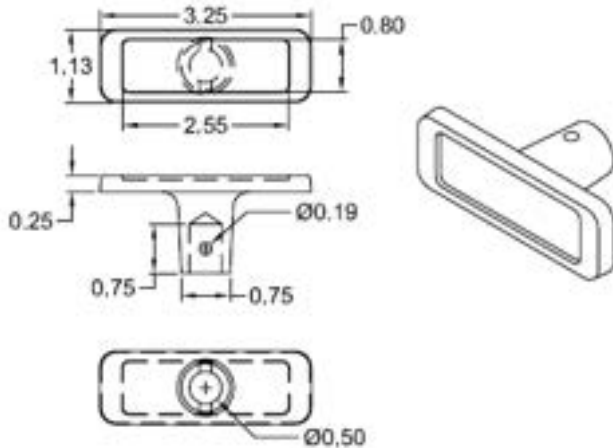
HD0002



HD0002 6" Wheel Handle with Swivel Handle

- 1) Finish: Polished with bead-blasted interior.
- 2) Customer specify rod diameter hole (supplied standard with .50" hole).
- 3) Customer specify with #1/4-20 or #5/16" set screw.

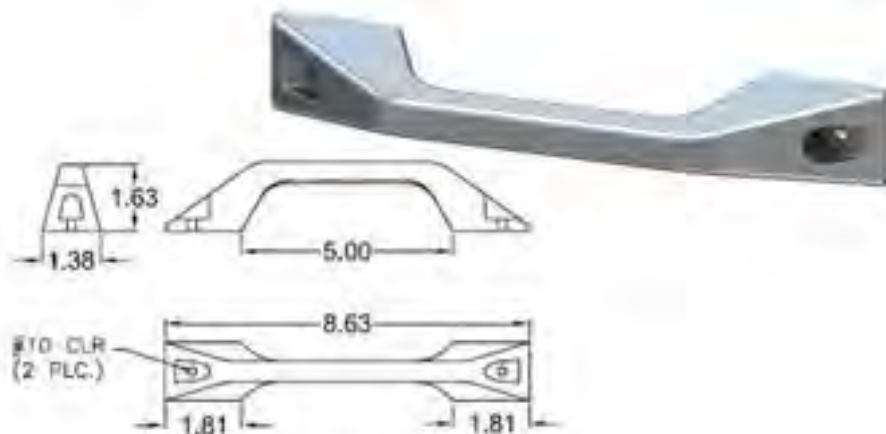
HD0005



HD0005 Drain "T" Handle w/ Tag Recess

- 1) Finish: Polished

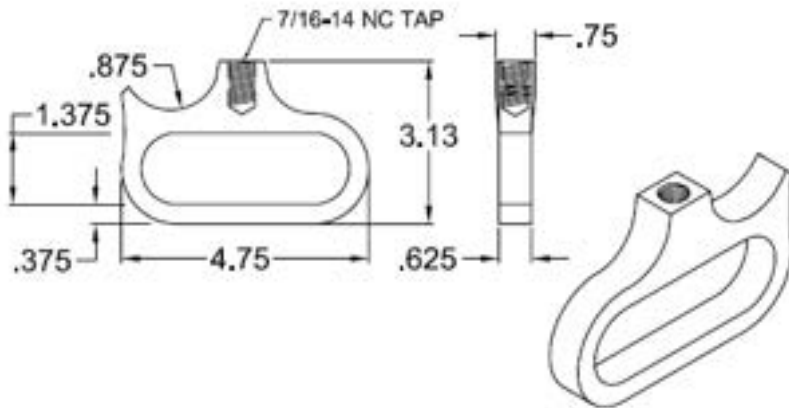
HD0007



HD0007 Grab Handle

- 1) Finish: Polished or wheel-a-brated.

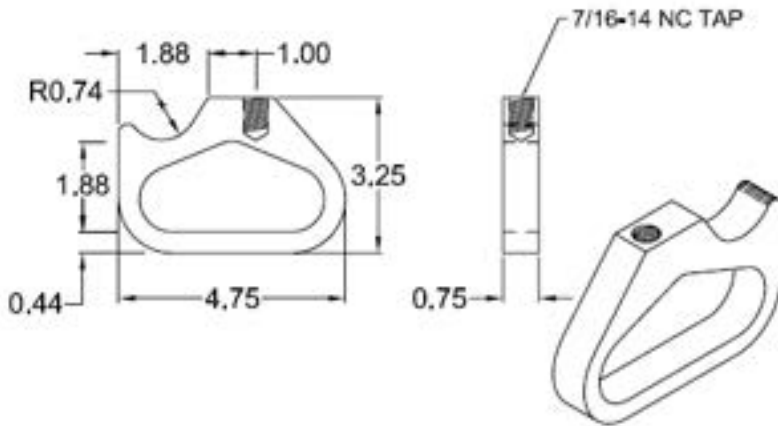
HD0008



**HD0008
Ladder Bracket
Handle**

1) Finish: Polished

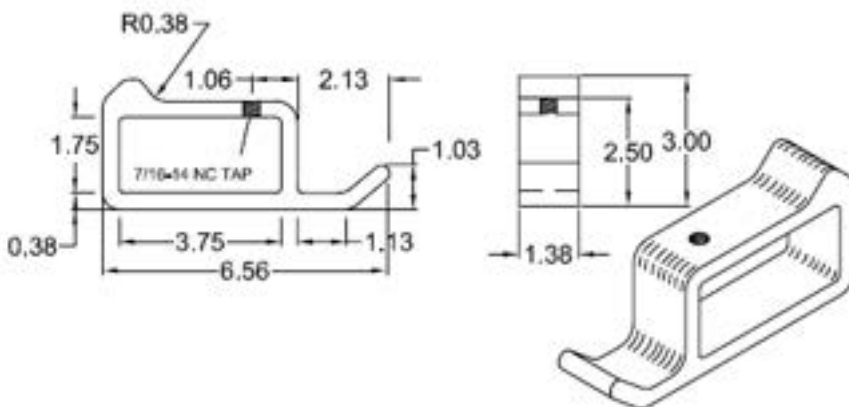
HD0009



**HD0009
Ladder Bracket
Handle**

1) Finish: Polished

HD0010

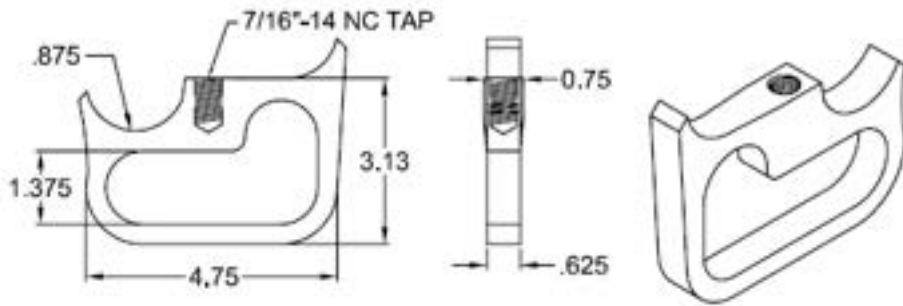


**HD0010
Ladder Bracket
Handle**

1) Finish: Polished

HD0011

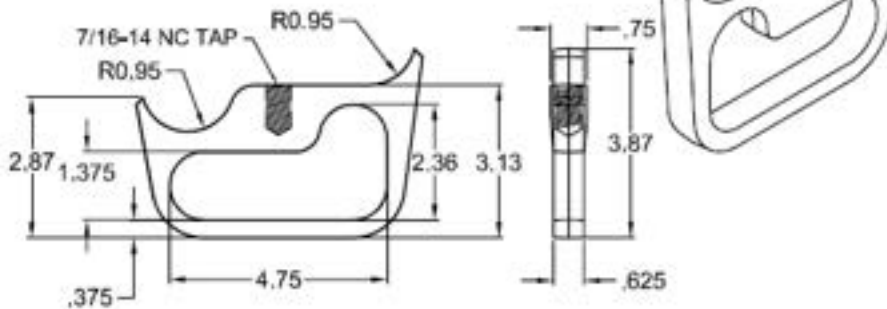
HD0011 Ladder Bracket Handle (2 Step)



1) Finish: Polished

HD0012

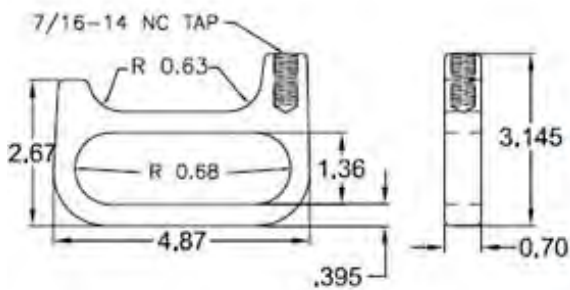
HD0012 Ladder Bracket Handle (2 Step)



1) Finish: Polished.

HD0013

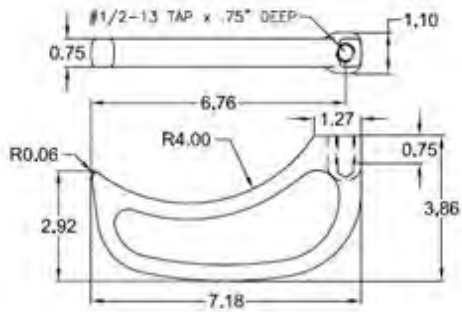
HD0013 Ladder Lock Handle



1) Finish: Polished.



HD0015

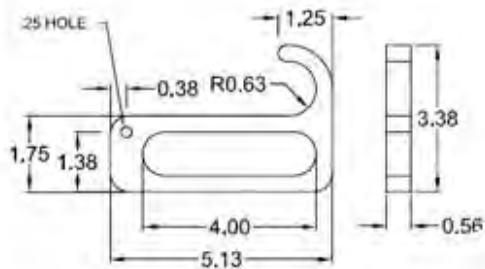


HD0015

Hose Trough Handle

1) Finish: Polished.

HD0016

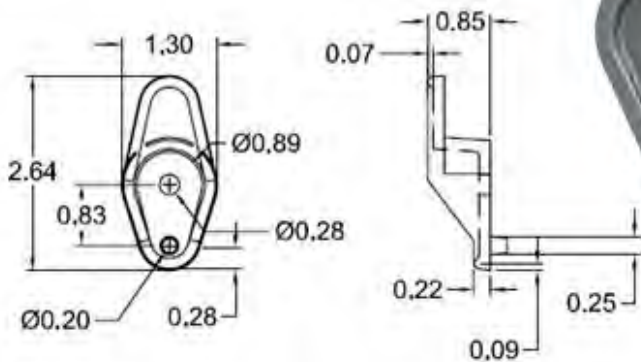


HD0016

**Suction Hose Hold
Down Handle**

1) Finish: Polished.

HD0019

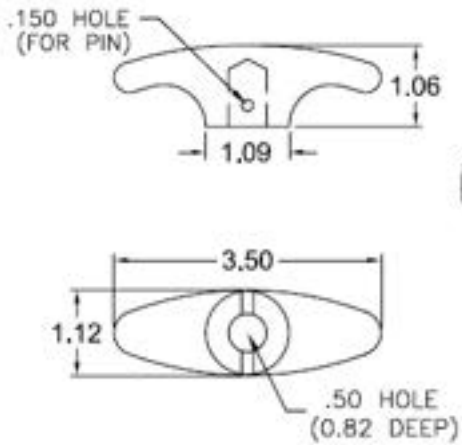


HD0019

**Tarp Tie-down
Bracket**

1) Finish: Ball-burnished.

HD0020

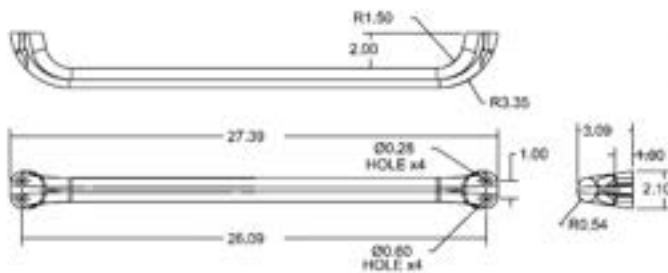


HD0020

"T" Handle

1) Finish: Ball-burnished.

HD0022



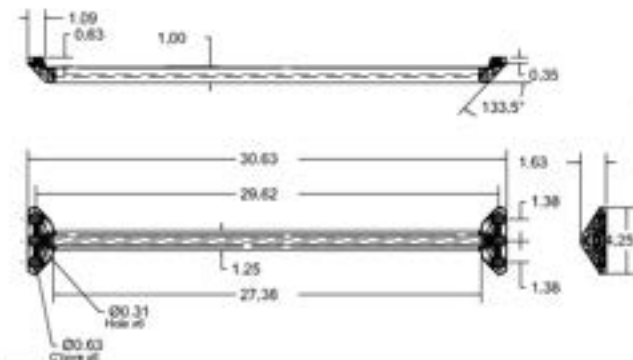
HD0022

**Grab Handle -
26.00" CTC**

1) Finish: Painted Black



HD0027



HD0027

**Grab Handle -
29.62" CTC**

1) Finish: Painted Black

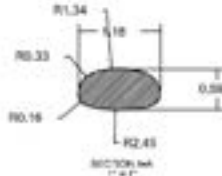
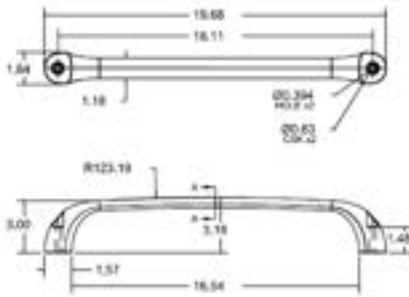


HD0028

HD0028

**Grab Handle -
18.11" CTC**

1) Finish: Painted Black

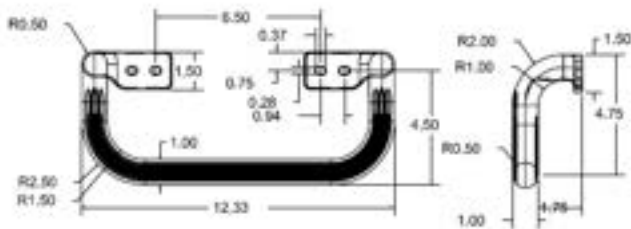
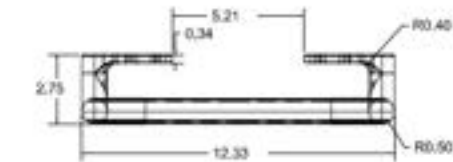


HD0029

HD0029

**Small "D" Grab
Handle**

1) Finish: Painted Black

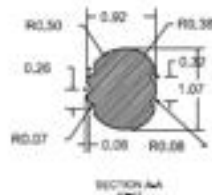
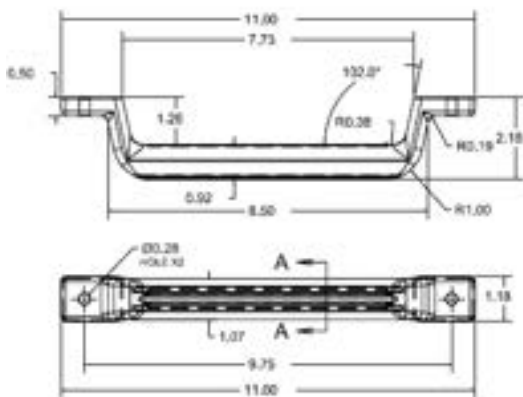


HD0030

HD0030

**Short Grab Handle
9.75" CTC**

1) Finish: Painted Black

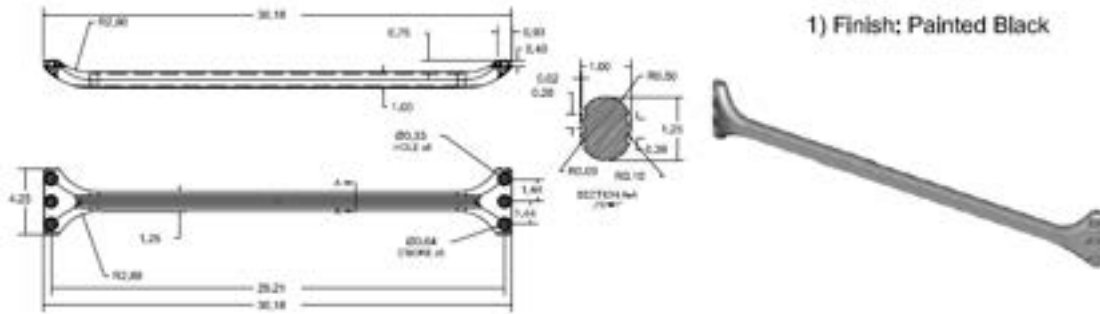


HD0031

HD0031

**Grab Handle -
29.21" CTC**

1) Finish: Painted Black

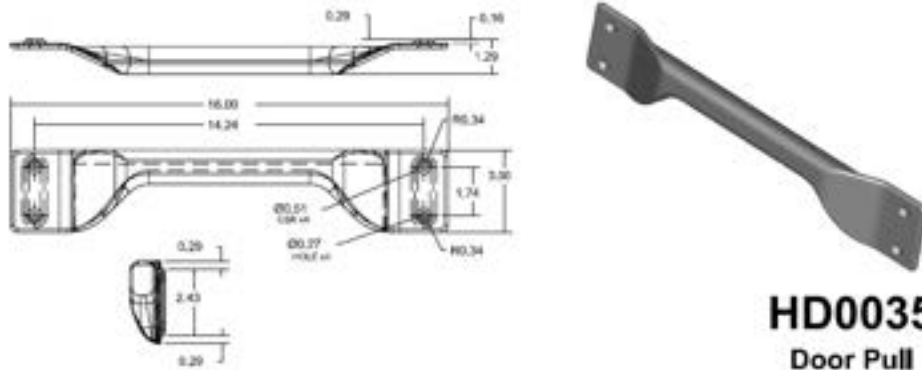


HD0035

HD0035

**Door Pull
Handle**

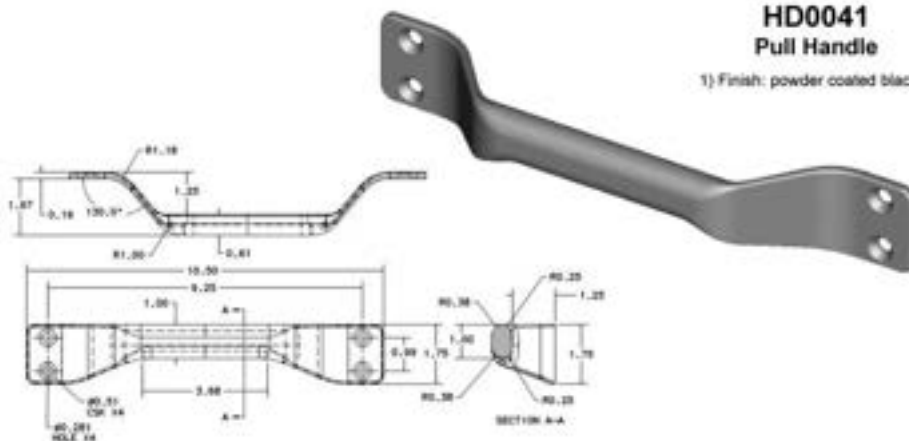
1) Finish: Painted Black



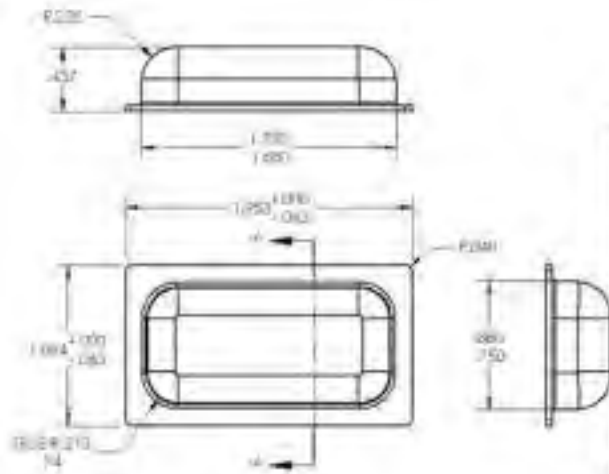
HD0041

HD0041
Pull Handle

1) Finish: powder coated black.



HD0045

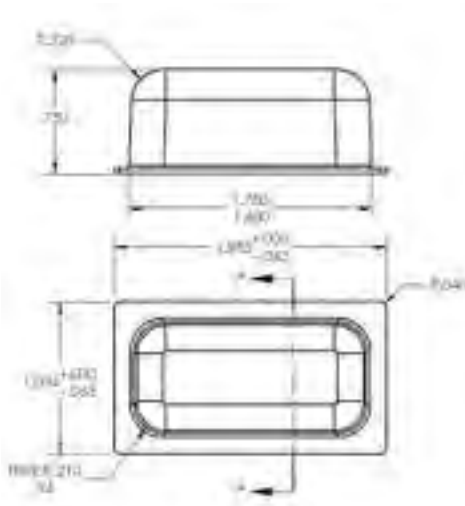


HD0045
1.95" X 1.09" x .437" deep, Strike
Plate Pocket (ABS Plastic)

1) Plastic Injection Molded

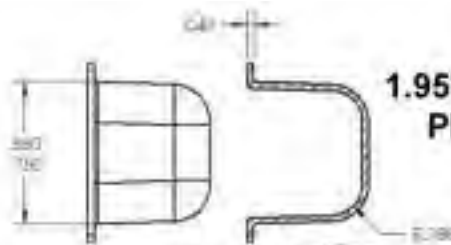


HD0046

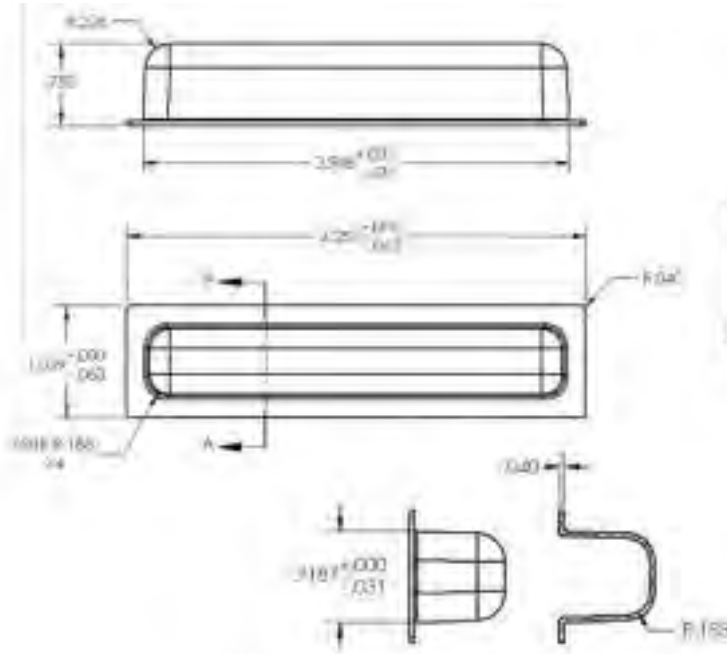


HD0046
1.95" X 1.09" x .75" deep, Strike
Plate Pocket (ABS Plastic)

1) Plastic Injection Molded



HD0047

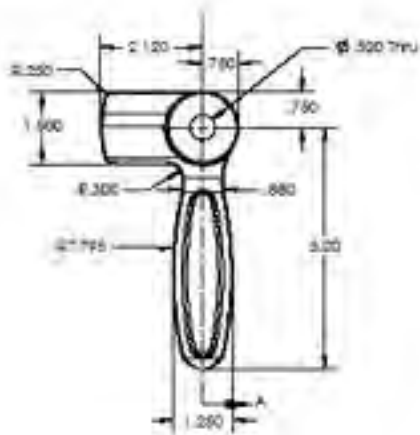


HD0047
4.25" X 1.03" x .75" deep, Ramp
Door Latch Pocket (ABS Plastic)

1) Plastic Injection Molding



HD0050 HD0051



HD0050 & HD0051
Cam Lock Handles



- 1) Finish: Polished or Ball-burnished.
- 2) HD0050 Lefthand handle show.
- HD0051 Righthand handle is opposite.

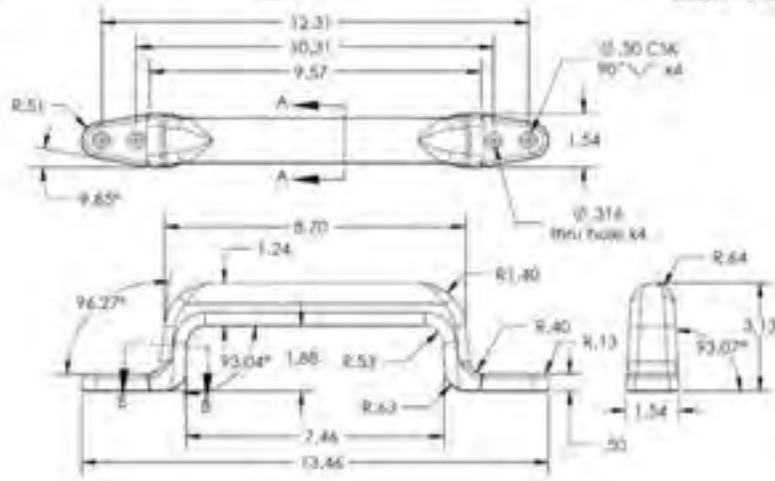


HD0052



HD0052 Grab Handle Casting

1) Finish: powder-coated
black crinkle.

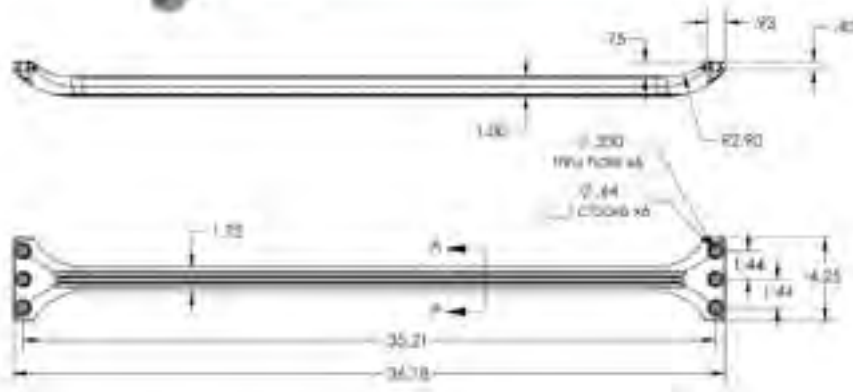


HD0053

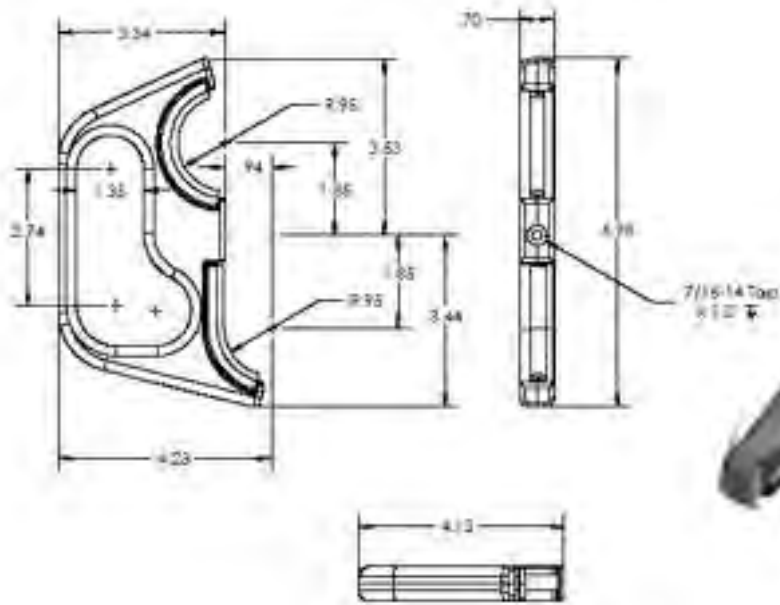


HD0053 36.18\"/> Grab Handle

1) Finish: Powder coated (-6BW).



HD4001-1

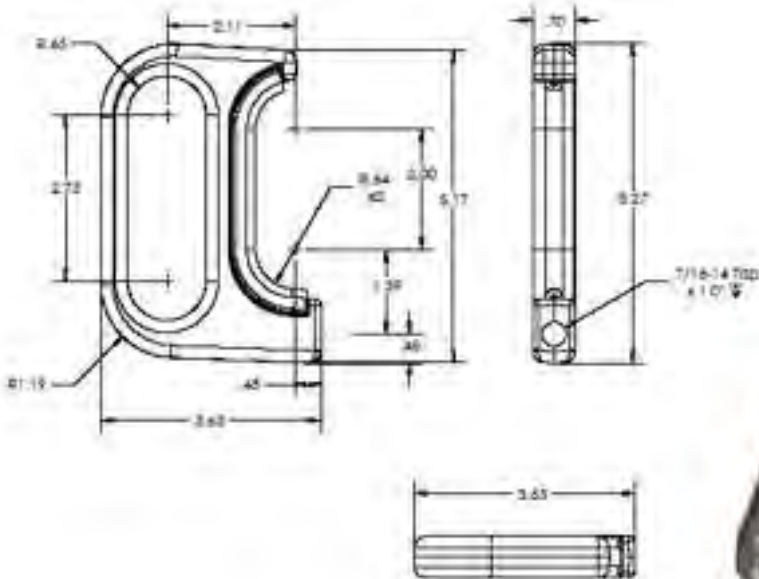


HD4001-1 2 Step Ladder Bracket w/ Rubber Trim-Lock Strips

- 1) Finish: Exterior surfaces are polished
- 2) Use Trim-Lock Padding for ladder rung contact



HD4002-1



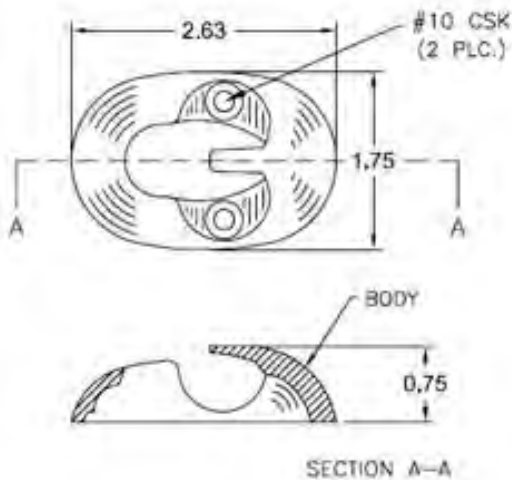
HD4002-1 Ladder Bracket Handle for Rubber Trim-Lock Strip

- 1) Finish: Exterior surfaces are polished
- 2) Use Trim-Lock Padding for ladder rung contact



IV Hangers

IV2001

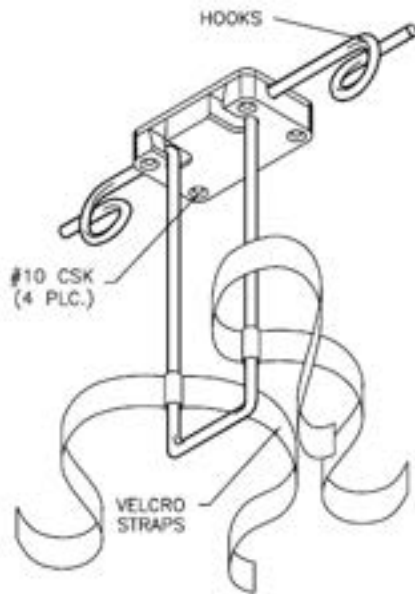


IV2001

I.V. Hook

- 1) Finish: Bright Polished.
- 2) Low silhouette with smooth, round surfaces to minimize the possibility of head injury. Hang IV Bag with one hand using thumb to actuate button.
- 3) High strength aluminum alloy 713. Can be ceiling or wall mounted. No clearance holes needed for installation.

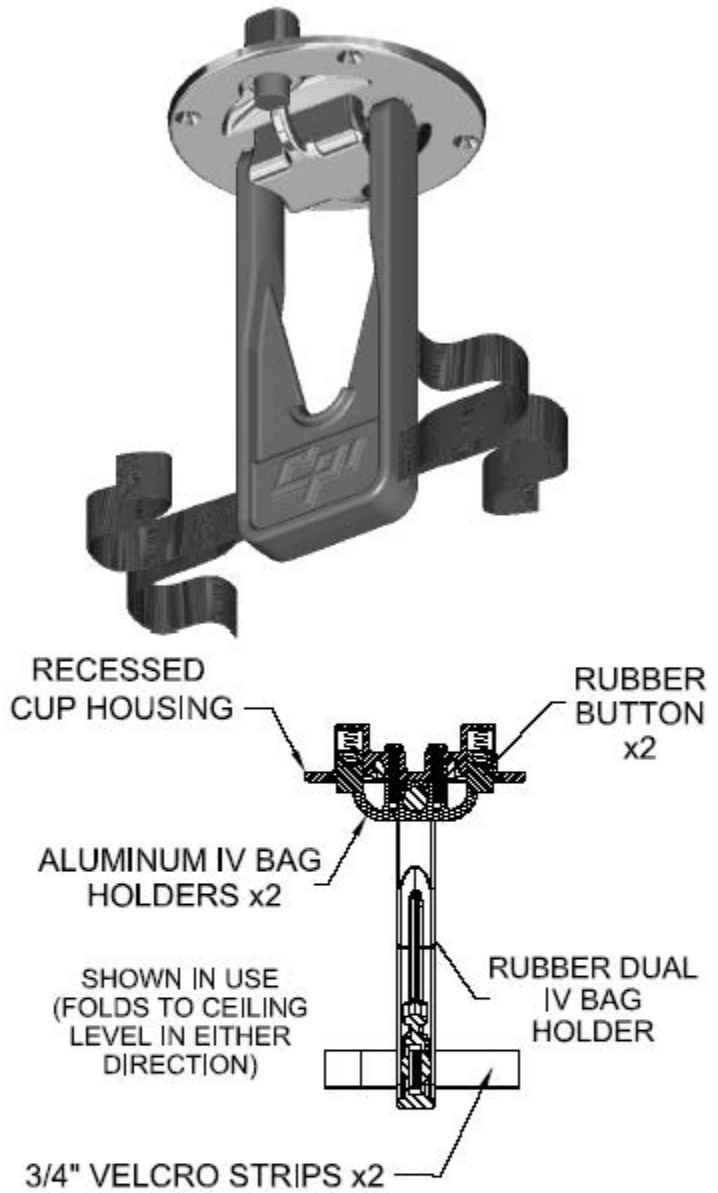
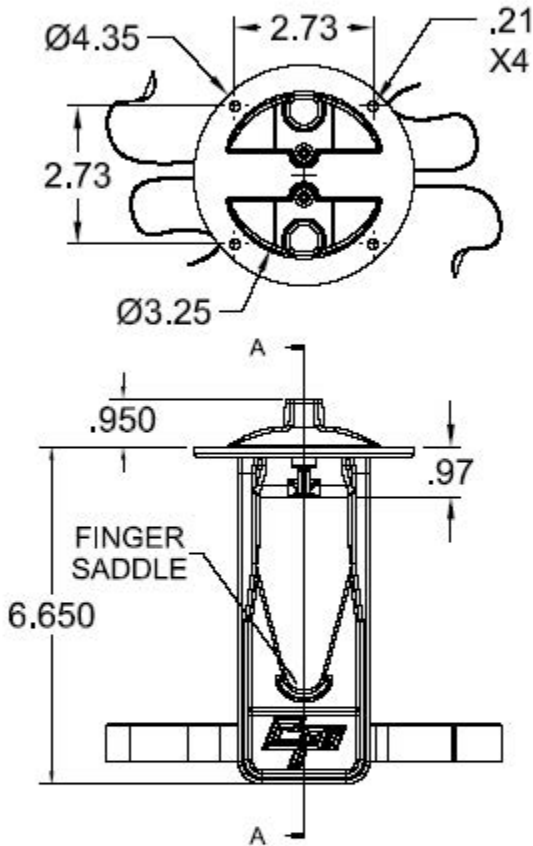
IV2002



IV2002

I.V. Hanger

- 1) Positive retention in both the stored and in use positions.
- 2) Material: Body made of cast aluminum. Hooks and stanchion made of 1/4" 6061-T6 Aluminum rod.
- 3) Designed for use with 500 or 1000 cc IV bags or bottles.
- 4) Finish: Bright polished.



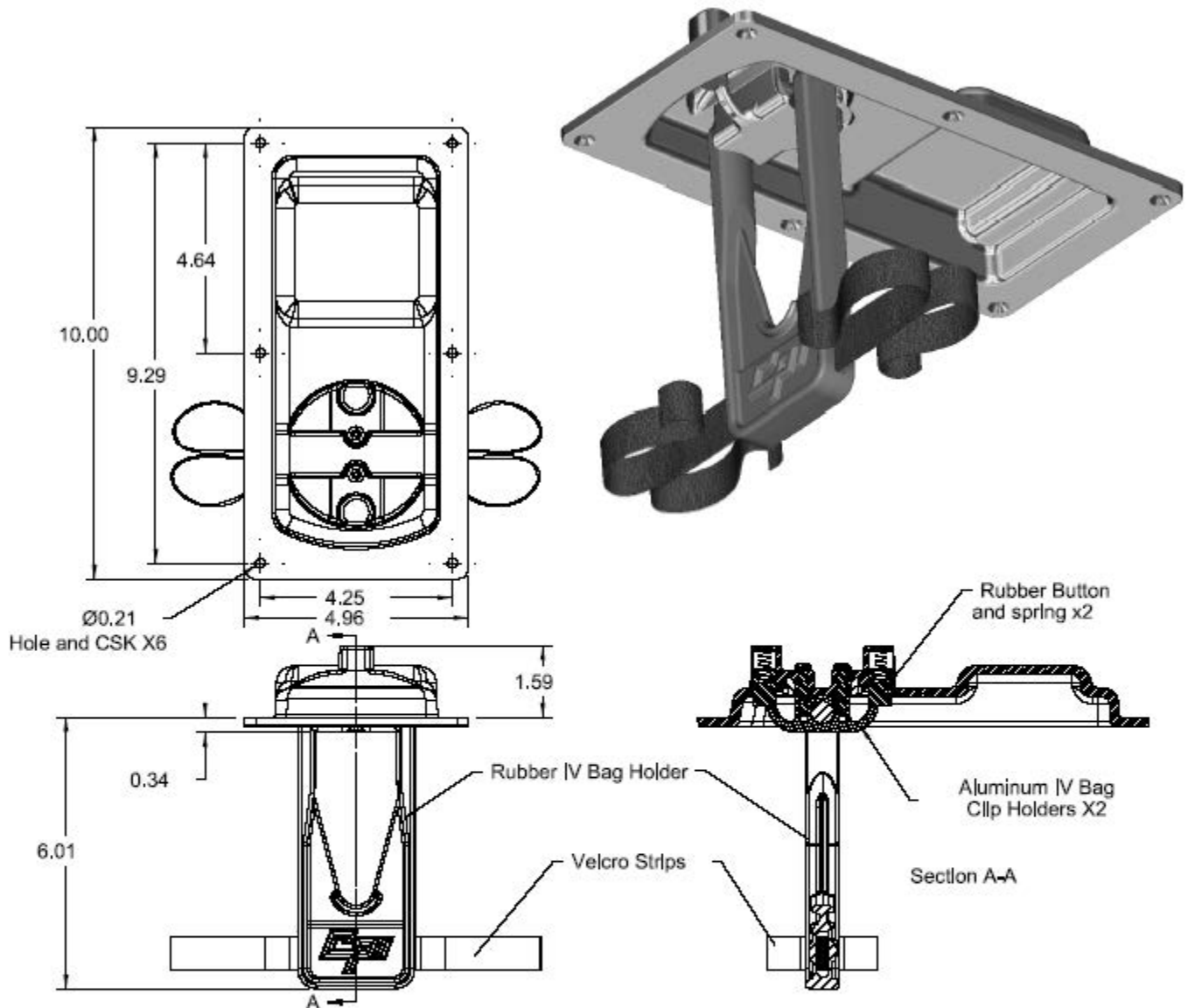
SECTION A-A

IV2007

Dual IV Hanger Assembly w/ Velcro (No Injury - Ceiling Mount)

- 1) Finish: Cup Housing and Aluminum IV Bag Clip Holders are polished. Rubber IV Bag Buttons, Rubber Dual IV Bag Holder and Velcro Strips are natural Black.
- 2) IV Bag Holder can be put away to the ceiling level in either direction.
- 3) IV Hanger assembly does not protrude more than 1", in use, or stored.

IV2008



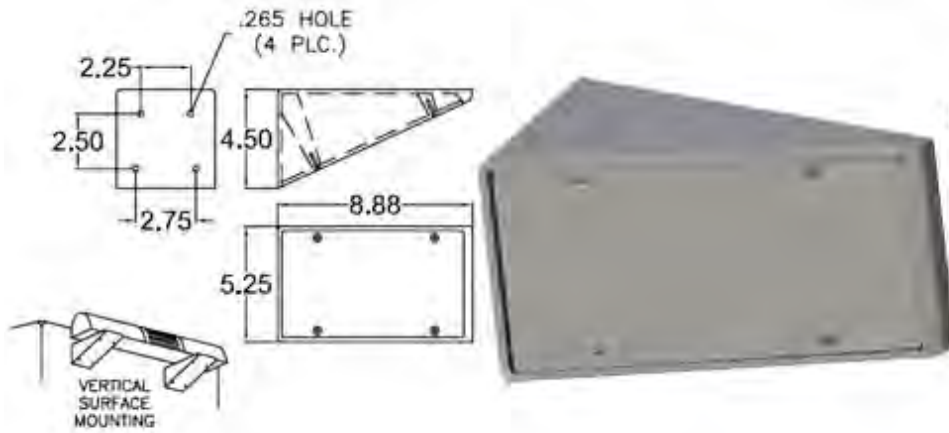
IV2008

Dual IV Hanger Assembly w/ Velcro (No Injury - Ceiling Mount)

- 1) Finish: Rectangular Housing and Aluminum IV Bag Clip Holders are polished. Rubber IV Bag Buttons, Rubber Dual IV Bag Holder and Velcro Strips are natural Black.
- 2) IV Bag Holder can be put away into the recessed area of the casting.
- 3) IV Hanger assembly does not protrude more than 1", in use, or stored.

Light Bar Brackets

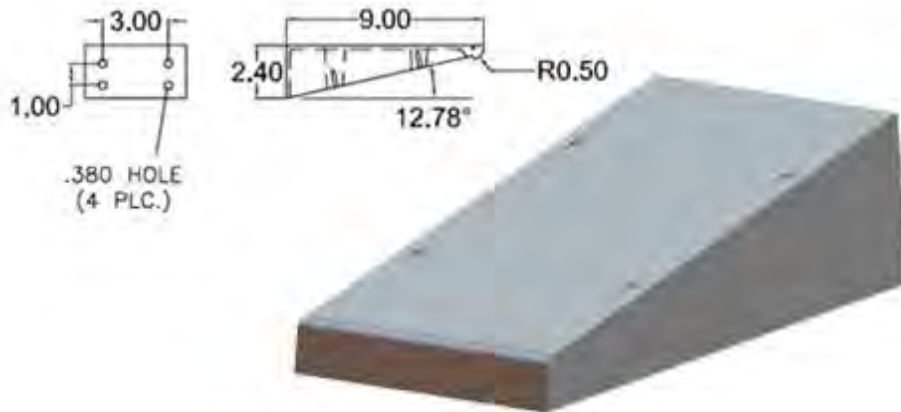
LB0004



LB0004 Light Bar Bracket

- 1) Finish: 120 grit ground for painting.
- 2) Shipped with cover installed.

LB0005



LB0005 Light Bar Bracket

- 1) Finish: 120 grit ground for painting.
- 2) Shipped with cover installed.

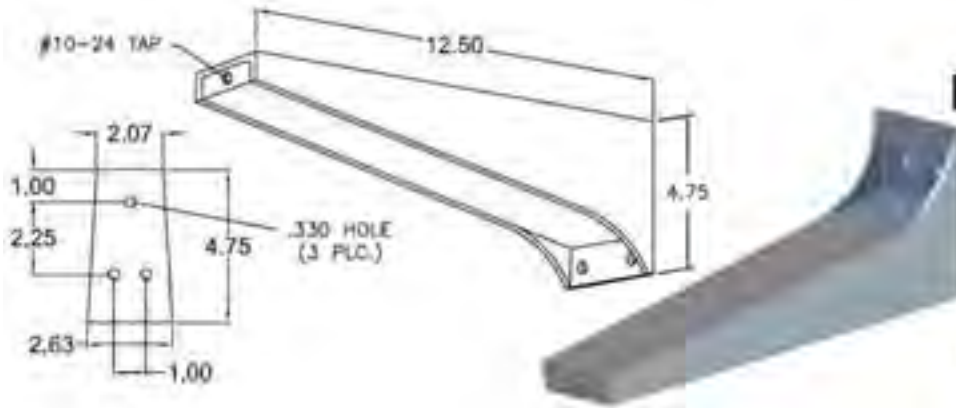
LB0006



LB0006 Light Bar Bracket

- 1) Finish: 120 grit ground for painting.
- 2) Shipped with cover installed.

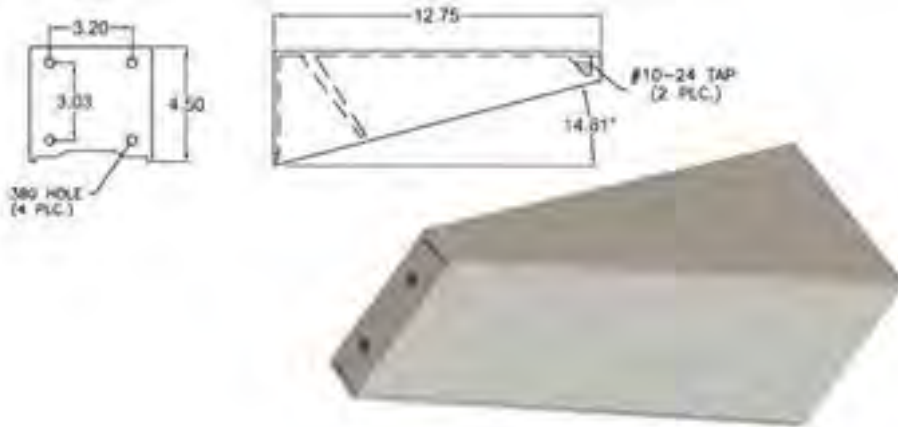
LB0011



LB0011 Light Bar Bracket

- 1) Finish: 120 grit ground for painting.
- 2) Shipped with cover installed.

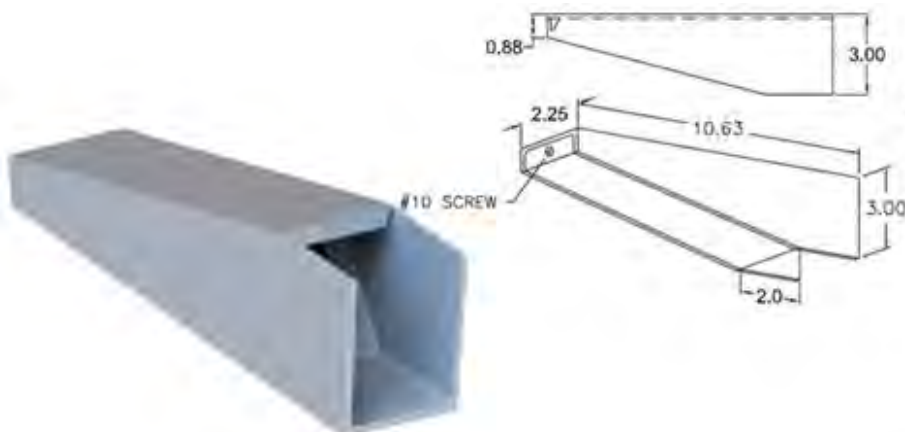
LB0013



LB0013 Light Bar Bracket

- 1) Finish: 120 grit ground for painting.
- 2) Shipped with cover installed.

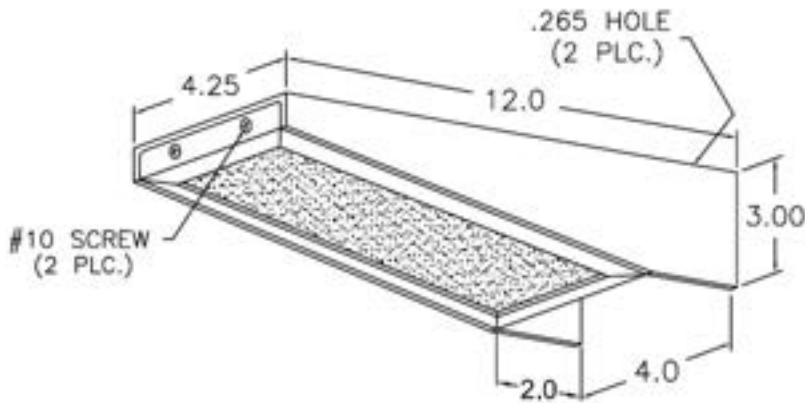
LB0019



LB0019 Stanchion Bracket 2" x 2" Post

- 1) Finish: Polished or 120 grit ground for painting.
- 2) Mounts to a 2" x 2" post or stanchion.
- 3) Lid mounts with one #10 screw.

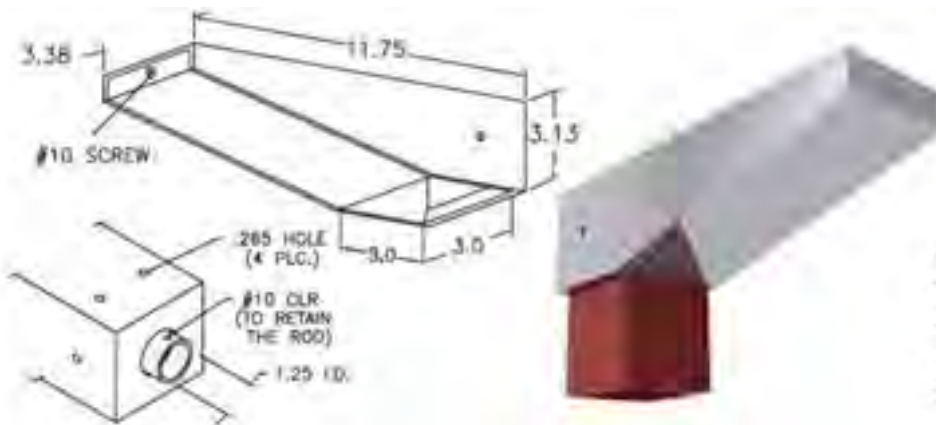
LB0020



LB0020 Stanchion Bracket 2" x 4" Post

- 1) Finish: Polished or 120 grit ground for painting.
- 2) Mounts to a 2" x 4" post or stanchion.
- 3) Lid mounts with two #10 screws.

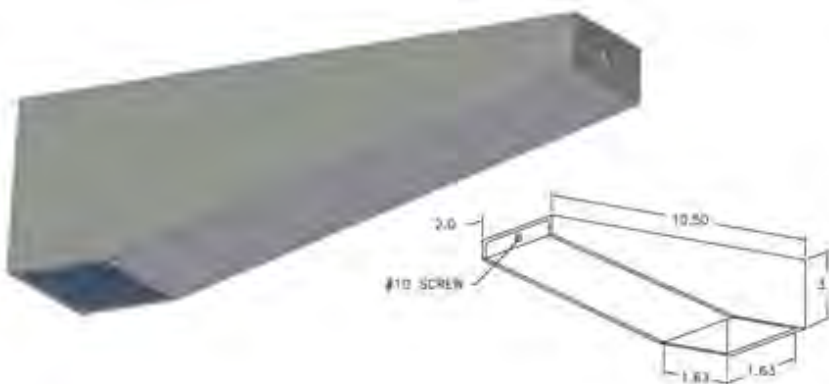
LB0021



LB0021 Stanchion Bracket with Rod Holder - 3" x 3" Post

- 1) Finish: Polished or 120 grit ground for painting.
- 2) Mounts to a 3" x 3" post or stanchion.
- 3) Lid mounts with one #10 screw.

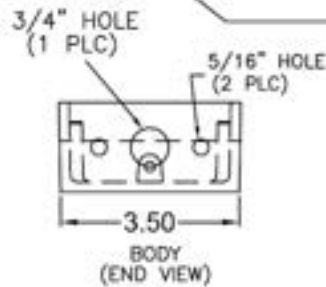
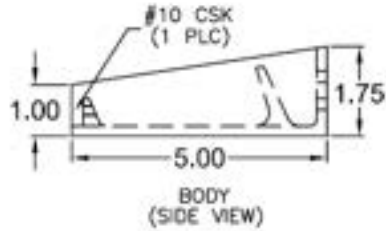
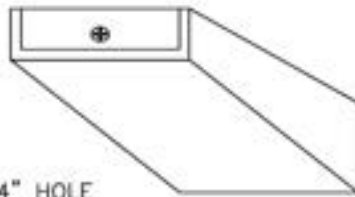
LB0022



LB0022 Stanchion Bracket 1 5/8" x 1 5/8" Post

- 1) Finish: Polished or 120 grit ground for painting.
- 2) Mounts to a 1 5/8" x 1 5/8" post or stanchion.
- 3) Lid mounts with one #10 screw.

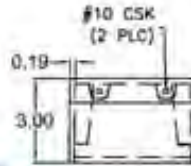
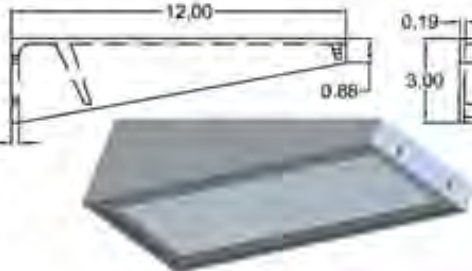
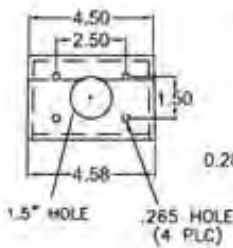
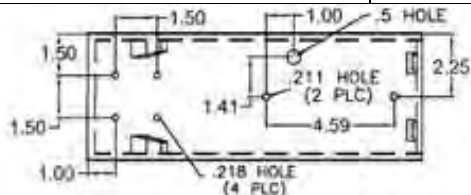
LB0023



LB0023 Stanchion Bracket

- 1) Finish: Polished or 120 grit ground for painting.
- 2) Lid mounts with one #10 screw.

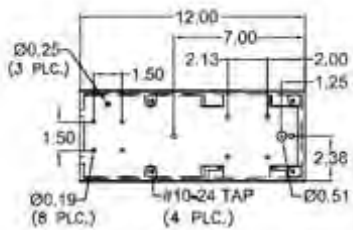
LB0024



LB0024 Stanchion Bracket

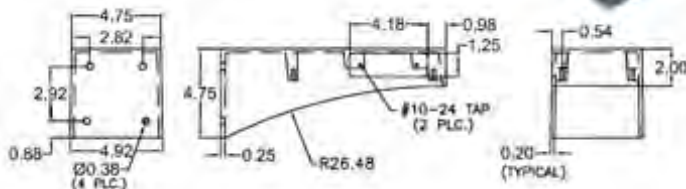
- 1) Finish: Polished or 120 grit ground for painting.
- 2) Lid mounts with two #10 screws.

LB0025-A

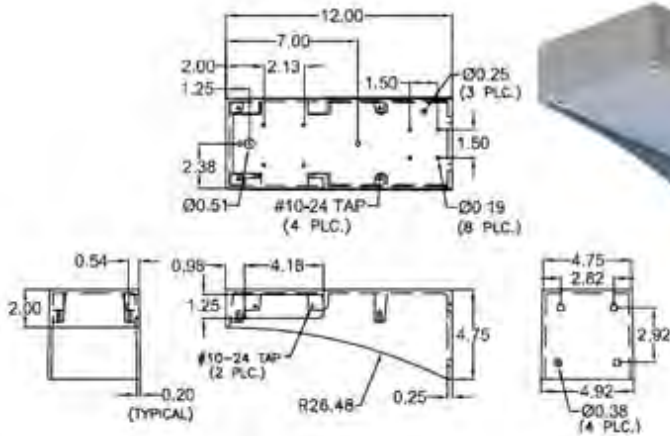


LB0025-A Stanchion Bracket (Right Side)

- 1) Finish: Polished or 120 grit ground for painting.
- 2) Lid mounts with four #10 screw.
- 3) Recesses a 1" x 4" Marker Light.



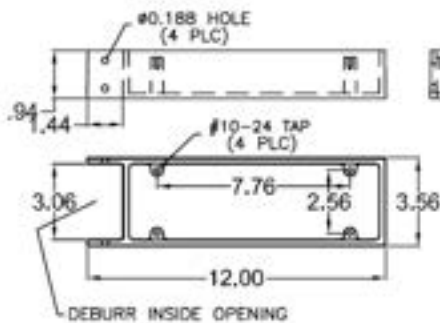
LB0025-B



LB0025-B Stanchion Bracket (Left Side)

- 1) Finish: Polished or 120 grit ground for painting.
- 2) Lid mounts with four #10 screws.
- 3) Recesses a 1" x 4" Marker Light

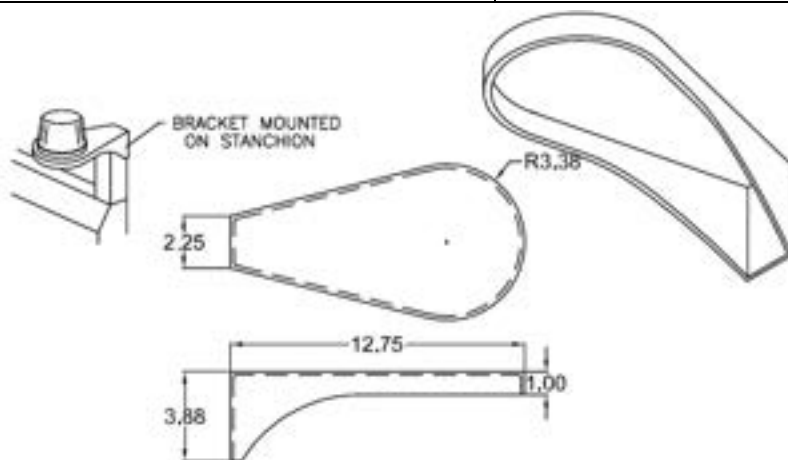
LB0026



LB0026 Stanchion Bracket

- 1) Finish: Polished or 120 grit ground for painting.
- 2) Lid mounts with four #10 screws.

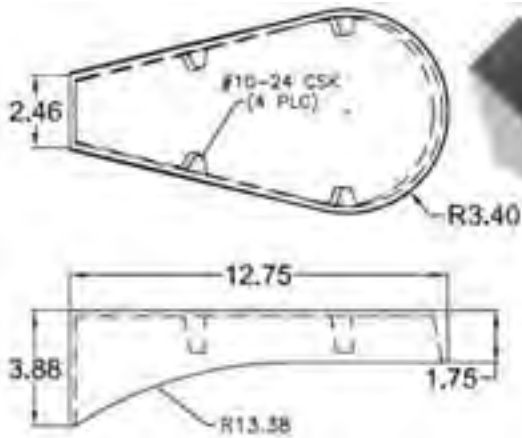
LB0028



LB0028 Stanchion Bracket 2" x 2" Post

- 1) Finish: Polished or 120 grit ground for painting.
- 2) Mounts to a 2" x 2" post or stanchion.

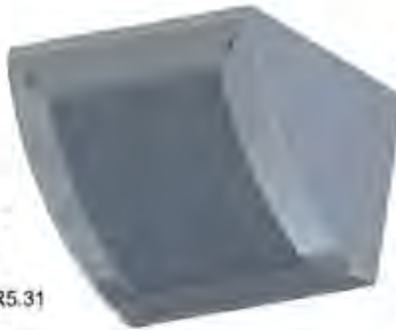
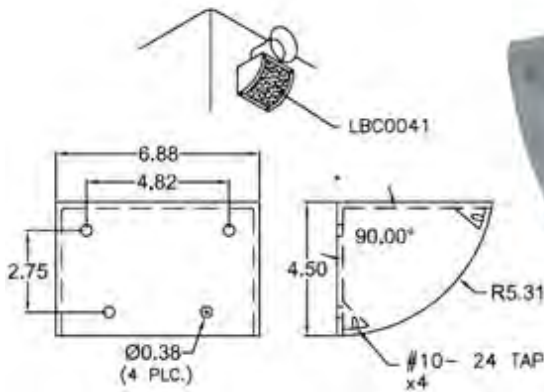
LB0029



LB0029 Stanchion Bracket 2" x 2" Post

- 1) Finish: Polished or 120 grit ground for painting.
- 2) Mounts to a 2" x 2" post or stanchion.
- 3) Lid mounts with four #10 screws.

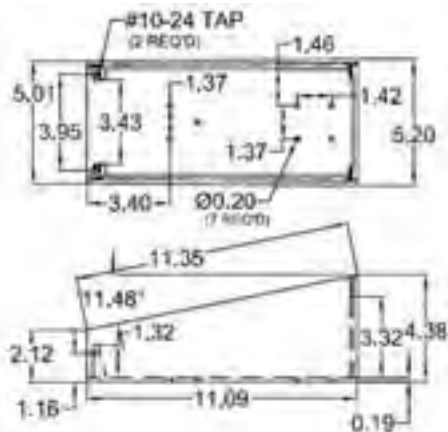
LB0031



LB0031 Enclosed Mounting Bracket

- 1) Finish: Polished or 120 grit ground for painting.
- 2) Designed to mount Air Horns, Lights, etc....

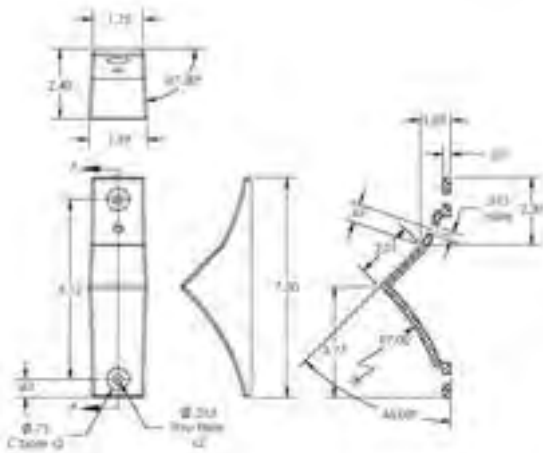
LB0032



LB0032 Stanchion Bracket 3/8" x 3 1/2" Post

- 1) Finish: Polished or 120 grit ground for painting.
- 2) Mounts to a 3/8" x 3 1/2" post or stanchion.
- 3) Lid mounts with two #10 screws.

LB0033

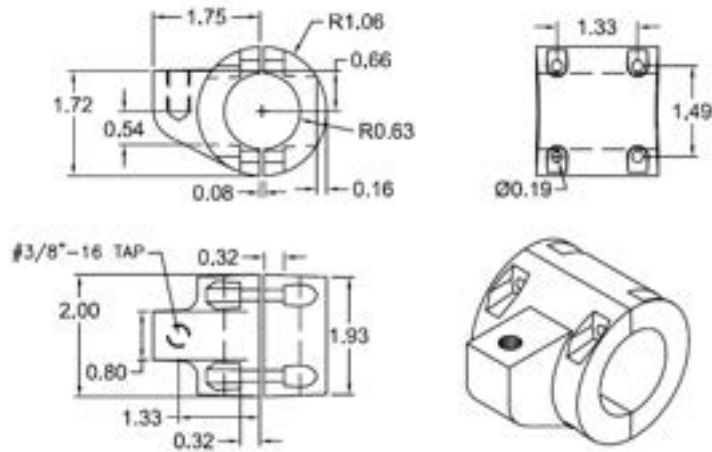


**LB0033
Stanchion Bracket**

1) Finish: ball-burnished or polished exterior surfaces.



LB0034

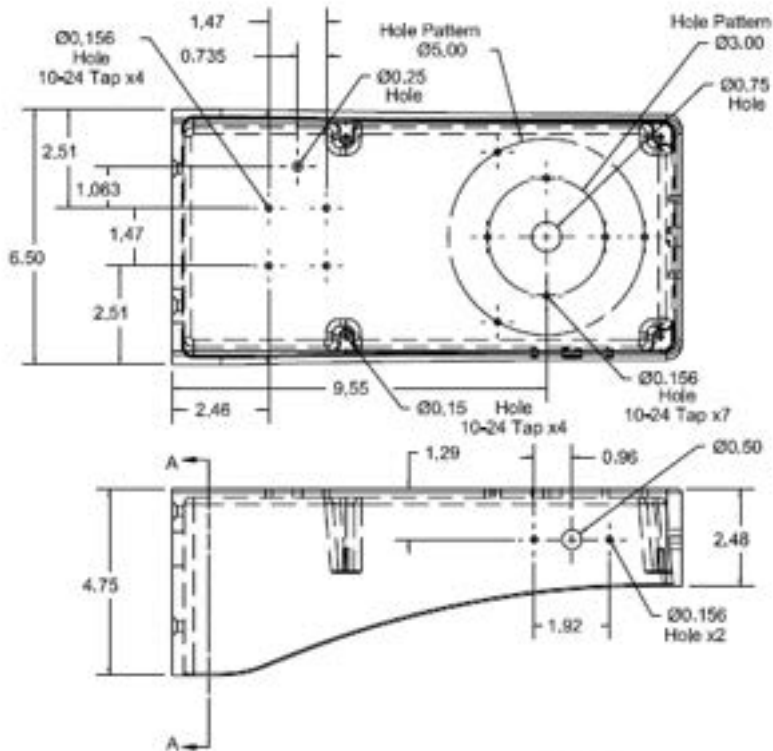


**LB0034
Mount Bracket -
Light to Crashbar**

1) Finish: Polished.



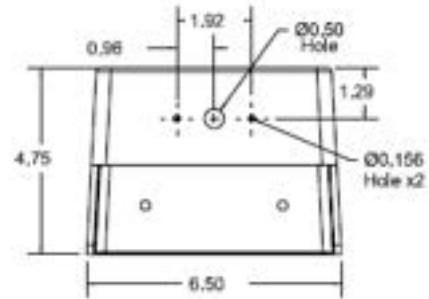
LB0041-A



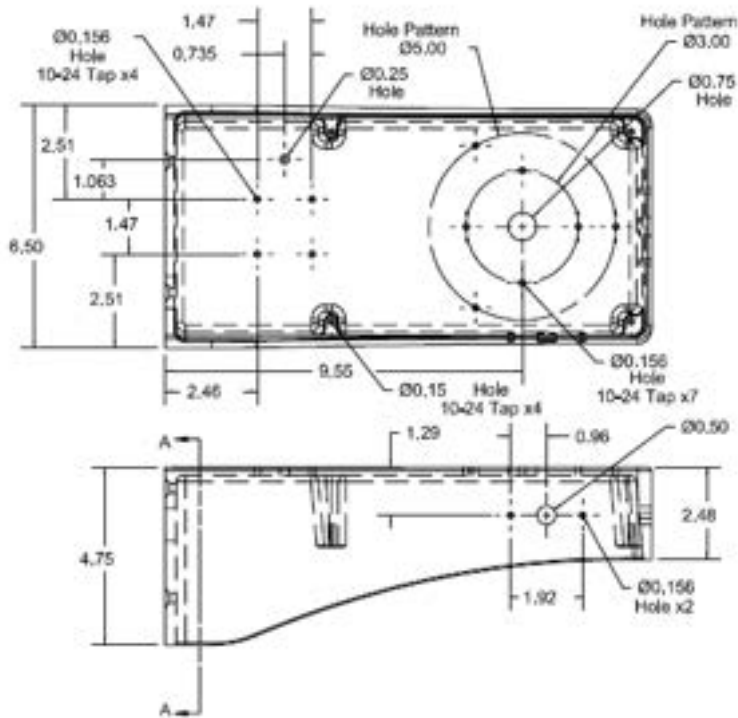
LB0041-A

Right Side - Stanchion Bracket and Lid

- 1) Finish: Bright Polished.
- 2) Shipped with lid installed.



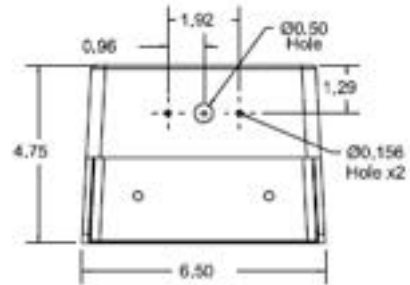
LB0041-B



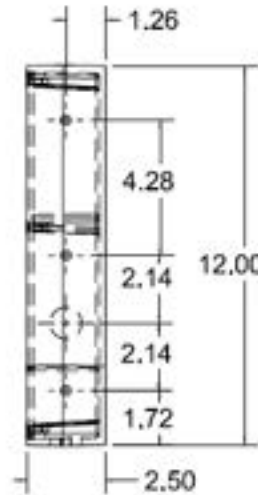
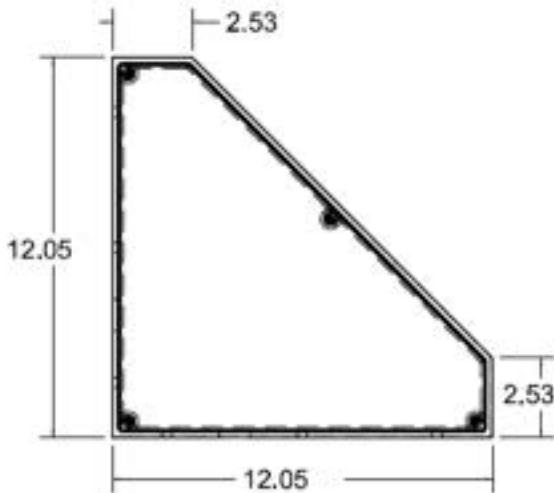
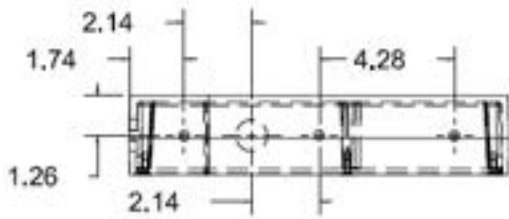
LB0041-B

Left Side - Stanchion Bracket and Lid

- 1) Finish: Bright Polished.
- 2) Shipped with lid installed.



LB0045

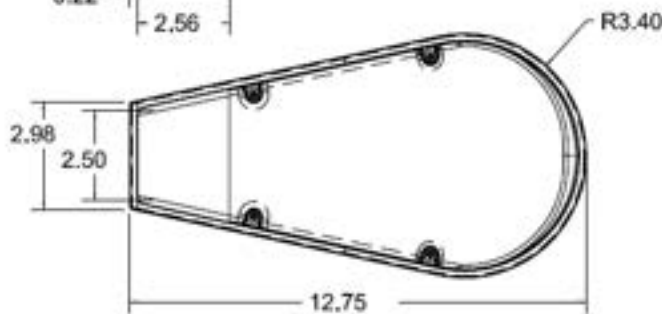


LB0045 Angled Light Box w/ Lid

- 1) Finish: exterior band is polished. Lid and opposite side are 120 grit ground.
- 2) Shipped with lid installed.

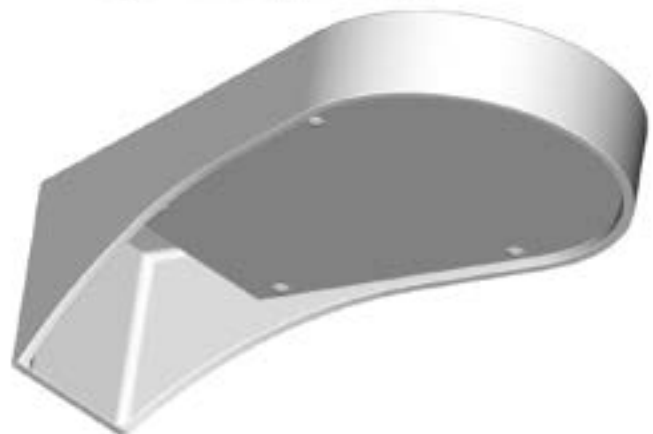


LB0048

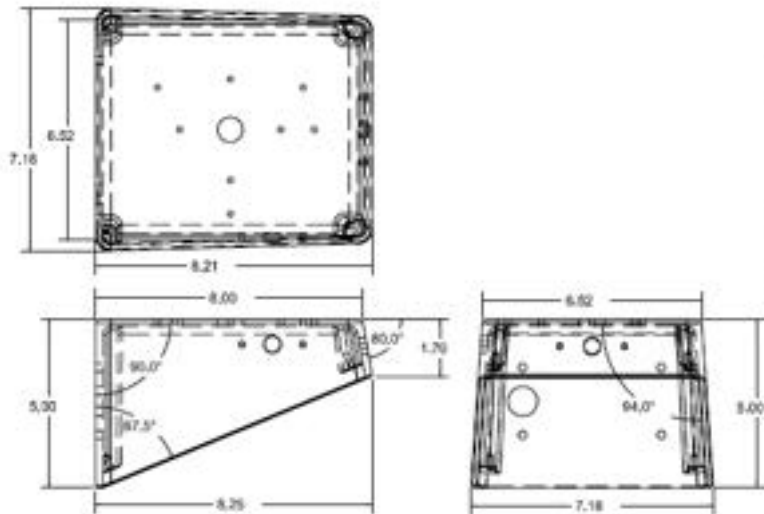


LB0048 Stanchion Bracket and Lid

- 1) Finish: exterior band is polished. Top side is 120 grit ground. Lid is wheel-a-brated.
- 2) Shipped with lid installed.
- 3) For 2 1/2" square tubing.



LB0049-A

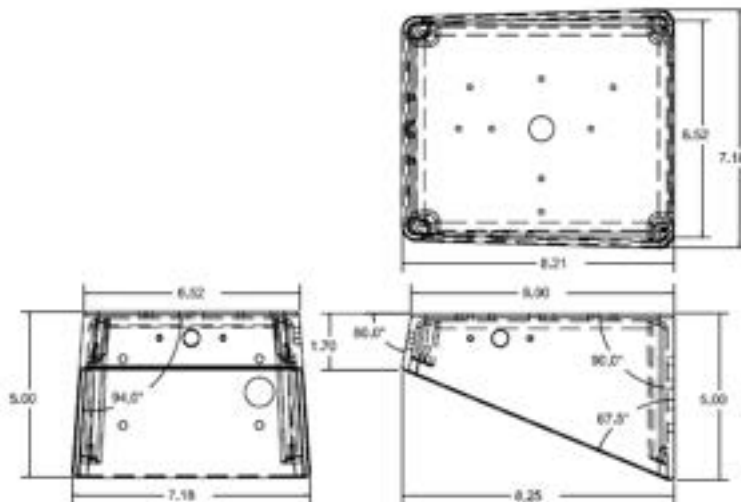


LB0049-A Lefthand Stanchion Bracket and Lid

- 1) Finish: exterior band is polished. Top side is 120 grit ground. Lid is wheel-a-brated.
- 2) Shipped with lid installed.



LB0049-B

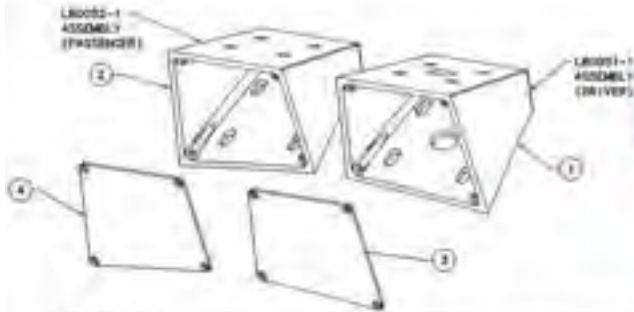


LB0049-B Righthand Stanchion Bracket and Lid

- 1) Finish: exterior band is polished. Top side is 120 grit ground. Lid is wheel-a-brated.
- 2) Shipped with lid installed.



LB0051 LB0052



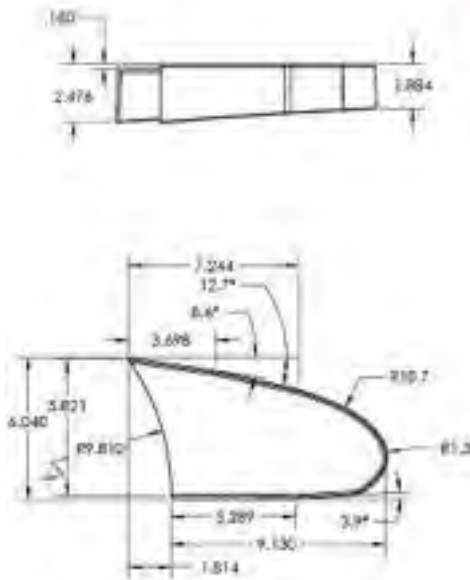
Item Qty	Part #	Name
1	1	LB0051-1 Driver - Left Hand Stanchion Bracket Casting
1	1	LB0052-1 Passenger - Right Hand Stanchion Bracket Casting
1	1	LB0052-1 Left Hand Access Lid - Stamping
1	1	LB0052-1-R Right Hand Access Lid - Stamping



LB0051 and LB0052 Stanchion Brackets (Rt and Lft) for 2008 Sprinter

- 1) Finish: polished exterior with ground top surface
- 2) LB0051 Left Hand LB0052 Right Hand.

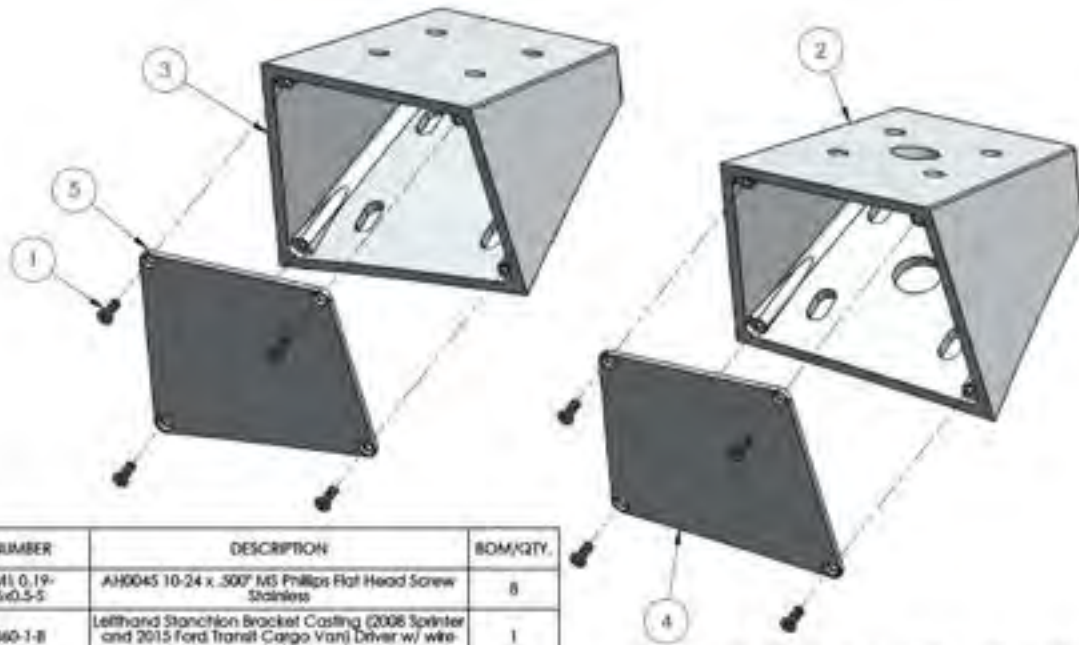
LB0053 LB0054



LB0053 & LB0054 Mars Light - Stanchion Brackets (Rt & Lft)

- 1) Finish: Wheel-a-brated w/ exterior polished
- 2) LB0053-1 Left hand shown
- 3) LB0054-1 Right hand is opposite

LB0057 LB0058



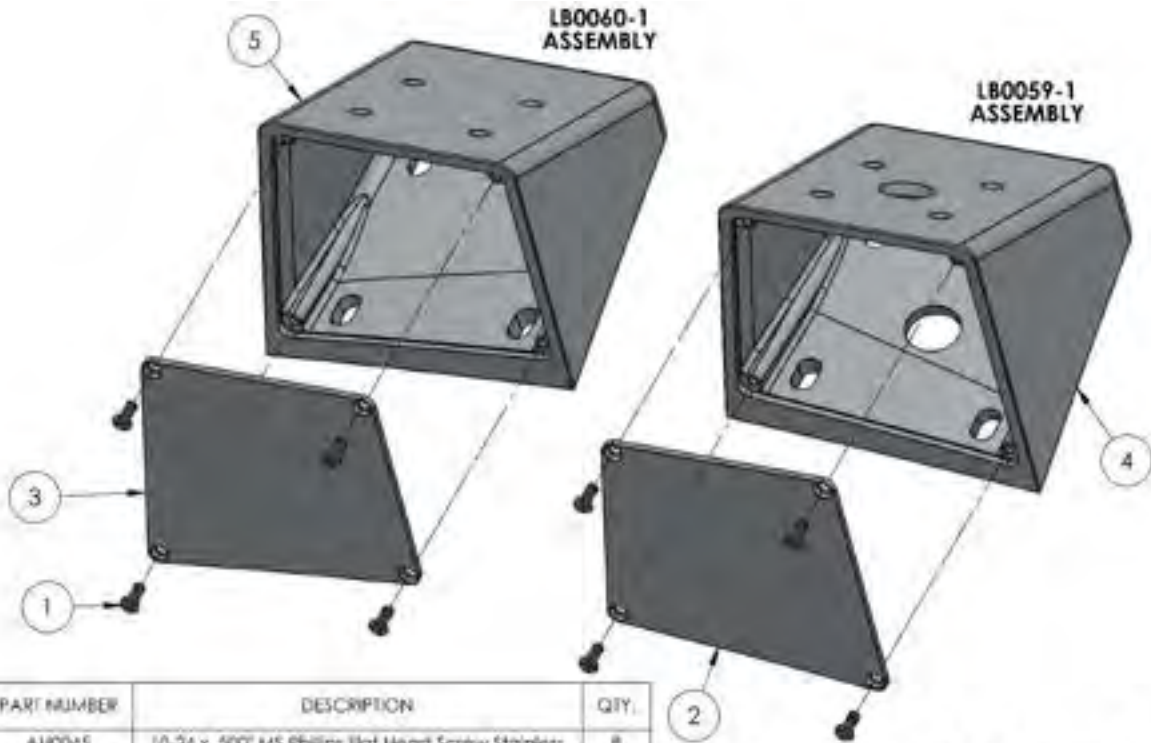
ITEM NO.	PART NUMBER	DESCRIPTION	BOM/QTY.
1	CR-FHM1 0.19-24x0.5x0.5-5	A190045 10-24 x .500" MS Phillips Flat Head Screw Stainless	8
2	LBC0060-1-B	Left-hand Stanchion Bracket Casting (2008 Sprinter and 2015 Ford Transit Cargo Van) Driver w/ wire-hole	1
3	LBC0061-1-B	Right-hand Stanchion Bracket Casting (2015 Ford Transit Cargo Van) Passenger	1
4	LBC0062-1	Left-hand Access Lid Stamping (2008 Sprinter or 2015 Ford Transit)	1
5	LBC0062-1-A	Right-hand Access Lid Stamping (2008 Sprinter or 2015 Ford Transit)	1

LB0057 LB0058 Stanchion Bracket Assemblies with wire/mounting holes (2015 Ford Transit Cargo Van)

- 1) Finish: Exterior surfaces polished.
- 2) For high or medium roof.



LB0059 LB0060



ITEM	PART NUMBER	DESCRIPTION	QTY.
1	AH0045	10-24 x .500" MS Phillips Flat Head Screw Stainless	8
2	LBC0062-1	Lefthand Access Lid Stamping	1
3	LBC0062-1-A	Righthand Access Lid Stamping	1
4	LBC0067-1	Lefthand Stanchion Bracket Casting w/ wire inlet hole [2015 Dodge ProMaster] Driver	1
5	LBC0068-1	Righthand Stanchion Bracket Casting [2015 Dodge ProMaster] Passenger	1

LB0059-1 LB0060-1 2015 Dodge ProMaster Light Bar Brackets

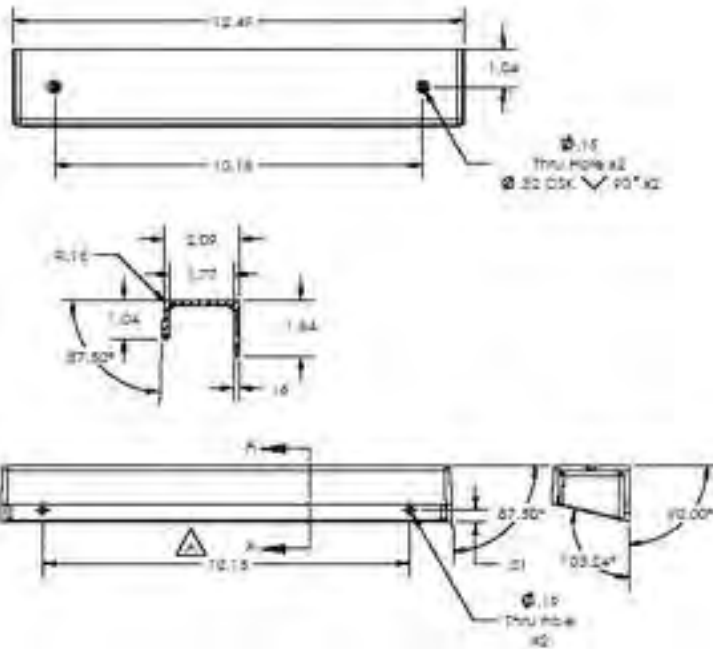
- 1) Finish: exterior surfaces are polished.
- 2) -A version for No Top Holes.



Light Housings

Weldon 1000 Series

LH0010

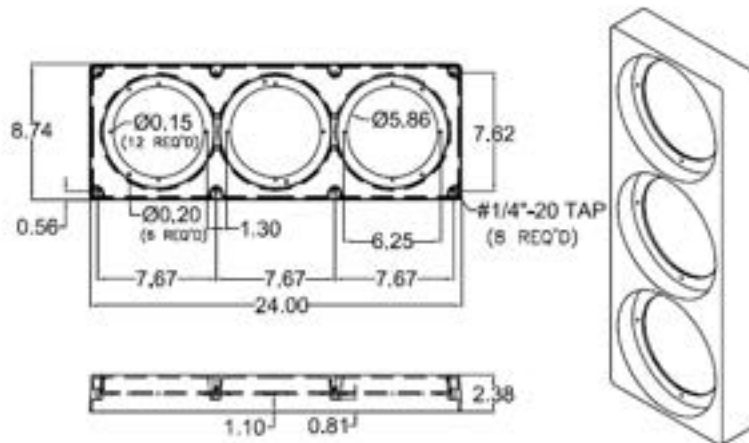


LH0010-1 Pump Panel Light Housing

1) Finish: Front face, top, bottom lip, and two ends are polished. Ball-burnished interior



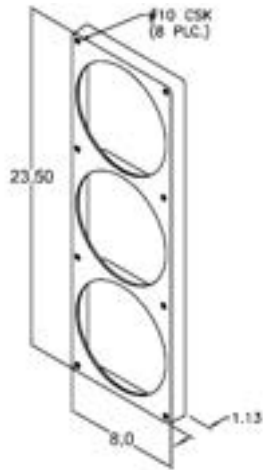
LH10101



LH10101 Triple Light Trim Weldon 1000

1) Finish: All exterior surfaces are bright polished or 120 grit ground.
2) Angle: 0°
3) Function: provides an aesthetic trim where a three light cluster is to be mounted.
4) Total surface mount. No clearance hole in the body required.

LH10201

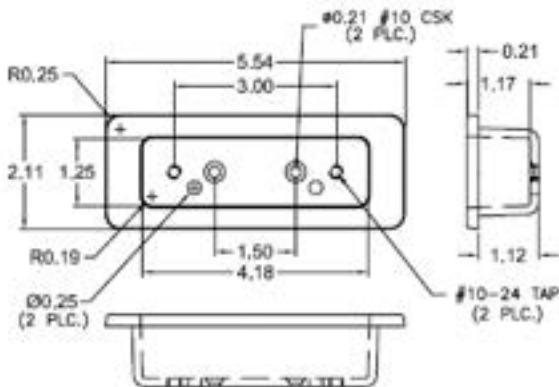


LH10201 Triple Light Trim Weldon 1000

- 1) Finish: All exterior surfaces are bright polished or 120 grit ground.
- 2) Angle: 0°
- 3) Function: provides an aesthetic trim where a three light cluster is to be mounted.

1" x 4" Marker Lights

LH14701

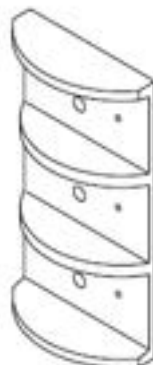
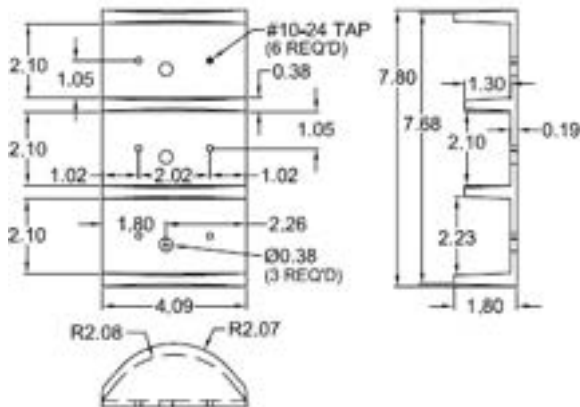


LH14701

Marker Light Housing (Truck-Lite)

- 1) Finish: Polished.
- 2) Angle: 0°

LH14702



LH14702 Triple Marker Light Housing

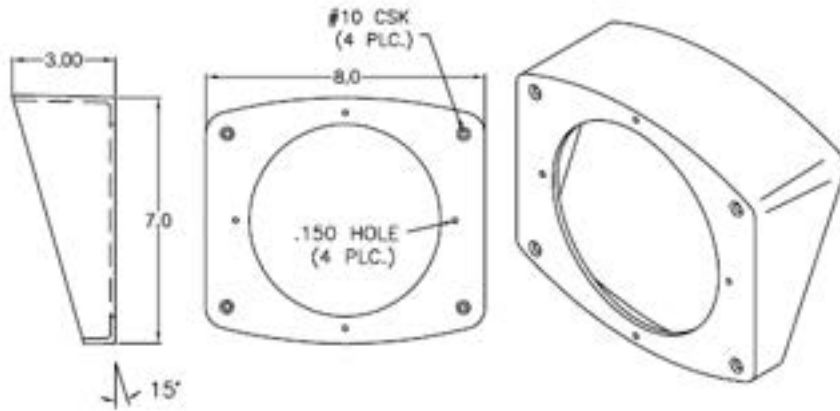
- 1) Finish: wheel-a-brated.
- 2) Angle: 0°

Weldon 2000 series

LH20101	
	<h3 style="text-align: center;">LH20101 Triple Light Trim Weldon 2000</h3> <ol style="list-style-type: none"> 1) Finish: All exterior surfaces are bright polished or 120 grit ground. 2) Angle: 0° 3) Function: provides an aesthetic trim where a three light cluster is to be mounted. 4) Total surface mount. No clearance hole in the body required.

LH20103	
	<h3 style="text-align: center;">LH20103 Light Housing Weldon 2000</h3> <ol style="list-style-type: none"> 1) Finish: All exterior surfaces are bright polished or 120 grit ground. 2) Angle: 0° 3) Total surface mount. No clearance hole in the body required.

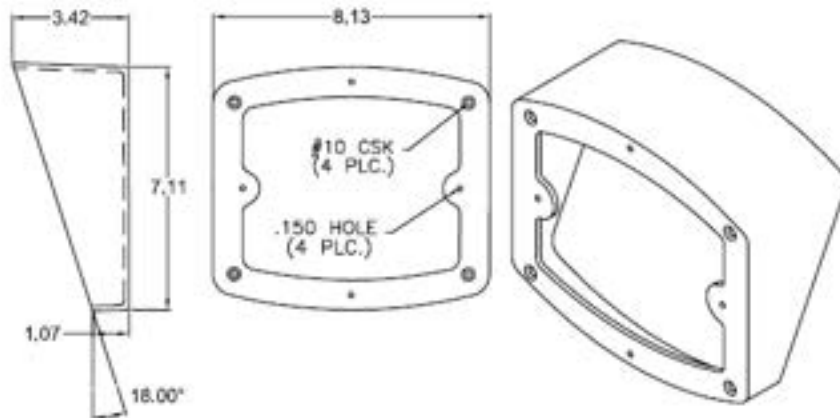
LH20104



LH20104 Light Housing Weldon 2000

- 1) Finish: All exterior surfaces are bright polished or 120 grit ground.
- 2) Angle: 15°
- 3) Total surface mount. No clearance hole in the body required.

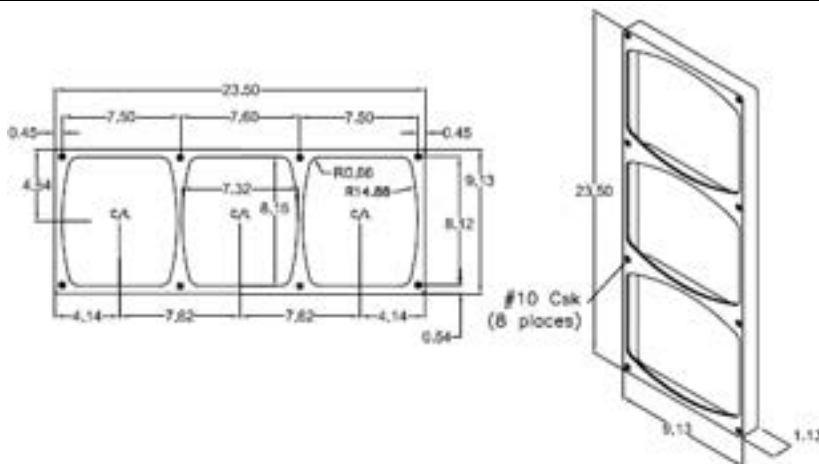
LH20105



LH20105 Light Housing Weldon 2000

- 1) Finish: All exterior surfaces are bright polished or 120 grit ground.
- 2) Angle: 18°
- 3) Total surface mount. No clearance hole in the body required.

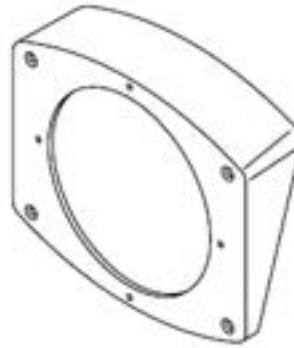
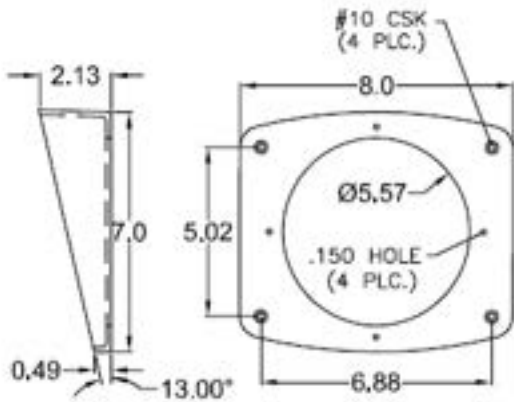
LH20201



LH20201 Triple Light Trim Weldon 2000

- 1) Finish: All exterior surfaces are bright polished or 120 grit ground.
- 2) Angle: 0°

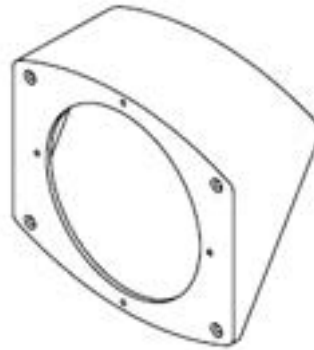
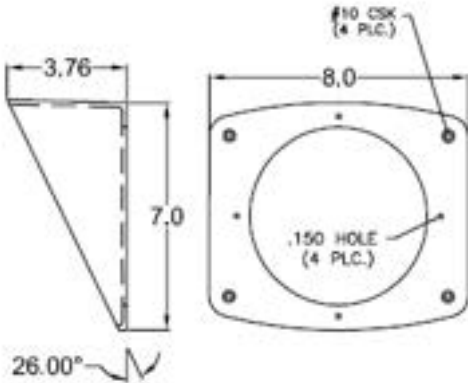
LH20205



LH20205 Light Housing Weldon 2000

- 1) Finish: All exterior surfaces are bright polished or 120 grit ground.
- 2) Angle: 13°

LH20206

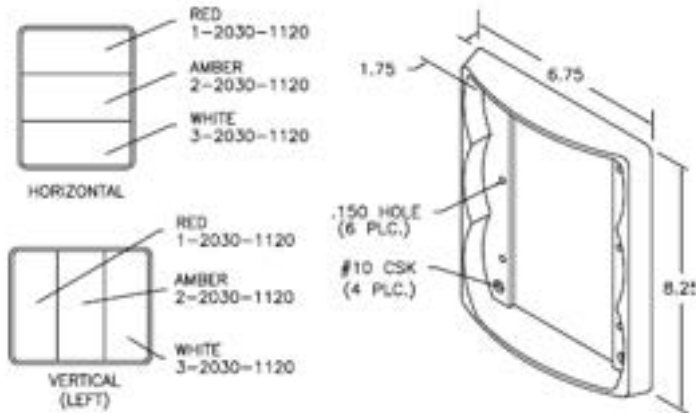


LH20206 Light Housing Weldon 2000

- 1) Finish: All exterior surfaces are bright polished or 120 grit ground.
- 2) Angle: 26°

Weldon 2030 Series

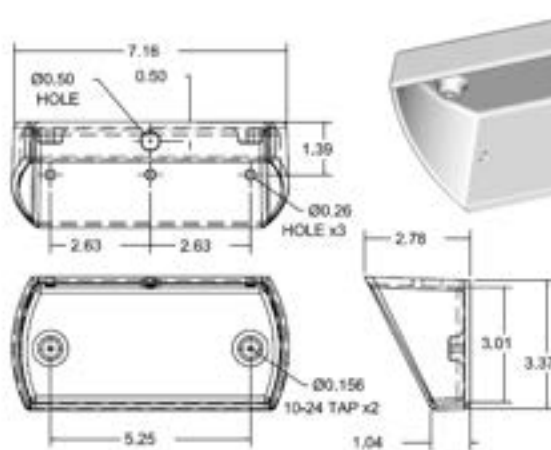
LH23201



LH23201 Triple Light Housing Weldon 2030

- 1) Finish: All exterior surfaces are bright polished or 120 grit ground.
- 2) Designed to accommodate a complete tail light assembly, consisting of tail, turn, and back-up lamps.
- 3) Installation: Three clearance holes for bulb sockets.

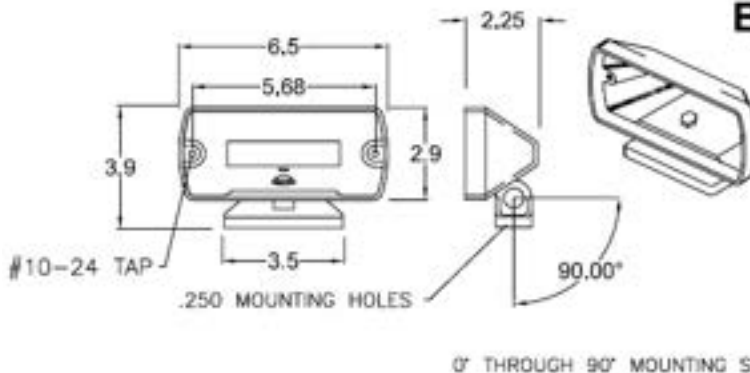
LH23202



LH23202 Panel Housing Weldon 2030

- 1) Finish: All exterior surfaces are bright polished or 120 grit ground.
- 2) Angle: 0°

LH23501

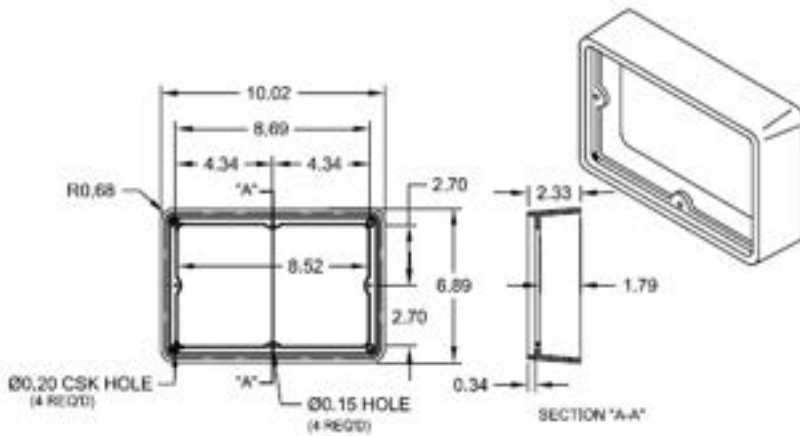


LH23501 Bumper Mount Light Housing Weldon 2030

- 1) Finish: All exterior surfaces are bright polished or 120 grit ground.
- 2) Mounting Angle: between 0° and 90°.

Weldon 3020 Series

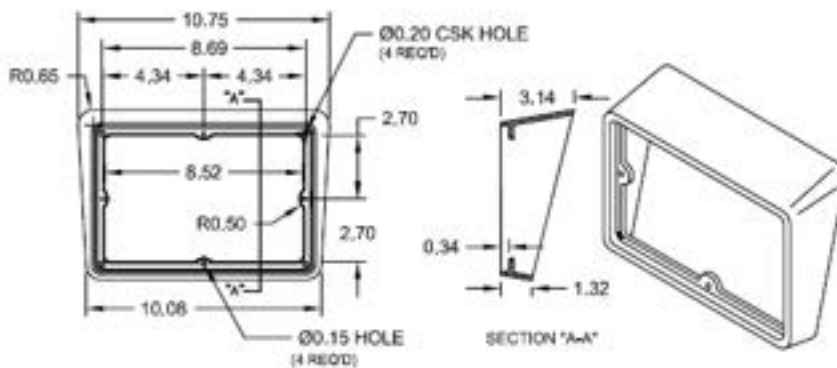
LH32101



LH32101 Light Housing Weldon 3020

- 1) Finish: All exterior surfaces are bright polished or 120 grit ground.
- 2) Angle: 0°
- 3) 1/8" cord gasket to seal housing to the body (optional: customer please specify).
- 4) Total surface mount. No clearance hole in the body required.

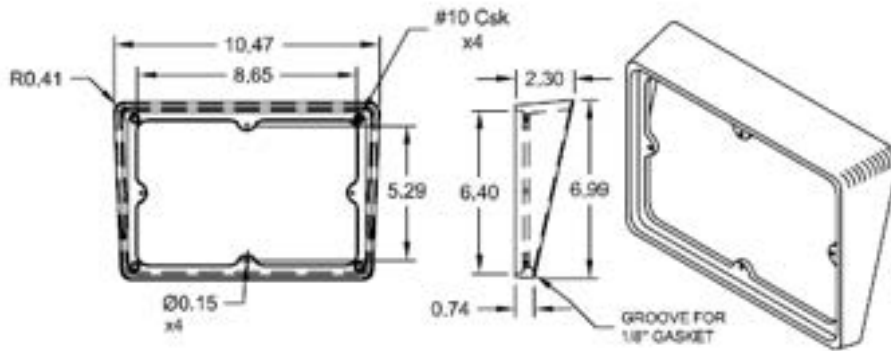
LH32102



LH32102 Light Housing Weldon 3020

- 1) Finish: All exterior surfaces are bright polished or 120 grit ground.
- 2) Angle: 15°
- 3) 1/8" cord gasket to seal housing to the body (optional: customer please specify).
- 4) Total surface mount. No clearance hole in the body required.

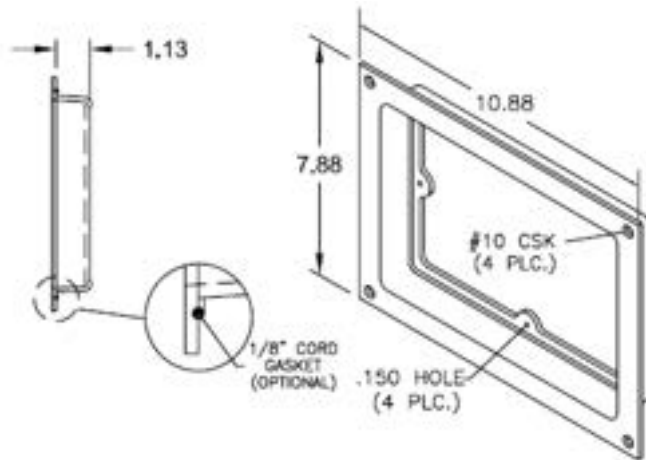
LH32201



LH32201 Light Housing Weldon 3020

- 1) Finish: All exterior surfaces are bright polished or 120 grit ground.
- 2) Angle: 13°
- 3) 1/8" cord gasket to seal housing to the body (optional: customer please specify).

LH32301

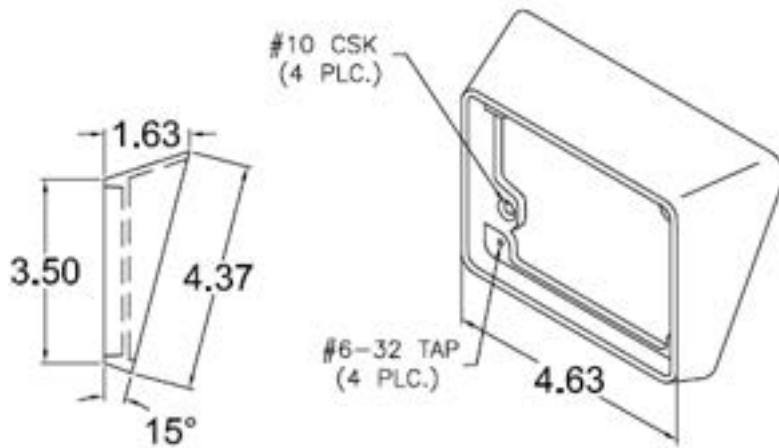


LH32301 Recessed Light Housing Weldon 3020

- 1) Finish: All exterior surfaces are bright polished or 120 grit ground.
- 2) Angle: 0°
- 3) 1/8" cord gasket to seal housing to the body (optional: customer please specify).

3 x 4 Light Housings

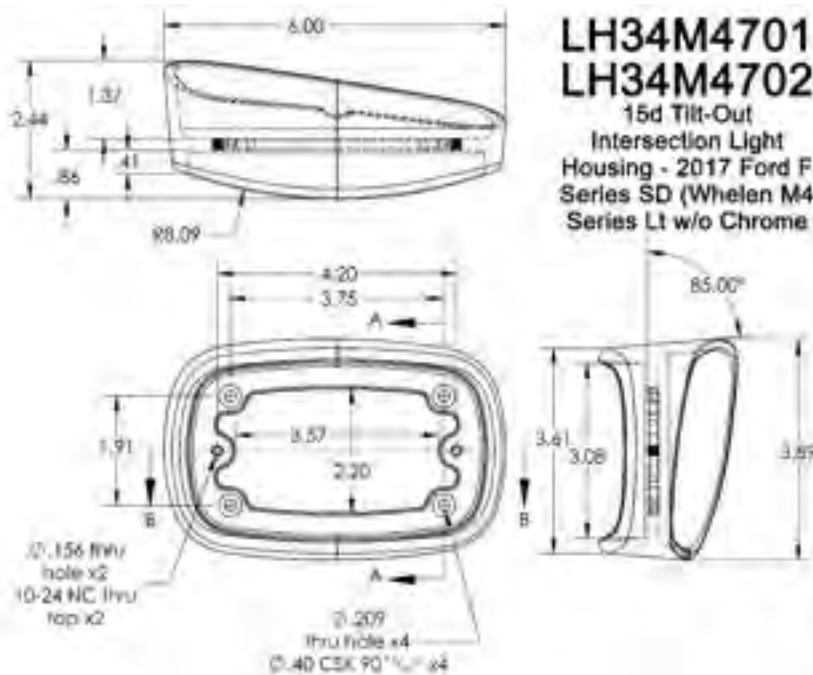
LH34203



LH34203 Light Housing (3" x 4" Light)

- 1) Finish: All exterior surfaces are bright polished or 120 grit ground.
- 2) Angle: 15°

LH34M4701 LH34M4702



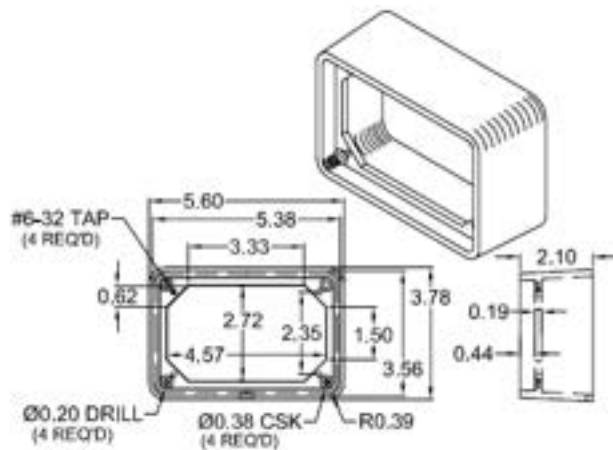
LH34M4701 LH34M4702

15d Tilt-Out
Intersection Light
Housing - 2017 Ford F
Series SD (Whelen M4
Series Lt w/o Chrome



1. Finish: exterior surfaces are polished.
- 2) For Whelen M4 Series Lt w/o Chrome Trim, 15d. Intersection Lt Hsg (2017 Ford F Series SD)
- 3) M4 Intersection Housing: works with Plain Fender and Fender with Large Fender Flare

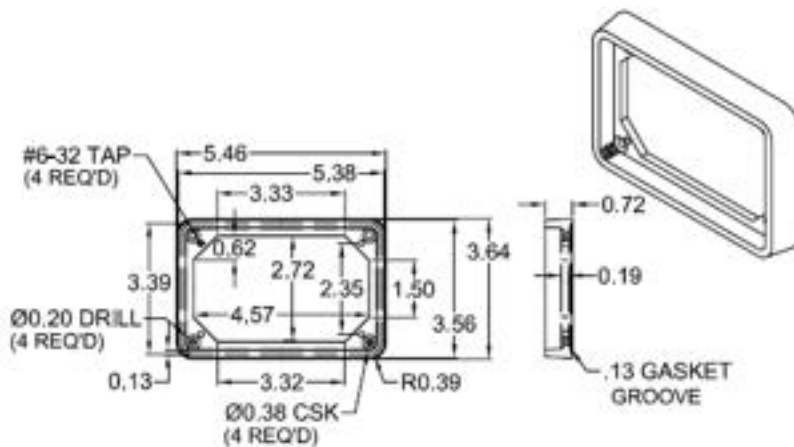
LH35101



LH35101 Surface Mount Light Housing (3" x 5" Light)

- 1) Finish: All exterior surfaces are bright polished.
- 2) Angle: 0°
- 3) For use with a 3" x 5" linear strobe light.

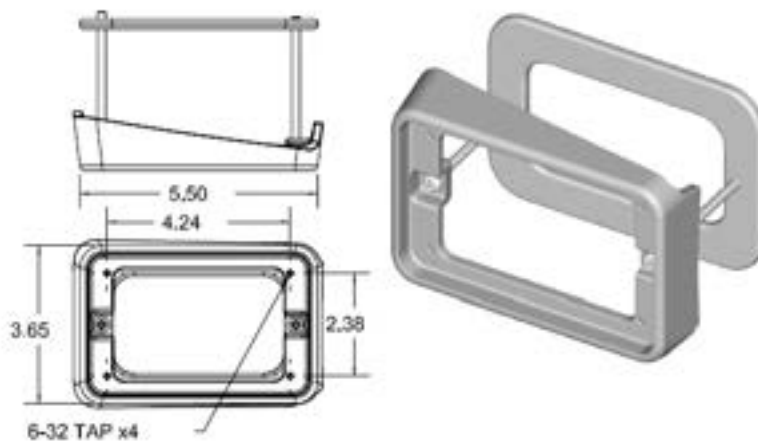
LH35202



LH35202 Light Housing (3" x 5" Light)

- 1) Finish: All exterior surfaces are bright polished.
- 2) Angle: 0°
- 3) For use with a 3" x 5" linear strobe light.

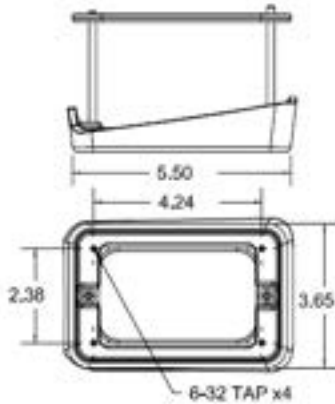
LH35603



LH35603 Grille Mount Lt Hsg - 3" x 5" LED

- 1) Finish: All exterior surfaces are bright polished
- 2) For use with a 3" x 5" LED light.
- 3) Passenger side Grille Mount Lt Hsg - 2005-06 2005 Ford F350 SD

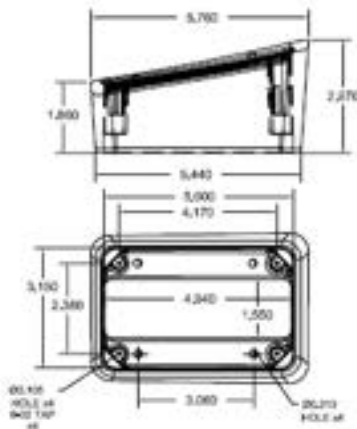
LH35604



LH35604 Grille Mount Lt Hsg - 3" x 5" LED

- 1) Finish: All exterior surfaces are bright polished
- 2) For use with a 3" x 5" LED light.
- 3) Driver side Grille Mount Lt Hsg - 2005-06 2005 Ford F350 SD

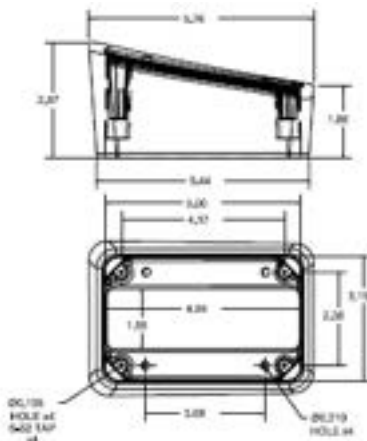
LH35703



LH35703 Intersection Lt Hsg 20d. 3" x 4" Light - Linear Strobe

- 1) Finish: All exterior surfaces are bright polished
- 2) For use with a 3" x 5" linear strobe light.
- 3) Passenger side 2002-05 Freightliner M2
- 4) Angle: 20°

LH35704



LH35704 Intersection Lt Hsg 20d. 3" x 4" Light - Linear Strobe

- 1) Finish: All exterior surfaces are bright polished
- 2) For use with a 3" x 5" linear strobe light.
- 3) Driver side 2002-05 Freightliner M2
- 4) Angle: 20°

LH35709 LH35710

LH35709 and LH35710 Intersection Housings for 2008 Ford F350 series SD

- 1) Finish: polished exterior.
- 2) LH35709 Driver Side. LH35710 Passenger Side (shown).
- 3) For 3" X 5" Lights.

3" x 7" Light Housings

LH37008

LH37008

Step / Light Housing (3" x 7" Light)

- 1) Finish: All exterior surfaces are bright polished.
- 2) Angle: 0°
- 3) Total surface mount. No clearance hole in the body required.

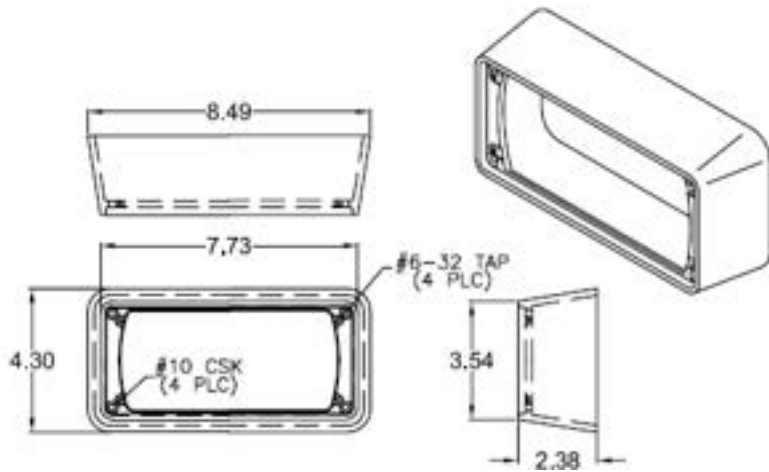
LH37101

LH37101

Light Housing (3" x 7" Light)

- 1) Finish: All exterior surfaces are bright polished.
- 2) Angle: 0°
- 3) Tomar Halogen Light requires two 1 3/8" holes drilled in the body.

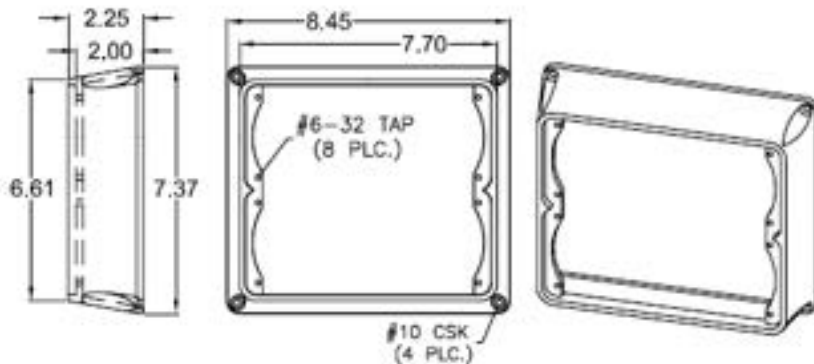
LH37102



LH37102 Light Housing (3" x 7" Light)

- 1) Finish: All exterior surfaces are bright polished.
- 2) Angle: 0°
- 3) Tomar Halogen Light requires two 1 3/8" holes drilled in the body.

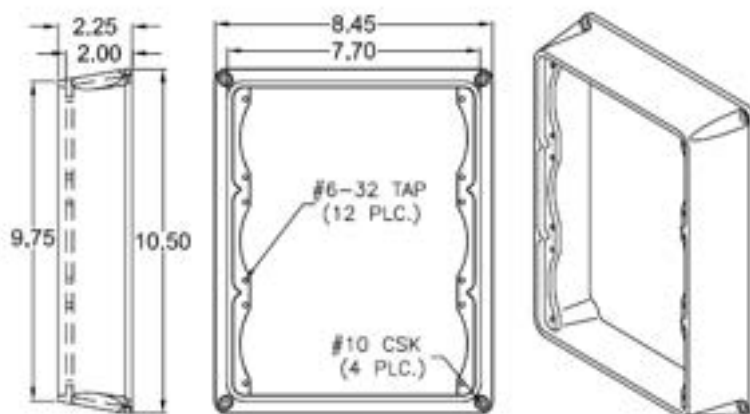
LH37104



LH37104 Double Light Housing (3" x 7" Light)

- 1) Finish: All exterior surfaces are bright polished.
- 2) Angle: 0°
- 3) Total surface mount. No clearance hole in the body required.

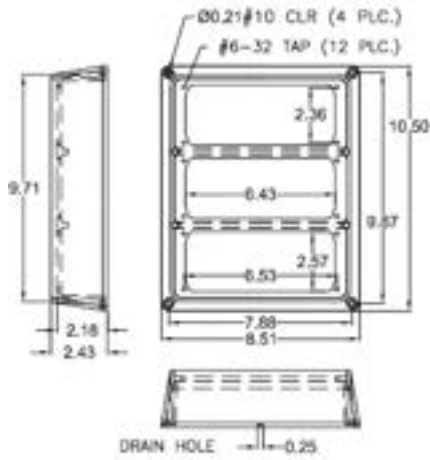
LH37105



LH37105 Triple Light Housing (3" x 7" Light)

- 1) Finish: All exterior surfaces are bright polished.
- 2) Angle: 0°
- 3) Total surface mount. No clearance hole in the body required.

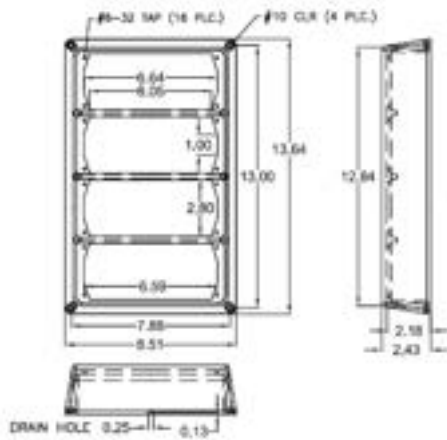
LH37106



LH37106 Triple Light Housing (Weldon 3" x 7" Light)

- 1) Finish: All exterior surfaces are bright polished.
- 2) Angle: 0°
- 3) Total surface mount. No clearance hole in the body required.
- 4) Will function only with the Weldon 3" x 7" Light.

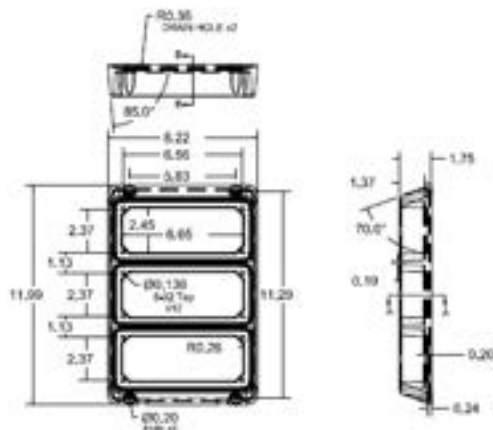
LH37107



LH37107 Quad Light Housing (Weldon 3" x 7" Light)

- 1) Finish: All exterior surfaces are bright polished.
- 2) Angle: 0°
- 3) Total surface mount. No clearance hole in the body required.
- 4) Will function only with the Weldon 3" x 7" Light.

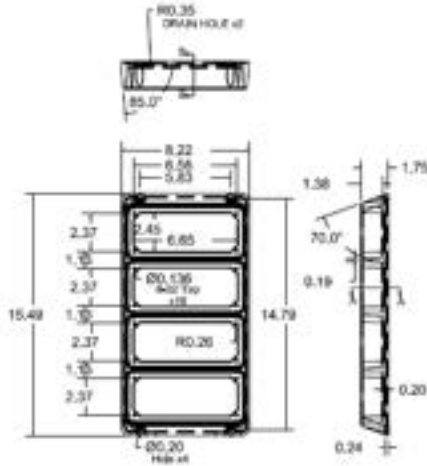
LH37108



LH37108 Triple Light Housing (Code 3 3" x 7" LED Light)

- 1) Finish: All exterior surfaces are bright polished.
- 2) Angle: 0°
- 3) Total surface mount. No clearance hole in the body required.
- 4) Will function only with the Code 3 - 3" x 7" LED Light

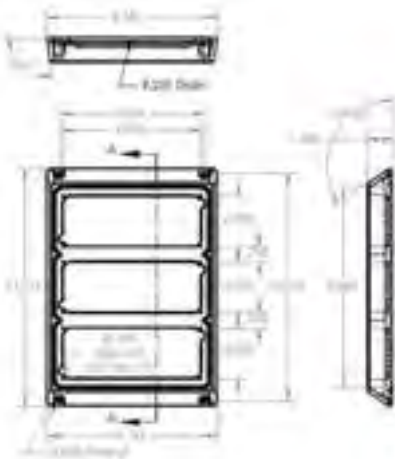
LH37109



LH37109 Triple Light Housing (Code 3 3" x 7" LED Light)

- 1) Finish: All exterior surfaces are bright polished.
- 2) Angle: 0°
- 3) Total surface mount. No clearance hole in the body required.
- 4) Will function only with the Code 3 - 3" x 7" LED Light

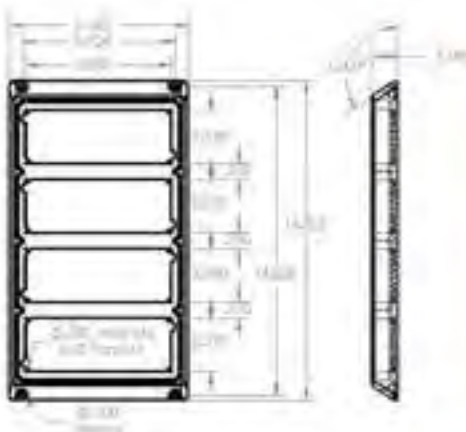
LH37110



LH37110 Triple Light Housing - 0d. - for 3" x 7" LED Lights

- 1) Finish: polished exterior
- 2) For Whelen 3" x 7" LED Lights only.
- 3) Uses RG0061 Gasket (optional).

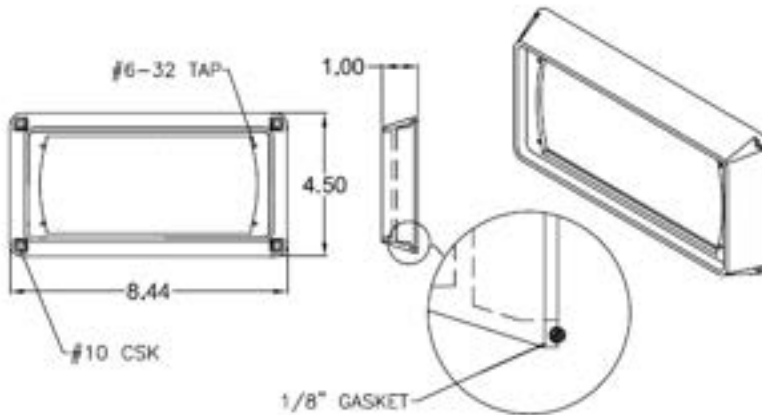
LH37111



LH37111 Quad Light Housing - 0d. - for 3" x 7" LED Lights

- 1) Finish: polished exterior
- 2) For Whelen 3" x 7" LED Lights only.
- 3) Uses RG0062 Gasket (optional).

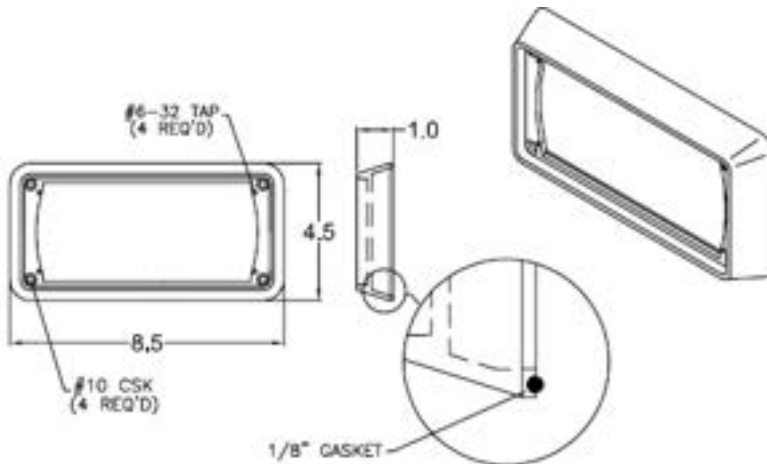
LH37201



LH37201 Light Housing (3" x 7" Light)

- 1) Finish: All exterior surfaces are bright polished or 120 grit ground.
- 2) Angle: 0°
- 3) Clearance hole for reflector required in the body.
- 4) 1/8" cord gasket to seal housing to the body (optional: customer please specify).

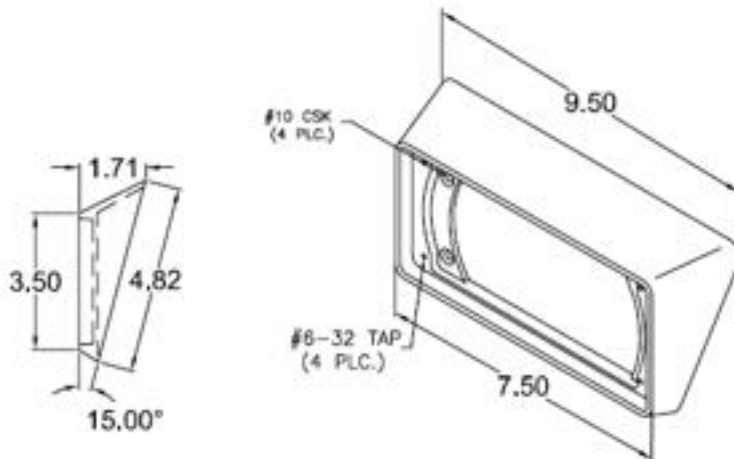
LH37202



LH37202 Light Housing (3" x 7" Light)

- 1) Finish: All exterior surfaces are bright polished or 120 grit ground.
- 2) Angle: 0°
- 3) Clearance hole for reflector required in the body.
- 4) Concealed mounting hardware.

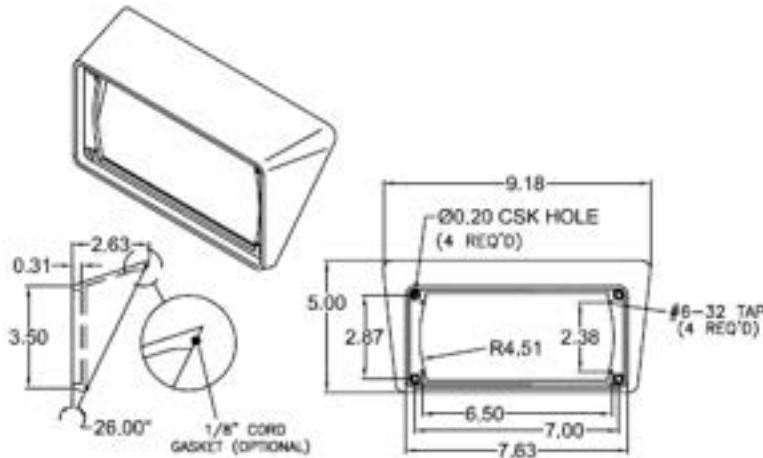
LH37203



LH37203 Light Housing (3" x 7" Light)

- 1) Finish: All exterior surfaces are bright polished or 120 grit ground.
- 2) Angle: 15°
- 3) Clearance hole for reflector required in the body.
- 4) Concealed mounting hardware.

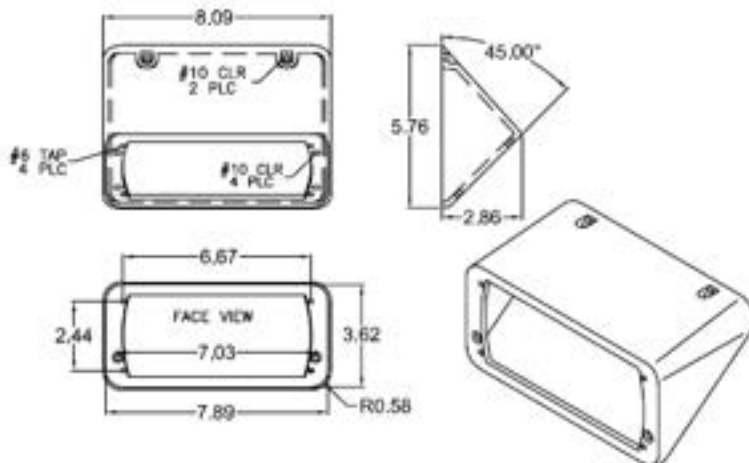
LH37205



LH37205 Light Housing (3" x 7" Light)

- 1) Finish: All exterior surfaces are bright polished or 120 grit ground.
- 2) Angle: 26°
- 3) Clearance hole for reflector required in the body.
- 4) 1/8" cord gasket to seal housing to the body (optional; customer please specify).

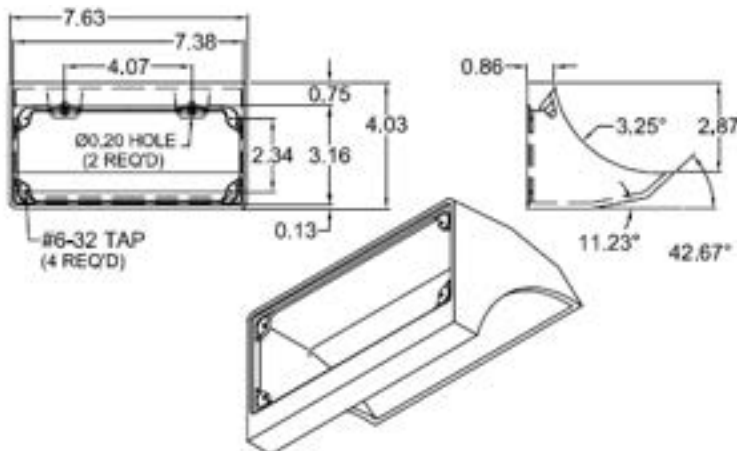
LH37206



LH37206 Light Housing (3" x 7" Light)

- 1) Finish: All exterior surfaces are bright polished or 120 grit ground.
- 2) Angle: 45°
- 3) Clearance hole for reflector required in the body.

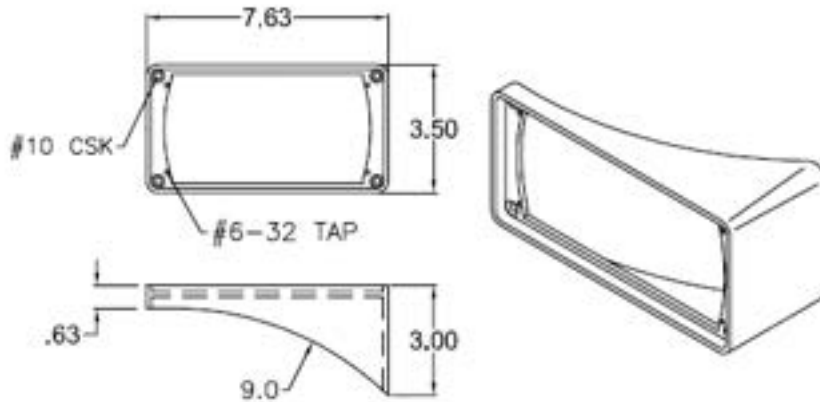
LH37208



LH37208 Roof Rail Mount Light Housing (3" x 7" Light)

- 1) Finish: All exterior surfaces are bright polished.
- 2) Designed to fit the approximate 3.25" radius used on some firetrucks.

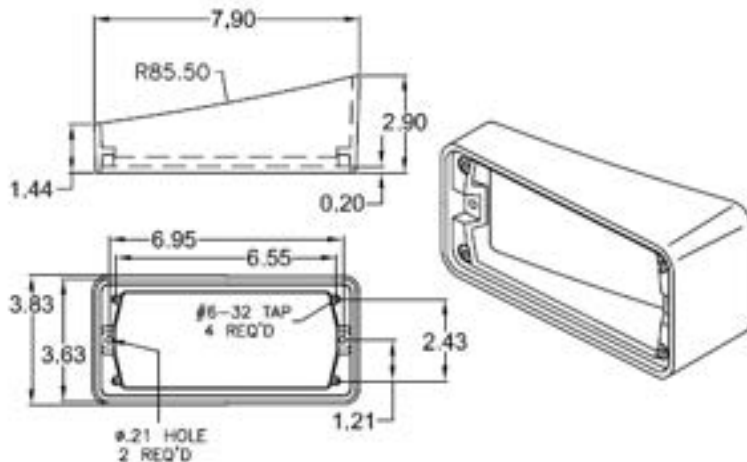
LH37209



LH37209 Light Housing (3" x 7" Light)

- 1) Finish: All exterior surfaces are bright polished.
- 2) Designed to fit the approximate 9" radius used on some firetrucks.

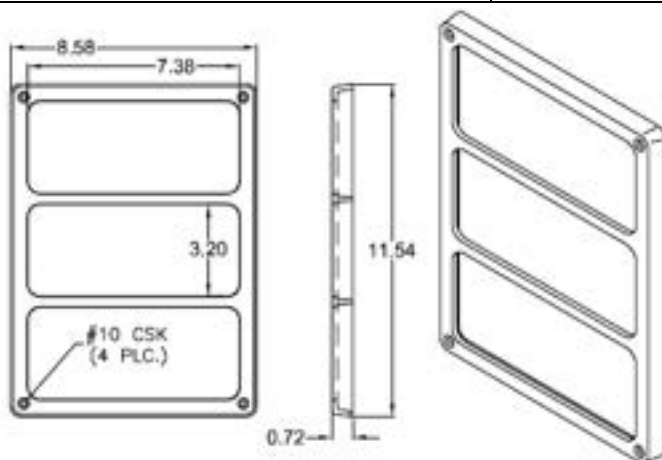
LH37210



LH37210 Light Housing (3" x 7" Light)

- 1) Finish: All exterior surfaces are bright polished.
- 2) Designed to fit the 85.50" radius used on some firetrucks.

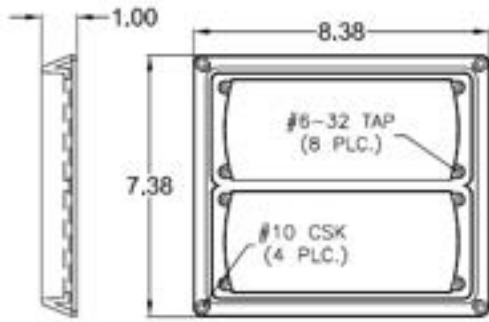
LH37213



LH37213 Triple Light Housing (3" x 7" Light)

- 1) Finish: All exterior surfaces are bright polished.
- 2) Angle: 0°

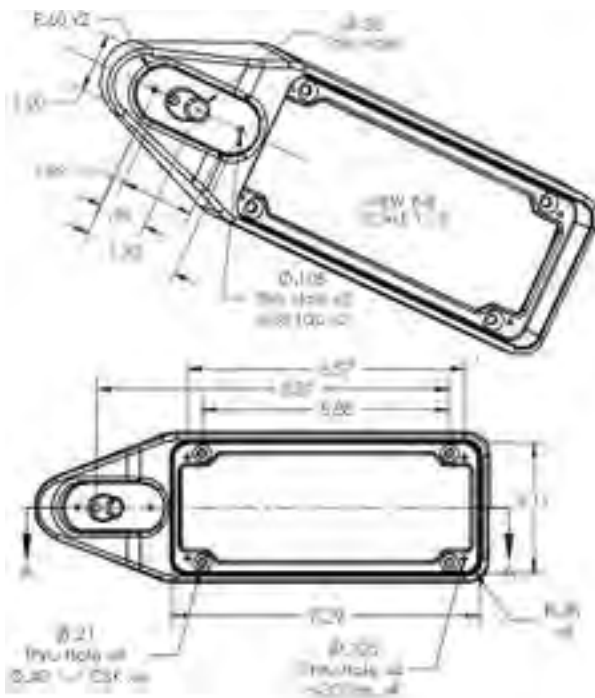
LH37214



LH37214 Double Light Housing (3" x 7" Light)

- 1) Finish: All exterior surfaces are bright polished.
- 2) Angle: 0°

LH37225 LH37226



LH37225 & LH37226 Front 3x7 LED & Marker Light Housings (2008 Dodge Sprinter)

- 1) Finish: Polished
- 2) For Whelen 3x7 LED
- 3) LH37225 Driver Side Shown
- 4) LH37226 Passenger Side is opposite
- 4) For '08 Dodge Sprinter - side scene lights and standard LED marker light.

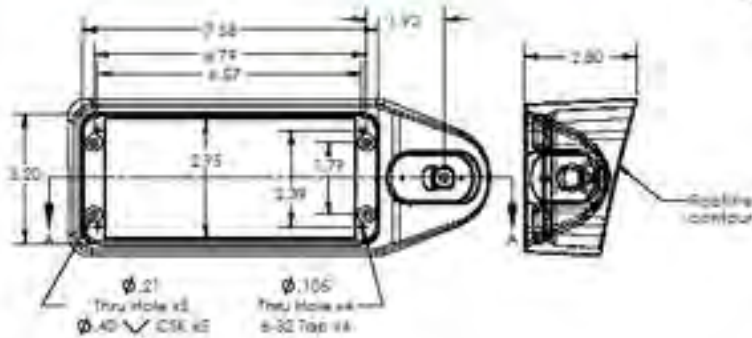


LH37231 LH37232



LH37231-1 & LH37232-1 Rear 3x7 LED (700 Scene) & Marker Lt Housings ('08 -'09 Dodge Sprinter)

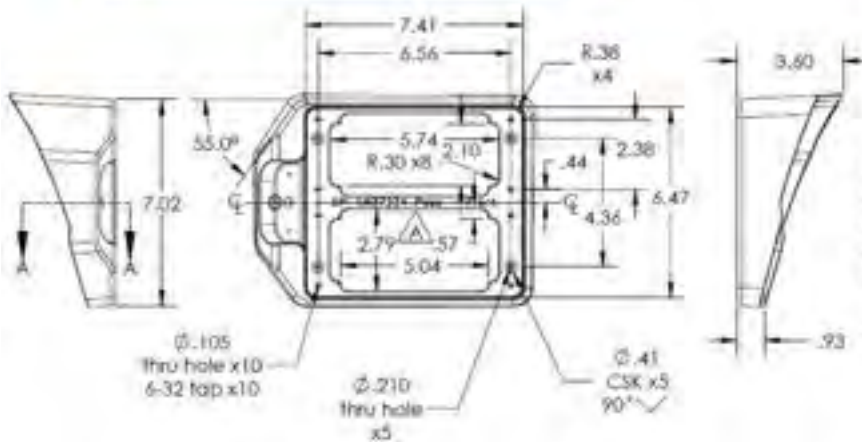
- 1) Finish: Polished Exterior
- 2) For Whelen 3x7 700 Scene LED only (no cutting roof for clearance hole)
- 3) LH37229-1 Rear-Driver side (shown)
LH37230-1 Rear-Passenger side is opposite
- 4) For '08 - '09 Dodge Sprinter - side scene lights & 700 series Scene LED marker light.



LH37233 LH37234



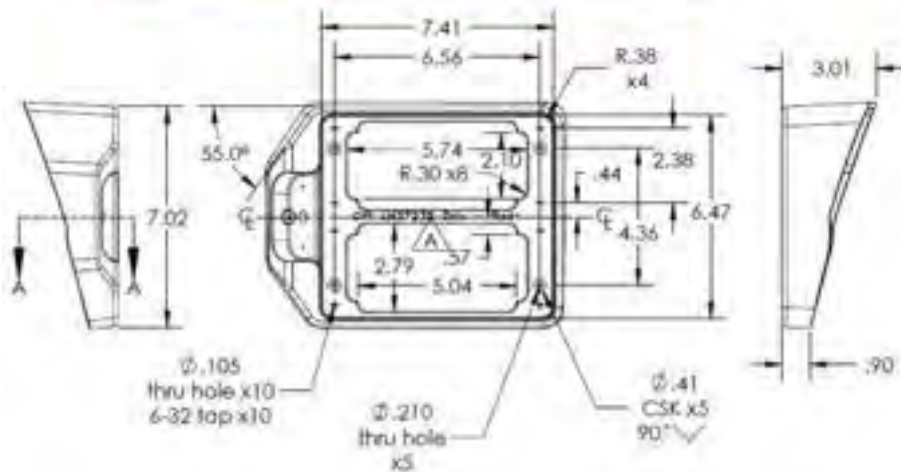
LH37233-1 & LH37234-1
Front, Dual 3x7 Weldon Diamondback
LED Lts & Single Marker Light Housing
(2008-11 Dodge Sprinter)



- 1) Finish: Polished Exterior
- 2) For 3x7 Weldon Diamondback LED Lts & Single Marker Light (no cuttingroof for clearance hole)
- 3) LH37233-1 Front-Driver side (opposite)
LH37234-1 Front-Passenger side (shown).
- 4) For '08 - '11 Dodge Sprinter.

LH37235 LH37236

LH37235-1 & LH37236-1
Rear, Dual 3x7 Weldon Diamondback
LED Lts & Single Marker Light Housing
(2008-11 Dodge Sprinter)



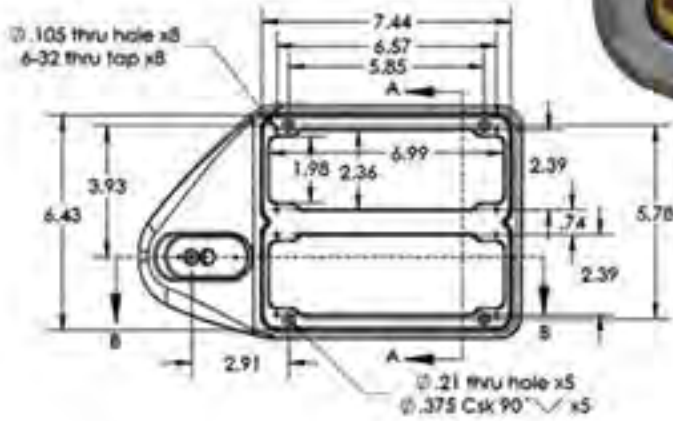
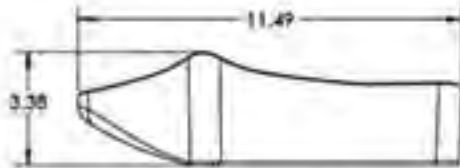
- 1) Finish: Polished Exterior
- 2) For 3x7 Weldon Diamondback LED Lts & Single Marker Light (no cuttingroof for clearance hole)
- 3) LH37235-1 Rear-Driver side (shown)
LH37236-1 Rear-Passenger side (opposite)
- 4) For '08 - '11 Dodge Sprinter.

LH37237 LH37238

1. Finish: polished exterior surfaces.
2. For **Medium Roof** only, 2015 Ford Transit Cargo Van.
3. Combination 3x7 3x7 & Marker Light Light Housings: Front Driver and Passenger.

LH37237-1 & LH37238-1 Driver/Passenger - Front/Side, Dual 3x7 Weldon LED Lts & Single Marker Light Housing (2015 Ford Transit Cargo Van - Medium Roof)

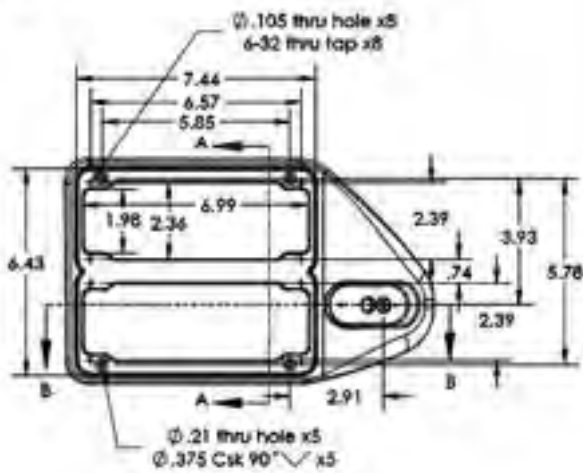
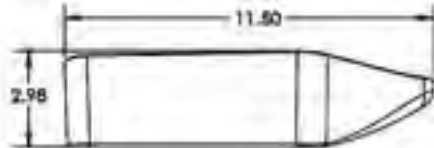
LH37237-1	Driver - Front on Medium Roof (shown)
LH37238-1	Passenger - Front on Medium Roof



LH37239 LH37240

1. Finish: polished exterior surfaces.
2. For **Medium Roof** only, 2015 Ford Transit Cargo Van.
3. Combination 3x7 3x7 & Marker Light Housings: Rear Driver and Passenger.

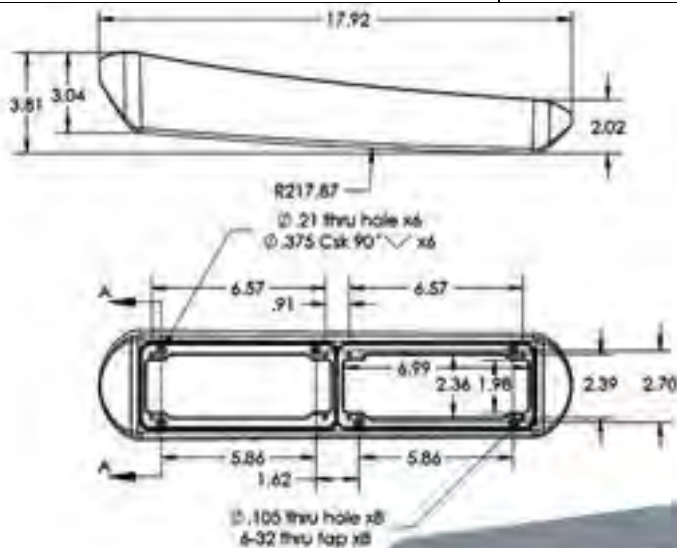
LH37239-1	Driver - Rear on Medium Roof (shown)
LH37240-1	Passenger - Rear on Medium Roof



LH37239-1 & LH37240-1 Driver/Passenger - Rear/Side, Dual 3x7 Weldon LED Lts & Single Marker Light Housing (2015 Ford Transit Cargo Van - Medium Roof)



LH37241 LH37242



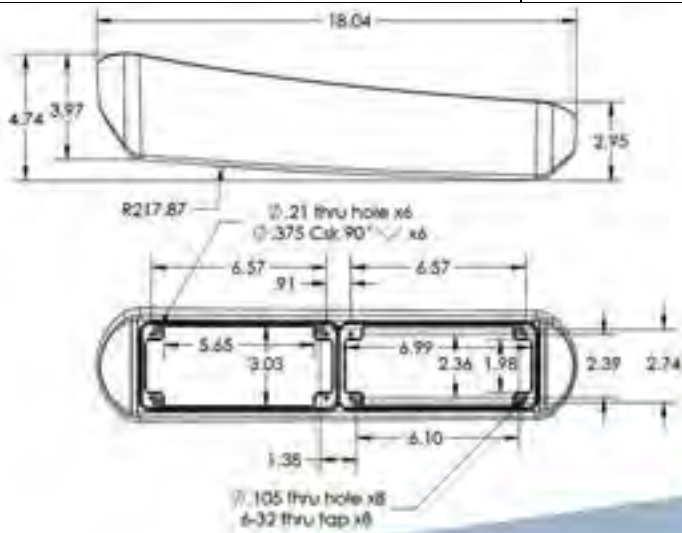
LH37241-1 & LH37242-1
Driver/Passenger - Rear, Dual 3x7 LED
Lights (2015 Ford Transit Cargo Van -
Medium Roof)



LH37241-1	Driver - Rear, Dual 3x7 LED Lights (Medium Roof) shown.
LH37242-1	Passenger - Rear, Dual 3x7 LED Lights (Medium Roof)

1. Finish: exterior is polished.
2. For mounting Dual 3x7 Lights on rear doors of 2015 Ford Transit Cargo Van - **Medium Roof**.

LH37243 LH37244



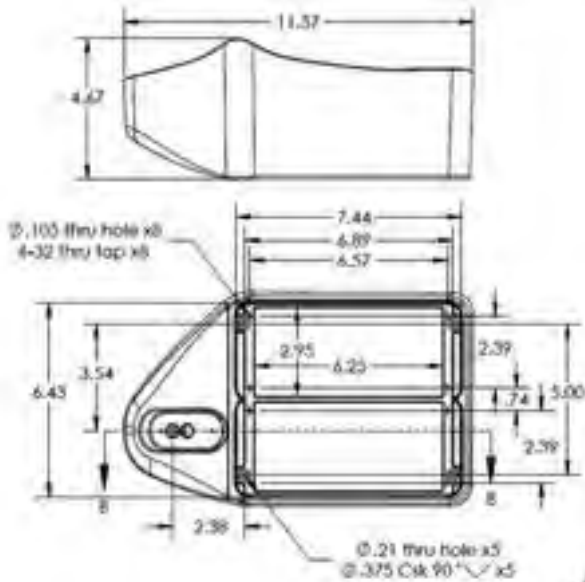
**LH37243-1 & LH37244-1
Driver/Passenger - Rear, Dual 3x7 700
Series Scene Lights (2015 Ford Transit
Cargo Van - Medium Roof)**



LH37243-1	Driver - Rear, Dual 3x7 700 Series Scene Lights (Medium Roof) shown.
LH37244-1	Passenger - Rear, Dual 700 Series Scene LED Lights (Medium Roof)

1. Finish: exterior is polished.
2. For mounting Dual or Single 3x7 700 Series Scene Lights on rear doors of 2015 Ford Transit Cargo Van - **Medium Roof**.

LH37245 LH37246



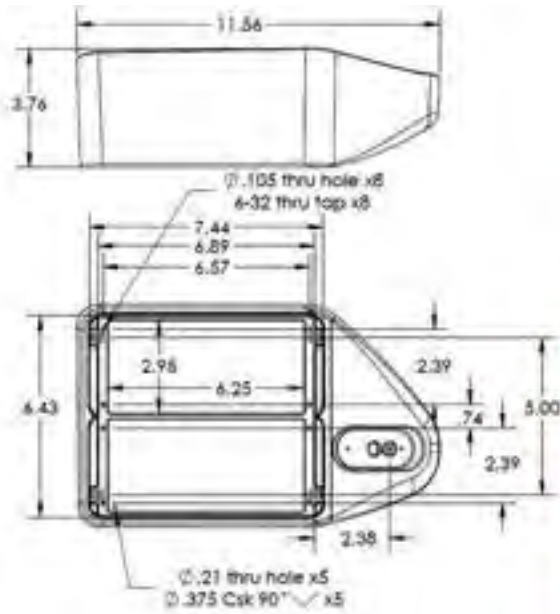
LH37245-1 & LH37246-1
Driver/Passenger - Front/Side, Dual 3x7
700 Series Scene Lts & Single Marker
Light Housing (2015 Ford Transit Cargo
Van - Medium Roof)



1. Finish: polished exterior surfaces.
2. For **Medium Roof** only, 2015 Ford Transit Cargo Van.
3. Combination 3x7 3x7 & Marker Light Housings: Front Driver and Passenger, for **700 Series Scene** LED Lights.

LH37245-1	Driver - Front on Medium Roof (shown)
LH37246-1	Passenger - Front on Medium Roof

LH37247 LH37248



LH37247-1 & LH37248-1
Driver/Passenger - Rear/Side, Dual 3x7
700 Series Scene Lts & Single Marker
Light Housing (2015 Ford Transit Cargo
Van - Medium Roof)



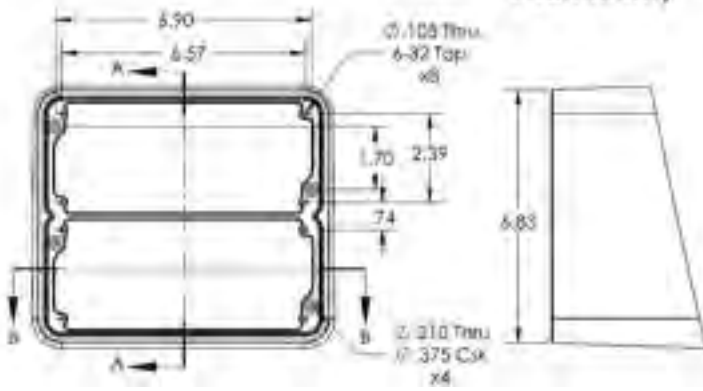
1. Finish: polished exterior surfaces.
2. For **Medium Roof** only, 2015 Ford Transit Cargo Van.
3. Combination 3x7 3x7 & Marker Light Housings: Rear Driver and Passenger, for **700 Series Scene** LED Lights.

LH37247-1	Driver - Rear on Medium Roof (shown)
LH37248-1	Passenger - Rear on Medium Roof

LH37251



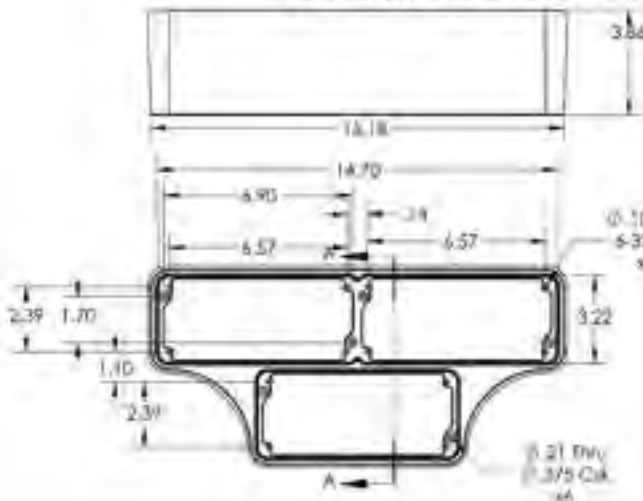
LH37251
Driver/Passenger - Side/Rear, Duel 3x7 Light Housing (2015 Dodge Promaster)



1. Finish: (-1) Polished exterior.
2. Duel 3x7 light housing, side/rear mount on Driver or Passenger side (2015 Dodge Promaster)

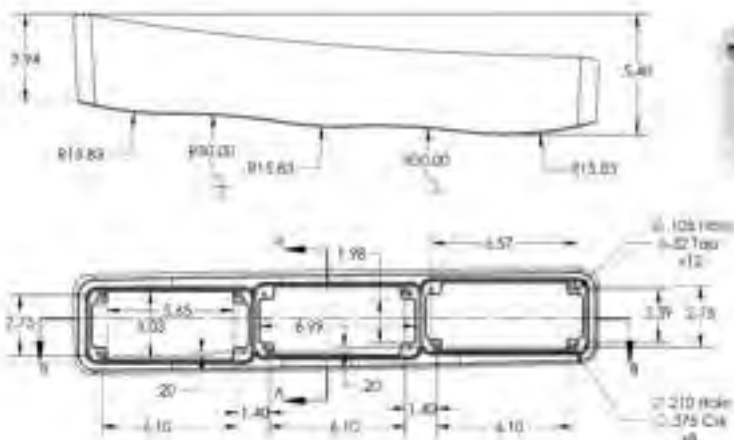
LH37252

LH37252
Driver/Passenger - Rear, Triple 3x7 Light Housing (2015 Dodge Promaster)



1. Finish: (-1) Polished exterior.
2. Triple 3x7 light housing for Driver or Passenger rear doors (2015 Dodge Promaster)

LH37253 LH37254



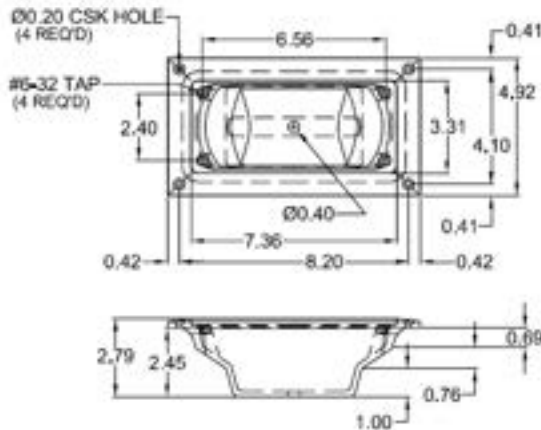
LH37253 LH37254

Rear, Triple 3x7 700 Series Scene Lights
(2015 Ford Transit - Medium Roof)



1) Finish: (-1) Polished exterior.

LH37301



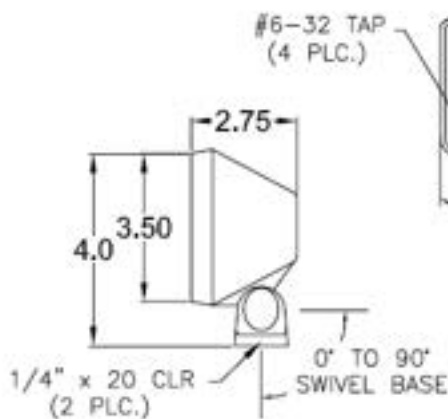
LH37301

Recessed Light Housing (3" x 7" Light)



1) Finish: All exterior surfaces are bright polished.
2) Angle: 0°
3) Designed for the Tomar Halogen Light utilizing an enclosed back casting.

LH37501



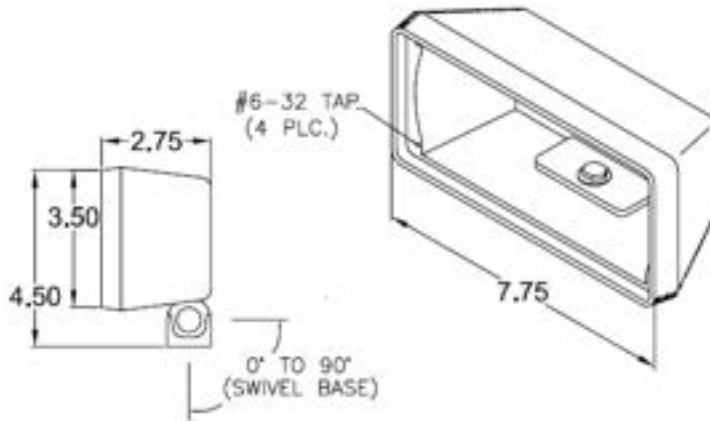
LH37501

Bumper Mount Light Housing (3" x 7" Light)



1) Finish: All exterior surfaces are bright polished or 120 grit ground.
2) Mounting Angle: between 0° and 90°.

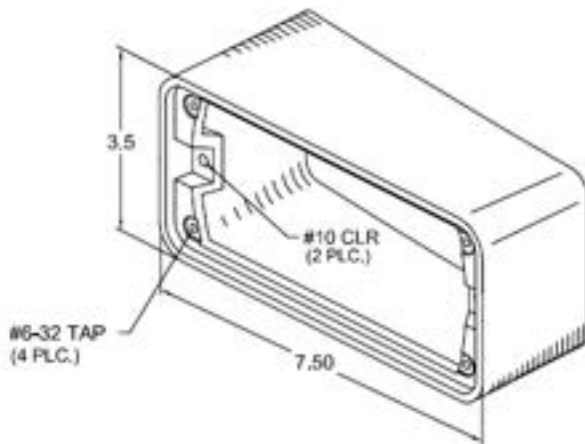
LH37502



LH37502 Bumper Mount Light Housing (3" x 7" Light)

- 1) Finish: All exterior surfaces are bright polished or 120 grit ground.
- 2) Mounting Angle: between 0° and 90°.
- 3) Fits the Whelen 73 Series Light.

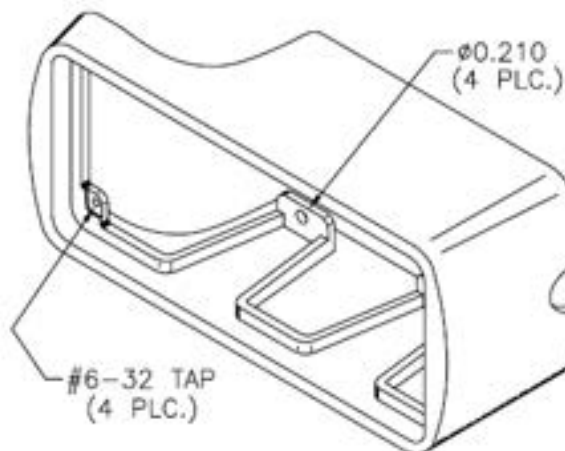
LH37607



LH37607 Grille Mount Light Housing (3" x 7" Light)

- 1) Finish: All exterior surfaces are bright polished.
- 2) Parts mount to the face of the grille without cutting, drilling, or damaging the grille.
- 3) Mounts with an included backplate, from the backside of the grille.
- 4) For the 1994 & up Dodge D350 Truck Cab.

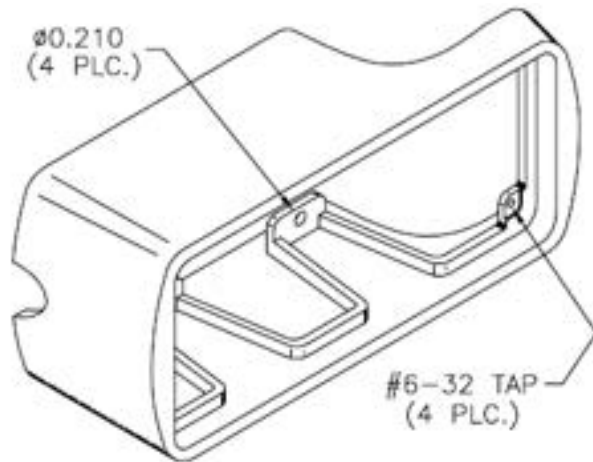
LH37611



LH37611 Grille Mount Light Housing (3" x 7" Light)

- 1) Finish: All exterior surfaces are bright polished.
- 2) Angle: 0°
- 3) Mounts in the outboard openings of the grille on the 1997 Ford vans (Passenger Side).
- 4) Mounting bracket not shown.

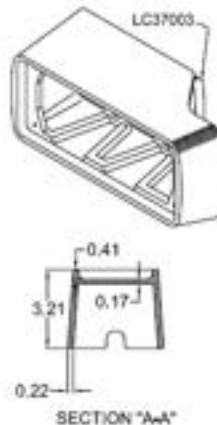
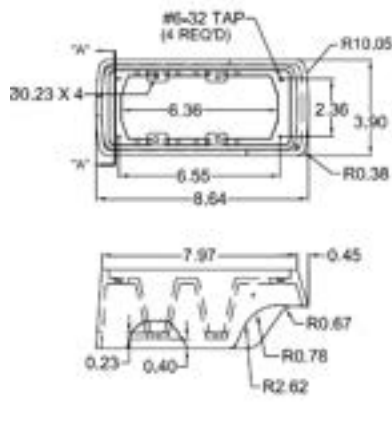
LH37612



LH37612 Grille Mount Light Housing (3" x 7" Light)

- 1) Finish: All exterior surfaces are bright polished.
- 2) Angle: 0°
- 3) Mounts in the outboard openings of the grille on the 1997 Ford vans (Driver Side).
- 4) Mounting bracket not shown.

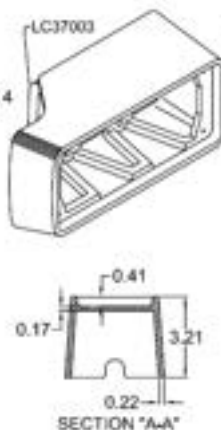
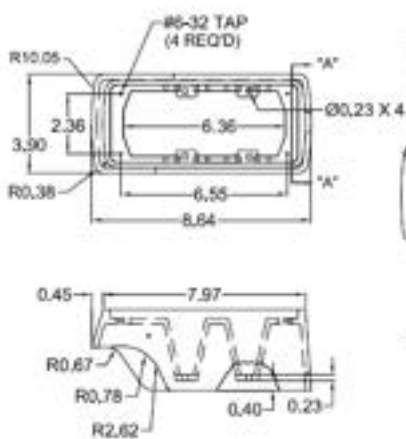
LH37620



LH37620 Grille Mount Light Housing (3" x 7" Light)

- 1) Finish: All exterior surfaces are bright polished.
- 2) Angle: 0°
- 3) Mounts in the grille on the 1999 Ford E350 Van (Passenger Side).

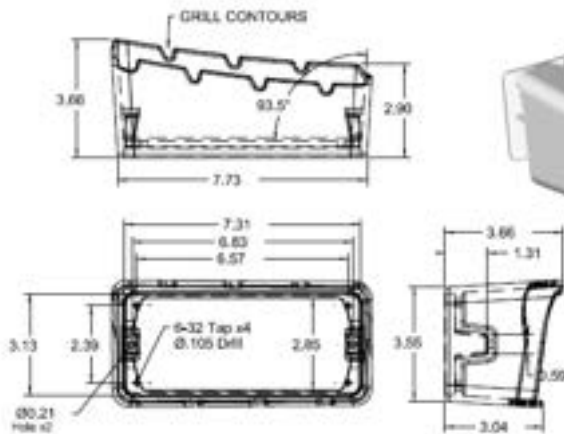
LH37621



LH37621 Grille Mount Light Housing (3" x 7" Light)

- 1) Finish: All exterior surfaces are bright polished.
- 2) Angle: 0°
- 3) Mounts in the grille on the 1999 Ford E350 Van (Driver Side).

LH37630

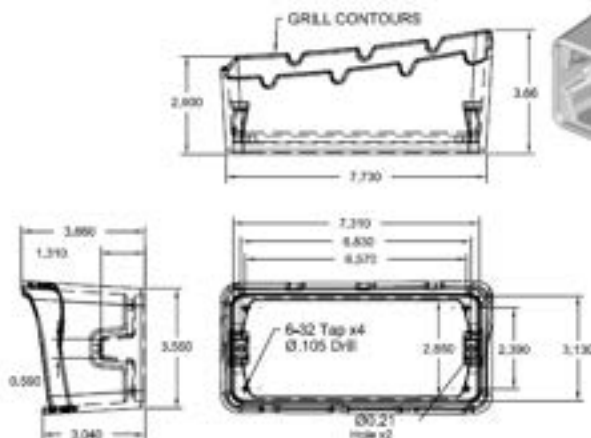


LH37630

**Passenger - 3" x 7"
Light - Grille Mnt Lt
Housing (2002
International 4300)**

- 1) Finish: polished.
- 2) Designed for use with a 3" x 7" Light on the 2002-05 International 4300 4400.

LH37631

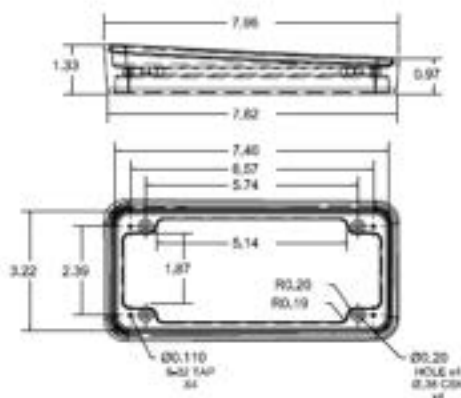


LH37631

**Driver - 3" x 7"
Light - Grille Mnt Lt
Housing (2002
International 4300)**

- 1) Finish: polished.
- 2) Designed for use with a 3" x 7" Light on the 2002-05 International 4300 4400.

LH37632

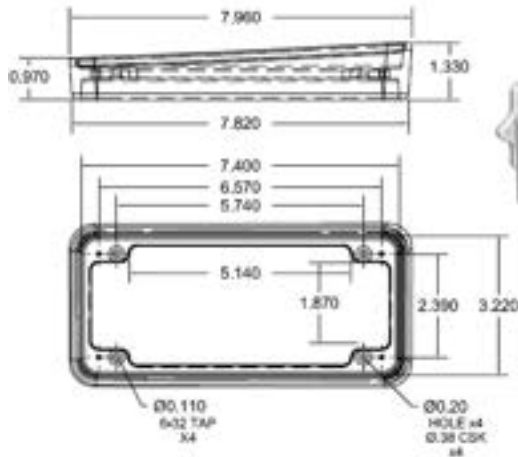


LH37632

**Grille Mount Lt Hsg
- 3" x 7" LED - 2003
Chevy C4500 (Fixed
Grille) - Pass**

- 1) Finish: polished.
- 2) Designed for use with a 3" x 7" Light on the 2003-05 Chevy C4500 (Fixed Grille).

LH37633

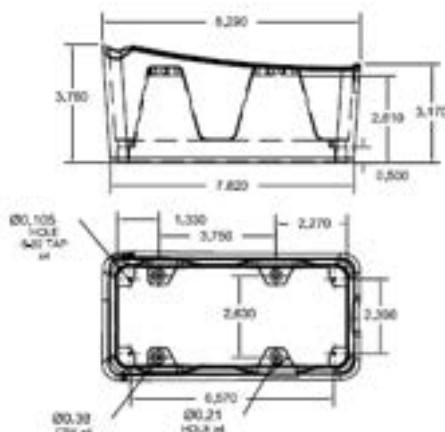


LH37633

**Grille Mount Lt Hsg
- 3" x 7" LED - 2003
Chevy C4500 (Fixed
Grille) - Driver**

- 1) Finish: polished.
- 2) Designed for use with a 3" x 7" Light on the 2003-05 Chevy C4500 (Fixed Grille).

LH37638

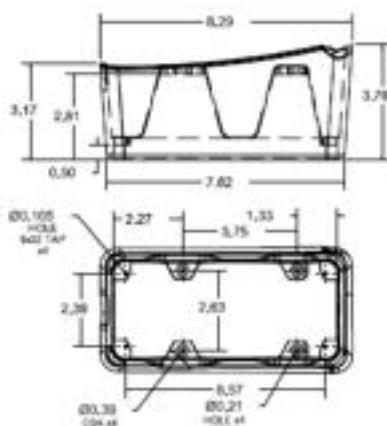


LH37638

**Grille Mount Lt Hsg - 3" x 7"
2003 Ford E350, E450, E550
Van - Pass**

- 1) Finish: polished.
- 2) Designed for use as a Grille Mount Lt Hsg - 3" x 7" - 2003 Ford E350, E450, E550 Van.

LH37639

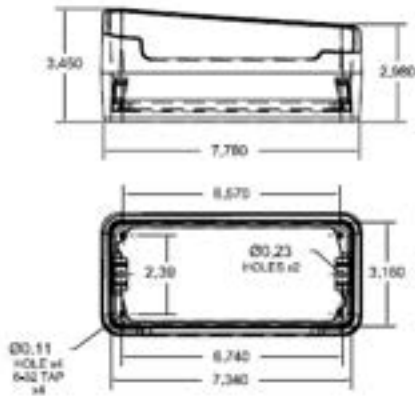


LH37639

**Grille Mount Lt Hsg - 3" x 7"
2003 Ford E350, E450, E550
Van - Driver**

- 1) Finish: polished.
- 2) Designed for use as a Grille Mount Lt Hsg - 3" x 7" - 2003 Ford E350, E450, E550 Van.

LH37640

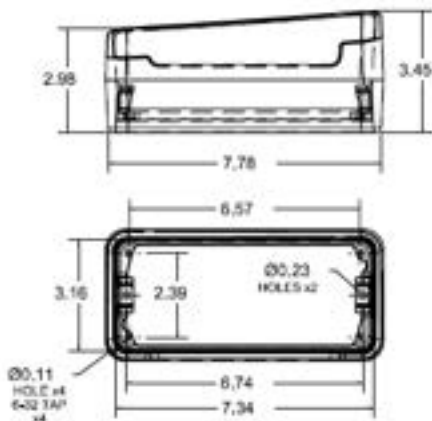


LH37640

**Grille Mount Lt Hsg - 3" x 7" -
2003 Chevy G3500 Van - Pass
(2004 C3500)**

- 1) Finish: polished.
- 2) Designed for use as a Grille Mount Lt Hsg - 3" x 7" - 2003 Chevy G3500 Van - Pass (2004 C3500)

LH37641

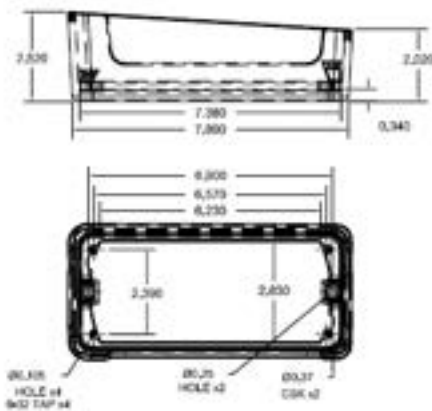


LH37641

**Grille Mount Lt Hsg - 3" x 7" -
2003 Chevy G3500 Van - Driv
(2004 C3500)**

- 1) Finish: polished.
- 2) Designed for use as a Grille Mount Lt Hsg - 3" x 7" - 2003 Chevy G3500 Van - Driv (2004 C3500)

LH37642

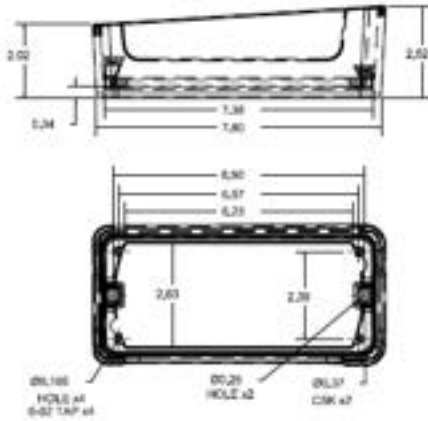


LH37642

**Grille Mount Lt Hsg - 3" x 7" -
2003-05 Freightliner M2 - Pass**

- 1) Finish: polished.
- 2) Designed for use as a Grille Mount Lt Hsg - 3" x 7" - 2003-05 Freightliner M2 - Pass

LH37643

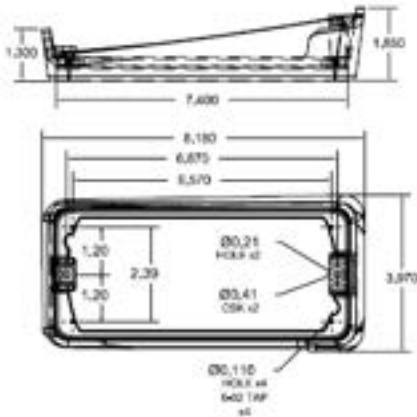


LH37643

**Grille Mount Lt Hsg - 3" x 7" -
200305 Freightliner M2 - Driv**

- 1) Finish: polished.
- 2) Designed for use as a Grille Mount Lt Hsg - 3" x 7" - 200305 Freightliner M2 - Driv

LH37646

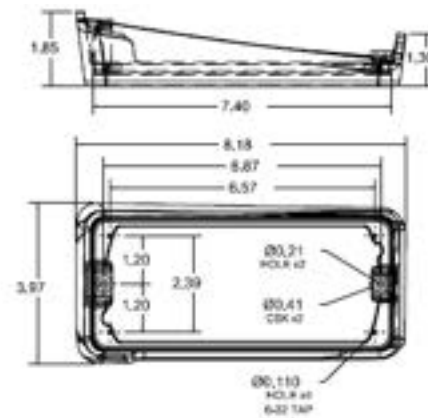


LH37646

**Driver side, 3" x 7" 2005
Ford F350 SD (F Series)
Grille Mount Hsg**

- 1) Finish: polished.
- 2) Designed for use as a Driver side, 3" x 7" 2005 Ford F350 SD (F Series) Grille Mount Hsg

LH37647

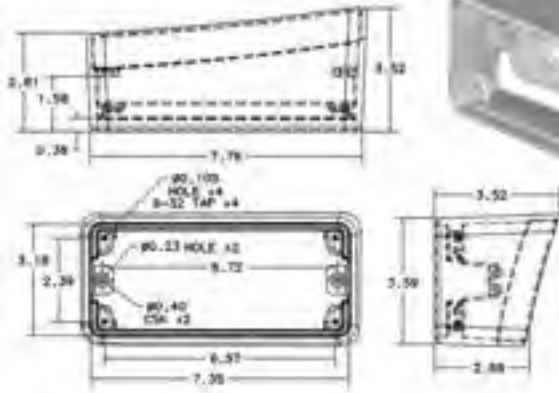


LH37647

**Passenger side, 3" x 7" 2005
Ford F350 SD (F Series)
Grille Mount Hsg**

- 1) Finish: polished.
- 2) Designed for use as a Passenger side, 3" x 7" 2005 Ford F350 SD (F Series) Grille Mount Hsg

LH37650 LH37651

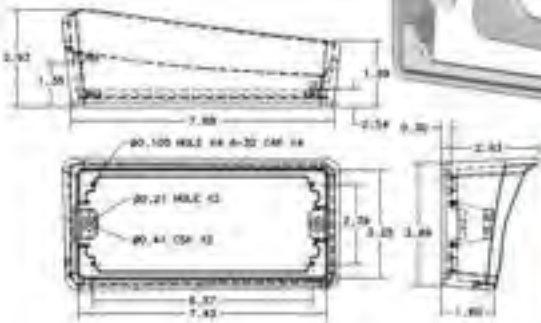


LH37650 and LH37651 Grille Mount Housings for 2006-07 Chevy G3500

- 1) Finish: polished exterior
- 2) LH37650 Driver Side
LH37651 Passenger Side
- 3) For 3" X 7" Lights.



LH37656 LH37657

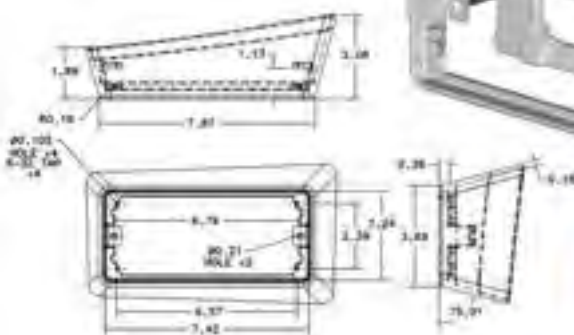


LH37656 and LH37657 Grille Mount Housings for 2007-08 Chevy C,K3500 HD

- 1) Finish: polished exterior
- 2) LH37656 Driver Side
LH37657 Passenger Side
- 3) For 3" X 7" Lights.



LH37658 LH37659

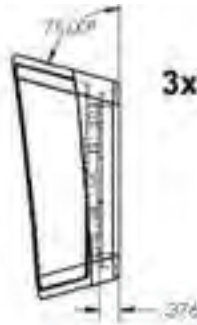
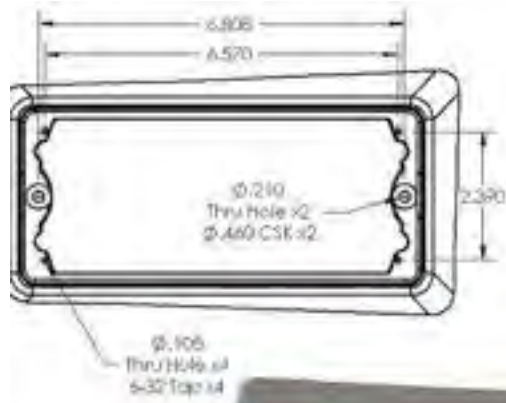


LH37658 and LH37659 Grille Mount Housings for 2007-08 International 4300

- 1) Finish: polished exterior
- 2) LH37658 Driver Side
LH37659 Passenger Side
- 3) For 3" X 7" Lights.



LH37662 LH37663

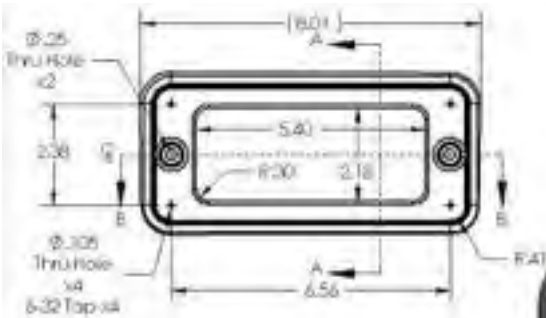


LH37662 & LH37663
3x7 LED 2008 International 4300 Grille Mount Housings

- 1) Finish: Polished
- 2) LH37662 Driver Side Shown
- 3) LH37663 Passenger Side is opposite



LH37664 LH37665

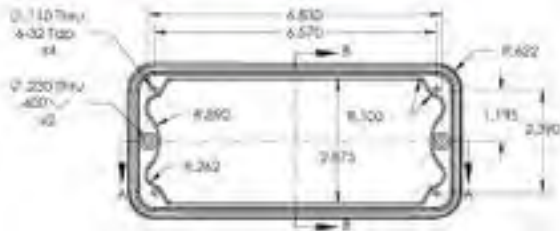


LH37664 & LH37665
Federal Signal 3x7 LED '08-'09 Chevy G3500 Grille Mount Housings

- 1) Finish: Polished
- 2) LH37665 Passenger Side Shown
- 3) LH37664 Driver Side is opposite



LH37666 LH37667



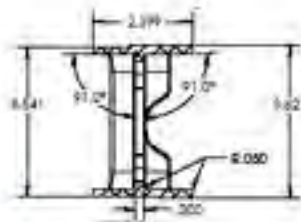
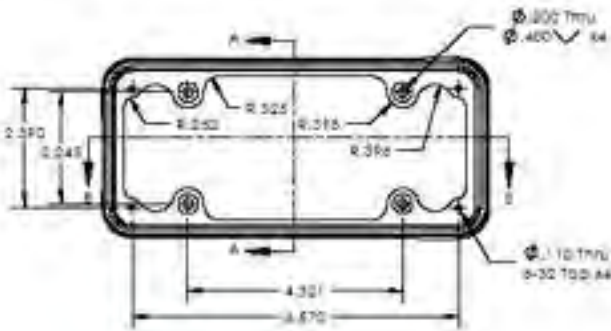
LH37666 & LH37667

Whelen 3x7 LED only -
'08-'09 Chevy G3500 Grille Mount Housings

- 1) Finish: Ball-burnished w/ Exterior Surface Polished
- 2) LH37667 Passenger Side Shown
- 3) LH37666 Driver Side is opposite



LH37668 LH37669



LH37668-1 & LH37669-1

Grille Mount Light Housing Assembly -
'04-'09 Dodge D3500 (Whelen 3x7 LED only)

- 1) Finish: Ball-burnished w/ Exterior Surfaces Polished
- 2) LH37668-1 Driver side (shown)
LH37669-1 Passenger side is opposite
- 3) Grille mount light housing for '04-'09 Dodge D3500 (Whelen 3x7 LED)

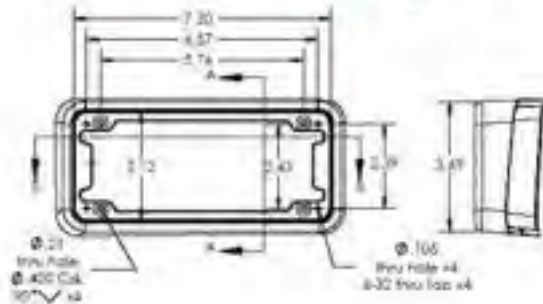


LH37670 LH37671



LH37670-1 & LH37671-1
Whelen 3x7 LED only - 2011 Ford F series
SD, Grille Mount Hsg Assembly

- 1) Finish: Ball-burnished w/ Exterior Surfaces Polished
- 2) LH37670-1 Passenger side (shown)
LH37671-1 driver side is opposite
- 3) Grille mount light housing for 2011 Ford F series SD (Whelen 3x7 LED only).

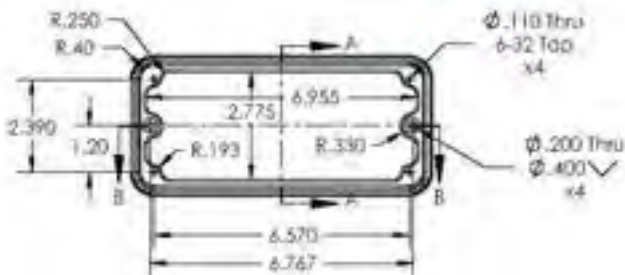


LH37672 LH37673



LH37672-1 & LH37673-1
Whelen 3x7 LED only - 2010 Dodge 3500
Truck Cab, Grille Mount Hsg Assembly

- 1) Finish: Ball-burnished w/ Exterior Surfaces Polished
- 2) LH37672-1 Passenger side (shown)
LH37673-1 driver side is opposite
- 3) Grille mount light housing for 2010 Dodge 3500 (Whelen 3x7 LED only).

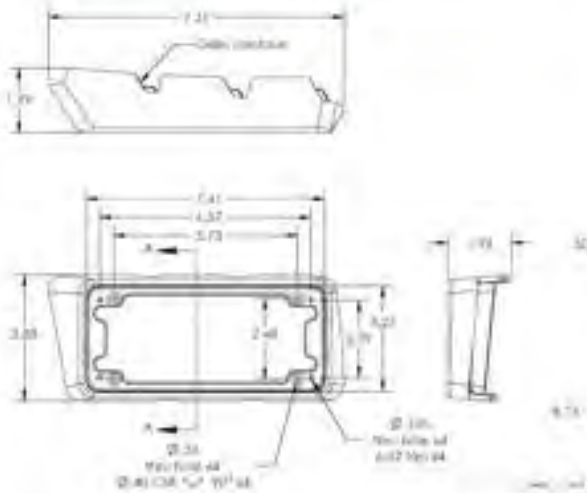


LH37674 LH37675

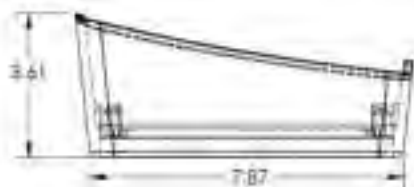


LH37674-1 LH37675-1
 Whelen 3x7 LED only -
 2011 International TerraStar
 Grille Mount Hsgs

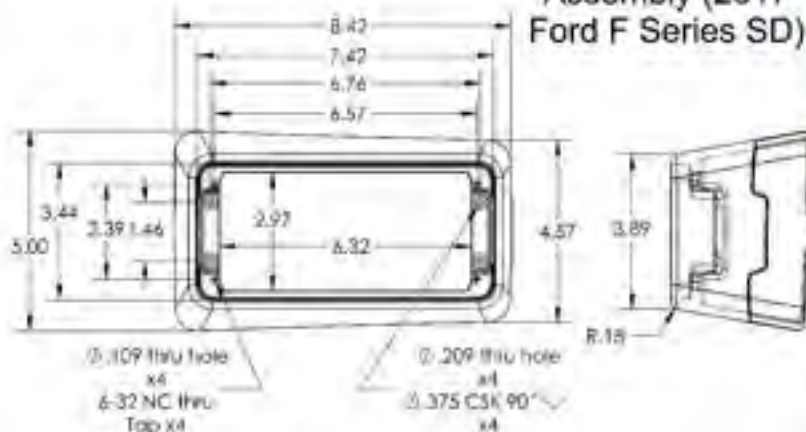
- 1) Finish; Polished exterior
- 2) For 3x7 LED only.
- 3) Grille mount 3x7 light housings for 2010 International TerraStar.



LH37676 LH37677

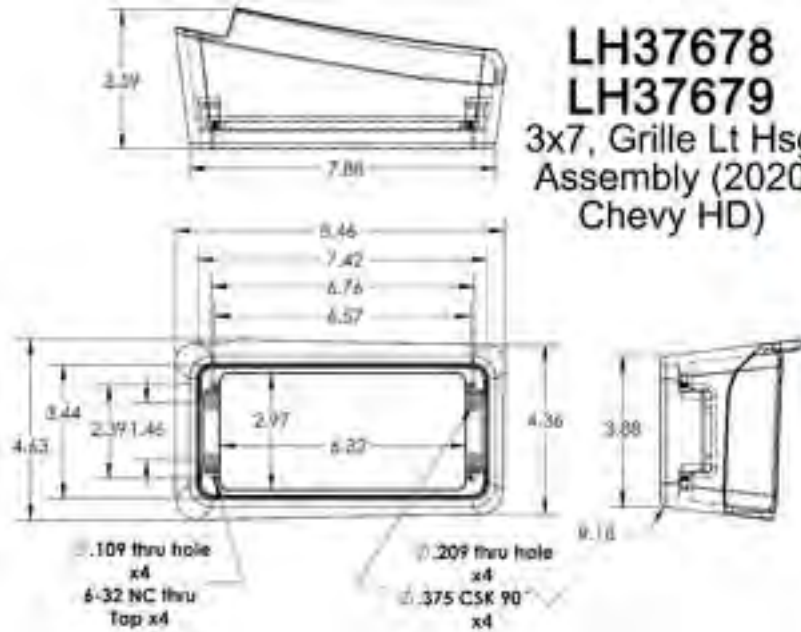


**LH37676
 LH37677**
 3x7, Grille Lt Hsg
 Assembly (2017
 Ford F Series SD)



- 1) Finish: exterior surfaces are polished.
- 2) For 3x7, Grille Lt Hsg (2017 Ford F Series SD) (for Whelen 700 series, LED, Linear Strobe, Halogen, Scene and Weldon 3700 series Light).
- 3) 3x7 Grille Housing: works with both Grille Style Options.

LH37678 LH37679

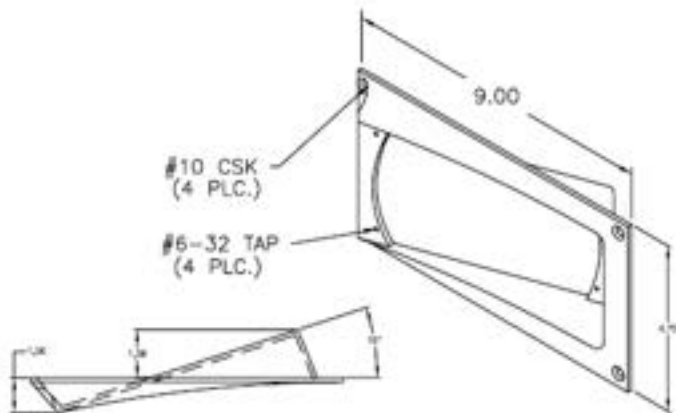


**LH37678
LH37679**
3x7, Grille Lt Hsg
Assembly (2020
Chevy HD)



1. Finish: exterior surfaces are polished.
2. For 3x7, Grille Lt Hsg (2020 Chevy HD) (for Whelen 700 series, LED and Halogen 700 series Light).

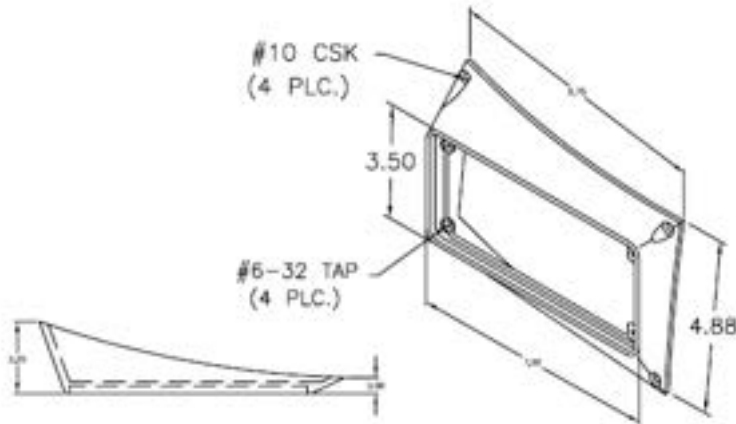
LH37701



LH37701
Intersection Light Housing
(3" x 7" Light)

- 1) Finish: All exterior surfaces are bright polished or 120 grit ground.
- 2) Angle: 15°
- 3) Mounts above the fender to "tilt-forward" the warning light toward the intersection.

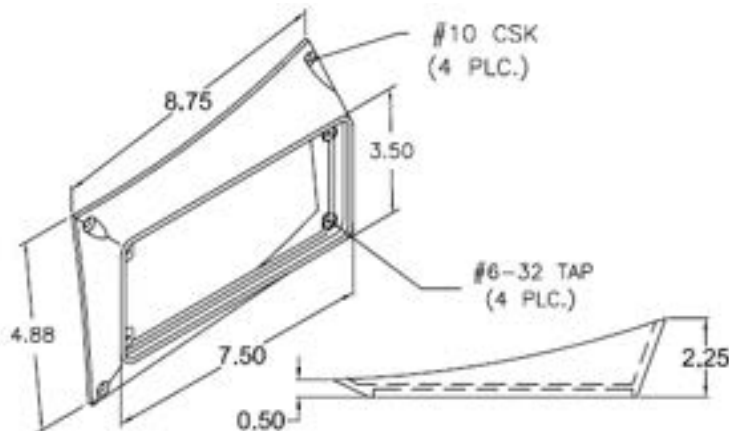
LH37702



LH37702 Intersection Light Housing (3" x 7" Light)

- 1) Finish: All exterior surfaces are bright polished.
- 2) Designed to mount an Intersection light on the front fender of the 1992 and up Ford E350 van (Passenger Side).
- 3) Tomar Strobe only (No Halogen Light).

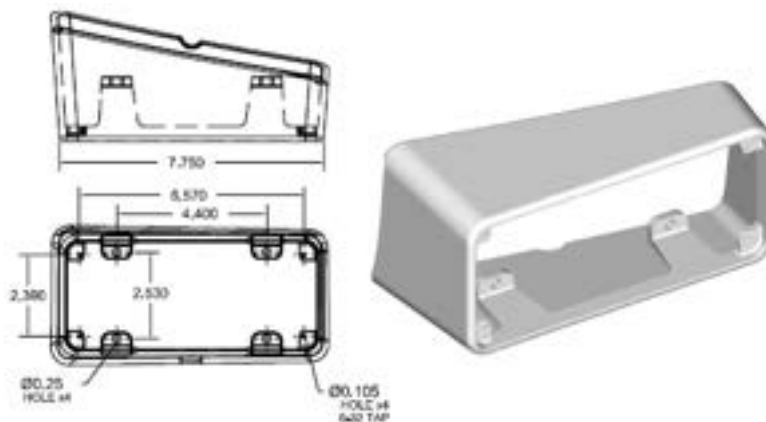
LH37703



LH37703 Intersection Light Housing (3" x 7" Light)

- 1) Finish: All exterior surfaces are bright polished.
- 2) Designed to mount an Intersection light on the front fender of the 1992 and up Ford E350 van (Driver Side).
- 3) Tomar Strobe only (No Halogen Light).

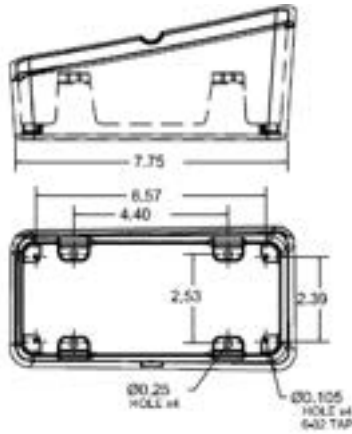
LH37712



LH37712 "Under-the-HeadLight" Housing (3" x 7" Light)

- 1) Finish: All surfaces are bright polished.
- 2) Angle: 0°
- 3) Mounts in the sheetmetal area directly below the headlights on the 1992-97 Ford Vans (Pass. Side).
- 4) Total surface mount. No clearance holes for the reflector required.

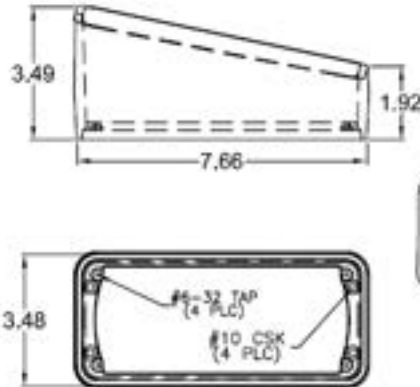
LH37713



LH37713 "Under-the-HeadLight" Housing (3" x7" Light)

- 1) Finish: All surfaces are bright polished.
- 2) Angle: 0°
- 3) Mounts in the sheetmetal area directly below the headlights on the 1992-97 Ford Vans (Driver Side).
- 4) Total surface mount. No clearance holes for the reflector required.

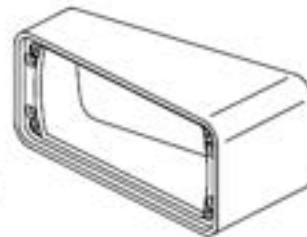
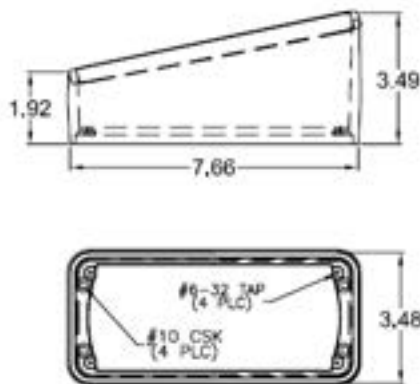
LH37722



LH37722 Intersection Light Housing (3" x7" Light)

- 1) Finish: All exterior surfaces are bright polished.
- 2) Angle: 15°
- 3) Mounts on the fender for an intersection light housing on the 1999 Ford F350 Super Duty (Passenger Side).

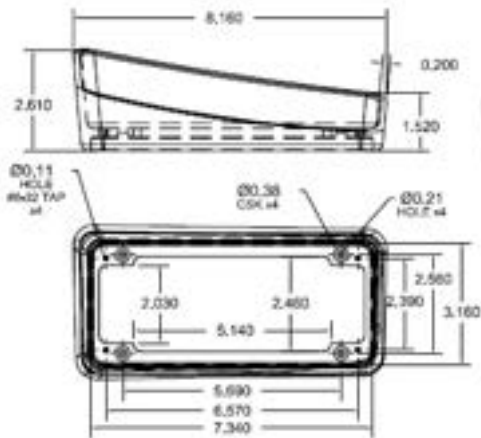
LH37723



LH37723 Intersection Light Housing (3" x7" Light)

- 1) Finish: All exterior surfaces are bright polished.
- 2) Angle: 15°
- 3) Mounts on the fender for an intersection light housing on the 1999 Ford F350 Super Duty (Driver Side).

LH37734

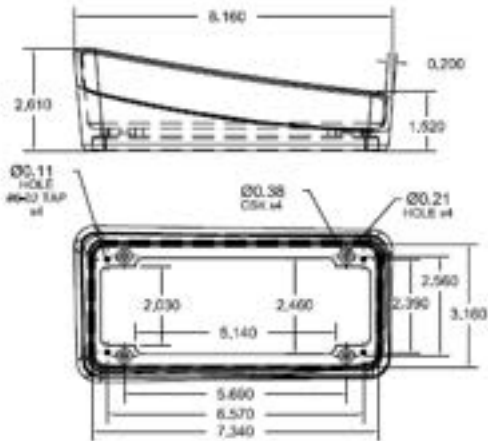


LH37734

**Driver Intersection Lt Hsg.
3" x 7" Light - 20d. Tilt -
2002-05 International 4300
(Whelen 73 LED Only !)**

- 1) Finish: polished.
- 2) Angle: 0°
- 3) Driver Intersection Lt Hsg. 3" x 7" Light 2002-05 International 4300 (Whelen 73 LED Only !)

LH37735

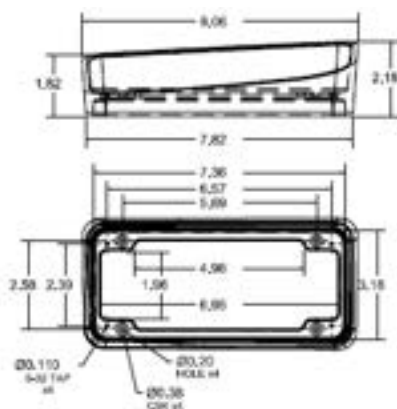


LH37735

**Pass Intersection Lt Hsg.
3" x 7" Light - 20d. Tilt -
2002-05 International 4300
(Whelen 73 LED Only !)**

- 1) Finish: polished.
- 2) Angle: 0°
- 3) Passenger Intersection Lt Hsg. 3" x 7" Light 2002-05 International 4300 (Whelen 73 LED Only !)

LH37736

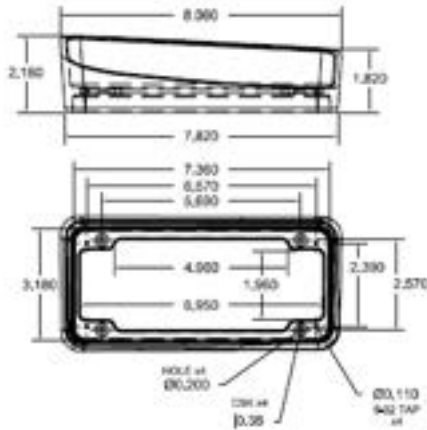


LH37736

**Intersection Lt Hsg - 0d. -
3" x 7" LED Light - 2003
Chevy/GMC C4500 - Pass.**

- 1) Finish: polished.
- 2) Angle: 0°
- 3) Passenger Intersection Lt Hsg - 0d. - 3" x 7" LED Light - 2003-05 Chevy/GMC C4500

LH37737

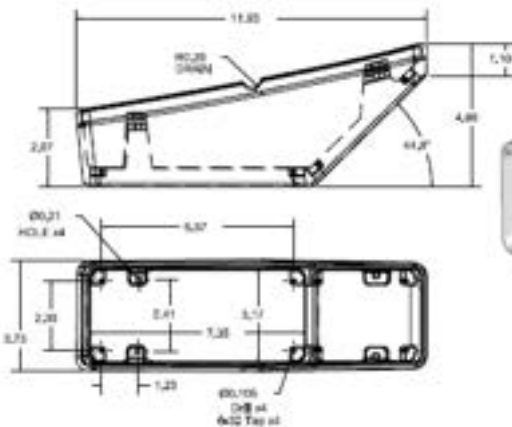


LH37737

**Intersection Lt Hsg - 0d. -
3" x 7" LED Light - 2003
Chevy/GMC C4500 - Driv.**

- 1) Finish: polished.
- 2) Angle: 0°
- 3) Driver Intersection Lt Hsg - 0d. -
3" x 7" LED Light - 2003-05
Chevy/GMC C4500

LH37738

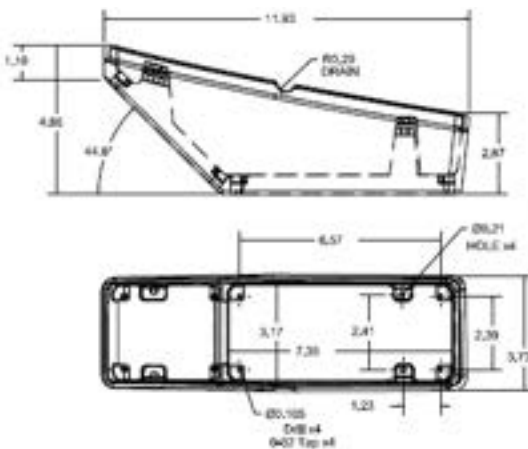


LH37738

**Comb. 3" x 7" Light Fwd /
3" x 5" Light Int. Driver Lt
Hsg - 92-04 Ford E350 UTH**

- 1) Finish: polished.
- 2) Angle: 0° and 44°
- 3) Driver Light Hsg - 0d. - 3" x 7"
and 44d. 3" x 4" Light - 2000-05 Ford
E350 Under-the-headlight

LH37739

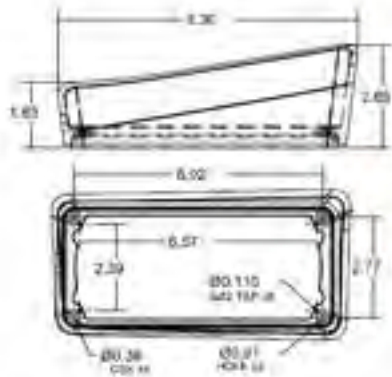


LH37739

**Comb. 3" x 7" Light Fwd /
3" x 5" Light Int. Pass. Lt
Hsg - 92-04 Ford E350 UTH**

- 1) Finish: polished.
- 2) Angle: 0° and 44°
- 3) Passenger Light Hsg - 0d. - 3" x
7" and 44d. 3" x 4" Light - 2000-05
Ford E350 Under-the-headlight

LH37744

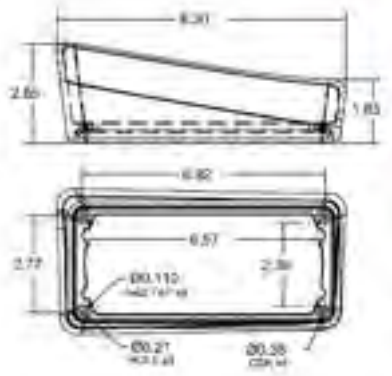


LH37744

**Driver - 2005 Ford F350 SD
15° Intersection Light
Housing 3" x 7" Lights**

- 1) Finish: polished.
- 2) Angle: 15°
- 3) Driver - 2005 Ford F350 SD Intersection Light Housing 3" x 7" Lights

LH37745

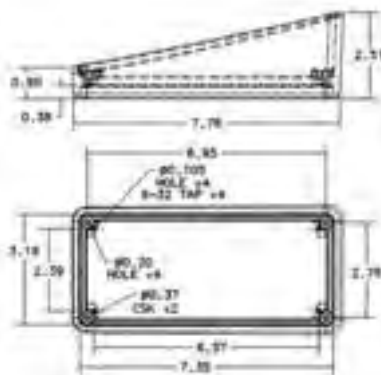


LH37745

**Passenger - 2005 Ford F350 SD 15° Intersection
Light Housing 3" x 7" Lights**

- 1) Finish: polished.
- 2) Angle: 15°
- 3) Passenger - 2005 Ford F350 SD Intersection Light Housing 3" x 7" Lights

LH37746 LH37747



**LH37746 and LH37747
3" x 7" 2006-07 Chevy/GMC G3500 15d. Intersection Hsg**

- 1) Finish: polished exterior.
- 2) LH37746 Driver Side, LH37747 Passenger Side
- 3) 15 degree, Fender mount, intersection housings for 3" X 7" Lights.

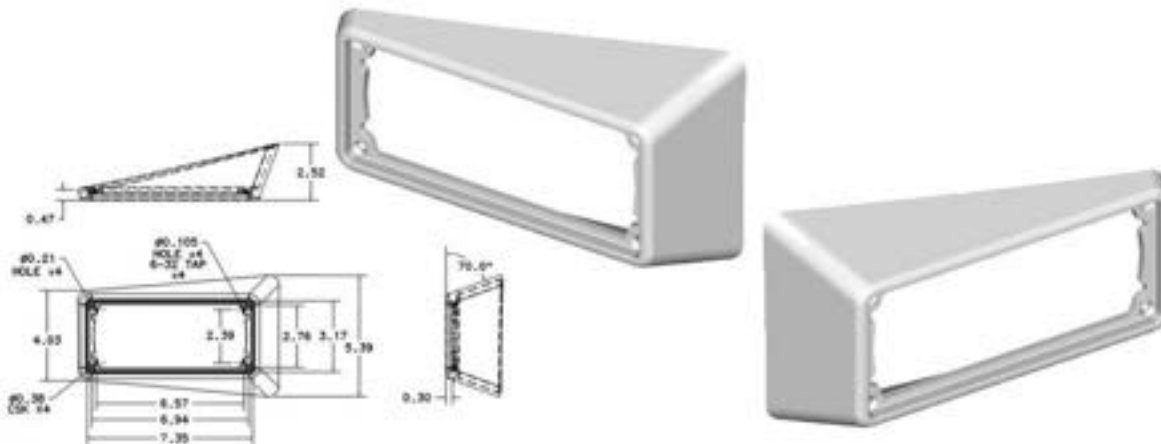
LH37748 LH37749



**LH37748 and LH37749
15d. Intersection
Light Housings for
2008 Ford F series
SD**

- 1) Finish: polished exterior.
- 2) LH37748 Driver Side, LH37749 Passenger Side.
- 3) 15 degree. Fender mount, intersection housings for 3" X 7" Lights.

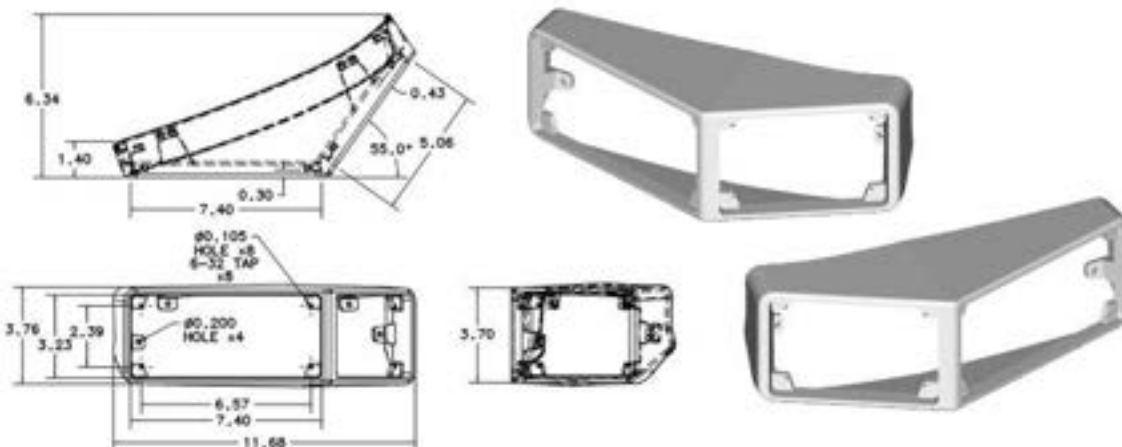
LH37750 LH37751



**LH37750 and LH37751
15d. Intersection
Light Housings for
2008 Dodge
Sprinter**

- 1) Finish: polished exterior.
- 2) LH37750 Driver Side, LH37751 Passenger Side.
- 3) 15 degree. Fender mount, intersection housings for 3" X 7" Lights.

LH37752 LH37753



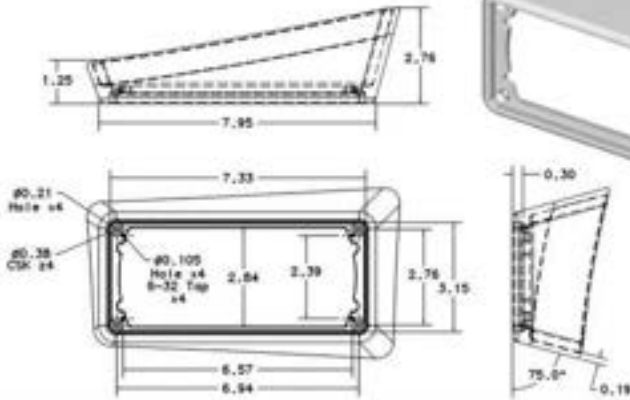
**LH37752 and LH37753
Under-the-head-
light Housings for
2008 Dodge
Sprinter**

- 1) Finish: polished exterior.
- 2) LH37752 Driver Side, LH37753 Passenger Side.
- 3) 55 degree 3" x 5" intersection light and 3" X 7" forward Light.
- 4) Mounts underneath the headlight, on top of the bumper.

LH37754 LH37755

LH37754 and LH37755 15d. Intersection Light Housings for 2007-08 Chevy C,K3500 HD

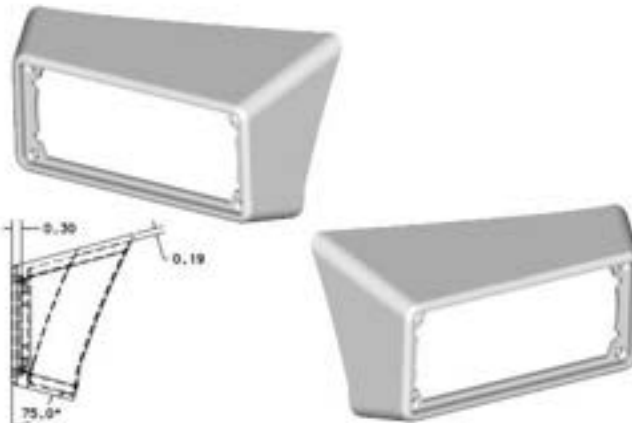
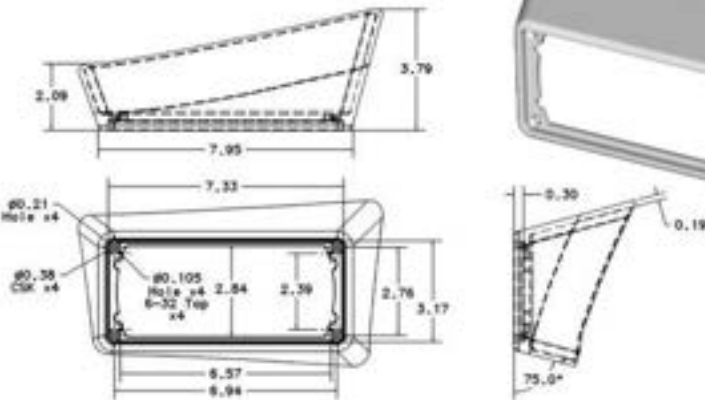
- 1) Finish: polished exterior.
- 2) LH37754 Driver Side.
LH37755 Passenger Side.
- 3) 15 degree, Fender mount,
intersection housings for
3" X 7" Lights.



LH37756 LH37757

LH37756 and LH37757 15d. Intersection Light Housings for 2007-08 GMC C,K3500 HD

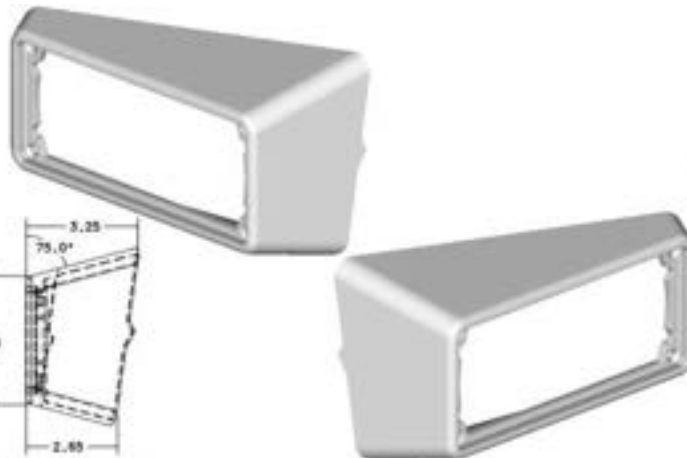
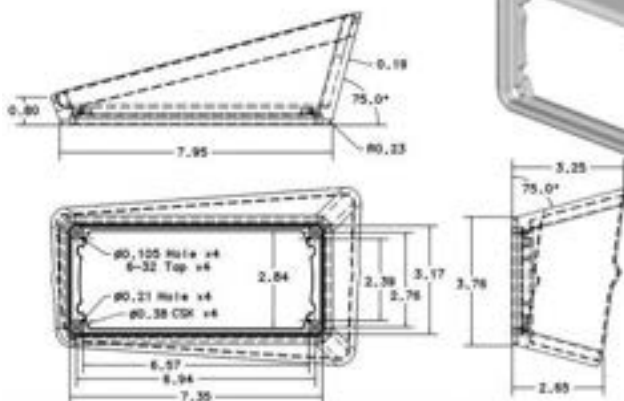
- 1) Finish: polished exterior.
- 2) LH37756 Driver Side.
LH37757 Passenger Side.
- 3) 15 degree, Fender mount,
intersection housings for
3" X 7" Lights.



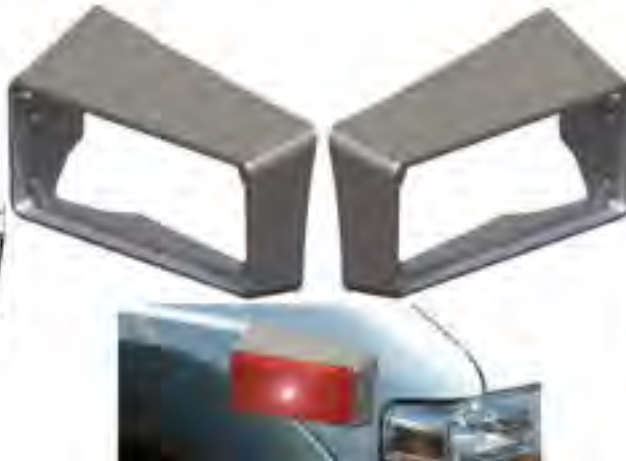
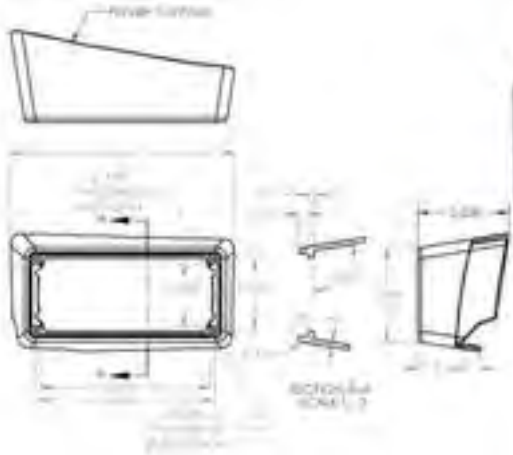
LH37758 LH37759

LH37758 and LH37759 15d. Intersection Light Housings for 2008 Ford E series SD Van

- 1) Finish: polished exterior.
- 2) LH37758 Driver Side.
LH37759 Passenger Side.
- 3) 15 degree, Fender mount,
intersection housings for
3" X 7" Lights.



LH37762 LH37763



LH37762 and LH37763
15d. Intersection Light Housings for 2008 Ford F series SD (with large fender flare)

- 1) Finish: polished exterior.
- 2) LH37762 Driver Side. LH37763 Passenger Side.
- 3) 15 degree. Fender mount, intersection housings for 3" X 7" Lights.

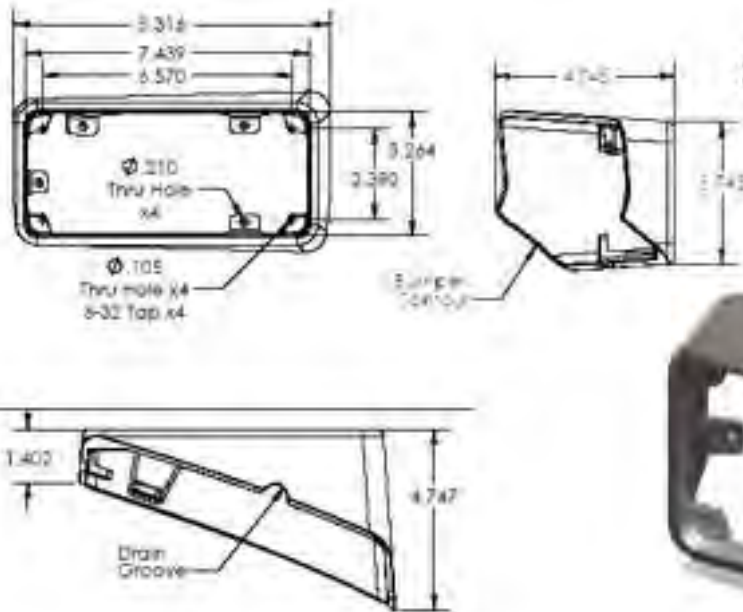
LH37764 LH37765



LH37764 and LH37765
15d. Intersection Light Housings for 2007-08 Chevy/GMC C4500/C5500/C650

- 1) Finish: polished exterior.
- 2) LH37764 Driver Side. LH37765 Passenger Side.
- 3) 15 degree. Fender mount, intersection housings for 3" X 7" Lights.

LH37766 LH37767

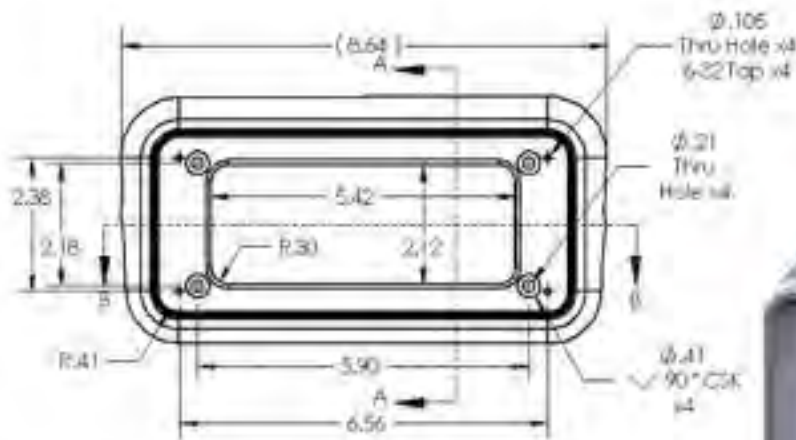


LH37766 LH37767
3x7 '08 -'09 Dodge Sprinter Under-the-Headlight Housings

- 1) Finish: Exterior Surface Polished
- 2) LH37766 Driver Side Shown
- 3) LH37767 Passenger Side is opposite



LH37768 LH37769

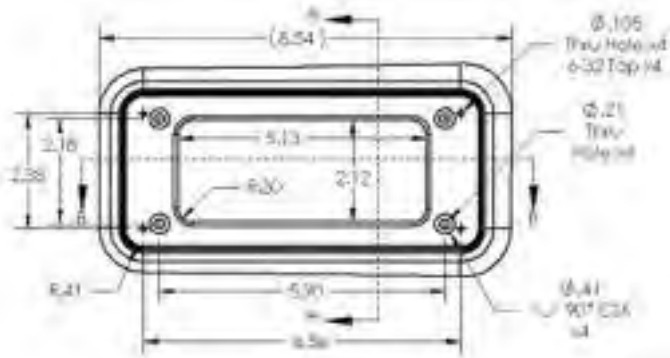


LH37768 & LH37769
Federal Signal 3x7 LED - '08-'09 Ford E350 SD Intersections. 0 degree

- 1) Finish: Exterior Surface Polished
- 2) LH37769 Passenger Side Shown
- 3) LH37768 Driver Side is opposite



LH37770 LH37771

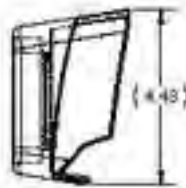


LH37770 & LH37771
Federal Signal 3x7 LED - '08-'
09 Chevy G3500 Intersections.
0 degree

- 1) Finish: Exterior Surface Polished
- 2) LH37771 Passenger Side Shown
- 3) LH37770 Driver Side is opposite

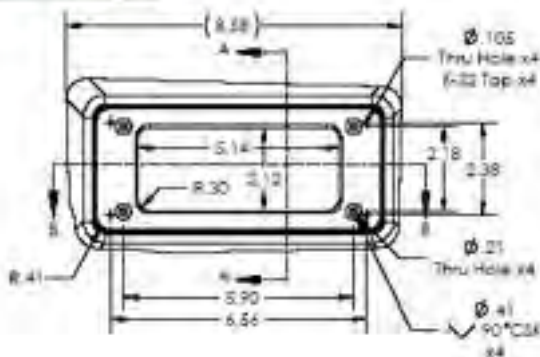


LH37772 LH37773



LH37772-1 & LH37773-1
Federal Signal 3x7 LED '08-'09 Ford
F series SD 15d. Intersection Hsg.

- 1) Finish: Exterior surfaces are polished
- 2) LH37773-1 Passenger Side shown
- LH37772-1 Driver Side is opposite

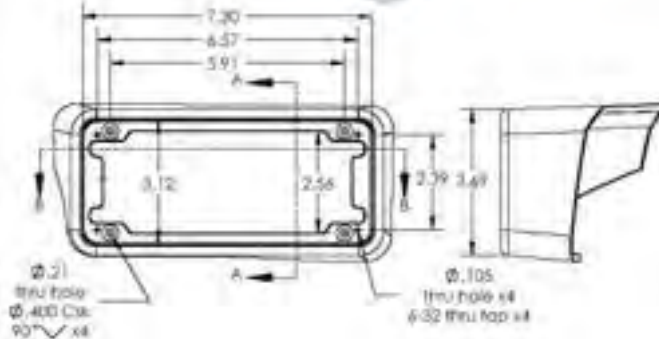


LH37774 LH37775



LH37774-1 & LH37775-1
3x7 LED only, 2011 Ford F series SD
15d. Intersection Hsg (Large
Fender Flare)

- 1) Finish: Exterior surfaces are polished
- 2) LH37774-1 Passenger Side shown
LH37775-1 Driver Side is opposite

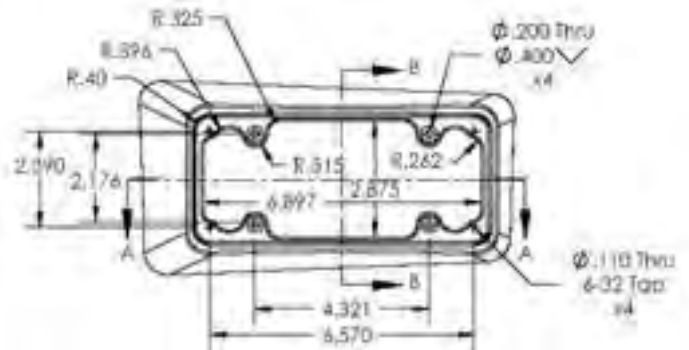


LH37776 LH37777



LH37776-1 & LH37777-1
3x7 LED only, 2010 Dodge 3500
15d. Intersection Hsg

- 1) Finish: Exterior surfaces are polished
- 2) LH37776-1 Passenger Side shown
LH37777-1 Driver Side is opposite

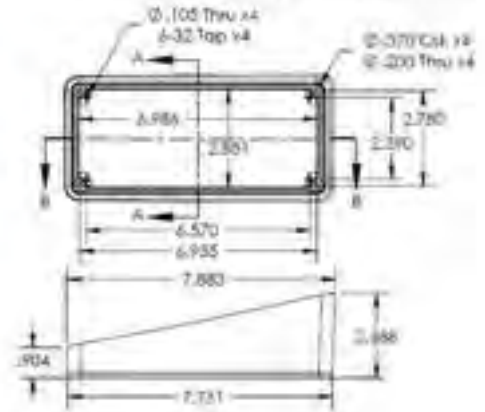


LH37778 LH37779

LH37778-1 & LH37779-1
3x7 LED, 2011 Ford F series SD 15d.
Intersection Hsg (Large Radius
Fender)



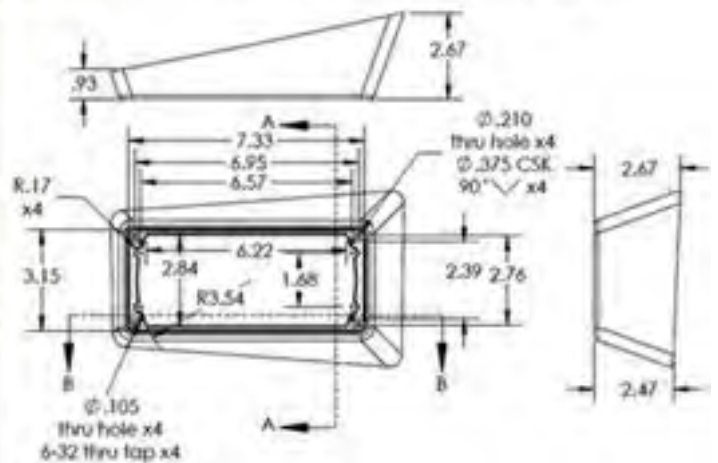
- 1) Finish: Exterior surfaces are polished
- 2) LH37778-1 Driver Side shown
LH37779-1 Passenger Side is opposite



LH37780 LH37781

LH37780-1 & LH37781-1
3x7 LED, 2014 Sprinter 15d.

- 1) Finish: Exterior surfaces are polished
- 2) LH37780-1 Driver Side shown
LH37781-1 Passenger Side is opposite



LH37782 LH37783



LH37782-1 & LH37783-1
3x7 and 3x5 Light, 2014 Sprinter
Under-the-Headlight Housing.

- 1) Finish: Exterior surfaces are polished
- 2) LH37782-1 Driver Side shown
 LH37783-1 Passenger Side is opposite

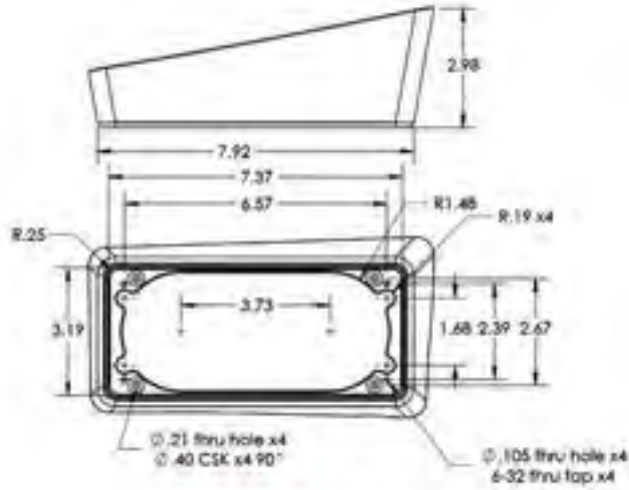
LH37784 LH37785



LH37784-1 & LH37785-1
3x7 LED only, 2015 Chevy
C3500, 15d. Intersection
Hsg.

- 1. Finish: (-1) Polished Exterior
- 2. LH37785-1 Passenger side shown,
 LH37784-1 Driver Side is opposite.
- 3. 15d. Intersection Lt. Hsg. for 2015 Chevy C3500
 (When 3x7 LED).

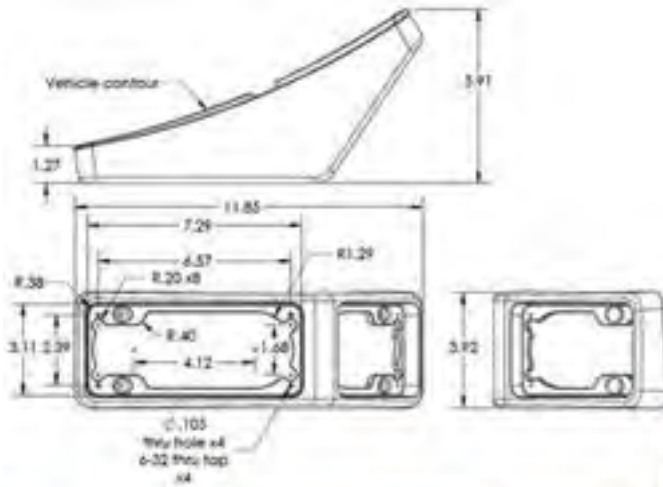
LH37786 LH37787



LH37786-1 & LH37787-1
Driver/Passenger - 3x7 LED only, 2015
Ford Transit Cargo, 15d. Intersection Hsg



LH37788 LH37789

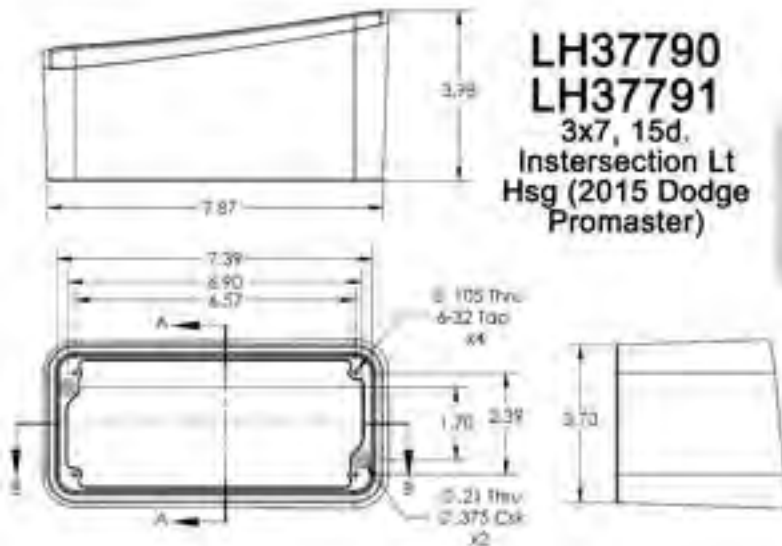


LH37788-1 & LH37789-1
Driver/Passenger - 3x7 3x5 LED only,
2015 Ford Transit Cargo,
Under-the-Headlight Housing

1. Finish: polished exterior (1).
 2. **LC37788-1 Driver** side shown.
 3. **LC37789-1 Passenger** side is opposite.
- Under-the-Headlight combination 3x7 and 3x5 Light Housing [LED only] for 2015 Ford Transit Cargo Van.



LH37790 LH37791

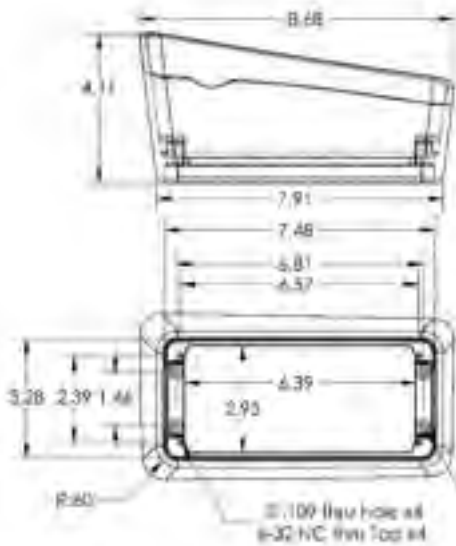


LH37790
LH37791
3x7, 15d.
Intersection Lt
Hsg (2015 Dodge
Promaster)



1. Finish: (-1) Polished exterior.
2. 15 tilt out Intersection Hsg for 2015 Dodge Promaster.

LH37792 LH37793

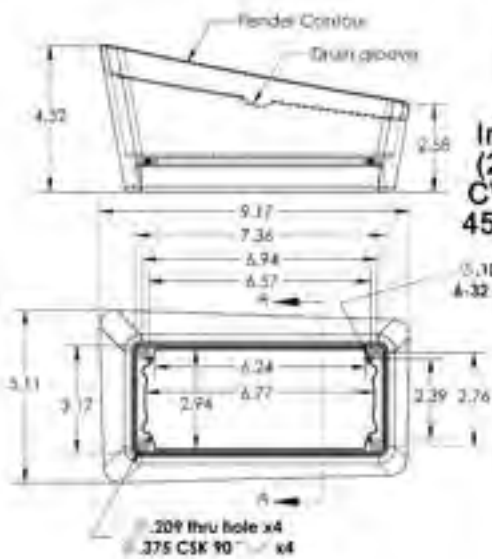


**LH37792
LH37793**
3x7, 15d.
Intersection Lt
Hsg (2017 Ford
F Series SD)



- 1) Finish: exterior surfaces are polished.
- 2) For 3x7, 15d. Intersection Lt Hsg (2017 Ford F Series SD) (for Whelen 700 series, LED, Linear Strobe, Halogen, Scene and Weldon 3700 series Light)
- 3) 3x7 Intersection Housing: works with Plain Fender and Fender with Large Fender Flare

LH37794 LH37795

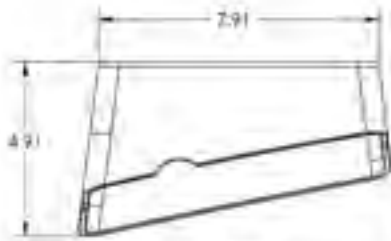


**LH37794
LH37795**
3x7, 15d.
Intersection Lt Hsg
(2019 International
CV and 2020 Chevy
4500/5500/6500 HD)

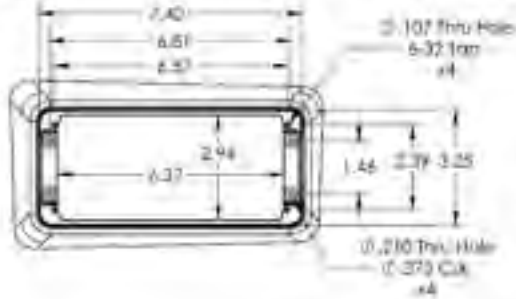


1. Finish: polished exterior surfaces,

LH37796 LH37797

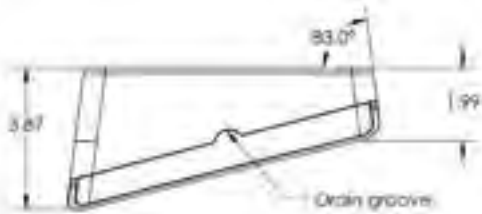


**LH37796
LH37797**
3x7, 15d. Intersection Lt
Hsg (2020 Ford F Series
SD) (for Whelen 700 series,
LED, Linear Strobe,
Halogen, Scene and
Weldon 3700 series Light)

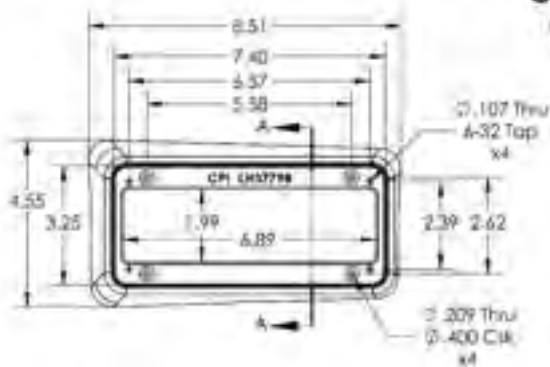


1) Finish: (-1) Polished.

LH37798 LH37799

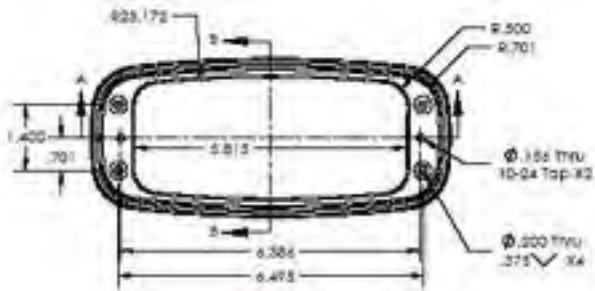


**LH37798
LH37799**
3x7, 15d.
Intersection Lt
Hsg (2020
Chevy C3500)
(for Whelen
LED)



1. Finish:(-1) Polished exterior.

LH37M101



LH37M101

Light Housing 0d. (Whelen M Series) 1/2" Thick - Total Surface Mount

- 1) Finish: Ball-Burnished w/ Exterior Surface Polished
- 2) 1/2" Thick Total Surface Mounting
- 3) Housing for Whelen M7 Series Light

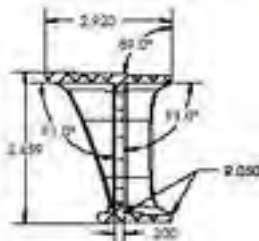
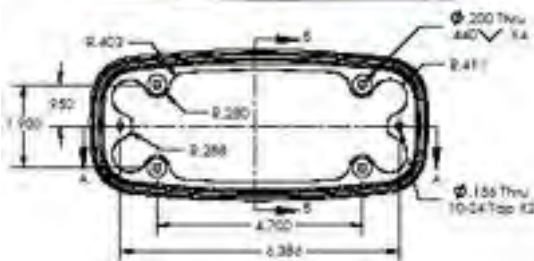


LH37M601 LH37M602

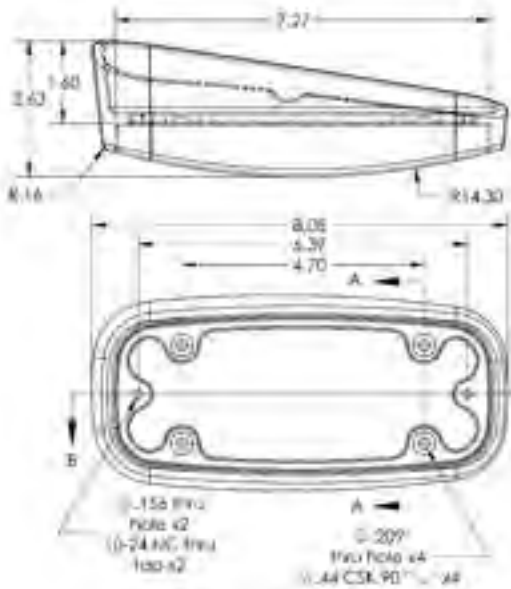


LH37M601 & LH37M602 Grille Light Housings '04-'09 Chevy / GMC G3500 (Whelen M Series Lt)

- 1) Finish: Ball-Burnished w/ Exterior Surface Polished
- 2) LH37M602 Passenger Side Shown
- 3) LH37M601 Driver Side Opposite



LH37M705 LH37M706



**LH37M705
LH37M706**

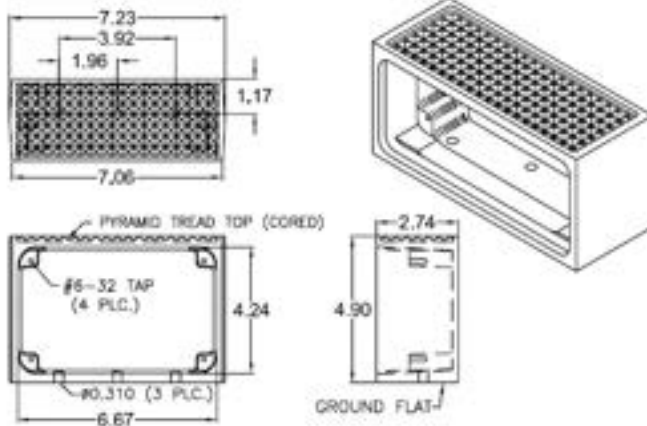
15d Tilt-Out
Intersection Light
Housing - 2017 Ford
F Series SD (Whelen
M7 Series Lt w/o
Chrome Trim)



- 1) Finish: exterior surfaces are polished.
- 2) For Whelen M7 Series Lt w/o Chrome Trim, 15d. Intersection Lt Hsg (2017 Ford F Series SD)
- 3) M7 Intersection Housing: works with Plain Fender and Fender with Large Fender Flare

4" x 6" Light Housings

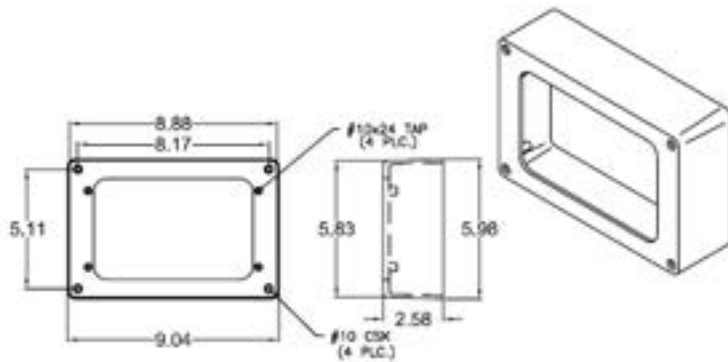
LH46001



**LH46001
Light Housing / Step
(6" x 4" Light)**

- 1) Finish: All exterior surfaces are bright polished.
- 2) Angle: 0°
- 3) Total surface mount. No clearance hole in the body required.
- 4) Fits halogen or linear strobe.
- 5) Pyramid tread on top.

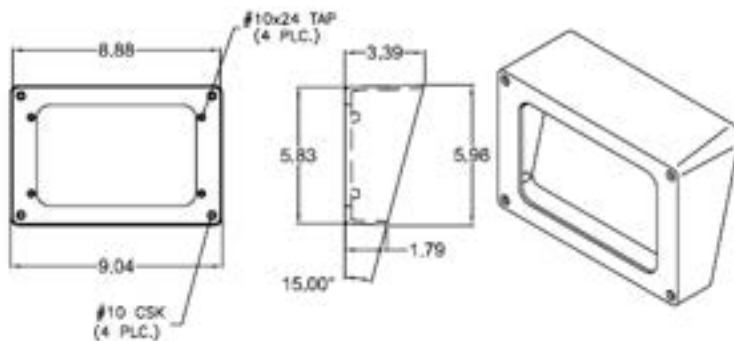
LH46103



LH46103 Light Trim (6" x 4" Light)

- 1) Finish: All exterior surfaces are bright polished.
- 2) angle: 0°
- 3) Lights mount to the back side of trim using the existing holes in the chrome-plated flange of the light.
- 4) Total surface mount. No clearance hole in the body required.

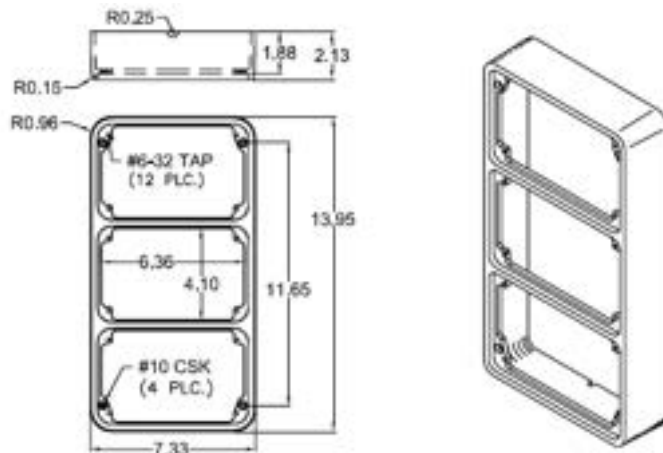
LH46104



LH46104 Light Trim (6" x 4" Light)

- 1) Finish: All exterior surfaces are bright polished.
- 2) angle: 0°
- 3) Lights mount to the back side of trim using the existing holes in the chrome-plated flange of the light.
- 4) Total surface mount. No clearance hole in the body required.

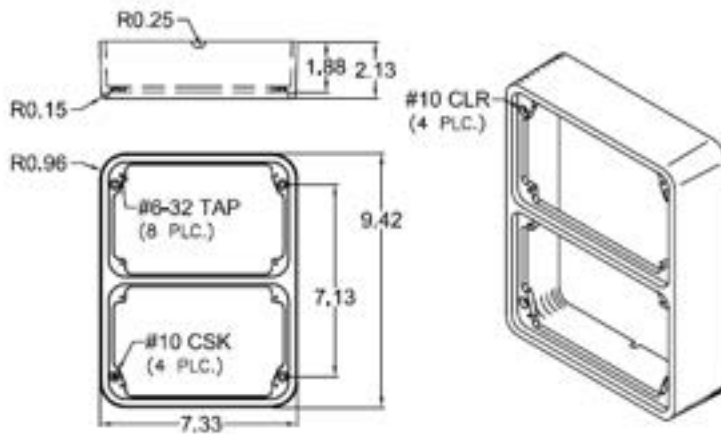
LH46105



LH46105 Triple Light Trim (6" x 4" Light)

- 1) Finish: All exterior surfaces are bright polished.
- 2) 0°
- 3) Concealed mounting hardware.
- 4) Total surface mount. No clearance hole in the body required.

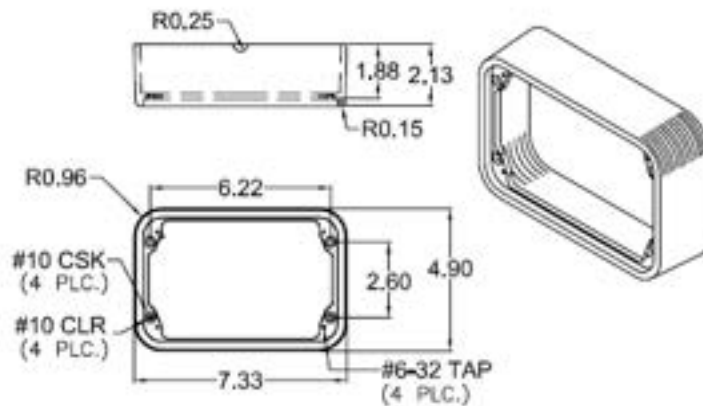
LH46106



LH46106 Double Light Trim (6" x 4" Light)

- 1) Finish: All exterior surfaces are bright polished.
- 2) 0°
- 3) Concealed mounting hardware.
- 4) Total surface mount. No clearance hole in the body required.

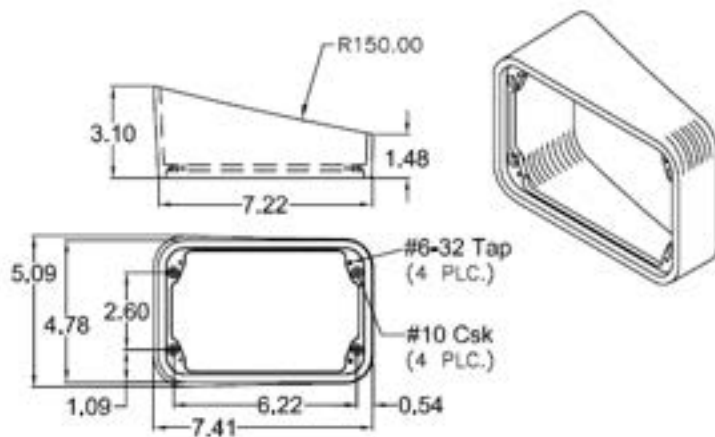
LH46107



LH46107 Light Trim (6" x 4" Light)

- 1) Finish: All exterior surfaces are bright polished.
- 2) 0°
- 3) Concealed mounting hardware.
- 4) Total surface mount. No clearance hole in the body required.

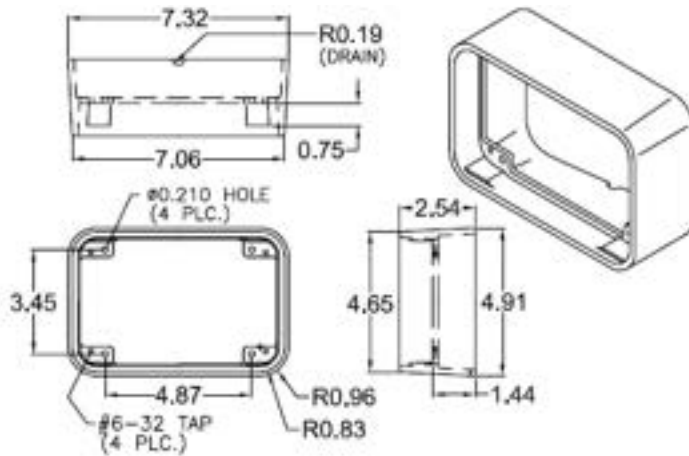
LH46109



LH46109 Light Housing (6" x 4" Light)

- 1) Finish: All exterior surfaces are bright polished.
- 2) Angle: 0°
- 3) Function: Mounts the light to a 150" radius Cab surface.
- 4) Total surface mount. No clearance hole in the body required.

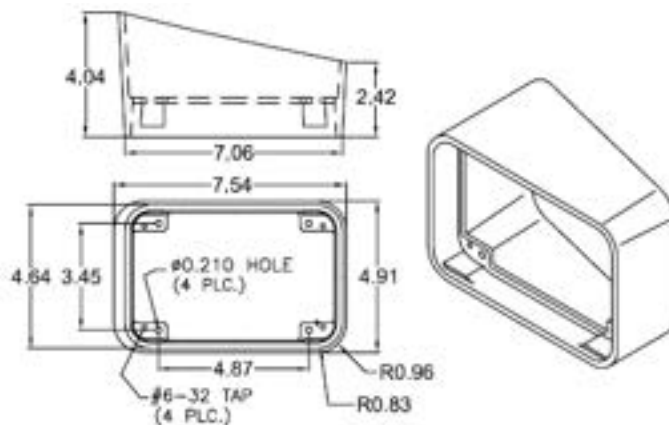
LH46110



LH46110 Light Housing (6" x 4" Light)

- 1) Finish: All exterior surfaces are bright polished.
- 2) 0°
- 3) Total surface mount. No clearance hole in the body required.
- 4) Fits halogen or linear strobe.

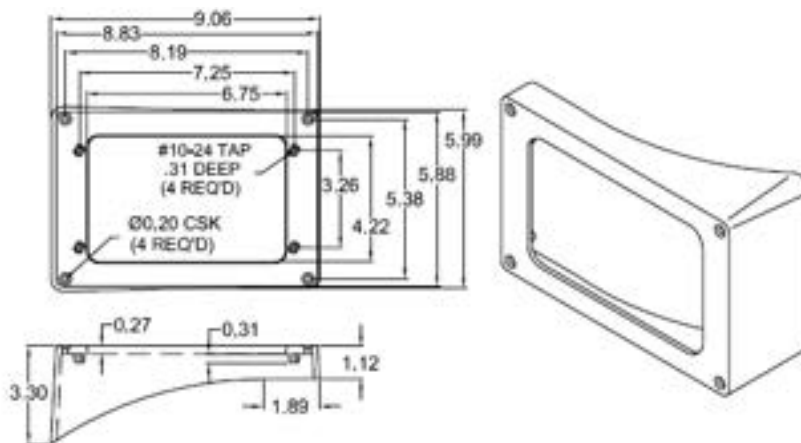
LH46111



LH46111 Light Housing (6" x 4" Light)

- 1) Finish: All exterior surfaces are bright polished.
- 2) Angle: 0°
- 3) Total surface mount. No clearance hole in the body required.
- 4) Fits cab curvature of 150" radius.
- 5) Fits halogen or linear strobe.

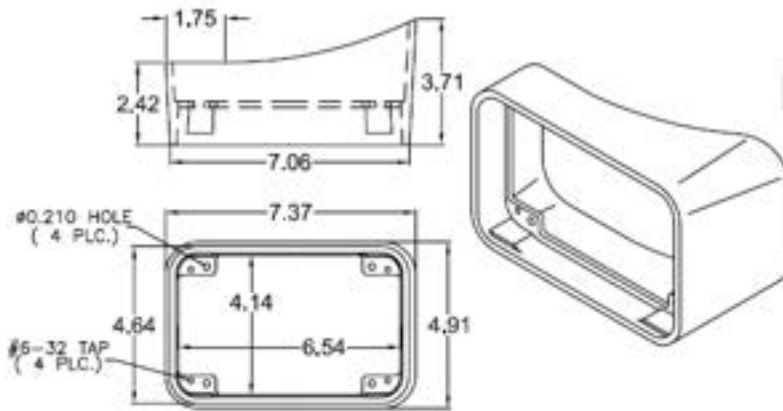
LH46112



LH46112 Light Housing (6" x 4" Light w/ ChromeFlange)

- 1) Finish: All exterior surfaces are bright polished.
- 2) Angle: 0°
- 3) Total surface mount. No clearance hole in the body required.
- 4) Fits cab curvature of 12 7/8" radius.

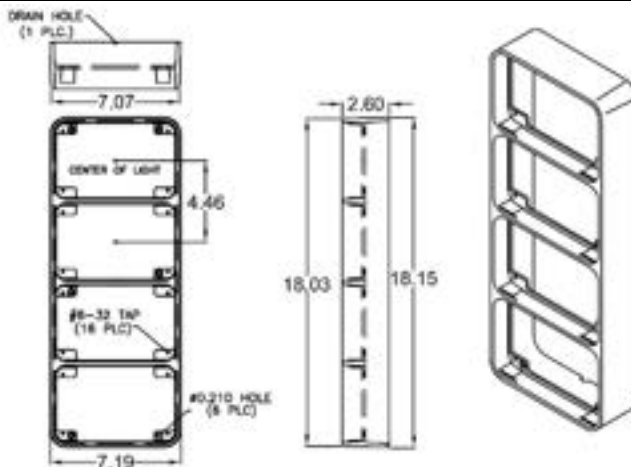
LH46113



LH46113 Intersection Light Housing (6" x 4" Light)

- 1) Finish: All exterior surfaces are bright polished.
- 2) Angle: 0°
- 3) Total surface mount. No clearance hole in the body required.
- 4) Fits cab curvature of 12 7/8" radius.

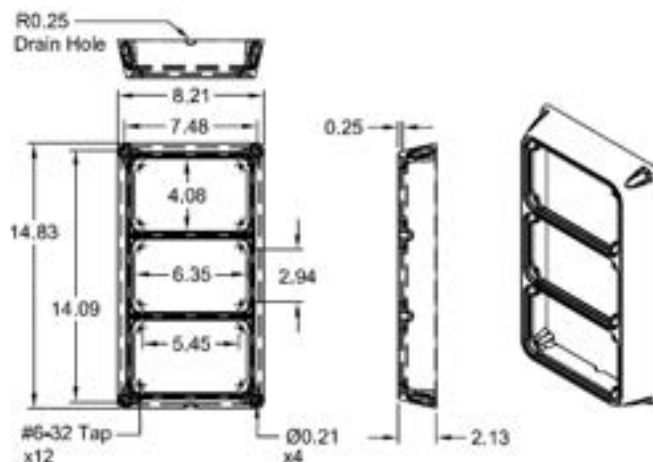
LH46114



LH46114 Quad Light Housing (6" x 4" Light)

- 1) Finish: All exterior surfaces are bright polished.
- 2) Angle: 0°
- 3) Total surface mount. No clearance hole in the body required.

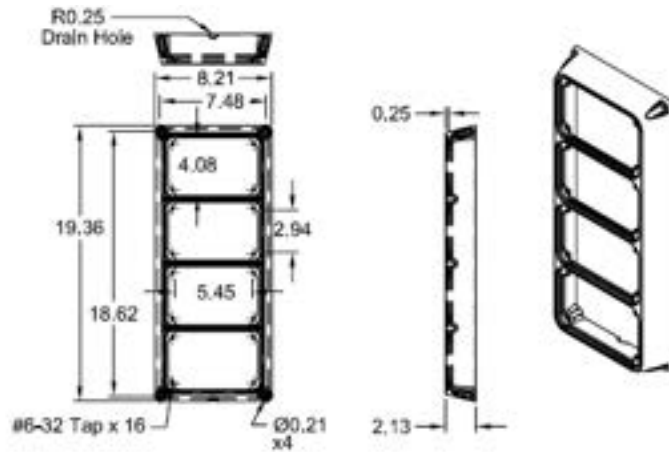
LH46115



LH46115 Triple Light Housing (6" x 4" Light)

- 1) Finish: All exterior surfaces are bright polished.
- 2) Angle: 0°
- 3) Total surface mount. No clearance hole in the body required.
- 4) Only for use with a Weldon 4" x 6" light.

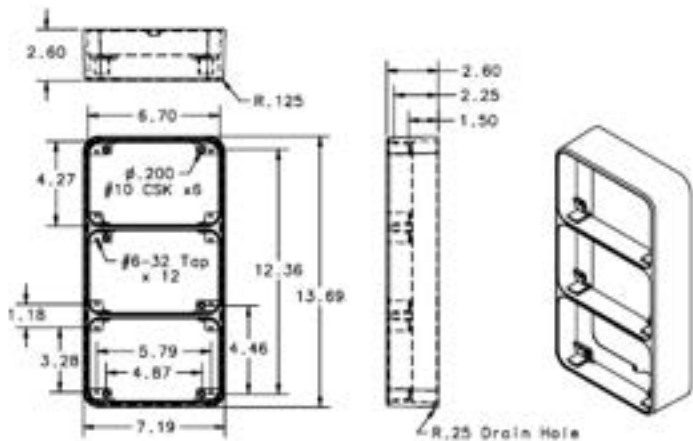
LH46116



LH46116 Quad Light Housing (6" x 4" Light)

- 1) Finish: All exterior surfaces are bright polished.
- 2) Angle: 0°
- 3) Total surface mount. No clearance hole in the body required.
- 4) Only for use with a Weldon 4" x 6" light.

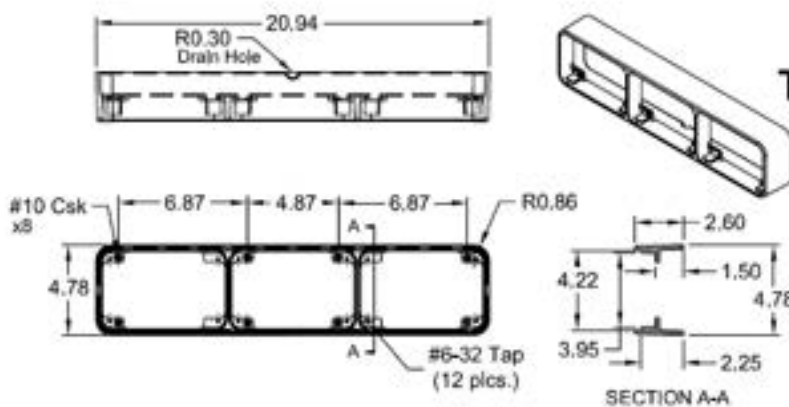
LH46117



LH46117 Triple Vertical Light Housing (6" x 4" Light)

- 1) Finish: All exterior surfaces are bright polished.
- 2) Angle: 0°
- 3) Total surface mount. No clearance hole in the body required.
- 4) Fits halogen or linear strobe.

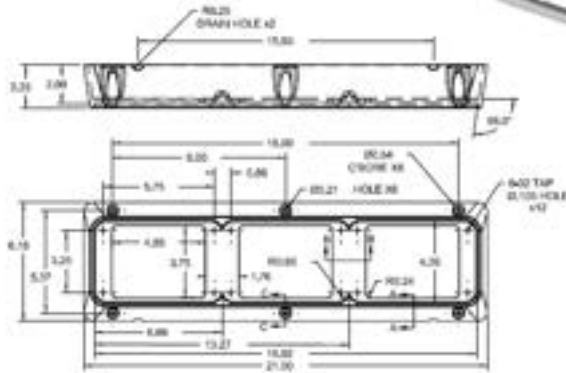
LH46118



LH46118 Triple Vertical Light Housing (6" x 4" Light)

- 1) Finish: All exterior surfaces are bright polished.
- 2) Angle: 0°
- 3) Total surface mount. No clearance hole in the body required.
- 4) Fits halogen or linear strobe.

LH46119

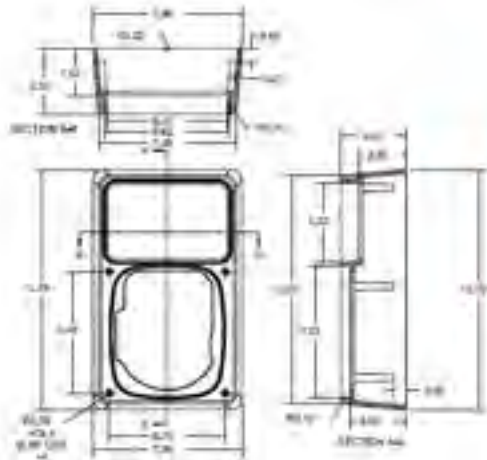


LH46119

**Triple Horizontal
Light Housing -
0d. - Weldon 4" x
6" Light - 2 1/4"
thick**

- 1) Finish: polished exterior.
- 2) Triple Horizontal Light Housing - 0d. - Weldon 4" x 6" Light - 2 1/4" thick
- 3) Optional mounting gasket RG0038.

LH46120

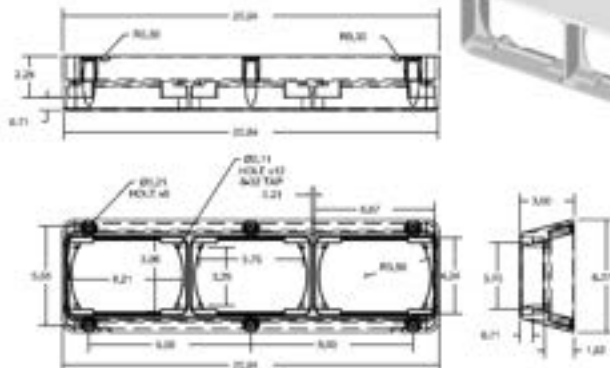


LH46120

**Rear Light Housing,
Signal-Stat / Whelen
6E LED, Halogen or
Strobe**

- 1) Finish: polished exterior.
- 2) Rear Light Housing, for Signal-Stat / Whelen 6E LED, Halogen or Strobe.
- 3) Optional mounting gasket RG0042.

LH46121

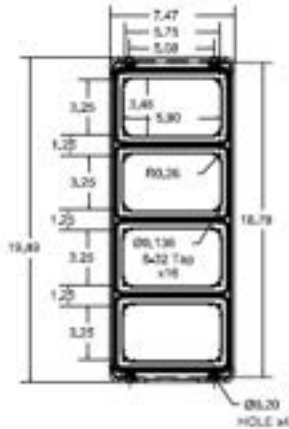


LH46121

**Triple Horizontal
Light Housing -
0d. - Whelen 6E
Led or Halogen**

- 1) Finish: polished exterior.
- 2) Triple Horizontal Light Housing - 0d. - for Whelen 6E Led or Halogen
- 3) Optional mounting gasket RG0043.

LH46125

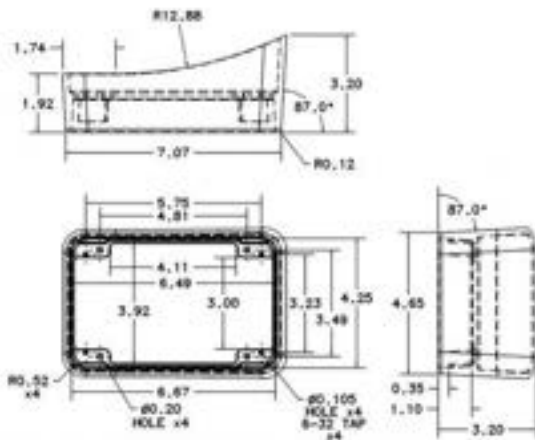


LH46125

Quad Vertical Light Housing - 0d. - Code-3 4" x 6" LED

- 1) Finish: all exterior surfaces are polished.
- 2) Angle: 0°
- 3) Quad Vertical Light Housing - 0d. - for Code-3 4" x 6" LED

LH46126

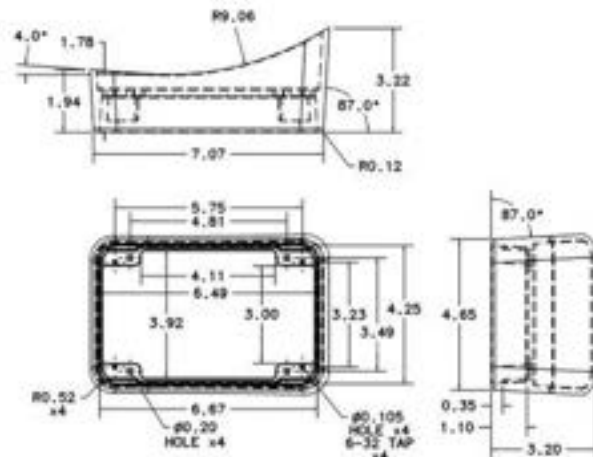


LH46126

Light Housing - 12 7/8" rad. - Whelen 4" x 6"

- 1) Finish: Polished exterior.
- 2) For 4x6 Linear Strobe, Halogen or LED light.

LH46127

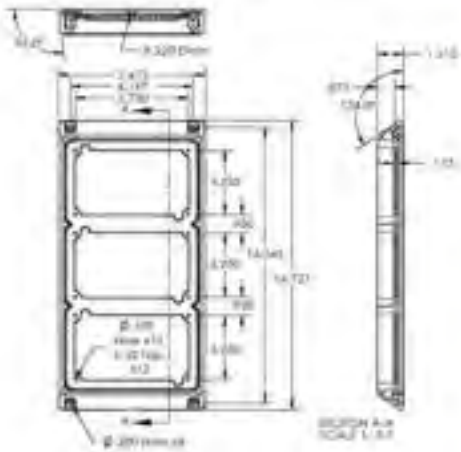


LH46127

Light Housing - 9 1/16" rad. - Whelen 4" x 6" Light

- 1) Finish: Polished exterior.
- 2) For 4x6 Linear Strobe, Halogen or LED light.

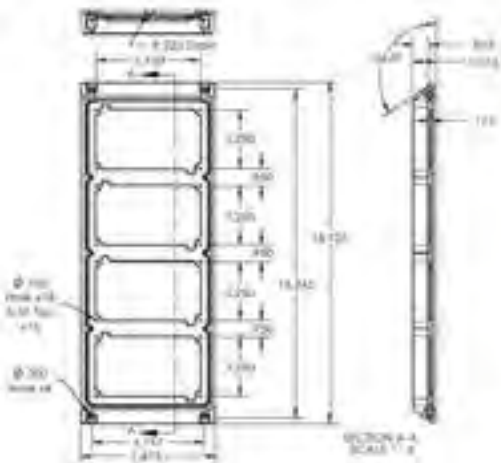
LH46128



LH46128 Triple Light Hsg - 0d. -Whelen 4" x 6" LED Light

- 1) Finish: Polished exterior.
- 2) For 4x6 LED light only.
- 3) Uses RG0063 Gasket.

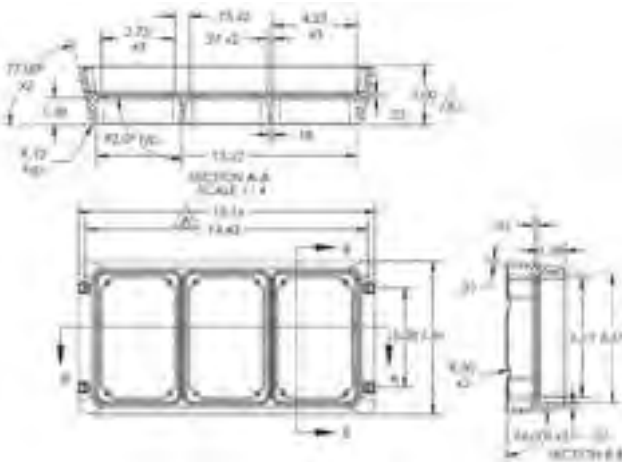
LH46129



LH46129 Quad Light Hsg - 0d. - Whelen 4" x 6" LED Light

- 1) Finish: Polished exterior.
- 2) For 4x6 LED light only.
- 3) Uses RG0064 Gasket.

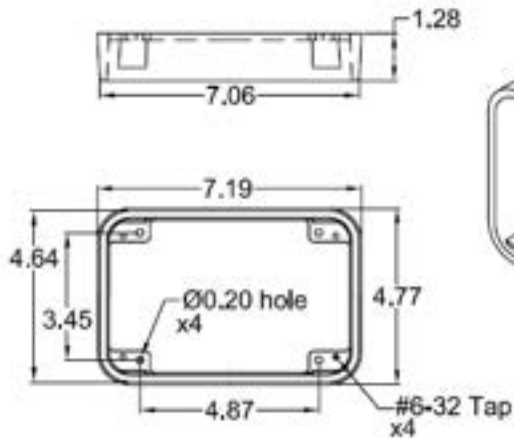
LH46130



LH46130 Triple Light Hsg - 0d. 3.50" deep - Code 3 4" x 6" Perimeter Light

- 1) Finish: Polished exterior.
- 2) For Code 3 4x6 LED light only.

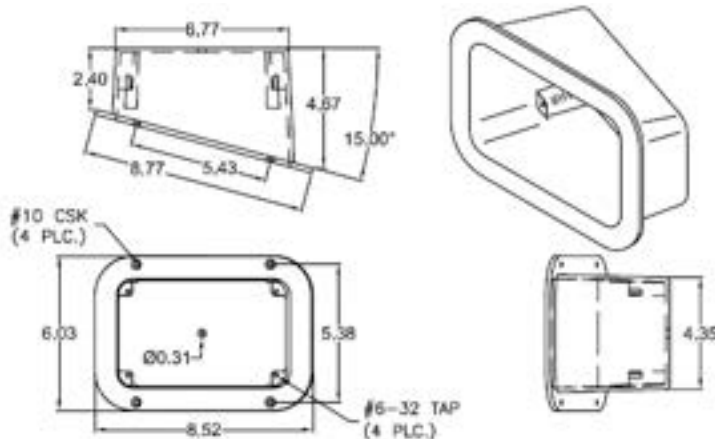
LH46202



LH46202 Light Housing (6" x 4" Light)

- 1) Finish: All exterior surfaces are bright polished.
- 2) Angle: 0°
- 3) Clearance hole in the body required.
- 4) Fits halogen or linear strobe.

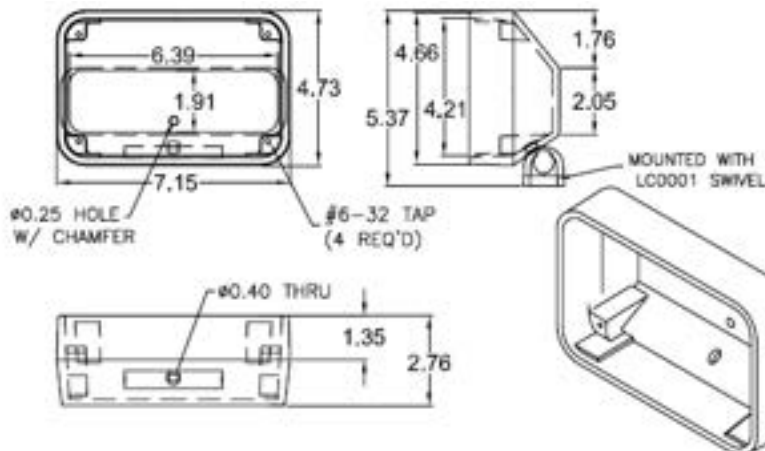
LH46301



LH46301 Recessed Light Housing (6" x 4" Light)

- 1) Finish: Exterior flange is bright polished.
- 2) Angle: 15°
- 3) Clearance hole in the body required.
- 4) Fits halogen or linear strobe.

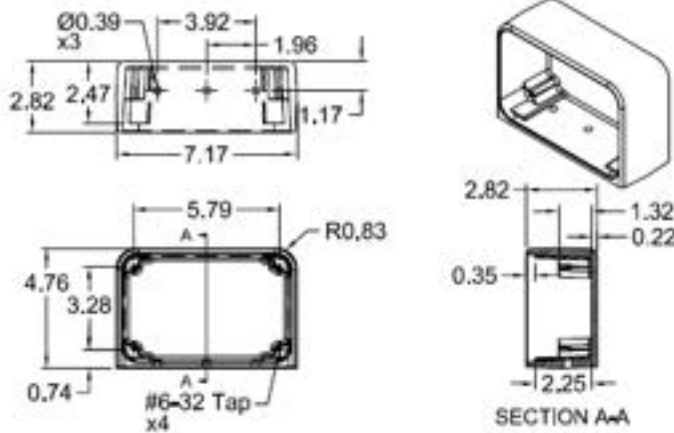
LH46501



LH46501 Bumper Mount Light Housing (6" x 4" Light)

- 1) Finish: Bright Polished.
- 2) Fits halogen or linear strobe.

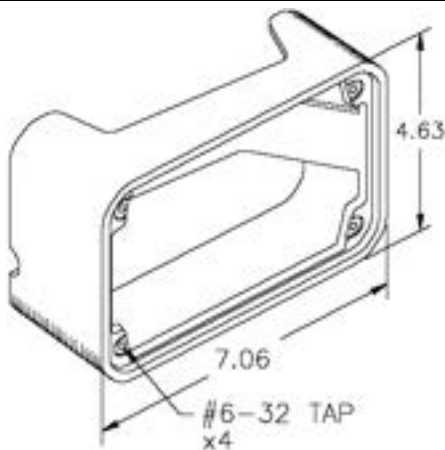
LH46502



LH46502 Flat Bumper Mount Light Housing (6" x 4" Light)

- 1) Finish: Exterior flange is bright polished.
- 2) Fits halogen or linear strobe.

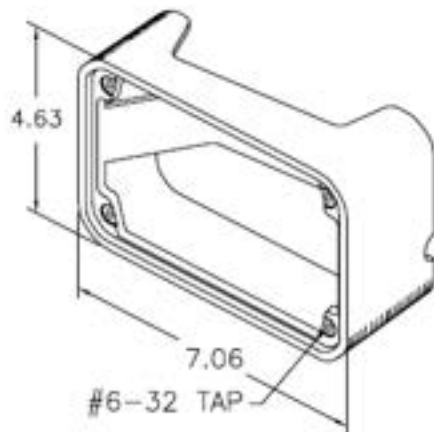
LH46601



LH46601 Grille Mount Light Housing (6" x 4" Light)

- 1) Finish: All exterior surfaces are bright polished.
- 2) Parts mount to the face of the grille without cutting, drilling or damaging the grille.
- 3) Mounts with an included backplate, from the backside of the grille (grille must remain on the vehicle) of the 1992 - 1996 Ford E350 van.

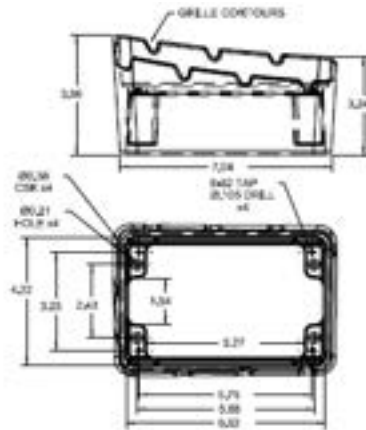
LH46602



LH46602 Grille Mount Light Housing (6" x 4" Light)

- 1) Finish: All exterior surfaces are bright polished.
- 2) Parts mount to the face of the grille without cutting, drilling or damaging the grille.
- 3) Mounts with an included backplate, from the backside of the grille (grille must remain on the vehicle) of the 1992-1996 Ford E350 van (Driv, Side).

LH46603

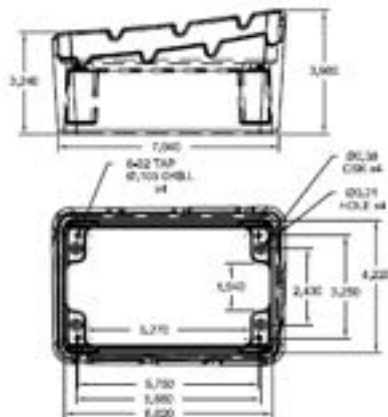


LH46603

Passenger - Whelen 4" x 6" - Grille Mnt Lt Housing (2002-05 International 4300)

- 1) Finish: All exterior surfaces are bright polished.
- 2) Parts mount to the face of the grille without cutting, drilling or damaging the grille.
- 3) Mounts with an included backplate, from the backside of the grille (grille must remain on the vehicle) of the 2000-05 International 4300

LH46604



LH46604

Driver - Whelen 4" x 6" - Grille Mnt Lt Housing (2002-05 International 4300)

- 1) Finish: All exterior surfaces are bright polished.
- 2) Parts mount to the face of the grille without cutting, drilling or damaging the grille.
- 3) Mounts with an included backplate, from the backside of the grille (grille must remain on the vehicle) of the 2000-05 International 4300

LH46707



LH46707

Comb. Whelen 4" x 6" Fwd / 3" x 7" Int. Driver Lt Hsg - for 2002-05 International 4300

- 1) Finish: All exterior surfaces are bright polished.
- 2) Part mounts to the fender of the 2000-05 International 4300 to serve as an intersection and forward facing warning light of the 2000-05 International 4300

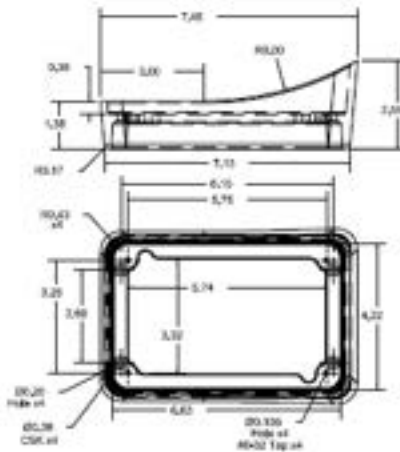
LH46708



LH46708
Comb. Whelen 4" x 6"
Fwd / 3" x 7" Int.
Passenger Lt Hsg - for
2002-05 International 4300

- 1) Finish; All exterior surfaces are bright polished.
- 2) Part mounts to the fender of the 2000-05 International 4300 to serve as an intersection and forward facing warning light of the 2000-05 International 4300

LH46709

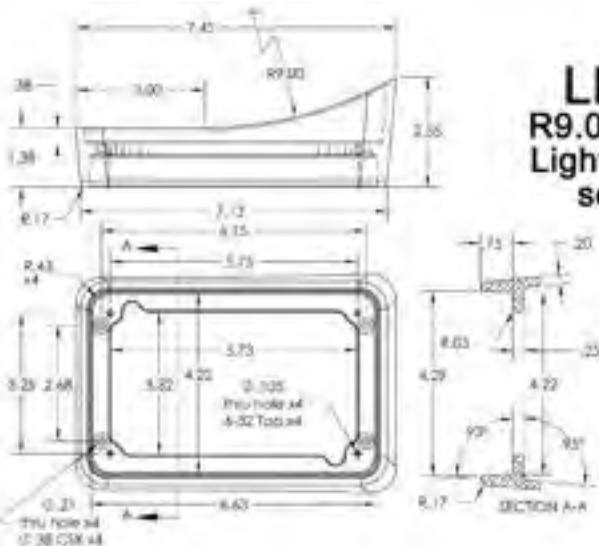


LH46709

**Intersection Light
Housing - Whelen
64 LED - 9" Rad.**

- 1) Finish; All exterior surfaces are bright polished.
- 2) Angle: 0°
- 3) Fits 9" radius corner post.

LH46710



LH46710
R9.0" Intersection
Light Housing (64
series LED)



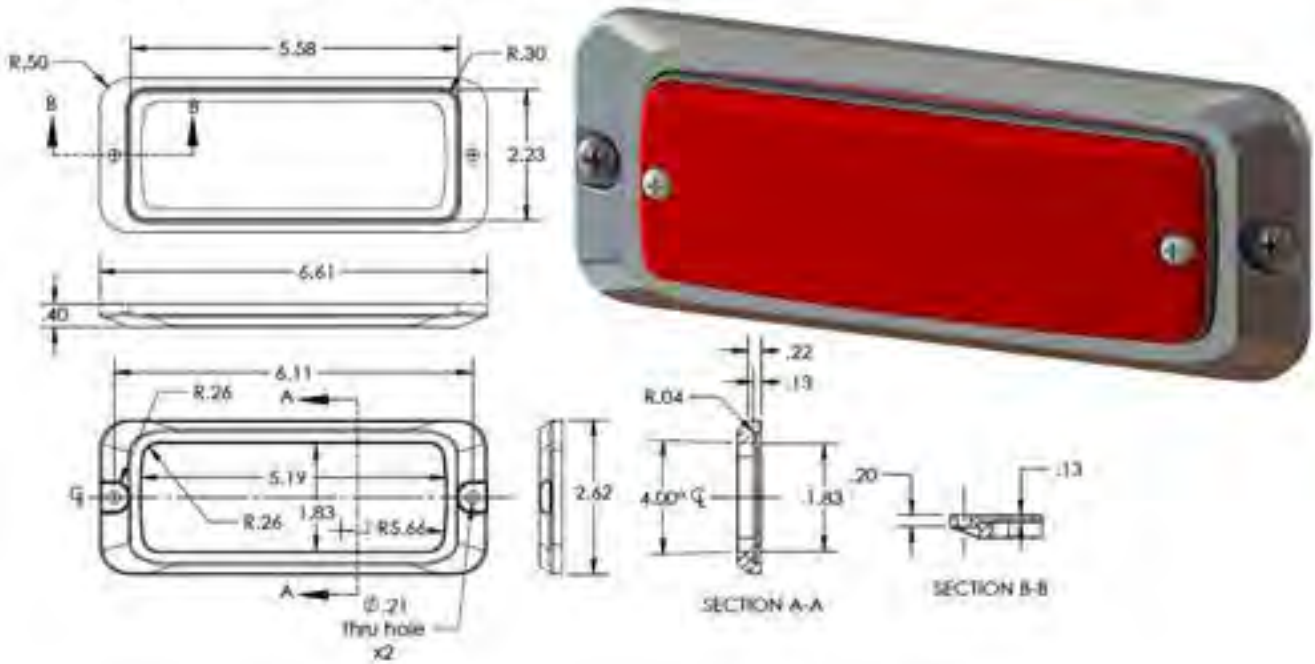
1. Finish: polished exterior (-1).

2" x 5" Light Housings

LH52001

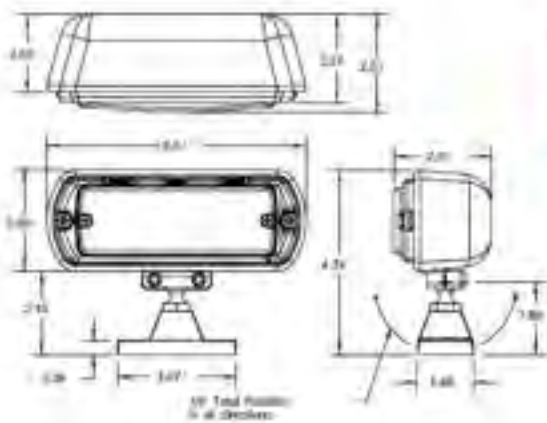
LH52001-1
Surface Mount Trim Casting (500 Series Super LED TIR6)

1. Finish: exterior surfaces are polished.
2. For light mounting of 500 Series Super LED TIR6.



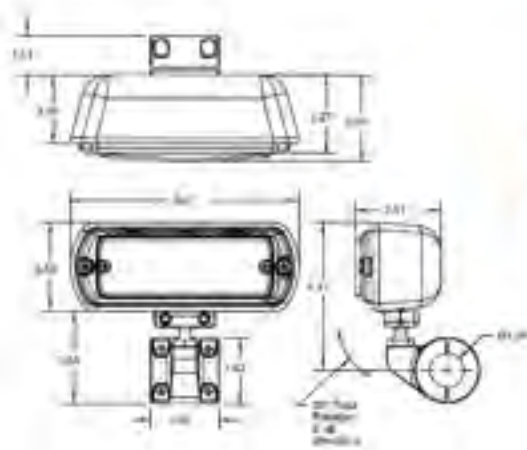
LH52501

LH52501
Swivel (Flat) Mount Light Housing, Whelen 52 Series Linear Strobe



- 1) Finish: polished exterior.
- 2) Designed for use as a Swivel (Flat) Mount Light Housing for Whelen 52 Series Linear Strobes

LH52503



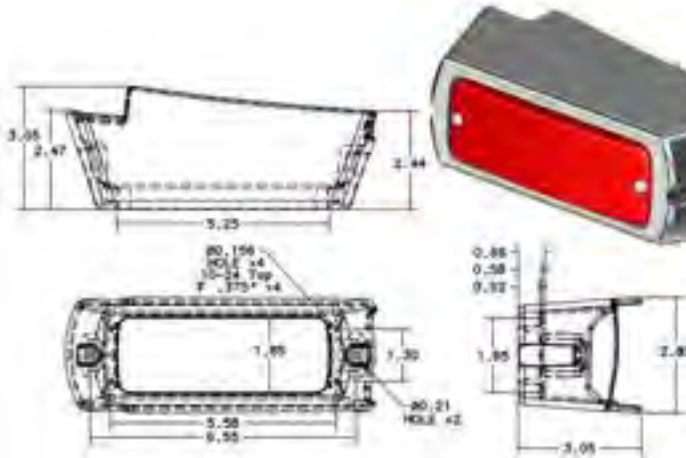
LH52503

Swivel (1 1/4" OD
Crash Bar) Mount
Light Housing,
Whelen 52 Series
Linear Strobe

- 1) Finish: polished exterior.
- 2) Designed for use as a 1 1/4" diameter Crash Bar Mount Light Housing for Whelen 52 Series Linear Strobe



LH52605 LH52606

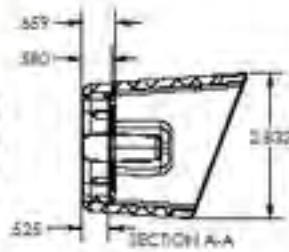


**LH52605 and
LH52606**
Grille Mount Hous-
ings for 2008 Ford
E series SD Van

- 1) Finish: polished exterior.
- 2) LH52605 Driver Side
LH52606 Passenger Side.
- 3) For Whelen 500 series
TIR6 Super LED or 500
series Linear Strobe
Lights

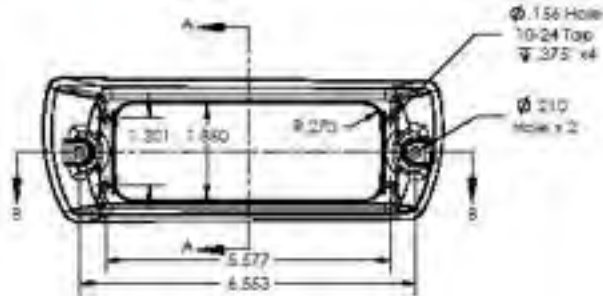


LH52609 LH52610



**LH52609-1 & LH52610-1
Grille Mount Lt Hsg Assembly (Whelen
500 series TIR6 Super LED or 500 series
Linear Strobe) '08-'09 Chevy G3500**

- 1) Finish: Exterior surfaces are polished
- 2) LH52610-1 Passenger Side shown
LH52609-1 Driver Side is opposite

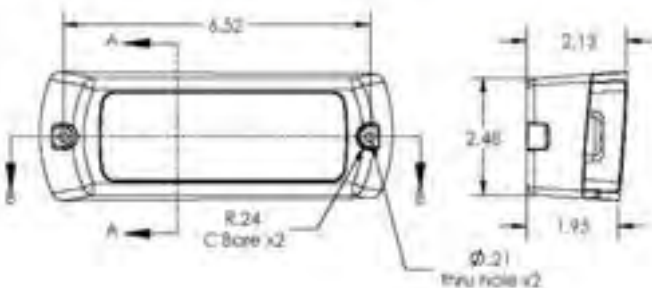


LH52611 LH52612



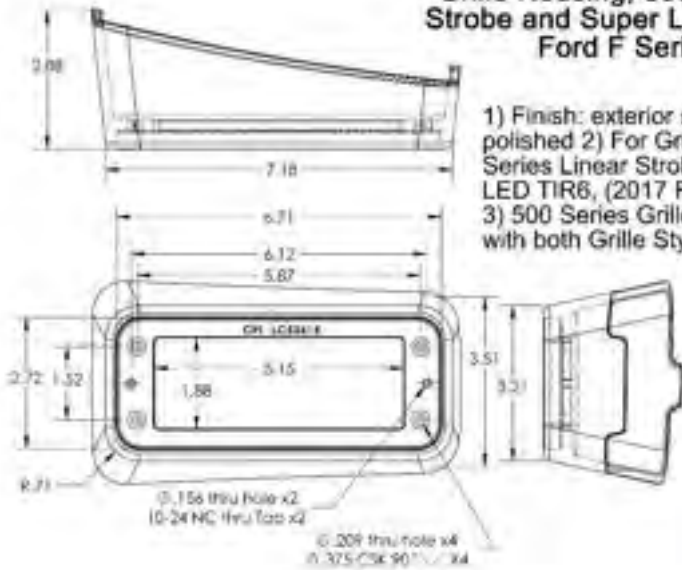
**LH52611-1 & LH52612-1
Grille Mount Lt Hsg Assembly (Whelen
500 series TIR6 Super LED only)
2011 Ford F Series SD**

- 1) Finish: Exterior surfaces are polished
- 2) LH52611-1 Passenger Side shown
LH52612-1 Driver Side is opposite



LH52615 LH52616

LH52615 LH52616
Grille Housing, 500 Series Linear Strobe and Super LED TIR6, (2017 Ford F Series SD)

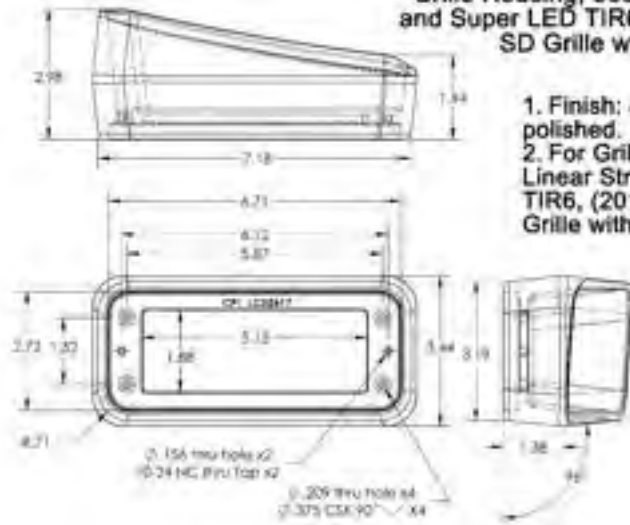


- 1) Finish: exterior surfaces are polished
- 2) For Grille Housing, 500 Series Linear Strobe and Super LED TIR6, (2017 Ford F Series SD)
- 3) 500 Series Grille Housing: works with both Grille Style Options.



LH52617 LH52618

LH52617 LH52618
Grille Housing, 500 Series Linear Strobe and Super LED TIR6, (2017 Ford F Series SD Grille w/o End Vents)

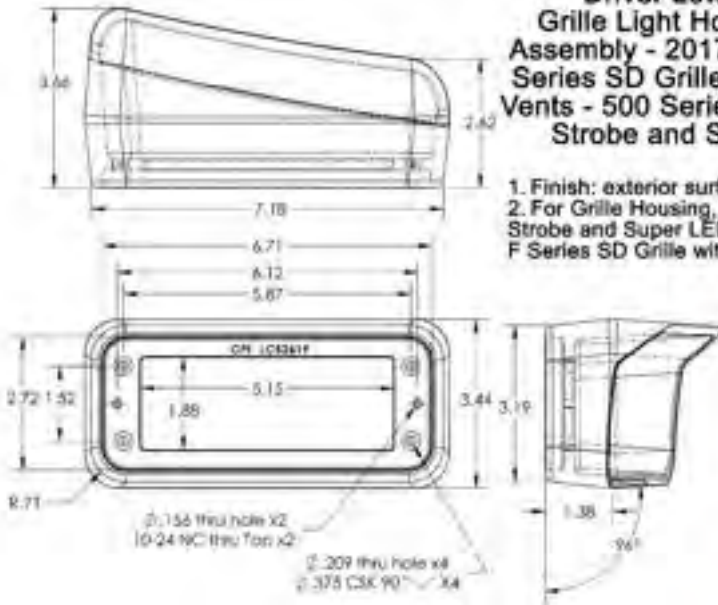


1. Finish: exterior surfaces are polished.
2. For Grille Housing, 500 Series Linear Strobe and Super LED TIR6, (2017 Ford F Series SD Grille without End Vents).



LH52619 LH52620

LH52619 LH52620
 Passenger Upper and
 Driver Lower
 Grille Light Housing
 Assembly - 2017 Ford F
 Series SD Grille w/ End
 Vents - 500 Series Linear
 Strobe and Super

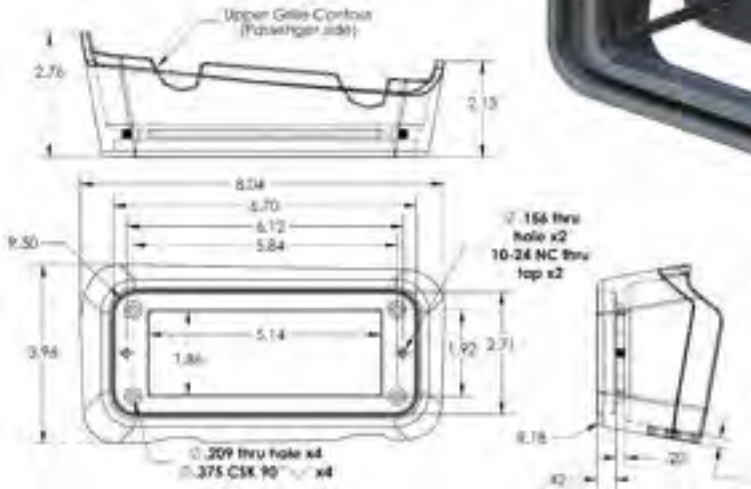


1. Finish: exterior surfaces are polished.
2. For Grille Housing, 500 Series Linear Strobe and Super LED TIR6, (2017 Ford F Series SD Grille with End Vents).

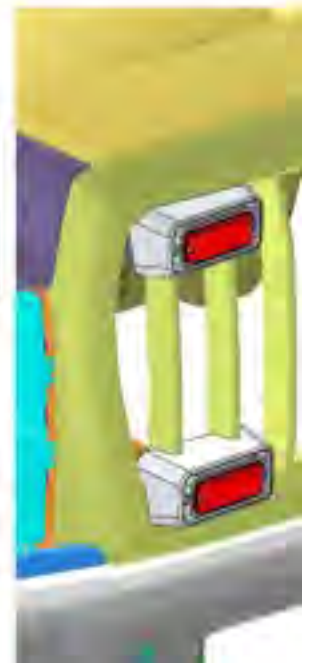


LH52621 LH52622

LH52621 LH52622
 Upper Grille Mnt Light Hsg
 for 2019 International CV (500
 Series Linear Strobe and
 Super LED TIR6)



1. Finish: exterior surfaces are polished.
2. For 2019 International CV (500 Series Linear Strobe and Super LED TIR6)

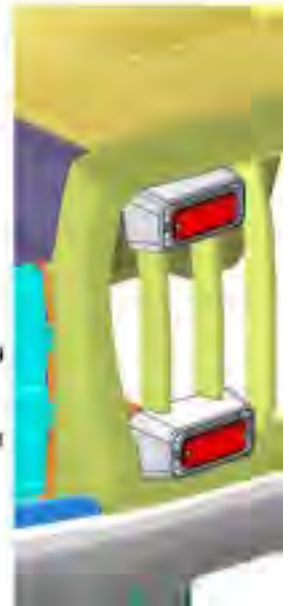


LH52623 LH52624

LH52623 LH52624
 Lower, Grille Mnt Light Hsg
 for 2019 International CV (500
 Series Linear Strobe and
 Super LED TIR6)

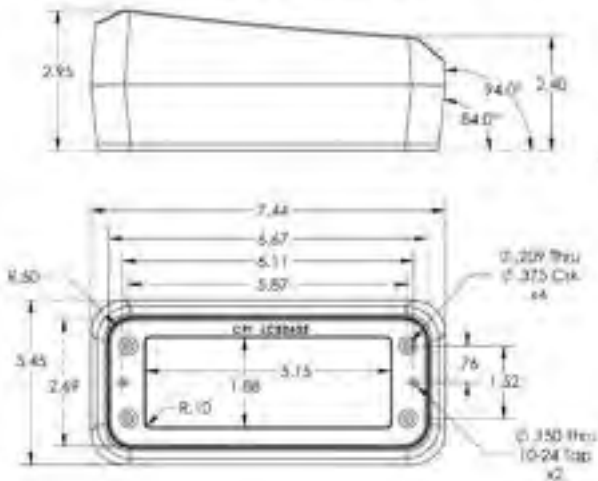


- 1) Finish: exterior surfaces polished.
- 2) For QUAD, 2019 For QUAD, 2019 International CV International CV (500 Series Linear Strobe and Super LED TIR6) (500 Series Linear Strobe and Super LED TIR6)

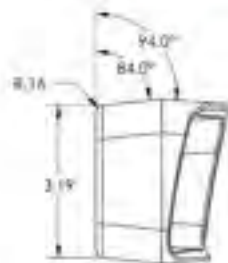


LH52625 LH52626

LH52625 LH52626
 Upper - Grille Lt Hsg - 2020
 Ford F Series SD -
 500 Series Linear Strobe &
 Super LED TIR6

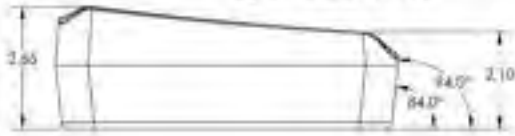


- 1) Finish: (-1) Polished exterior.

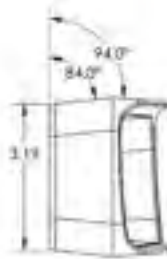
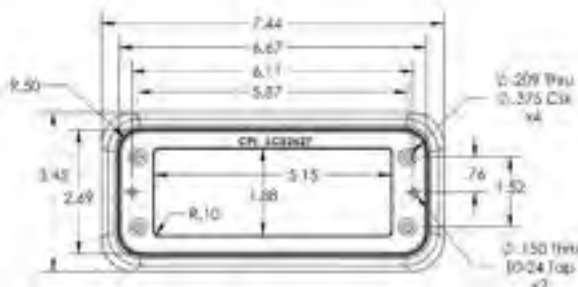


LH52627 LH52628

LH52627 LH52628
 Lower - Grille Lt Hsg - 2020
 Ford F Series SD -
 500 Series Linear Strobe &
 Super LED TIR6



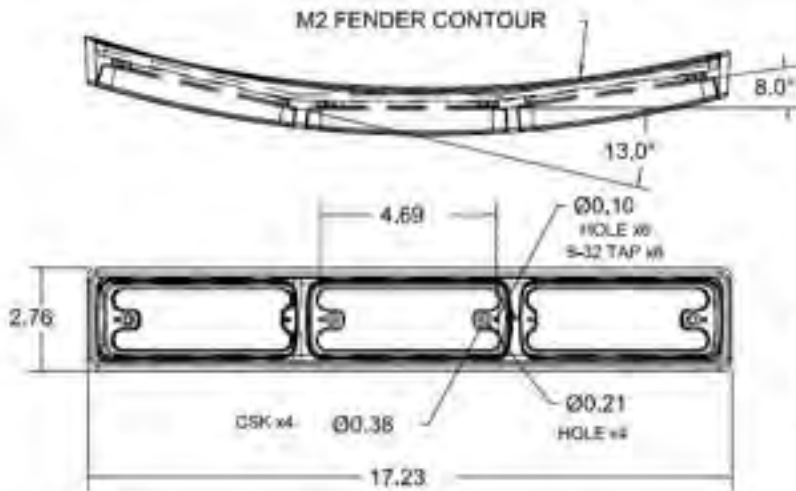
1) Finish: (-1) Polished exterior.



LH52703

LH52703

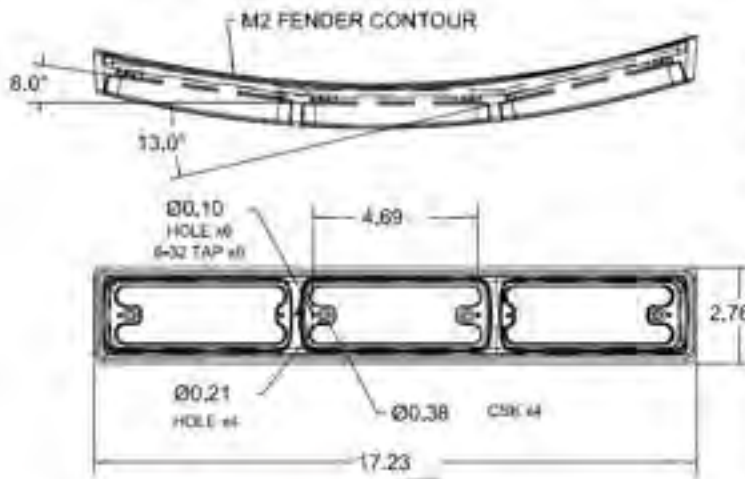
**Triple 500 Series LED
 Intersection Lt Hsg -
 2003-05 Freightliner
 M2 - Driver**



- 1) Finish: All exterior surfaces are bright polished.
- 2) Angle: multiple°
- 3) Total surface mount. No clearance hole in the body required.
- 4) Fits front fender curvature, Under the headlight, of 2003-05 Freightliner M2.



LH52704



LH52704 Triple 500 Series LED Intersection Lt Hsg - 2003-05 Freightliner M2 - Passenger

- 1) Finish: All exterior surfaces are bright polished.
- 2) Angle: multiple*
- 3) Total surface mount. No clearance hole in the body required.
- 4) Fits front fender curvature, Under the headlight, of 2003-05 Freightliner M2.

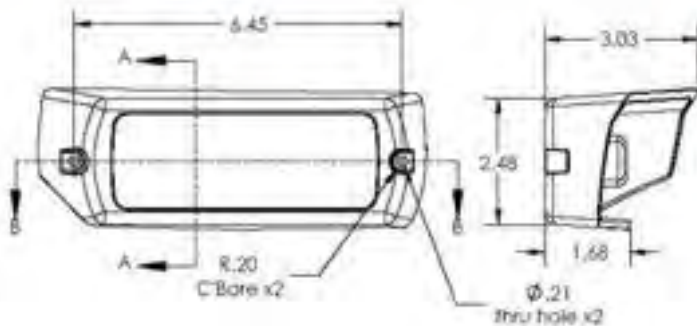


LH52707 LH52708



LH52707-1 & LH52708-1 Intersection Lt Hsg - 15d. (Whelen 500 series TIR6 Super LED only) 2011 Ford F Series SD

- 1) Finish: Exterior surfaces are polished
- 2) LH52707-1 Passenger Side shown
LH52708-1 Driver Side is opposite
- 3) For Large Fender Flare.



LH52709 LH52710



LH52709-1 & LH52710-1
Triple 500 Series, 2014 Sprinter
Under-the-Headlight Housing.

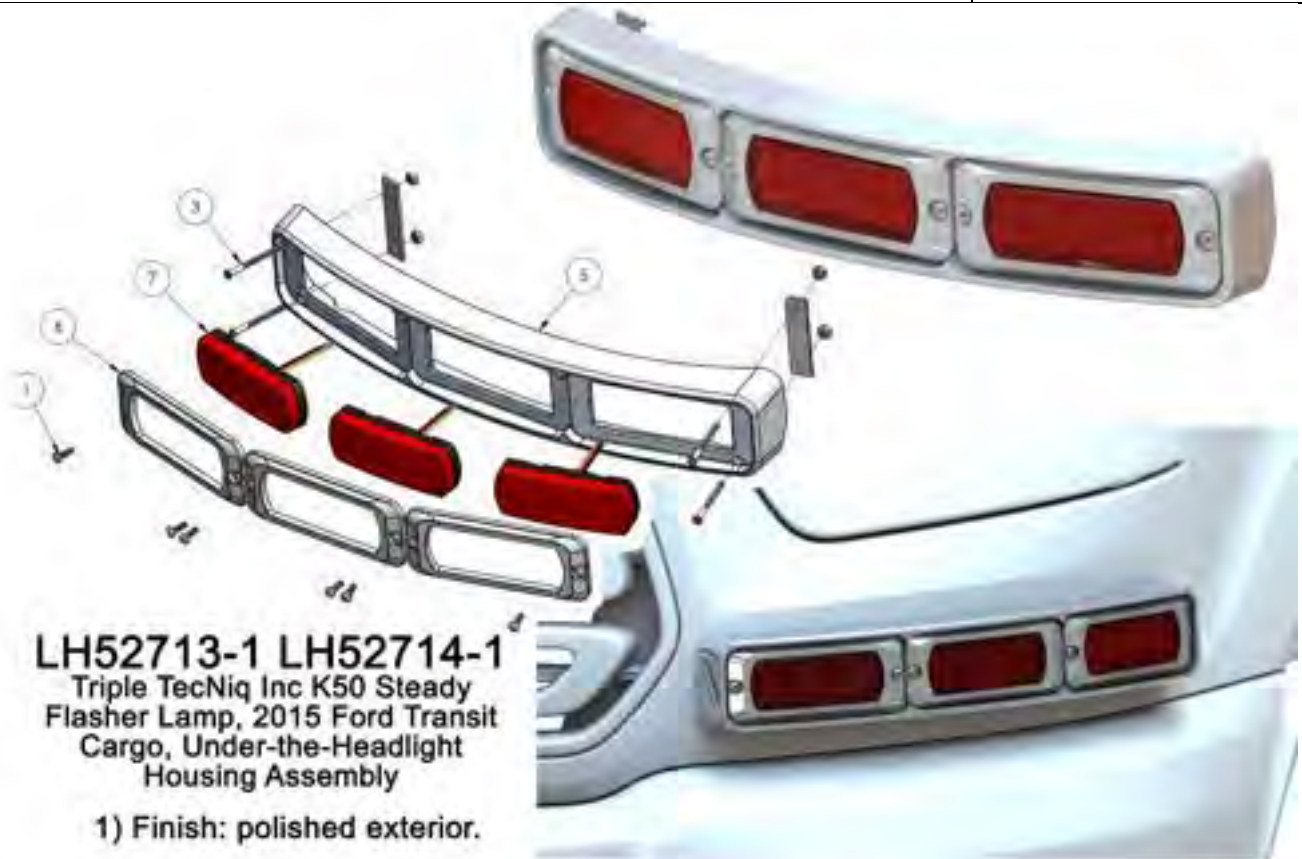
- 1) Finish: Exterior surfaces are polished
- 2) LH52709-1 Driver Side shown
LH52710-1 Passenger Side is opposite

LH52711 LH52712



LH52711-1 & LH52712-1
Triple 500 Series Super LED TIR6,
2015 Ford Transit Cargo,
Under-the-Headlight Housing
Assembly

LH52713 LH52714



LH52713-1 LH52714-1
Triple TecNiq Inc K50 Steady
Flasher Lamp, 2015 Ford Transit
Cargo, Under-the-Headlight
Housing Assembly
1) Finish: polished exterior.

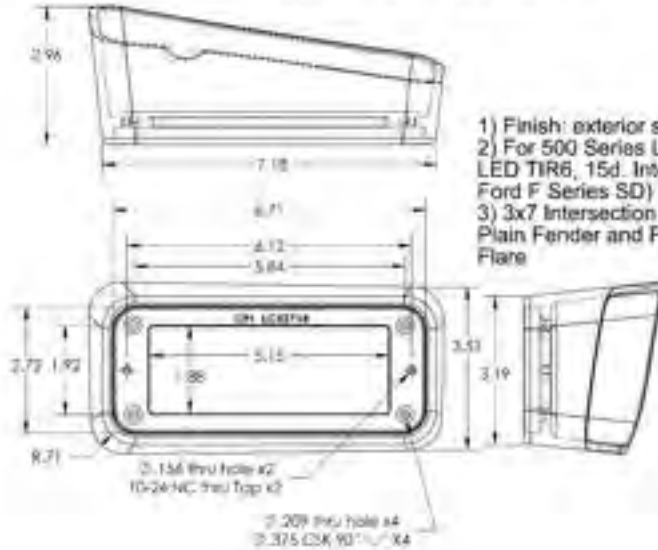
LH52715 LH52716



LH52715-1 LH52716-1
Triple 500 Series Super LED TIR6,
Grille Mount Lt Hsg Assy (2015
Dodge Promaster)
1. Finish: (-1) Polished exterior.

LH52717 LH52718

LH52717-1 LH52718-1
 Housing, 500 Series Linear Strobe and
 Super LED TIR6, 15d. Intersection Lt Hsg (2017 Ford F Series SD)

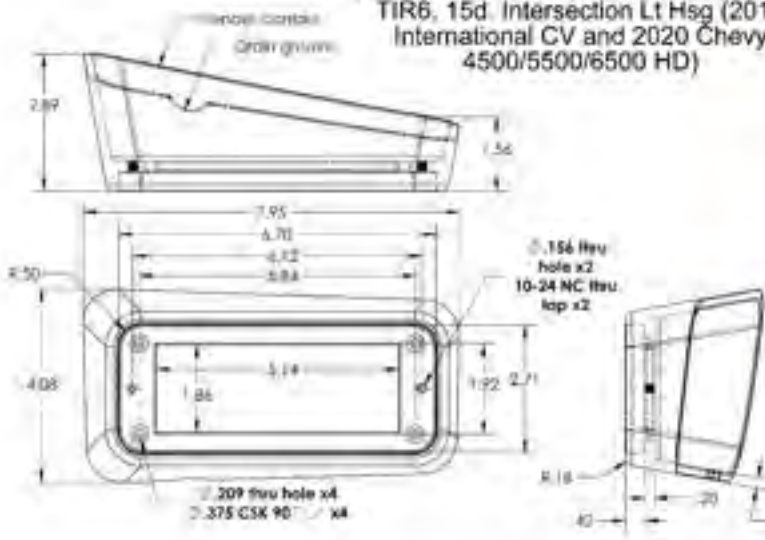


- 1) Finish: exterior surfaces are polished.
- 2) For 500 Series Linear Strobe and Super LED TIR6, 15d. Intersection Lt Hsg (2017 Ford F Series SD)
- 3) 3x7 Intersection Housing: works with Plain Fender and Fender with Large Fender Flare



LH52719 LH52720

LH52719-1 LH52720-1
 500 Series Linear Strobe and Super LED
 TIR6, 15d. Intersection Lt Hsg (2019
 International CV and 2020 Chevy
 4500/5500/6500 HD)



- 1) Finish: exterior surfaces are polished.
- 2) For 500 Series Linear Strobe and Super LED TIR6, 15d. Intersection Lt Hsg (2019 International CV and 2020 Chevy 4500/5500/6500 HD)



5" x 8" Light Housings

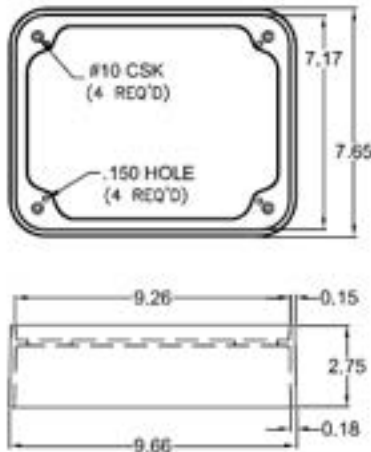
LH58201	
	<div style="text-align: center;"> <h3>LH58201</h3> <h4>Light Housing (508 Series)</h4> </div> <ol style="list-style-type: none"> 1) Finish: All exterior surfaces are bright polished. 2) Angle: 0° 3) Total surface mount. No clearance hole in the body required. 4) Fits halogen or linear strobe. 5) Fits cab curvature of 150" radius.

7" x 9" Light Housings

LH79101	
	<div style="text-align: center;"> <h3>LH79101</h3> <h4>Light Housing (7" x 9" Light)</h4> </div> <ol style="list-style-type: none"> 1) Finish: All exterior surfaces are bright polished. 2) Angle: 0° 3) Total surface mount. No clearance hole in the body required.

LH79102	
	<div style="text-align: center;"> <h3>LH79102</h3> <h4>Light Housing (7" x 9" Light)</h4> </div> <ol style="list-style-type: none"> 1) Finish: All exterior surfaces are bright polished. 2) Angle: 13° 3) Total surface mount. No clearance hole in the body required.

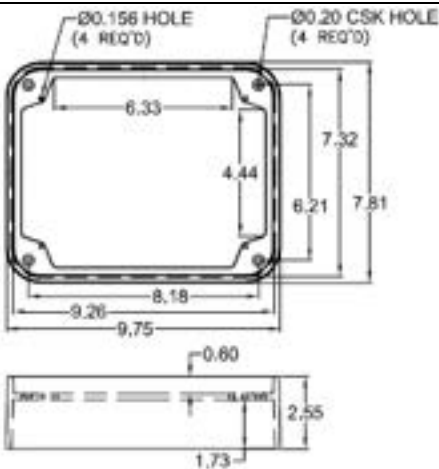
LH79103



LH79103 Light Housing (7" x 9" Light)

- 1) Finish: All exterior surfaces are bright polished.
- 2) Angle: 0°
- 3) Total surface mount. No clearance hole in the body required.

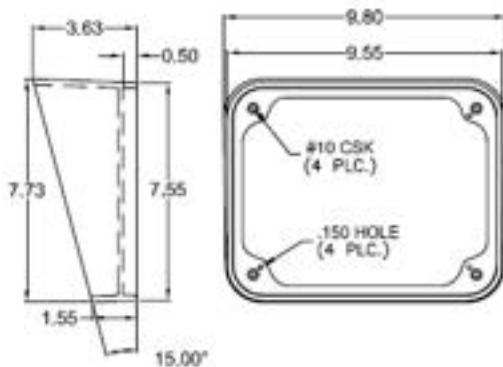
LH79104



LH79104 Light Housing (7" x 9" Light)

- 1) Finish: All exterior surfaces are bright polished.
- 2) Angle: 0°
- 3) Total surface mount. No clearance hole in the body required.

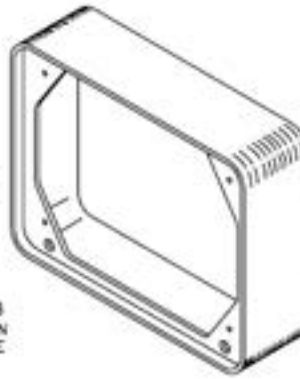
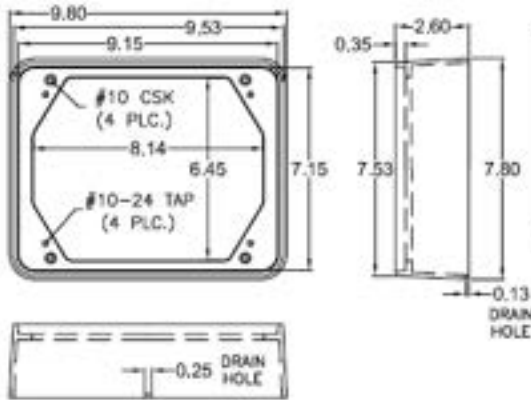
LH79105



LH79105 Light Housing (7" x 9" Light)

- 1) Finish: All exterior surfaces are bright polished.
- 2) Angle: 15°
- 3) Total surface mount. No clearance hole in the body required.

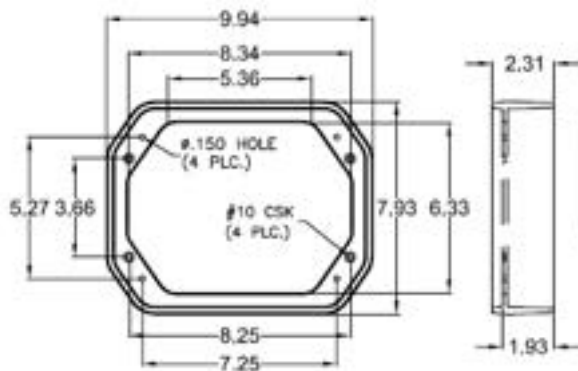
LH79106



LH79106 Light Housing (Weldon 7" x 9" Light)

- 1) Finish: All exterior surfaces are bright polished.
- 2) Angle: 0°

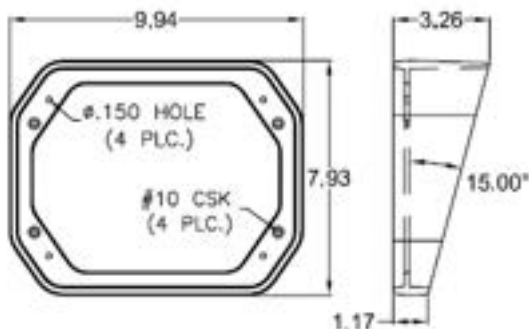
LH79107



LH79107 Light Housing (7" x 9" Code-3 Light)

- 1) Finish: All exterior surfaces are bright polished.
- 2) Angle: 0°
- 3) Total surface mount. No clearance hole in the body required.

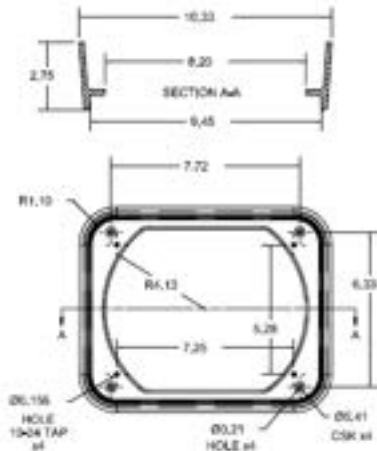
LH79108



LH79108 Light Housing (7" x 9" Code-3 Light)

- 1) Finish: All exterior surfaces are bright polished.
- 2) Angle: 15°
- 3) Total surface mount. No clearance hole in the body required.

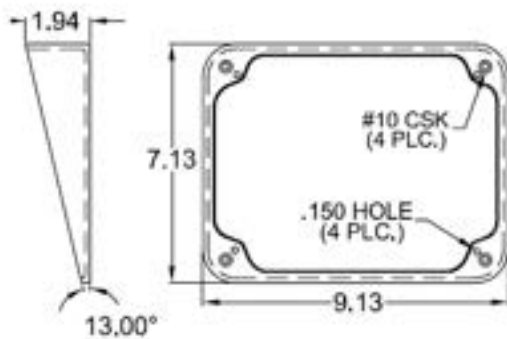
LH79110



LH79110 Light Housing (7" x 9" Code-3 Light)

- 1) Finish: All exterior surfaces are bright polished.
- 2) Angle: 0°
- 3) Total surface mount. No clearance hole in the body required.

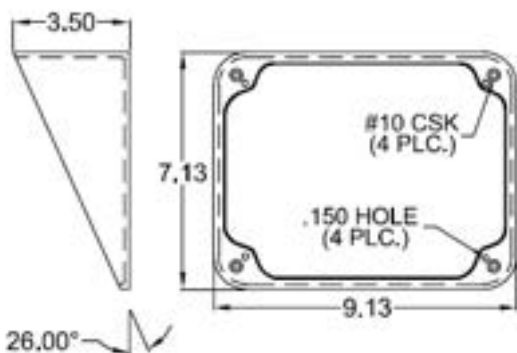
LH79201



LH79201 Light Housing (7" x 9" Light)

- 1) Finish: All exterior surfaces are bright polished.
- 2) Angle: 13°

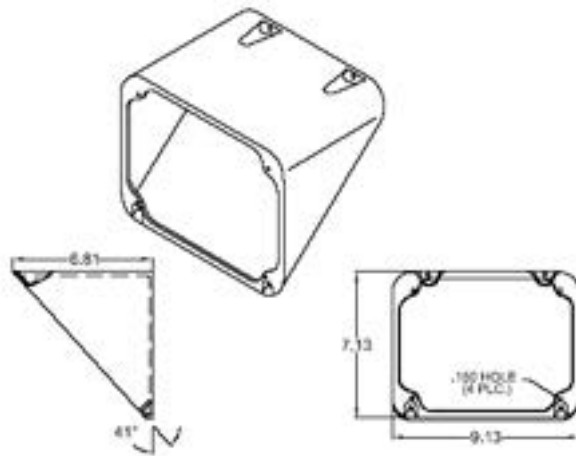
LH79202



LH79202 Light Housing (7" x 9" Light)

- 1) Finish: All exterior surfaces are bright polished.
- 2) Angle: 26°

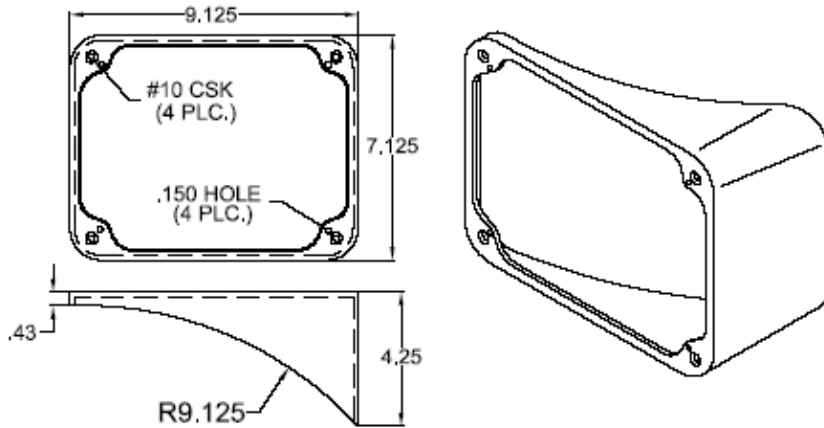
LH79205



LH79205 Light Housing (7" x 9" Light)

- 1) Finish: All exterior surfaces are bright polished.
- 2) Angle: 0°

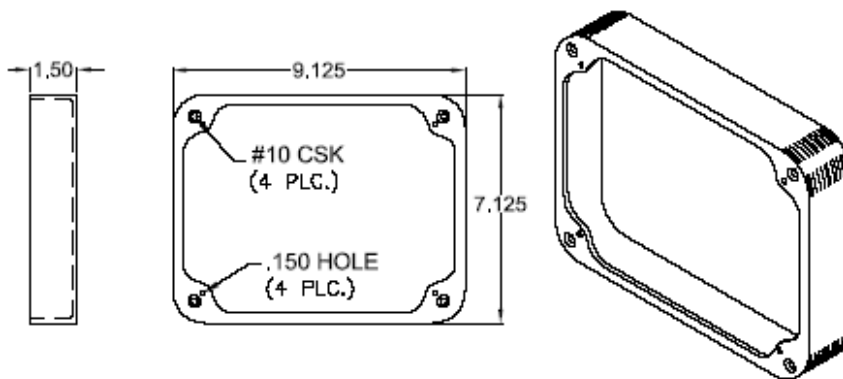
LH79207



LH79207 Light Housing (7" x 9" Light)

- 1) Finish: All exterior surfaces are bright polished or 120 grit ground.
- 2) Radius: 9 1/8"

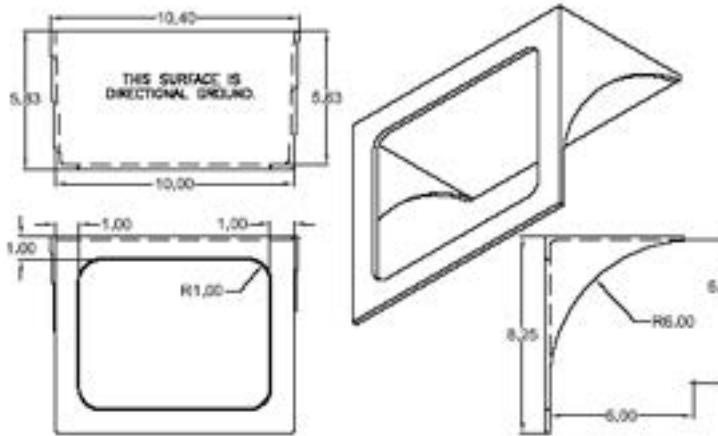
LH79209



LH79209 Light Housing (7" x 9" Light)

- 1) Finish: All exterior surfaces are bright polished or 120 grit ground.
- 2) Angle: 0°

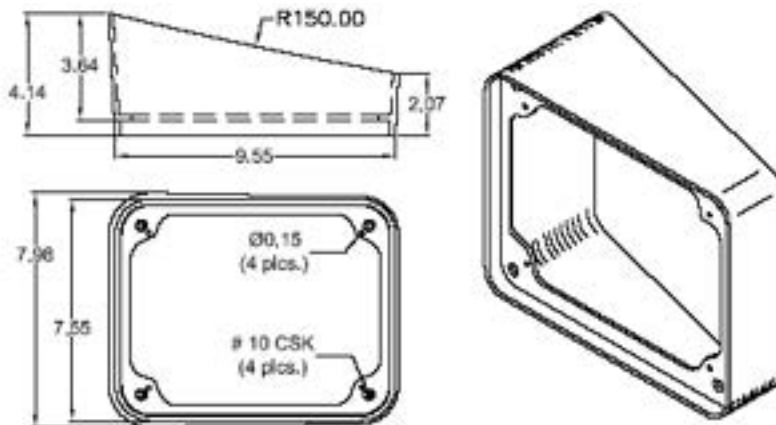
LH79210



LH79210 Light Housing (7" x 9" Light)

- 1) Finish: All exterior surfaces are bright polished or 120 grit ground.
- 2) Mounts to the top 6" radius rail of the module body.

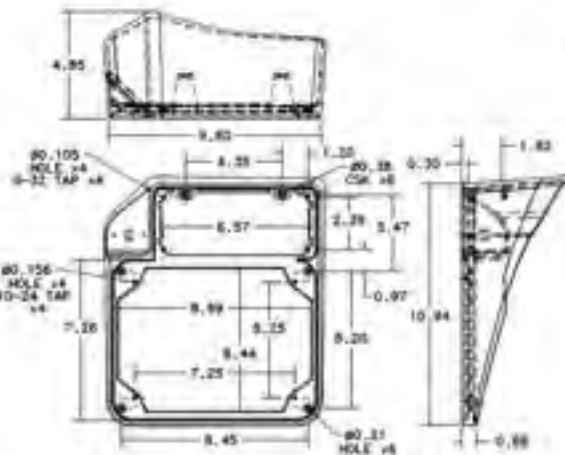
LH79211



LH79211 Light Housing (7" x 9" Light)

- 1) Finish: All exterior surfaces are bright polished or 120 grit ground.
- 2) Mounts to the top 150" radius rail of the module body.

LH79215 LH79216

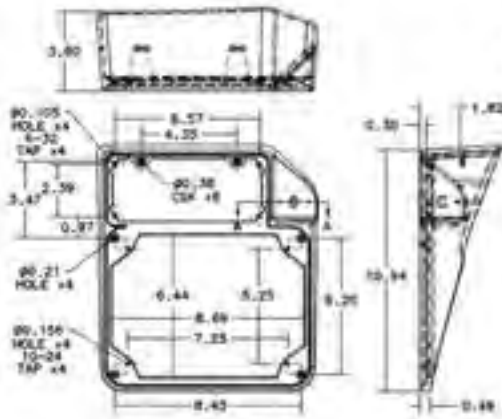


LH79215 and LH79216 Front 7x9 3x7 Marker Light Housing for 2008 Dodge Sprinter



- 1) Finish: polished exterior.
- 2) LH79215 Driver Side.
LH79216 Passenger Side.
- 3) Mounts at top of

LH79217 LH79218

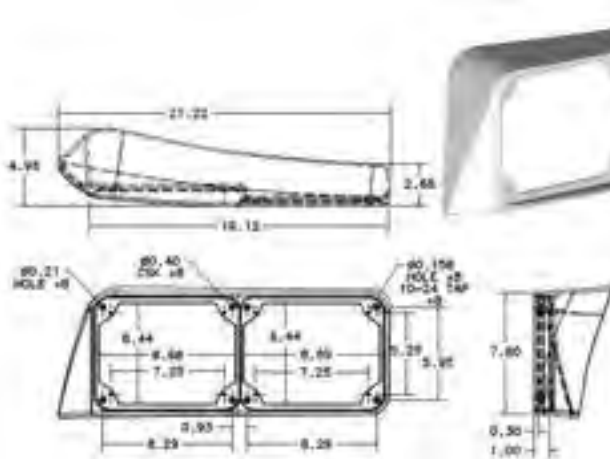


**LH79217 and
LH79218**
Rear 7x9 3x7 Marker
Light Housing for 2008
Dodge Sprinter



- 1) Finish: polished exterior.
- 2) LH79217 Driver Side.
LH79218 Passenger Side.
- 3) Mounts at top of

LH79219 LH79220



**LH79219 and
LH79220**
Rear 7x9 & 7x9 Light
Housings for 2008
Dodge Sprinter

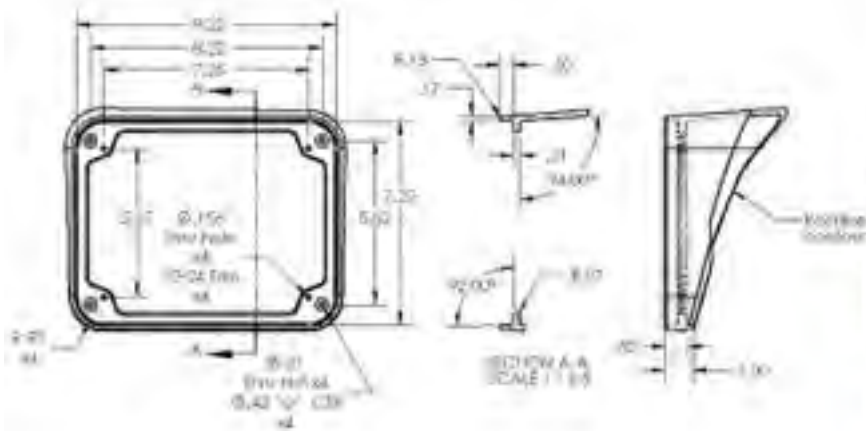


- 1) Finish: polished exterior.
- 2) LH79219 Driver Side.
LH79220 Passenger Side.
- 3) Mounts at top of

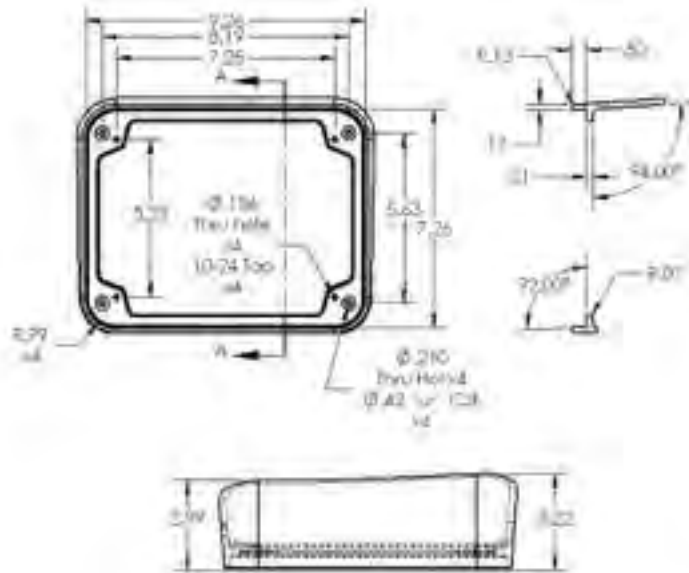
LH79221 LH79222

LH79221 & LH79222 Front 7x9 Light Housings (2008 Dodge Sprinter)

- 1) Finish: Exterior Surface Polished
- 2) LH79221 Front Driver Side Shown
- 3) LH79222 Front Passenger Side Opposite



LH79223 LH79224

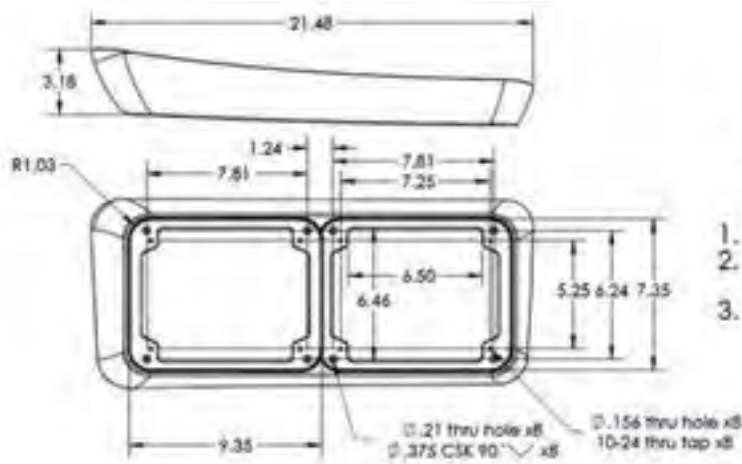


LH79223 & LH79224 Rear 7x9 Light Housings (2008 Dodge Sprinter)

- 1) Finish: Exterior Surface Polished
- 2) LH79223 Rear Driver Side Shown
- 3) LH79224 Rear Passenger Side Opposite



LH79225 LH79226



LH79225-1 & LH79226-1 Rear 7x9 7x9 Light Housing (2015 Ford Transit Cargo Van - High Roof)

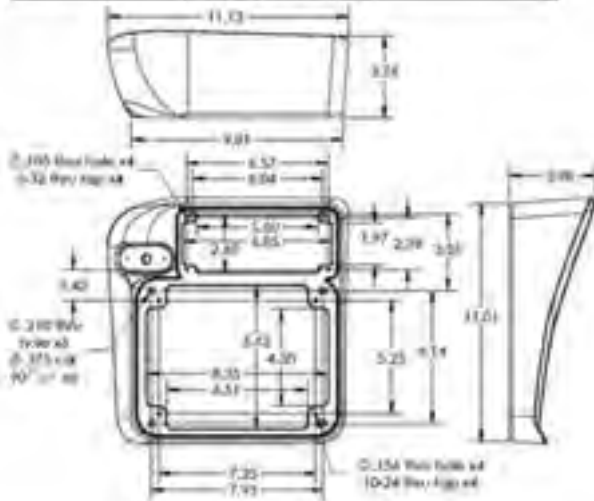
1. Finish: exterior is polished.
 2. LH79225-1 Driver side (shown).
 3. LH79226-1 Passenger side is opposite.
- For mounting Dual 7x9 Lights on rear doors of 2015 Ford Transit Cargo Van - High Roof).



LH79227 LH79228

1. Finish: polished exterior surfaces.
2. For **High Roof** only, 2015 Ford Transit Cargo Van.
3. Combination 7x9 3x7 & Marker Light Housings.

LH79227-1	Driver - Front (shown) Passenger - Rear (shown)
LH79228-1	Passenger - Front Driver - Rear



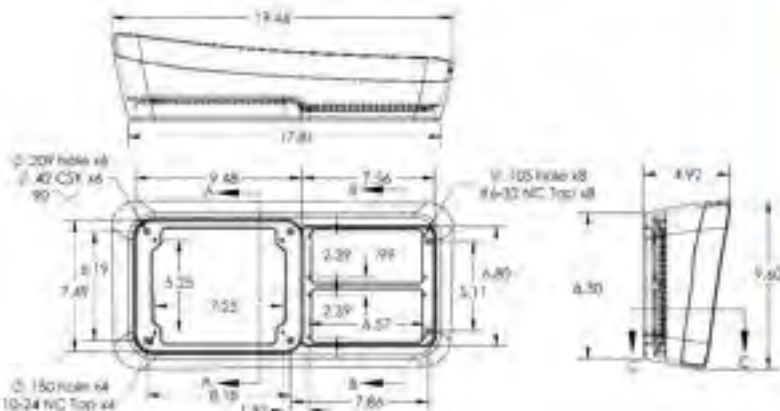
LH79227-1 & LH79228-1 Front/Side and Passenger - Rear/Side 7x9 3x7 & Marker Light Housing (2015 Ford Transit Cargo Van - High Roof)



LH79229 LH79230

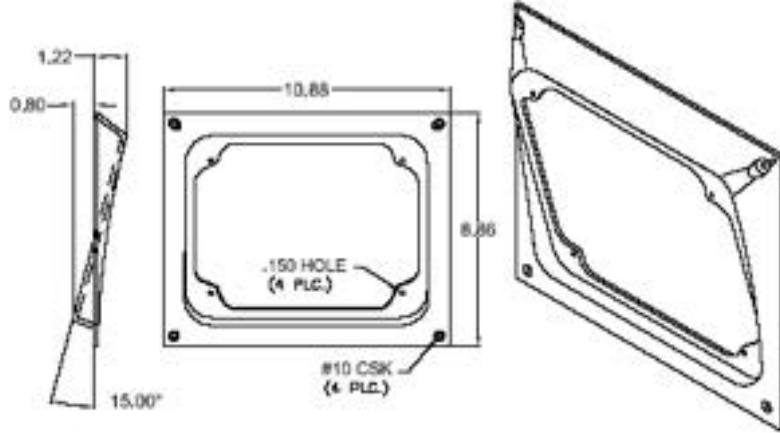


LH79229-1 LH79230-1 High Roof, Rear Light Housing: Single 900 Light and two 700 Lights



1. Application: Driver Side, High Roof, Rear Light Housing: Single 900 7 x 9 Light and two 700 Scenes, LED or Halogen 3 x 7 Lights (2015 Ford Transit Cargo Van).
2. Finish: polished exterior.

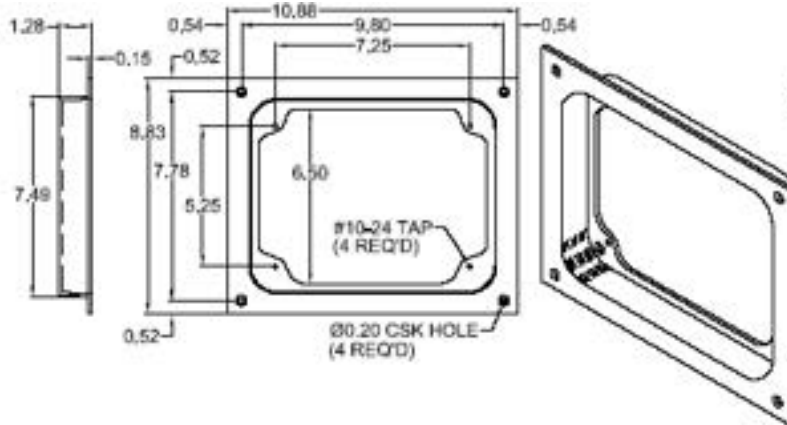
LH79301



LH79301 "Half-in" Light Housing (7" x 9" Light)

- 1) Finish: All exterior surfaces are bright polished or 120 grit ground.
- 2) Angle: 15°

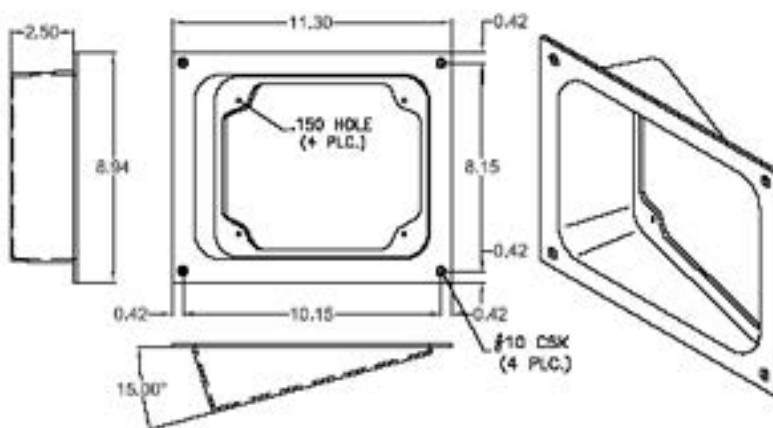
LH79302



LH79302 Recessed Light Housing (7" x 9" Light)

- 1) Finish: All exterior surfaces are bright polished or 120 grit ground.
- 2) Angle: 0°
- 3) Available with or without Flange mounting holes (customer please specify).

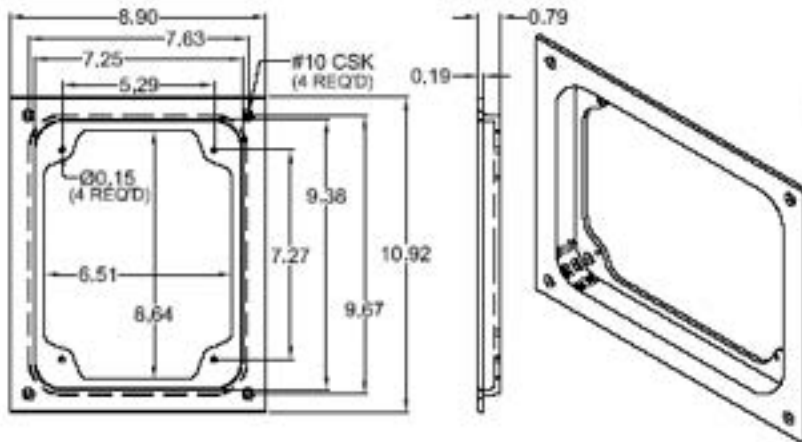
LH79304



LH79304 Recessed Light Housing (7" x 9" Light)

- 1) Finish; All exterior surfaces are bright polished or 120 grit ground.
- 2) Angle: 15°
- 3) Available with or without Flange mounting holes (customer please specify).
- 4) Use as an Intersection Light Housing.

LH79311

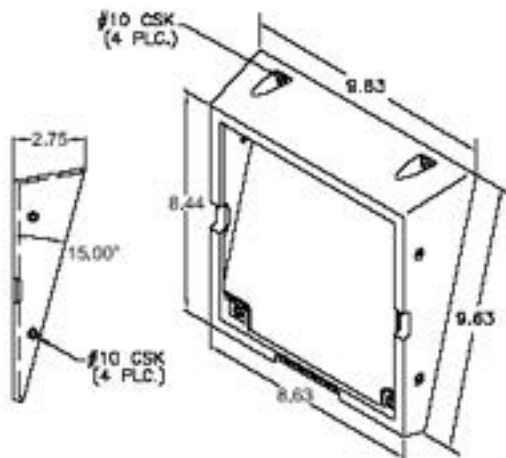


LH79311 Recessed Light Housing (7" x 9" Light)

- 1) Finish: All exterior surfaces are bright polished.
- 2) Angle: 0°
- 3) Available with or without Flange mounting holes (customer please specify).

Misc. Lights

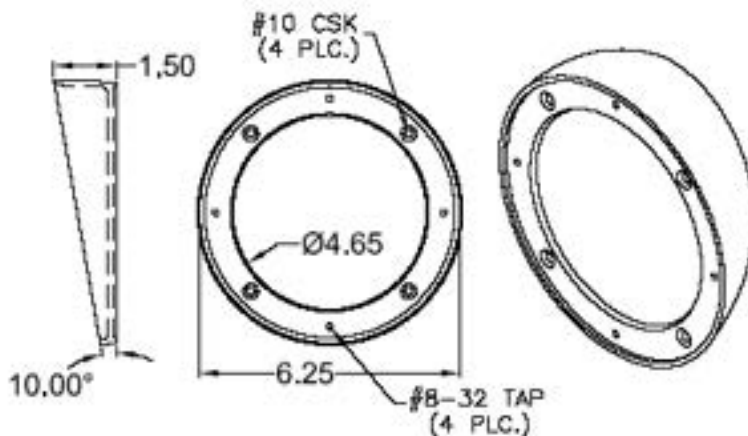
LH90201



LH90201 Light Trim GE 500 watt Quartz Light

- 1) Finish: All exterior surfaces are bright polished.
- 2) Angle: 0°

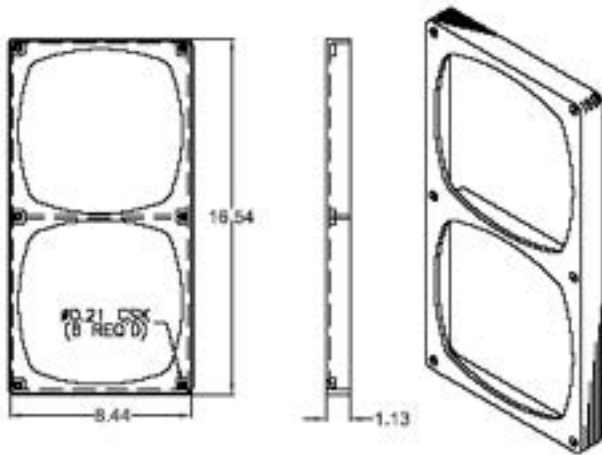
LH90301



LH90301 Light Housing (Betts B70A Light)

- 1) Finish: All exterior surfaces are bright polished or 120 grit ground.
- 2) Angle: 10°

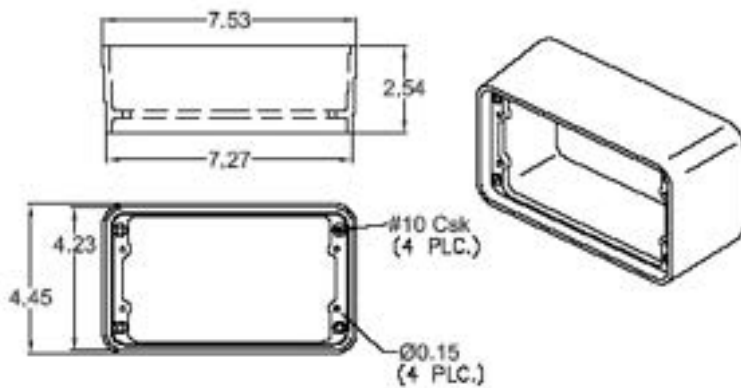
LH90405



LH90405 Double Light Trim Cat's Eye CE-600

- 1) Finish: all exterior surfaces are bright polished or 120 grit ground.
- 2) Angle: 0°
- 3) Function: provides an aesthetic trim where a two light cluster is to be mounted.

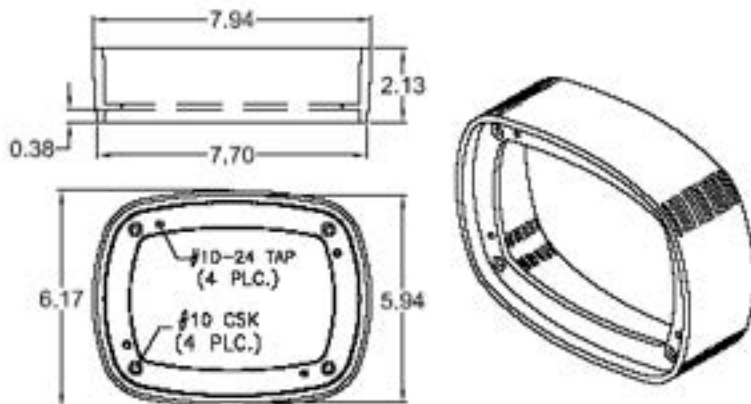
LH90504



LH90504 Light Housing Code-3 Oscillator

- 1) Finish: All exterior surfaces are bright polished.
- 2) Angle: 0°
- 3) Total Surface Mount, No clearance hole in the body required.

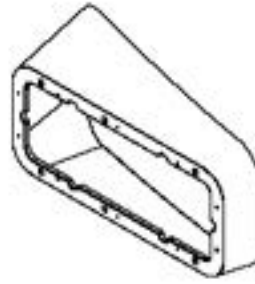
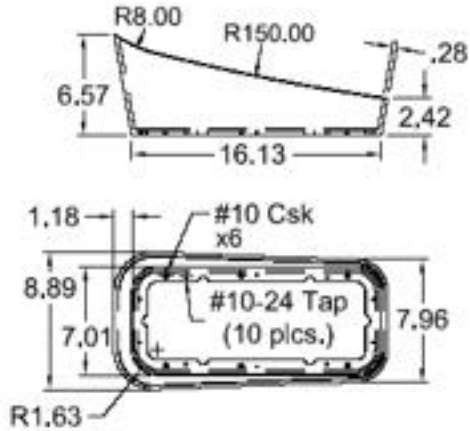
LH90603



LH90603 Light Housing Federal Signal GS2F Light

- 1) Finish: All exterior surfaces are bright polished or 120 grit ground.
- 2) Angle: 0°
- 3) Total surface mount. No clearance hole in the body required.

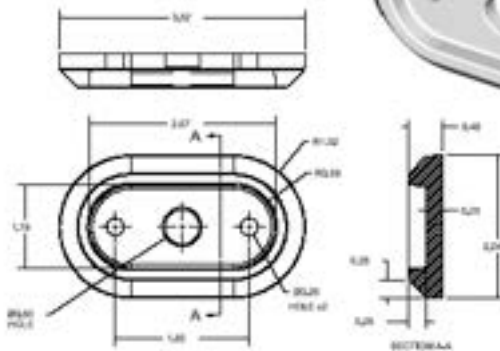
LH90902



LH90902 Light Housing KD Lamp Headlight

- 1) Finish: All exterior surfaces are bright polished or 120 grit ground.
- 2) Angle: 0°
- 3) Function: Mounts the light to a 150" radius Cab surface.
- 4) Total Surface Mount. No clearance hole in the body required.

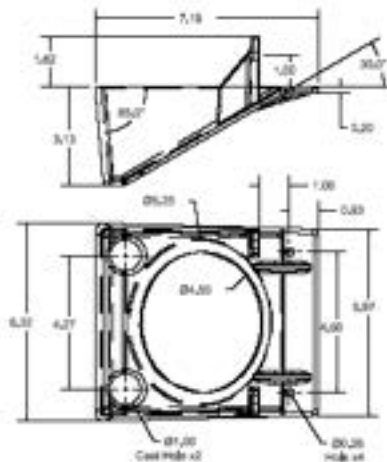
LH91102



LH91102 Marker Light Housing - Weldon C9186 LED

- 1) Finish: All exterior surfaces are bright polished.
- 2) Angle: 0°

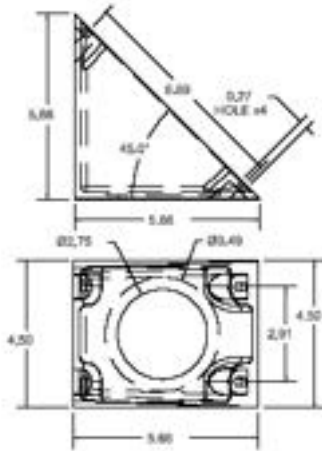
LH91201



LH91201 UnderBody Light Housing

- 1) Finish: ball-burnished.
- 2) Angle: 30°

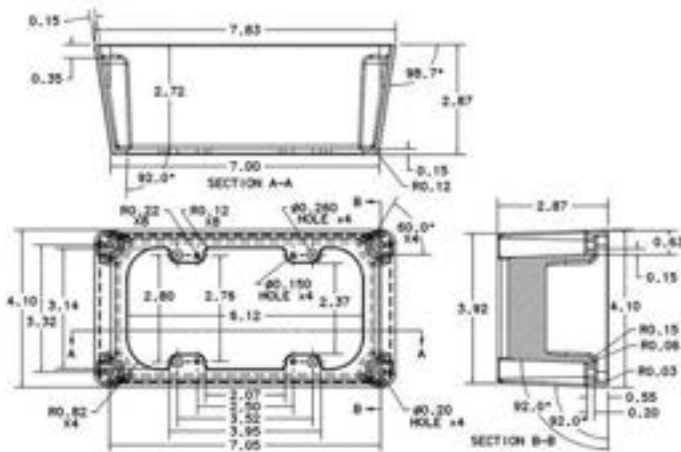
LH91203



LH91203 Tank Marker Light Bracket

- 1) Finish: All exterior surfaces are bright polished.
- 2) Angle: 45°

LH91401

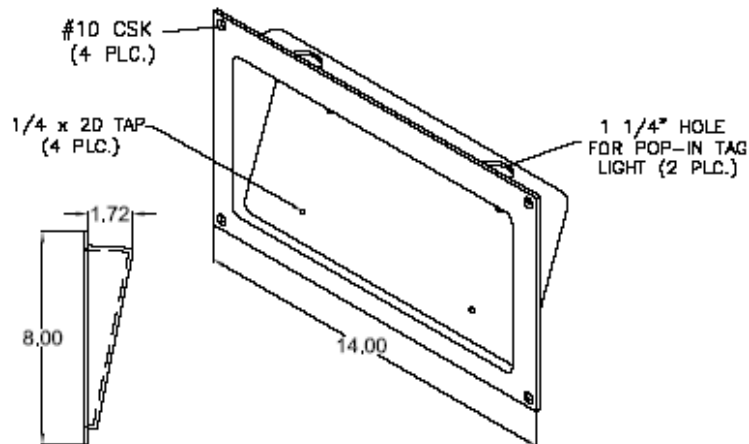


LH91401 Surface Mount Light Housing

- 1) Finish: Polished exterior.

License Plate Holders

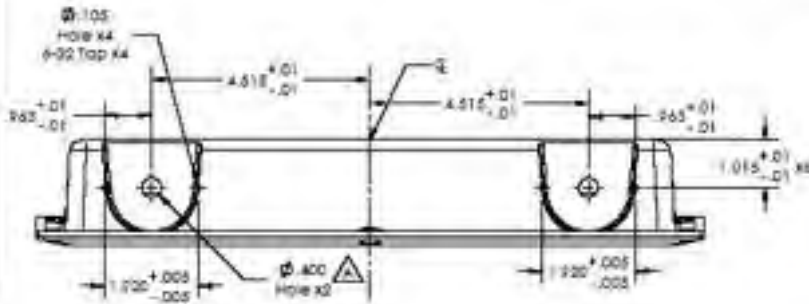
LP0002



LP0002 License Plate Holder

- 1) Finish; Flange is bright polished.
- 2) Designed to compliment light housings #C30012 and C30013.

LP0002-C

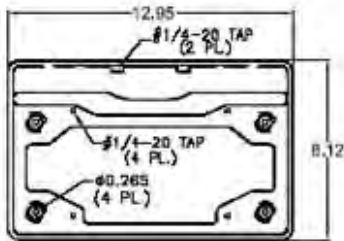


LP0002-C
License Plate Holder w/
LED Lights

- 1) Finish: Chromed
- 2) -C drilling option for using 2 LED lights (WL0501 type)



LP0004



LP0004
License Plate
Holder

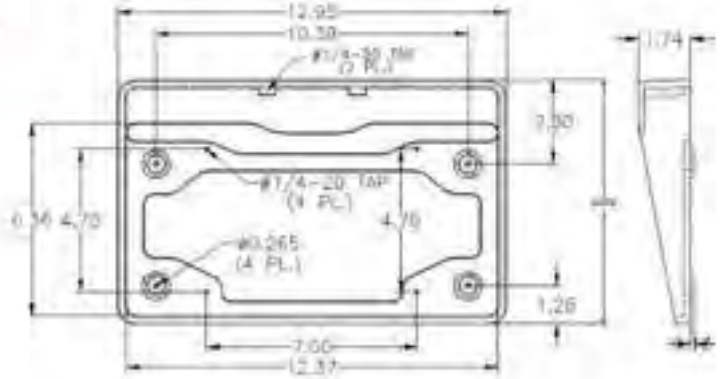
- 1) Finish: Flange is bright polished.
- 2) Uses Truck-Lite Light for illumination (provided).
- 3) Concealed mounting hardware.

LP0004-B

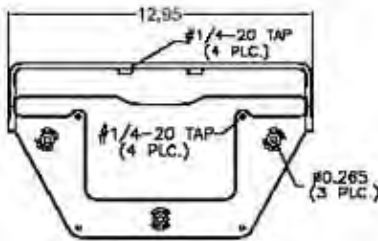


LP0004-B
License Plate Holder w/
LED Light

- 1) Finish: Flange is bright polished.
- 2) Supplied w/ LED light (WL0501 type), LC0011 adapter plate for LED, and mounting screws



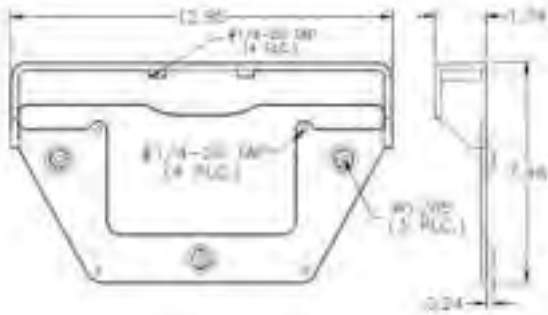
LP0005



LP0005
License Plate
Holder

- 1) Finish: Flange is bright polished,
- 2) Uses Truck-Lite Light for illumination (provided),
- 3) Concealed mounting hardware.

LP0005-C

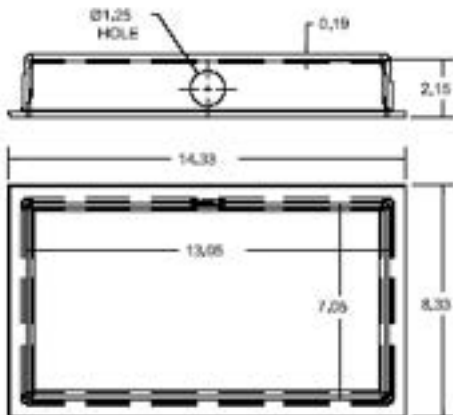


LP0005-C License Plate Holder w/ LED Light



- 1) Finish: Flange is bright polished.
- 2) Supplied w/ LED light (WL0501 type), LC0011 adapter plate for LED, and mounting screws.

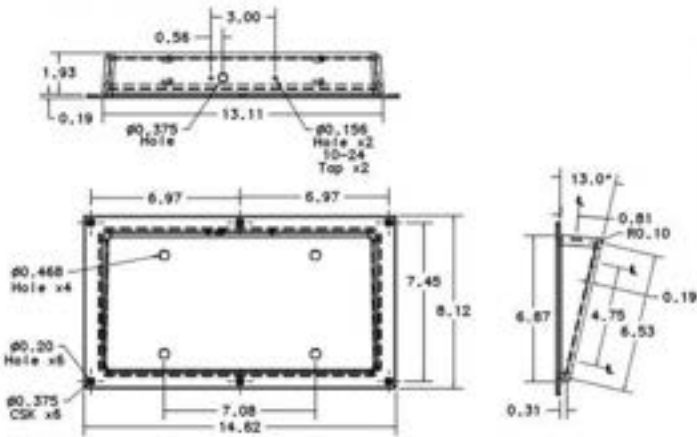
LP0007



LP0007 License Plate Holder

- 1) Finish: ball-burnished.
- 2) Installs by being welded from the backside

LP0009



LP0009 License Plate Holder

1) Finish: Polished exterior.



LP0013



LP0013-1 License Plate Hood and Frame Assembly, with WL0501 type clear LED Light

- 1) Finish: Ball-burnished w/ top portion polished or ball-burnished.
- 2) Sent with WL0501 type clear LED Light

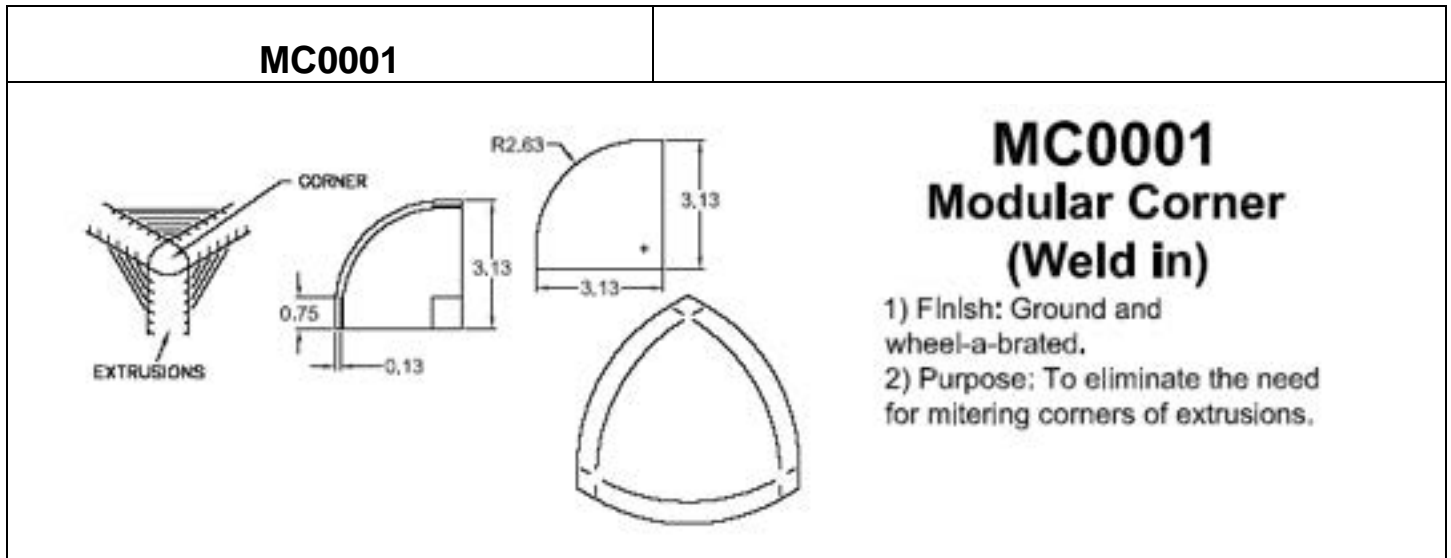


LP0014

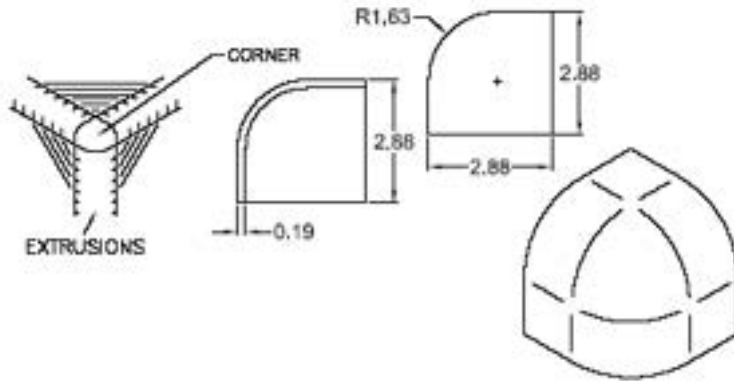


Modular Corners

MC0001



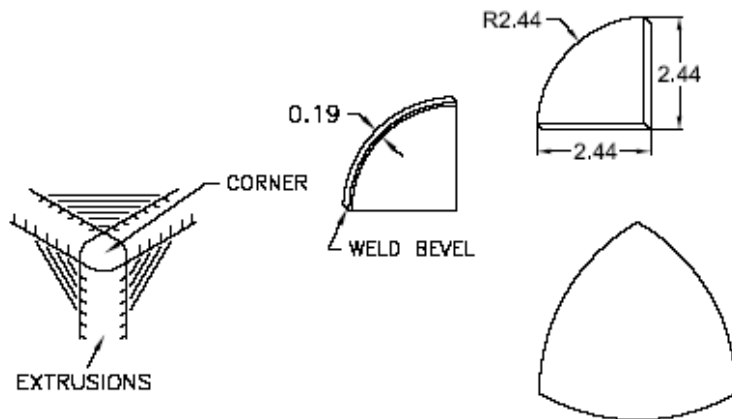
MC0003



MC0003 Modular Corner (Weld In)

- 1) Finish: Ground and wheel-a-brated.
- 2) Purpose: To eliminate the need for mitering corners of extrusions.

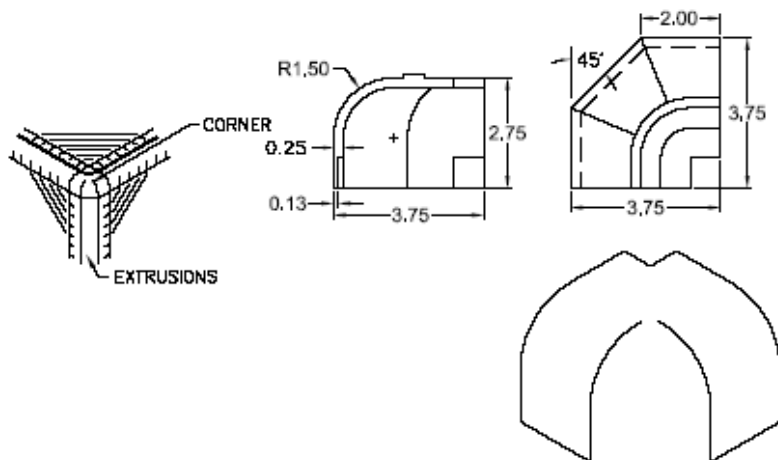
MC0005



MC0005 Modular Corner (Weld in)

- 1) Finish: Ground and wheel-a-brated.
- 2) Purpose: To eliminate the need for mitering corners of extrusions.

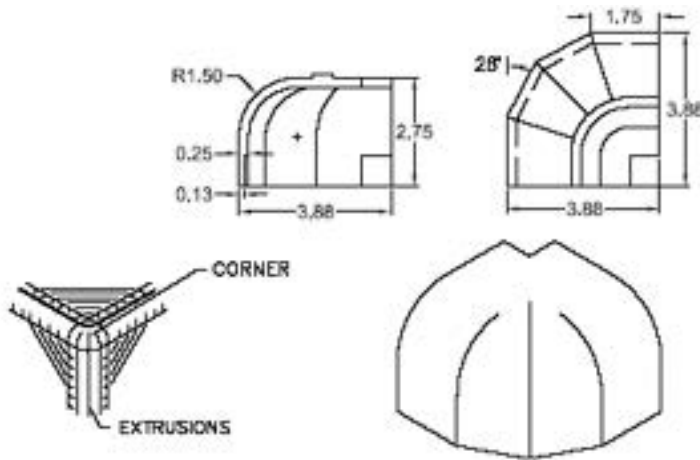
MC0010



MC0010 Modular Corner (Weld in)

- 1) Finish: Ground and wheel-a-brated.
- 2) Purpose: To eliminate the need for mitering corners of extrusions.

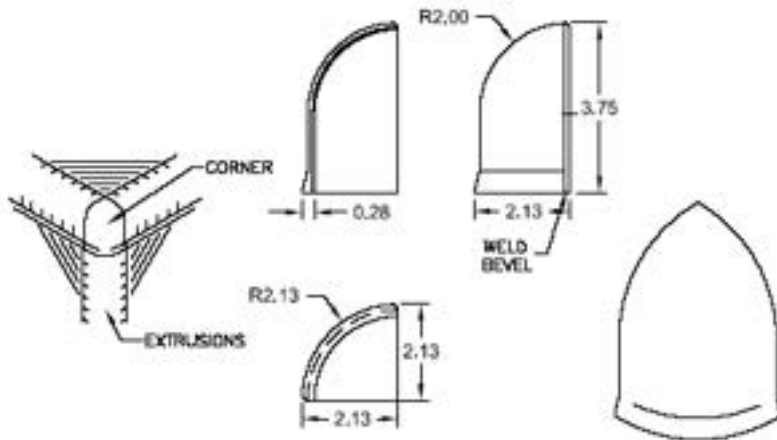
MC0011



MC0011 Modular Corner (Weld In)

- 1) Finish: Ground and wheel-a-brated.
- 2) Purpose: To eliminate the need for mitering corners of extrusions.

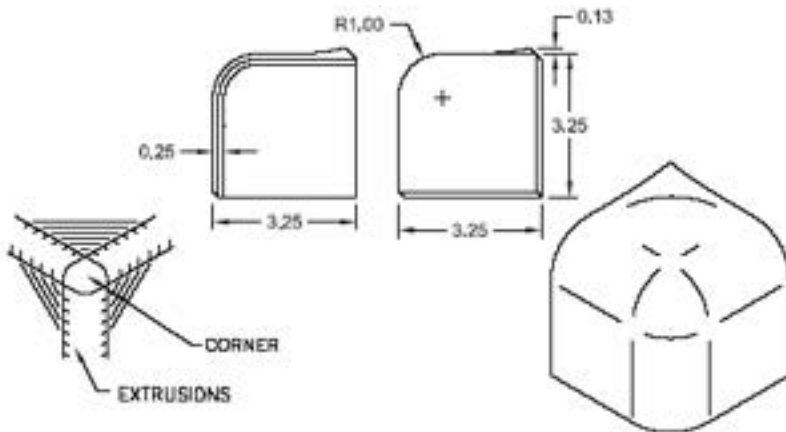
MC0017



MC0017 Modular Corner (Weld in)

- 1) Finish: Ground and wheel-a-brated.
- 2) Purpose: To eliminate the need for mitering corners of extrusions.

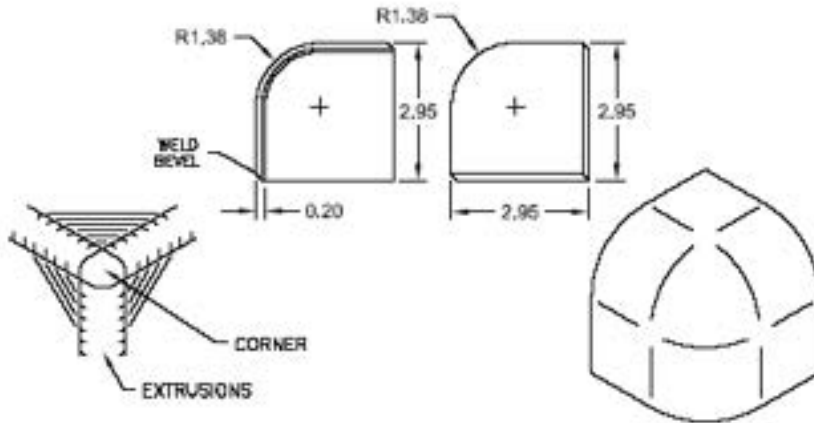
MC0021



MC0021 Modular Corner (Weld in)

- 1) Finish: Ground and wheel-a-brated.
- 2) Purpose: To eliminate the need for mitering corners of extrusions.

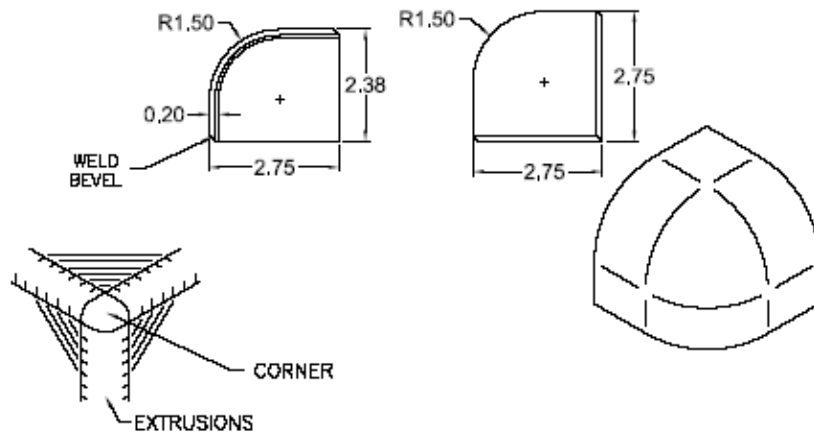
MC0023



MC0023 Modular Corner (Weld In)

- 1) Finish: Ground and wheel-a-brated.
- 2) Purpose: To eliminate the need for mitering corners of extrusions.

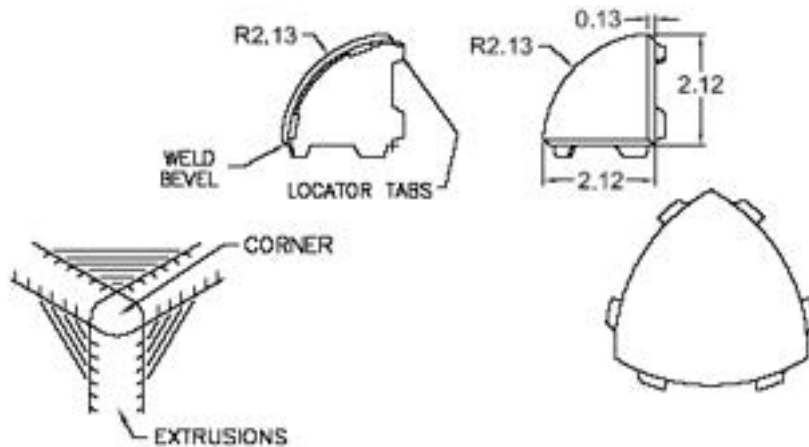
MC0026



MC0026 Modular Corner (Weld in)

- 1) Finish: Ground and wheel-a-brated.
- 2) Purpose: to eliminate the need for mitering corners of extrusions.

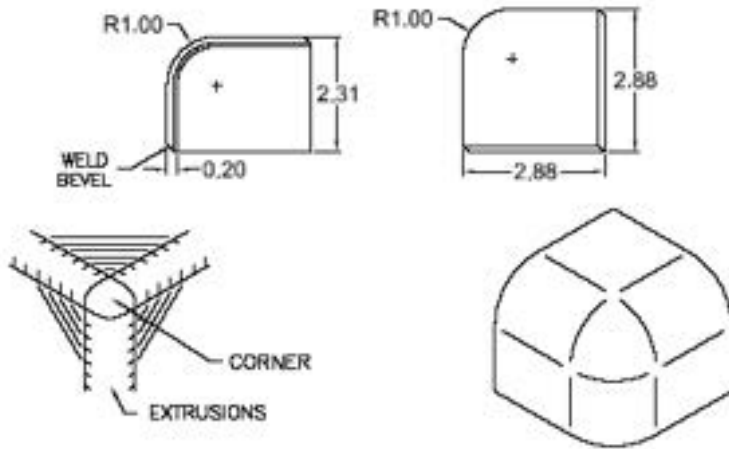
MC0027



MC0027 Modular Corner (Weld in)

- 1) Finish: Ground and wheel-a-brated.
- 2) Purpose: to eliminate the need for mitering corners of extrusions.

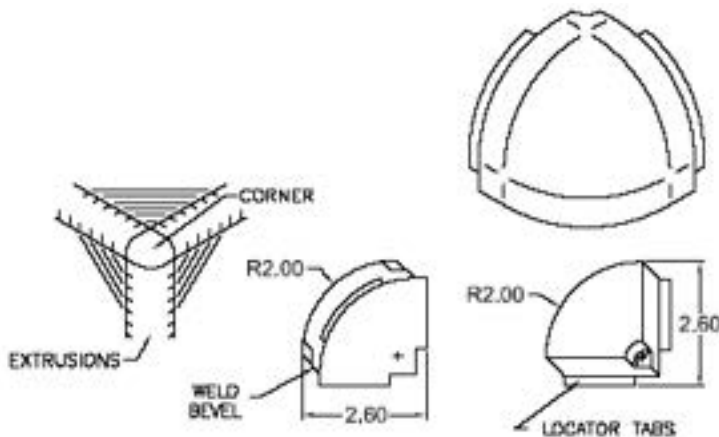
MC0028



MC0028 Modular Corner (Weld In)

- 1) Finish: Ground and wheel-a-brated.
- 2) Purpose: to eliminate the need for mitering corners of extrusions.

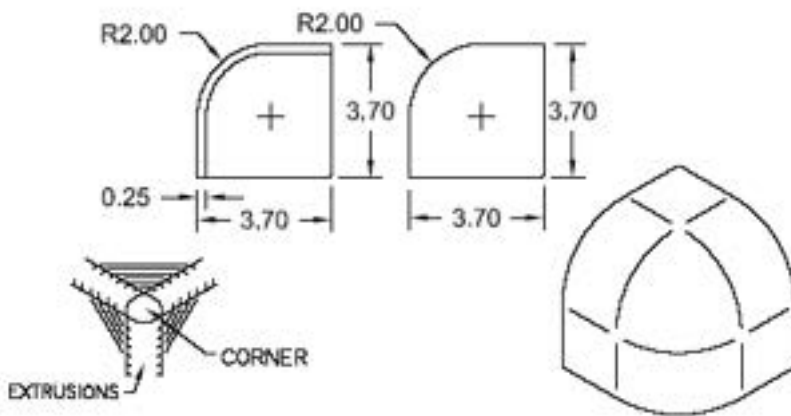
MC0033



MC0033 Modular Corner (Weld In)

- 1) Finish: Ground and wheel-a-brated.
- 2) Purpose: to eliminate the need for mitering corners of extrusions.

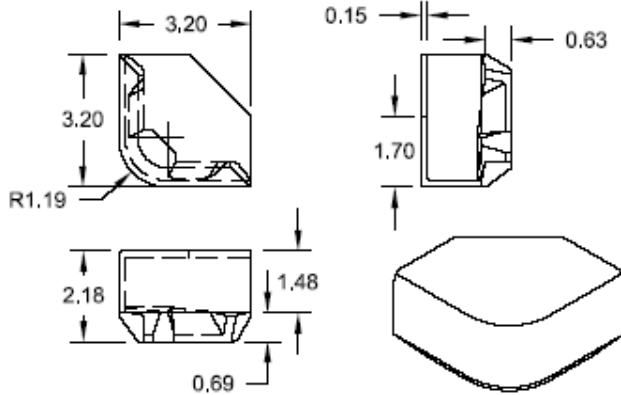
MC0037



MC0037 Modular Corner (Weld In)

- 1) Finish: Ground and wheel-a-brated.
- 2) Purpose: to eliminate the need for mitering corners of extrusions.

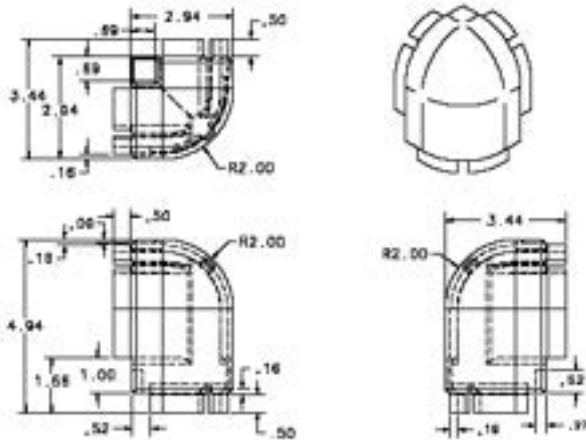
MC0052



MC0052 Horizontal Corner

1) Finish: Polished.

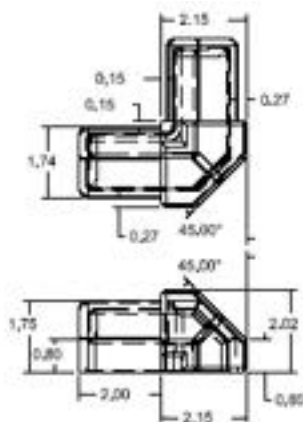
MC0061



MC0061 Modular Corner (Weld in)

1) Finish: Ground and wheel-a-brated.
2) Purpose: to eliminate the need for mitering the corners of extrusions.

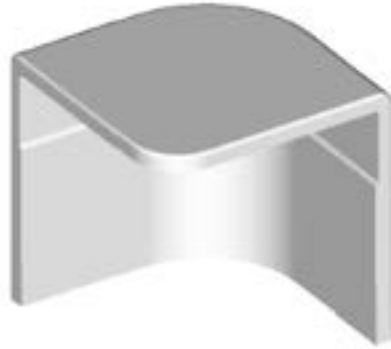
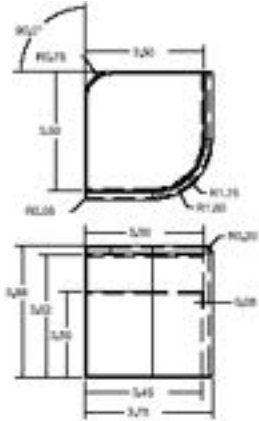
MC0063



MC0063 Modular Corner

1) Finish: Ground and wheel-a-brated.
2) Purpose: to eliminate the need for mitering the corners of extrusions.

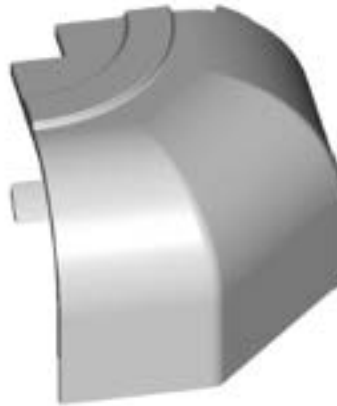
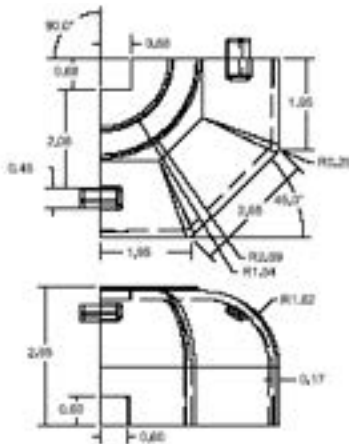
MC0071



MC0071 Modular Corner

- 1) Finish: wheel-a-brated.
- 2) Purpose: to eliminate the need for mitering the corners of extrusions.

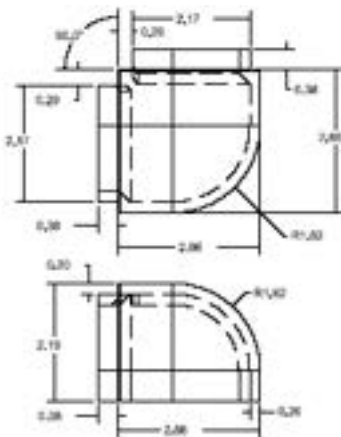
MC0075



MC0075 Corner Cover (Weld in)

- 1) Finish: Ground and wheel-a-brated.
- 2) Purpose: to eliminate the need for mitering the corners of extrusions.

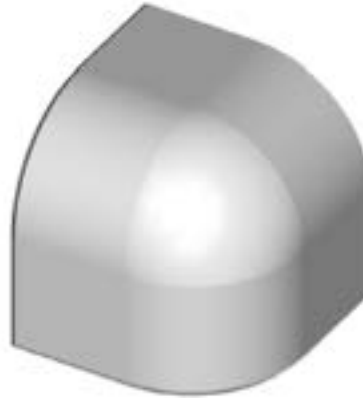
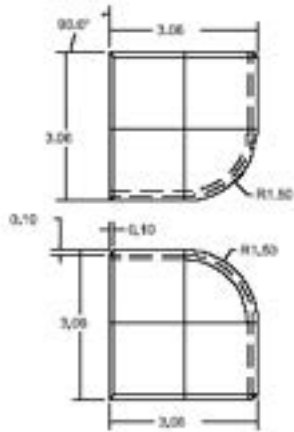
MC0076



MC0076 Corner Cover (Weld in)

- 1) Finish: Ground and wheel-a-brated.
- 2) Purpose: to eliminate the need for mitering the corners of extrusions.

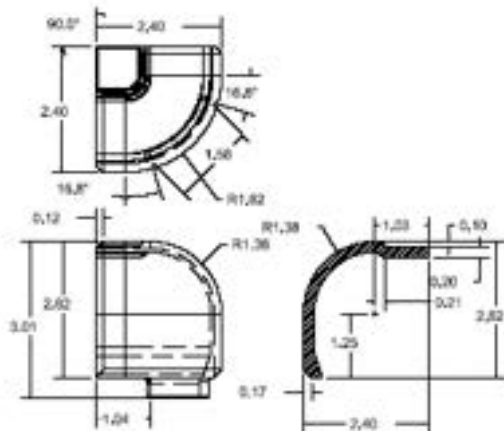
MC0077



MC0077 Corner Cover (Weld in)

- 1) Finish; Ground and wheel-a-brated.
- 2) Purpose; to eliminate the need for mitering the corners of extrusions.

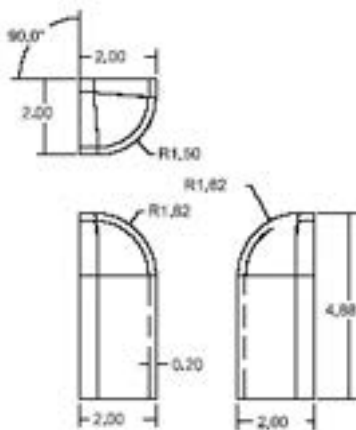
MC0079



MC0079 Corner Cover (Weld in)

- 1) Finish: VFM.
- 2) Purpose; to eliminate the need for mitering the corners of extrusions.

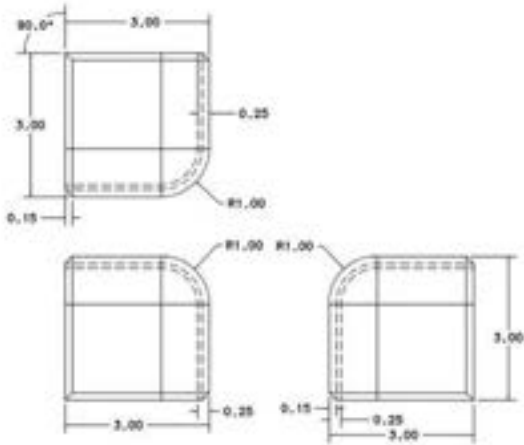
MC0080



MC0080 Corner Cover (Weld in)

- 1) Finish; Wheel-a-brated.
- 2) Purpose; to eliminate the need for mitering the corners of extrusions.

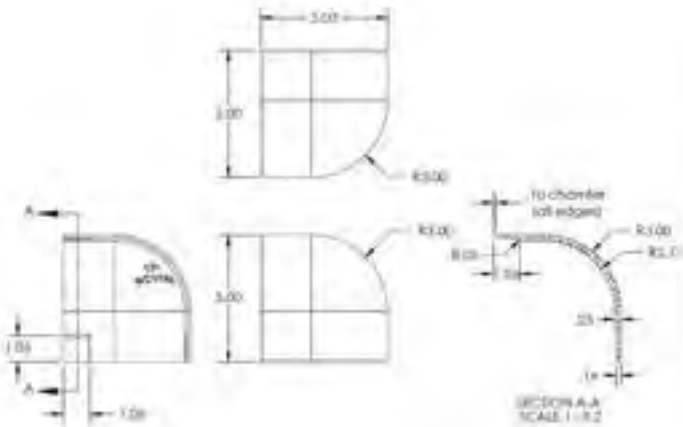
MC0083



MC0083 90d. Modular Corner Cap

1) Finish: wheel-a-brated.

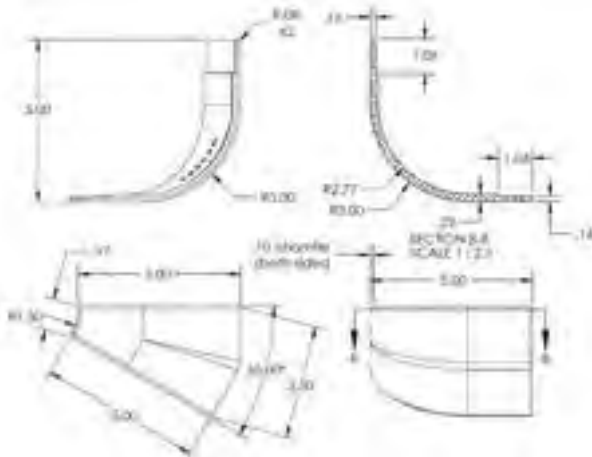
MC0089



MC0089 90d., R3.0 Corner Casting

1) Finish: wheel-a-brated or ball-burnished.

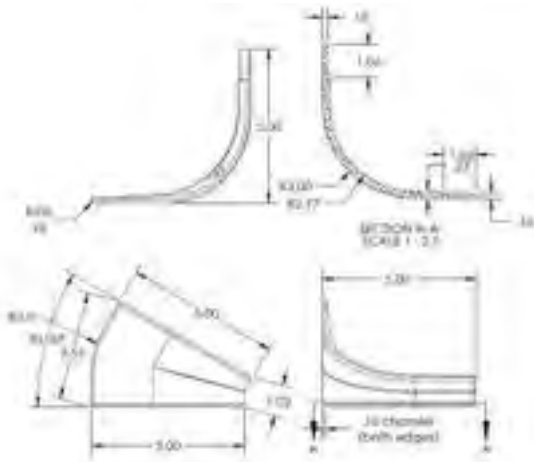
MC0090



MC0090 30d., R3.0 Corner Casting

1) Finish: wheel-a-brated or ball-burnished.

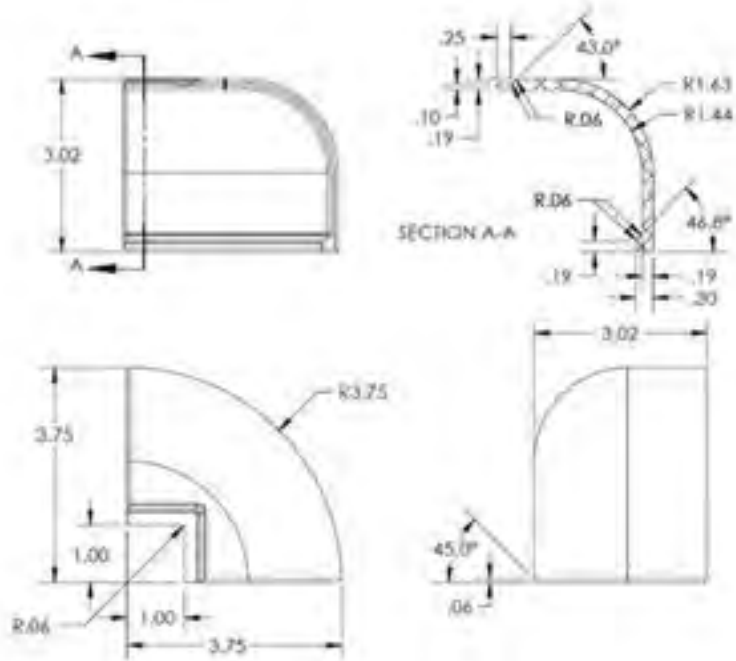
MC0091



MC0091
30d., R3.0 Corner Casting

1) Finish: wheel-a-brated or ball-burnished.

MC0094



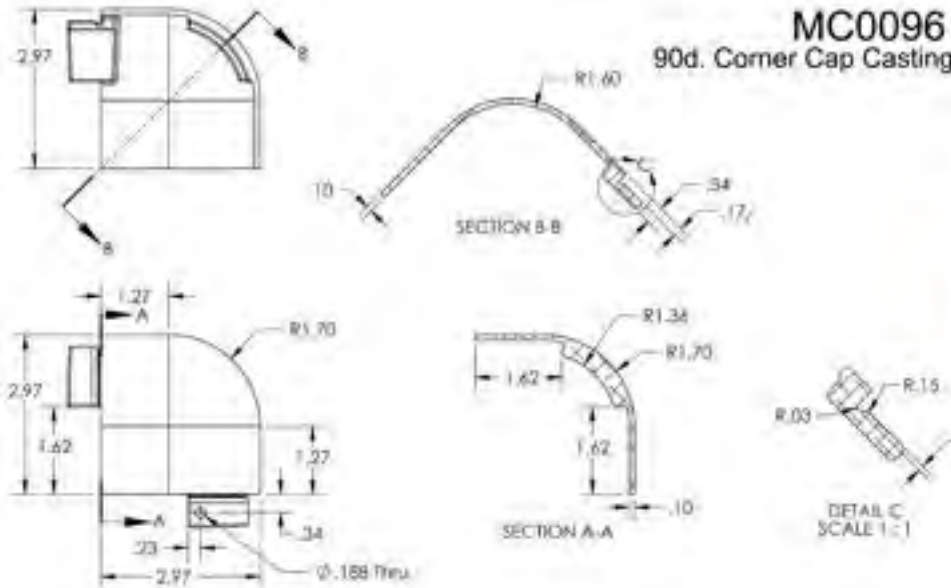
MC0094
90d. Corner Casting

1) Finish: wheel-a-brated

MC0096

MC0096

90d. Corner Cap Casting w/ tabs x2



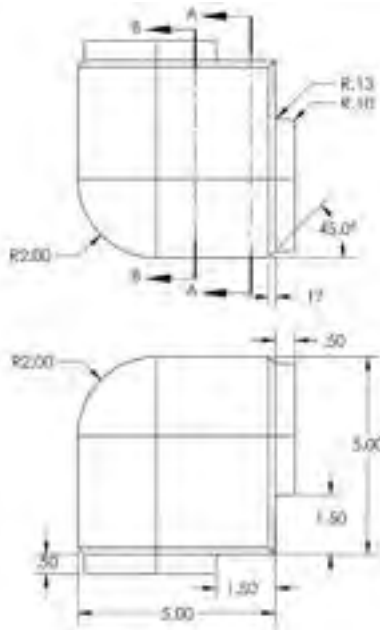
1) Finish: vfm

MC0097

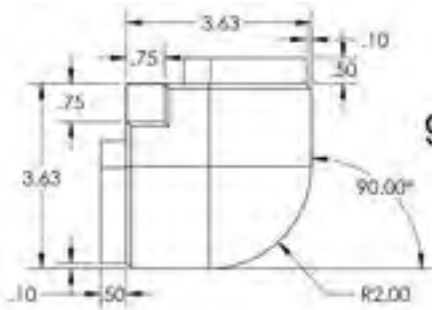
MC0097

90d. Corner Cap Casting

1) Finish: wheel-a-brated.

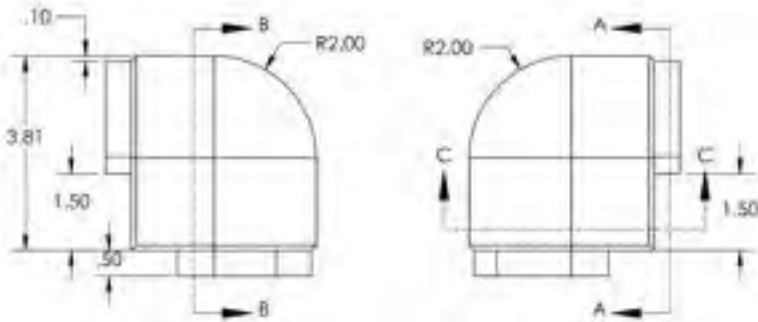


MC0098

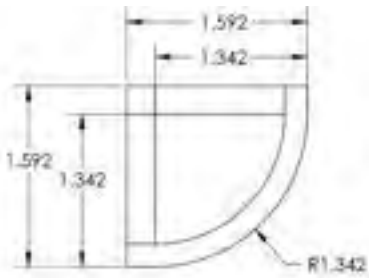


MC0098
90d. Corner Cap Casting

1) Finish: ball-burnished.

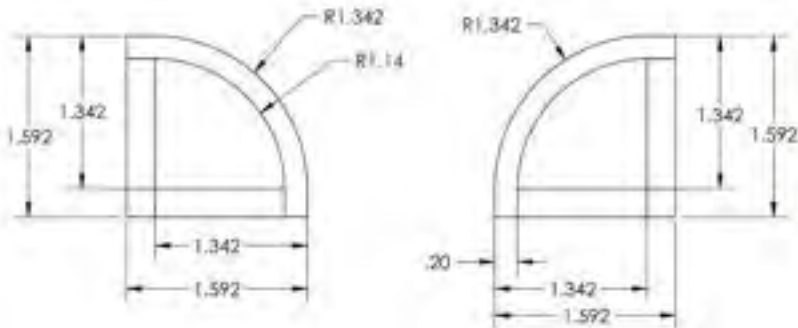


MC0099



MC0099
90d. Corner Cap Casting

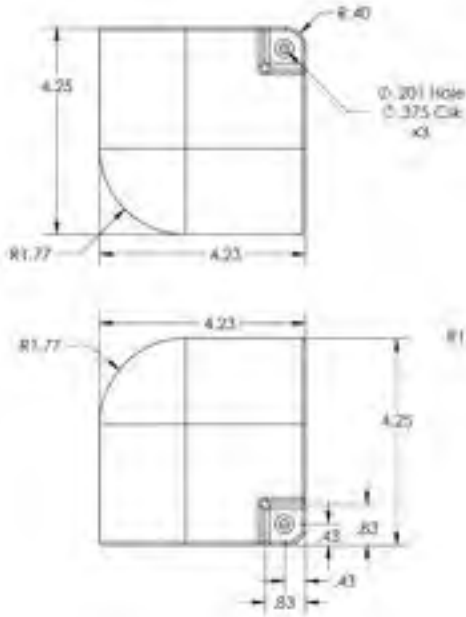
1) Finish: ball-burnished.



MC0101

MC0101 90d. Corner Cap Casting

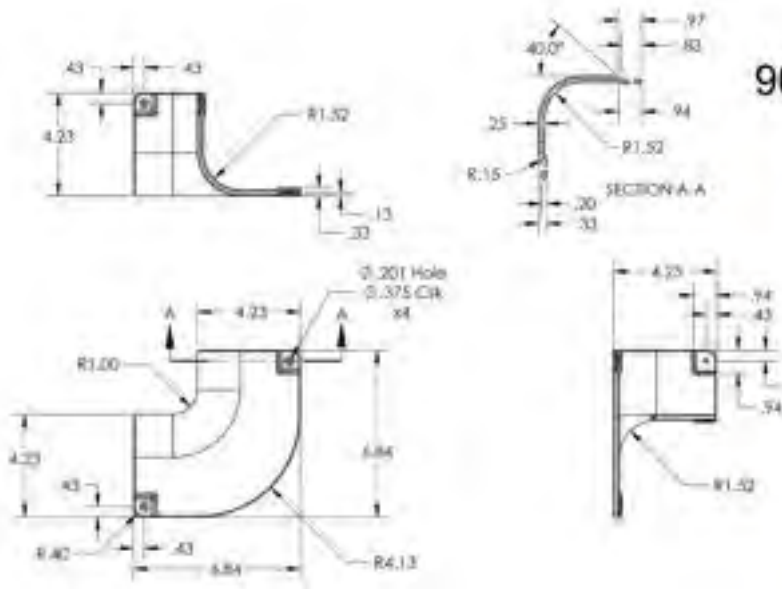
1) Finish: polished.



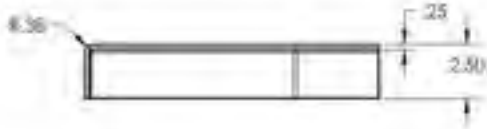
MC0102

MC0102 90d. Inside Corner Cap Casting

1) Finish: polished.

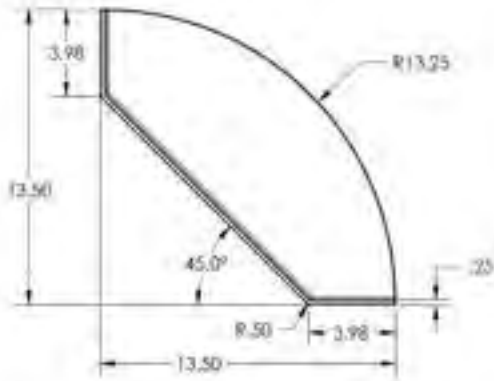


MC0103



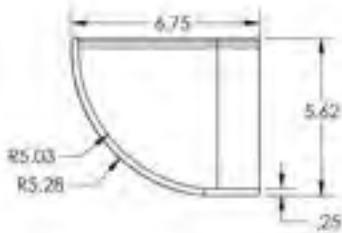
MC0103

90d. Shelving Corner Casting



1) Finish: wheel-a-brated

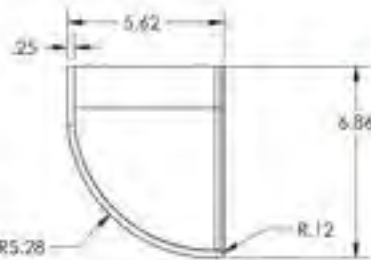
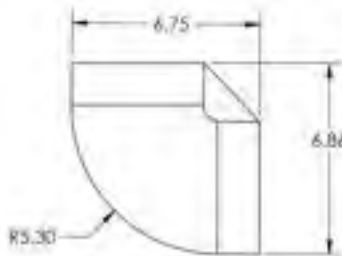
MC0104



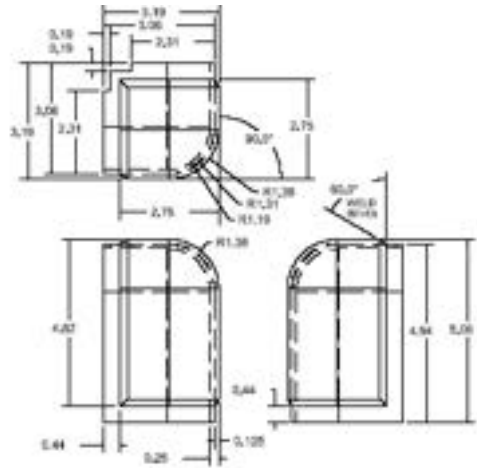
MC0104

90d. Corner Cap Casting

1) Finish: ball-burnished



MC51145

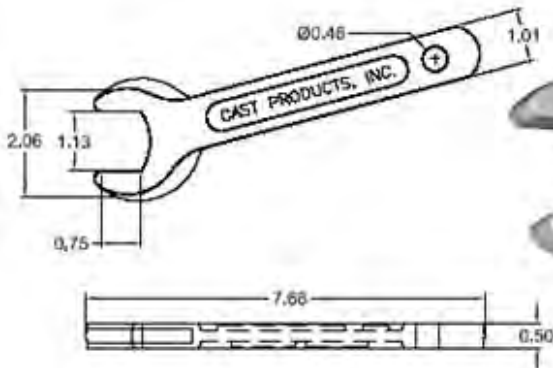


MC51145 Modular Corner (Weld in)

- 1) Finish: Ground and wheel-a-brated.
- 2) Purpose: to eliminate the need for mitering the corners of extrusions.

Oxygen Cylinder Accessories

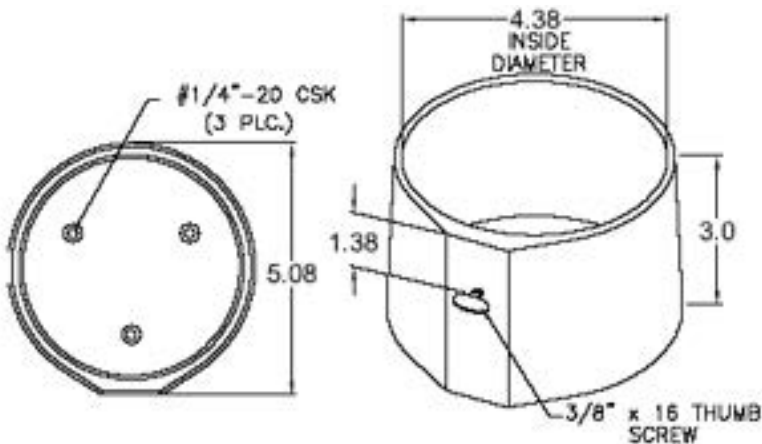
OA0002



OA0002 Oxygen Cylinder Wrench

- 1) Finish: Wheel-a-brated

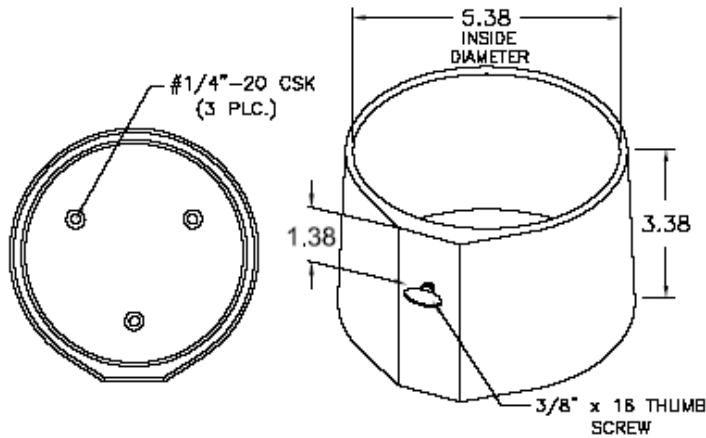
OA0003



OA0003 Single Oxygen Cylinder Cup for "D" & "E" sizes

- 1) Finish: Inside is bead-blasted, Outside is polished.

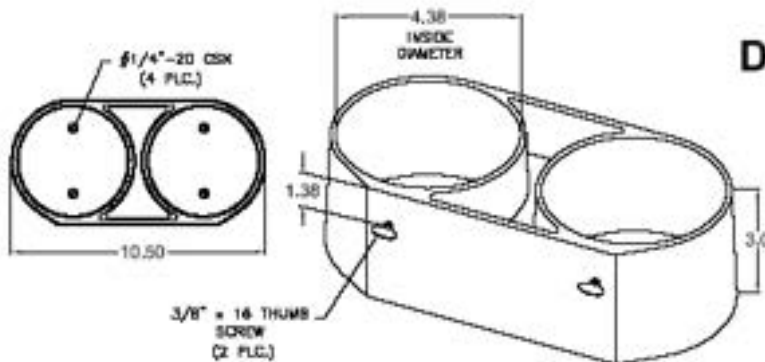
OA0004



OA0004 Single Oxygen Cylinder Cup for "Jumbo" sizes

1) Finish: Inside is bead-blasted.
Outside is polished.

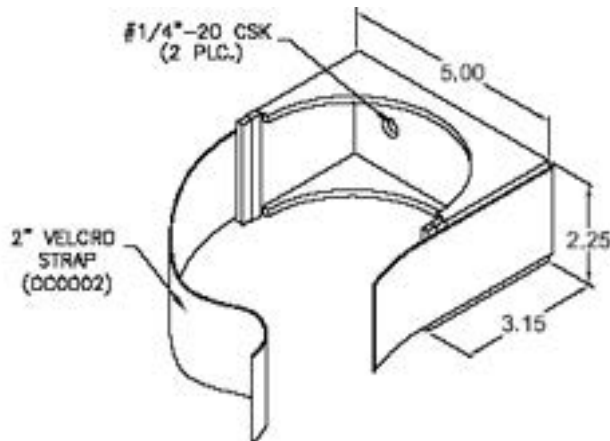
OA0005



OA0005 Double Oxygen Cylinder Cup for "D" & "E" sizes

1) Finish: Inside is bead-blasted.
Outside is polished.

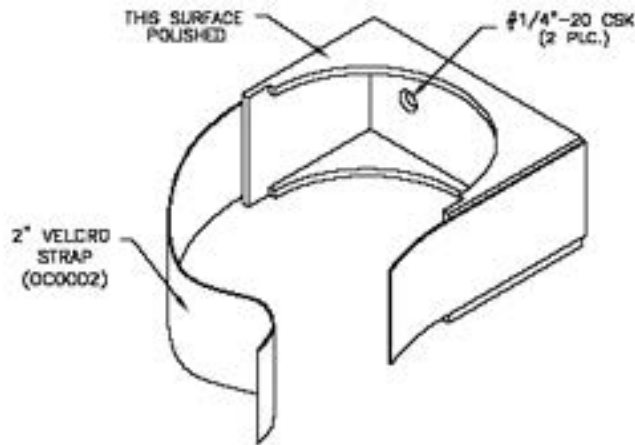
OA0006



OA0006 Single Oxygen Cylinder Clamp for "D" & "E" sizes

1) Finish: Inside is bead-blasted.
Outside is polished.
2) Use the clamp with part
#OA0003. Important: Cup to wall
distance is determined by this
clamp.

OA0007

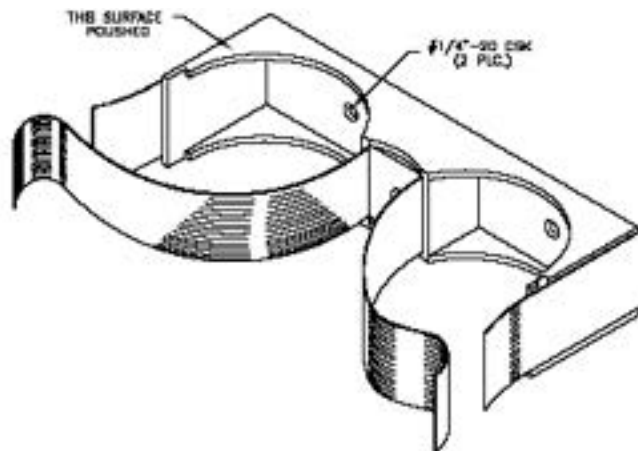


OA0007

**Single Oxygen Cylinder
Clamp for "Jumbo" sizes**

- 1) Finish: Inside is bead-blasted, Outside is polished.
- 2) Use the clamp with part #OA0004. Important: Cup to wall distance is determined by this clamp.

OA0008

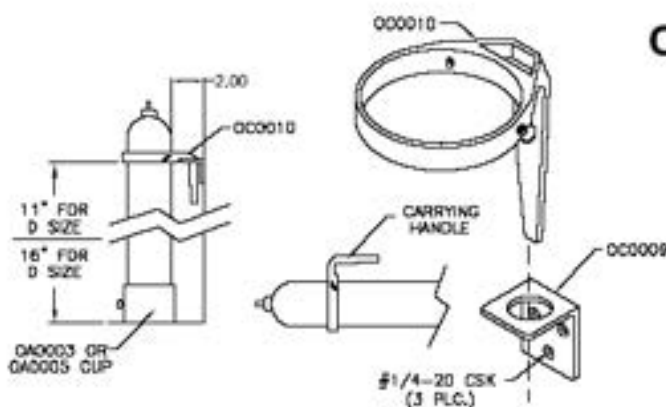


OA0008

**Double Oxygen Cylinder
Clamp for "D" & "E" sizes**

- 1) Finish: Inside is bead-blasted, Outside is polished.
- 2) Use the clamp with part #OA0005. Important: Cup to wall distance is determined by this clamp.

OA0009



OA0009

**Oxygen Cylinder Holder
for "D & E" sizes**

- 1) Finish: Polished.
- 2) Special Feature: Built-in carry handle.
- 3) Mounting screws furnished.

Duramount Oxygen Bottle Holders



OA1101-D-1

D 4.30" Cylinder: Oxygen Bottle Retention System / Assembly

OA1103-E-1

E 4.30" Cylinder: Oxygen Bottle Retention System / Assembly

OA1102-JD-1

JD 5.30" Cylinder: Oxygen Bottle Retention System / Assembly

OA1107-JD-1

JD 5.30" + .125" Cylinder: Oxygen Bottle Retention System / Assembly

- Mount vertically or horizontally
- Brackets may be mounted side by side
- Minimum of 6 mounting points using 1/4" SS hardware
- Mounting surface must be able to withstand the pull-out force greater than the strength of the mounting hardware

Designed to accommodate steel and aluminum oxygen cylinders including "D", "E", and "Jumbo D" sizes, our all Duramount Oxygen Bottle Holders are specifically designed to meet stringent safety standards, provide secure attachment, and maintain unmatched quality throughout the life of its use. Our Duramounts products are constructed of durable cast aluminum and accommodates almost all oxygen regulator controls. Our brackets have been tested to meet KKK-1822-F and SAE J3043 requirements, and can be mounted both vertically and horizontally. Cylinders not included.

Duramount Fire Extinguisher Holders



OA1104-5LB-FIRE-1

DURAMOUNT "5 LB" Fire Extinguisher Retention System / Assembly (4.30" Cylinder)

OA1105-10LB-FIRE-1

DURAMOUNT "10 LB" Fire Extinguisher Retention System / Assembly (5.10" Cylinder)

- Mount vertically or horizontally
- Brackets may be mounted side by side
- Minimum of 6 mounting points using 1/4" SS hardware
- Mounting surface must be able to withstand the pull-out force greater than the strength of the mounting hardware

Designed to accommodate steel and aluminum oxygen cylinders including "D", "E", and "Jumbo D" sizes, our all Duramount Holders are specifically designed to meet stringent safety standards, provide secure attachment, and maintain unmatched quality throughout the life of its use. Our Duramounts products are constructed of durable cast aluminum and accommodates almost all regulator controls. Our brackets have been tested to meet KKK-1822-F and SAE J3043 requirements, and can be mounted both vertically and horizontally. Cylinders not included.

Auto Duramount Oxygen Bottle Holders



OA1201-D-1

Strapless DURAMOUNT "D"
4.30" Cylinder: Oxygen Bottle
Retention System

OA1202-E-1

Strapless DURAMOUNT "E"
4.30" Cylinder: Oxygen Bottle
Retention System

OA1203-JD-1

Strapless DURAMOUNT "JD"
Jumbo 5.30" Cylinder: Oxygen
Bottle Retention System

- Mount vertically or horizontally
- Brackets may be mounted side by side
- Minimum of 6 mounting points using ¼" SS hardware
- Mounting surface must be able to withstand the pull-out force greater than the strength of the mounting hardware



Designed to accommodate steel and aluminum oxygen cylinders including "D", "E", and "Jumbo D" sizes, our all new Auto-Release Duramount Oxygen Bottle Holders are specifically designed to meet stringent safety standards, provide secure attachment, and maintain unmatched quality throughout the life of its use. Our Duramounts products are constructed of durable cast aluminum and accommodates almost all oxygen regulator controls. Our brackets have been tested to meet KKK-1822-F and SAE J3043 requirements, and can be mounted both vertically and horizontally. Cylinders not included.

Auto Duramount Dual Oxygen Bottle Holder



OA1205-DUAL-D-1
Dual Strapless DURAMOUNT
"D" 4.30" Cylinder: Oxygen Bottle
Retention System / Assembly

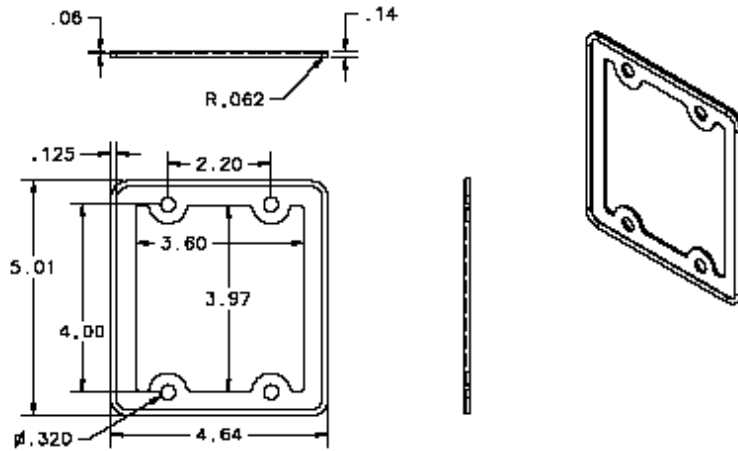


- Mount vertically or horizontally
- Mounts into an 11" wide space.
- Minimum of 6 mounting points using 1/4" SS hardware
- Mounting surface must be able to withstand the pull-out force greater than the strength of the mounting hardware

Designed to accommodate steel and aluminum "D" oxygen cylinder, our all new Auto-Release "Dual" Duramount Oxygen Bottle Holders are specifically designed to meet stringent safety standards, provide secure attachment, and maintain unmatched quality throughout the life of its use. Our Duramounts products are constructed of durable cast aluminum and accommodates almost all oxygen regulator controls. Our brackets have been tested to meet KKK-1822-F and SAE J3043 requirements, and can be mounted both vertically and horizontally. Cylinders not included.

Rubber Gaskets

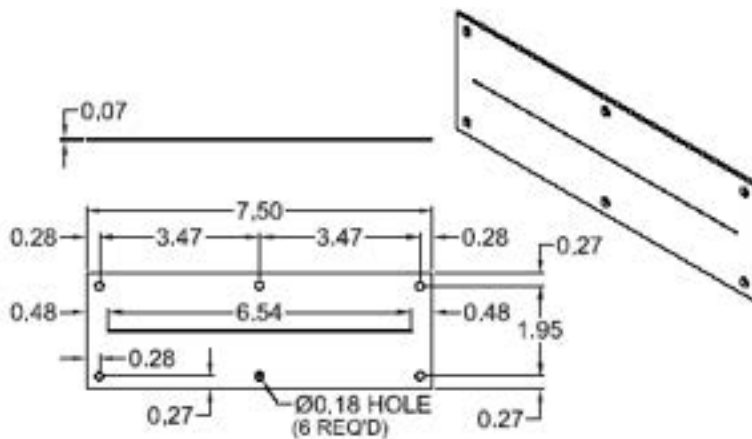
RG0005



RG0005 Rubber Gasket

1) For use with SP4401 - Folding Step.

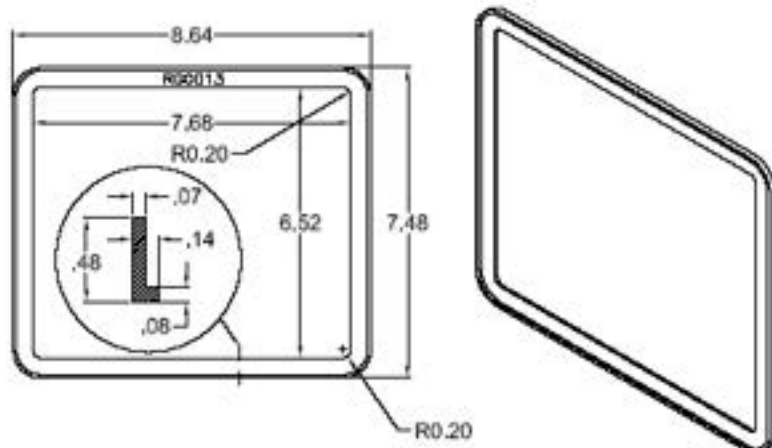
RG0007



RG0007 Rubber Gasket

1) "Silt" Neoprene Gasket for use with FR0004.

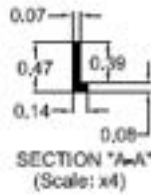
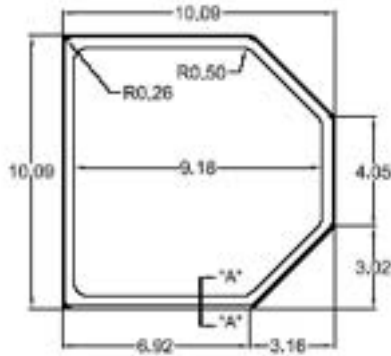
RG0013



RG0013 Rubber Gasket

1) For use with part #'s AD0001, FG4101, FG4102, and FG4103.

RG0014

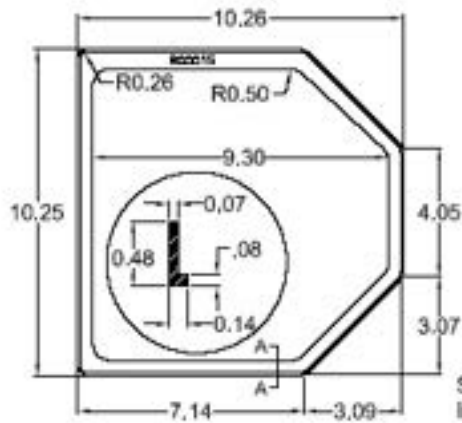


RG0014

Rubber Gasket

1) Finish: For use with the AD0006 Access Door.

RG0015



Section A-A
In circle

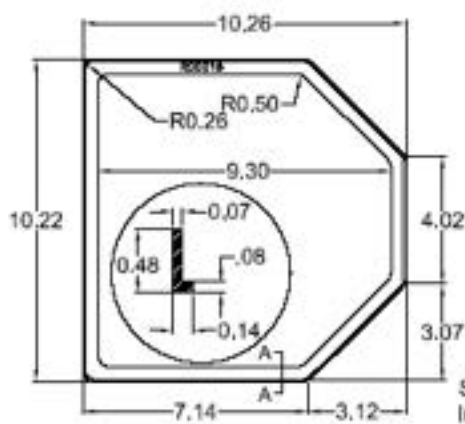


RG0015

Rubber Gasket

1) Finish: For use with the AD0005 Access Door.

RG0016



Section A-A
In circle

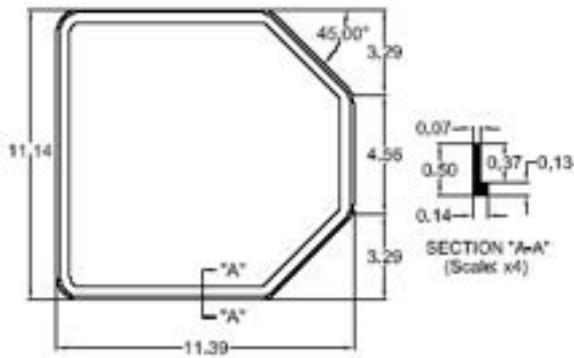


RG0016

Rubber Gasket

1) Finish: For use with the AD00010, AD0011, AD0012 Access Doors.

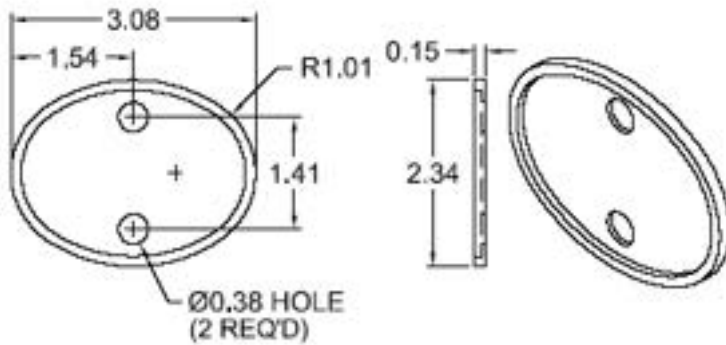
RG0017



RG0017 Rubber Gasket

1) Finish: For use with the AD00013, AD0016 Access Doors.

RG0020

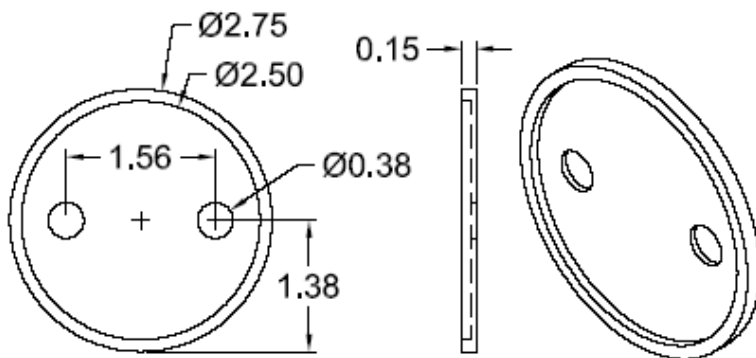


RG0020

Rubber Gasket

1) Finish: For use in the Door "Grabber" bases.

RG0021

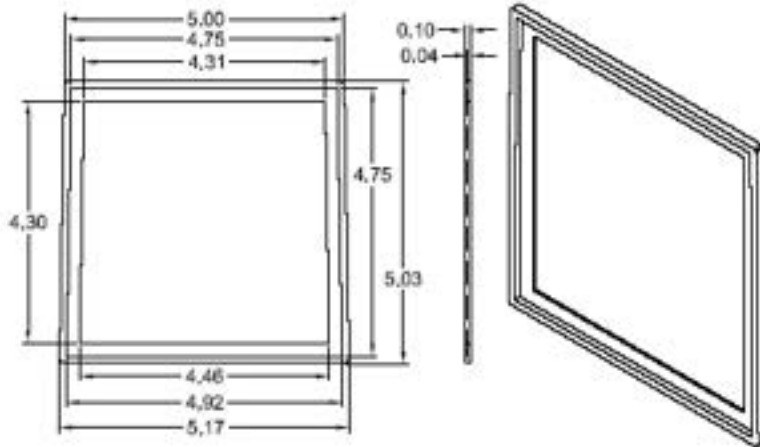


RG0021

Rubber Gasket

1) Finish: For use with the DHC0013 "Grabber" Door Socket.

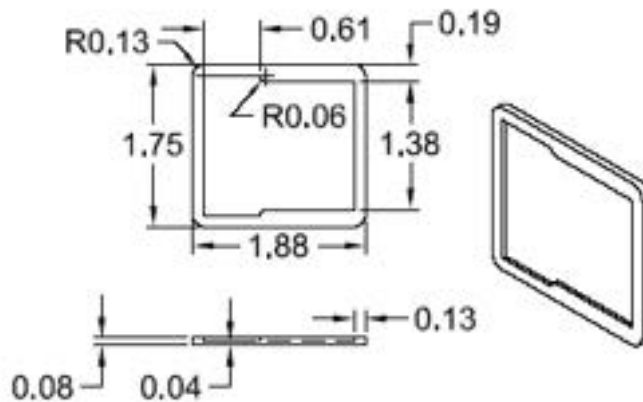
RG0025



RG0025 Rubber Gasket

1) For use with LB0025 Light Bar Bracket

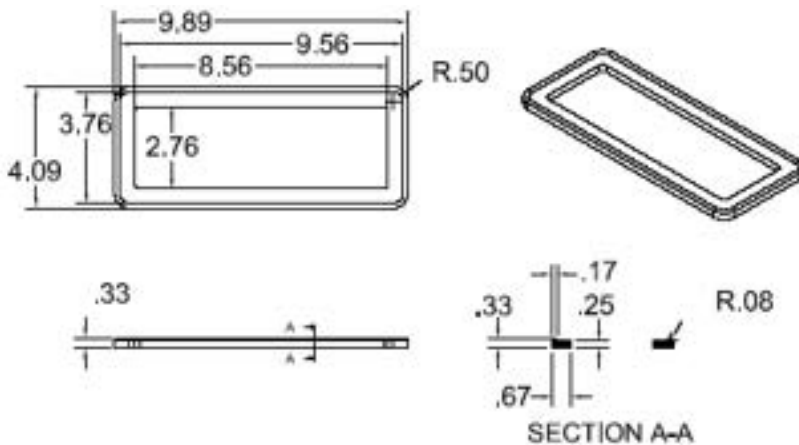
RG0026



RG0026 Rubber Gasket

1) For use with FA0012 Hose Roller "T" Block.
2) Solid Rubber Back.

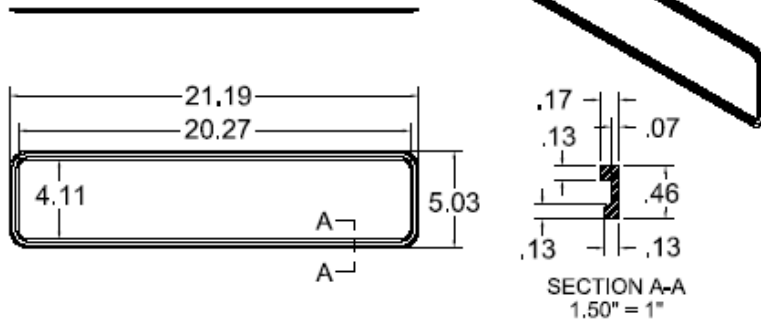
RG0030



RG0030 Rubber Gasket

1) For use with LH46502 Flat Bumper Mount - 4" x 6" Light Housing.

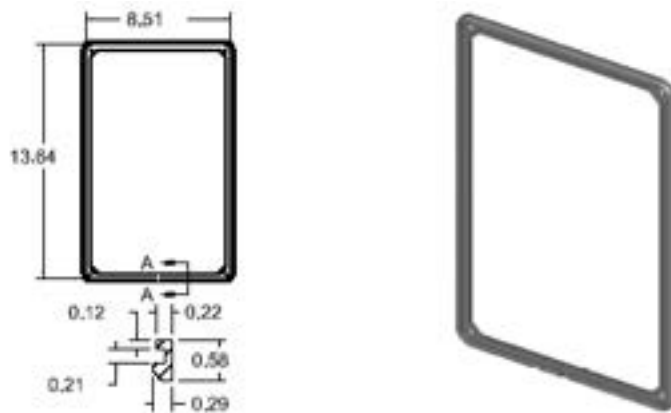
RG0033



RG0033 Rubber Gasket

1) For use with the
LH46118 Triple Light
Trim.

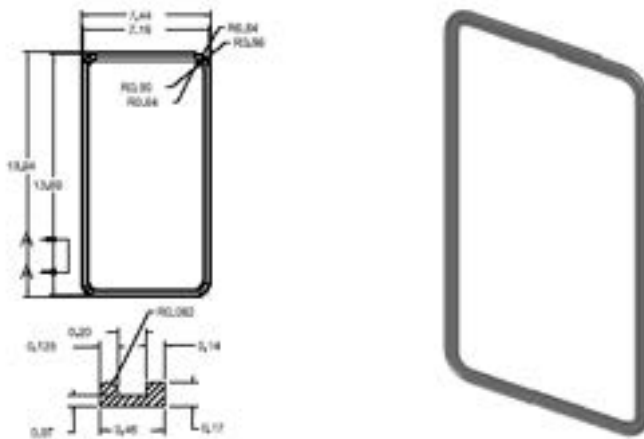
RG0034



RG0034 Rubber Gasket

1) For use with the
LH37107 Quad Lt.
Housing (Weldon 3700
Series)

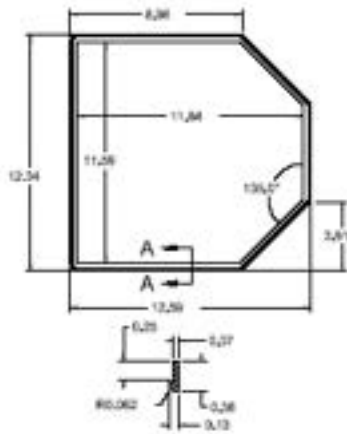
RG0035



RG0035 Rubber Gasket

1) For use with the
LH46117 Triple Lt.
Housing (Whelen 64
Lin. Strobe)

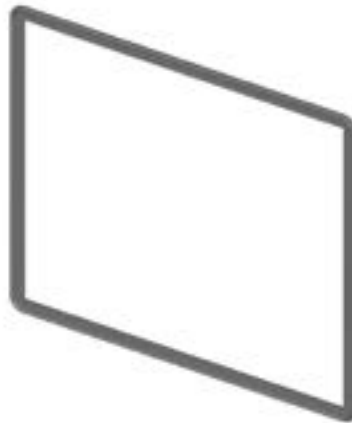
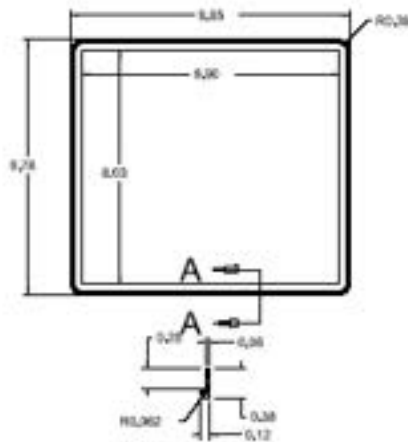
RG0036



RG0036 Rubber Gasket

1) For use with the
AD0028 Recessed
Access Door

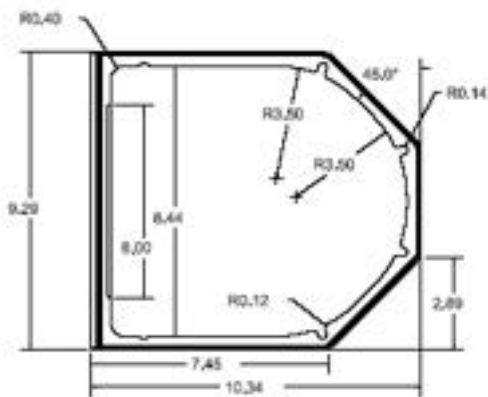
RG0037



RG0037 Rubber Gasket

1) For use with the
FG5308 Recessed Fuel
Filler Guard

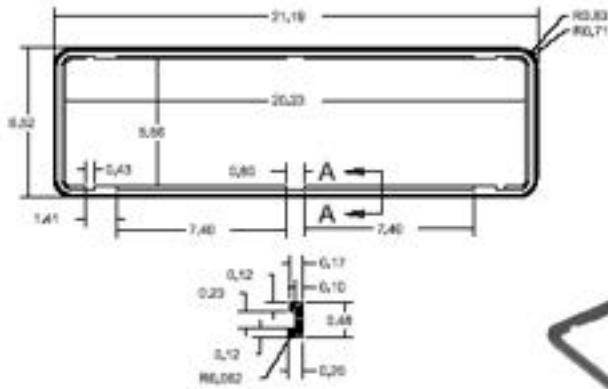
RG0040



RG0040 Rubber Gasket

1) For use with the
AD0032 polished
Access Door

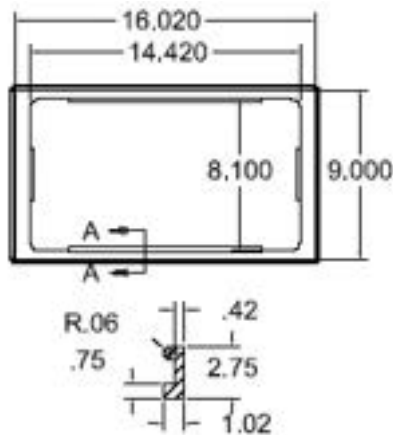
RG0043



RG0043 Rubber Gasket

1) For use with the
LH46121 Triple, Horz.
4x6 Hsg

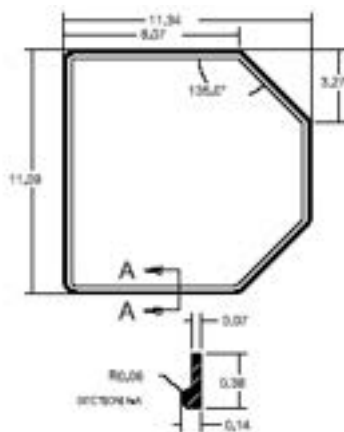
RG0048



RG0048 Rubber Gasket

1) For use with the
LH91203

RG0050



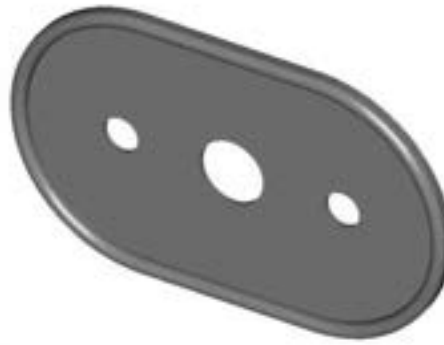
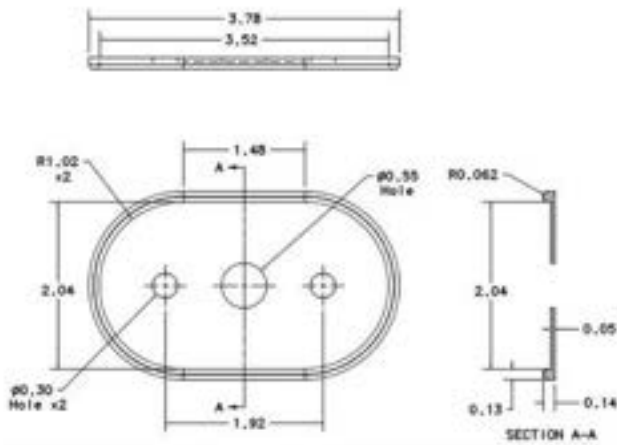
RG0050 Rubber Gasket

1) For use with the
ADC0025 Access
Flange.

RG0057

RG0057 Rubber Gasket

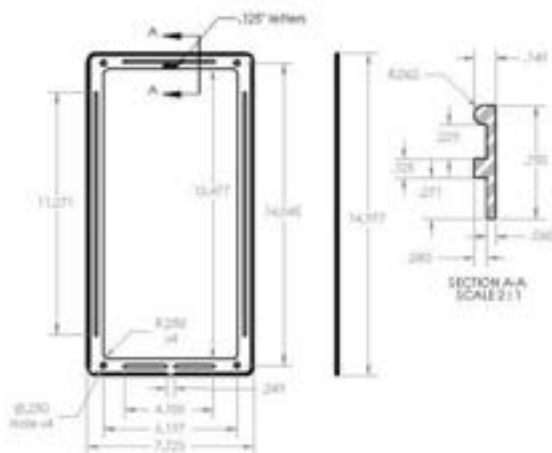
1) For use with LH91102.



RG0063

RG0063 Rubber Gasket

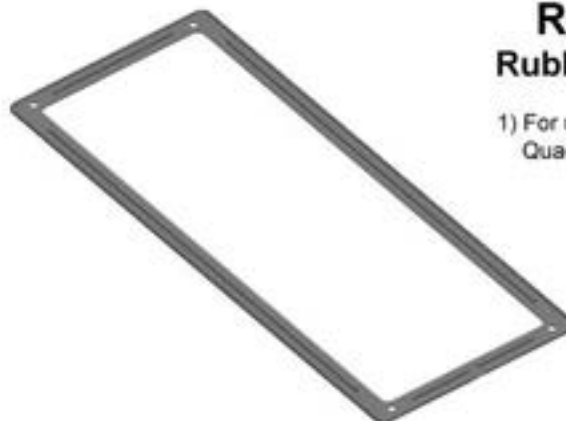
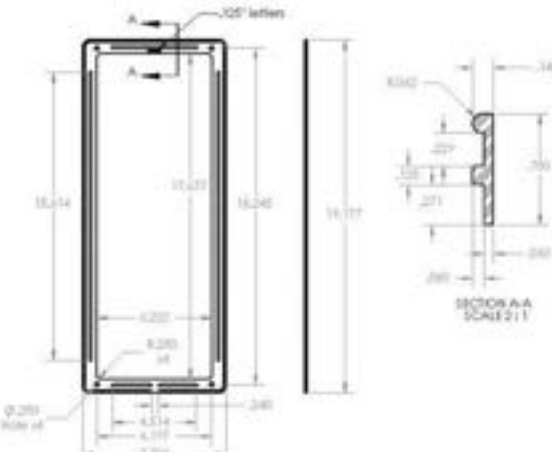
1) For use with LH46128
Triple 4x6 Light Housing.



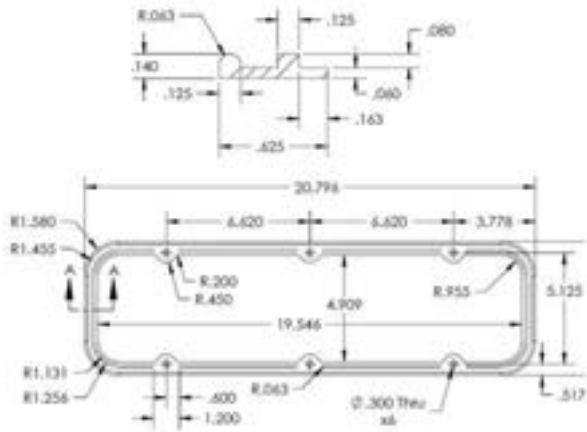
RG0064

RG0064 Rubber Gasket

1) For use with LH46129
Quad 4x6 Light Housing.



RG0076

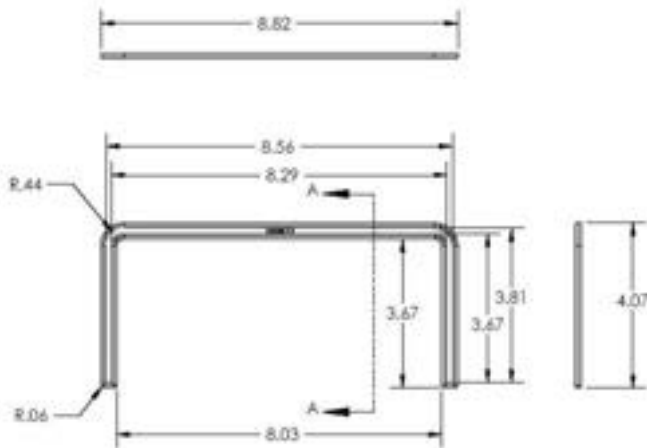


RG0076 Rubber Gasket

1) For use with LH46132
Light Housing.



RG0077

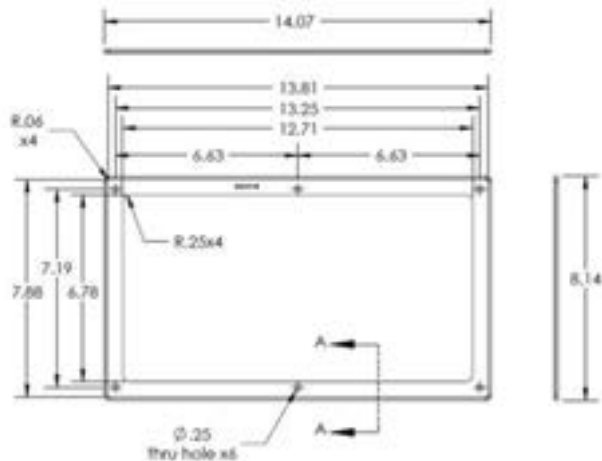


RG0077 Rubber Gasket

1) For use with VC0002.



RG0078

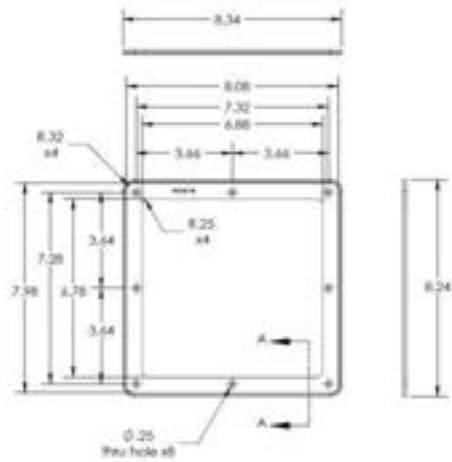


RG0078 Rubber Gasket

1) For use with LP0002.



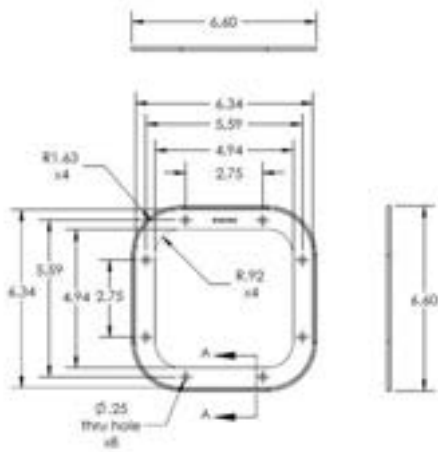
RG0079



RG0079 Rubber Gasket

1) For use with FG5504.

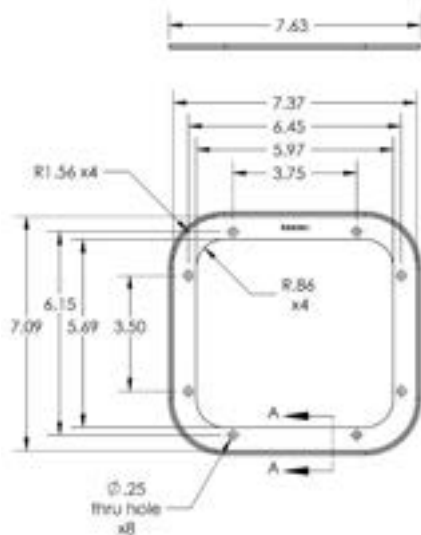
RG0080



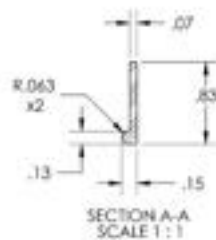
RG0080 Rubber Gasket

1) For use with FG4502.

RG0081

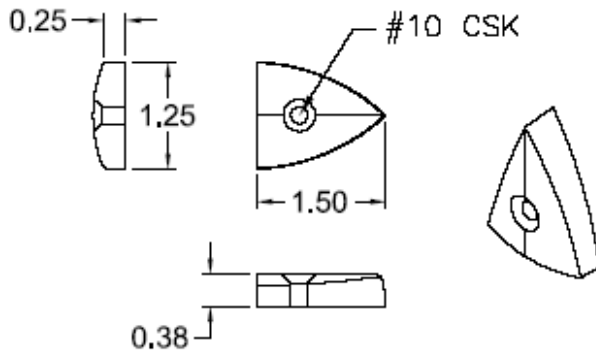


RG0081 Rubber Mounting Gasket for FG4201



Rub Rail End Caps

RR0001

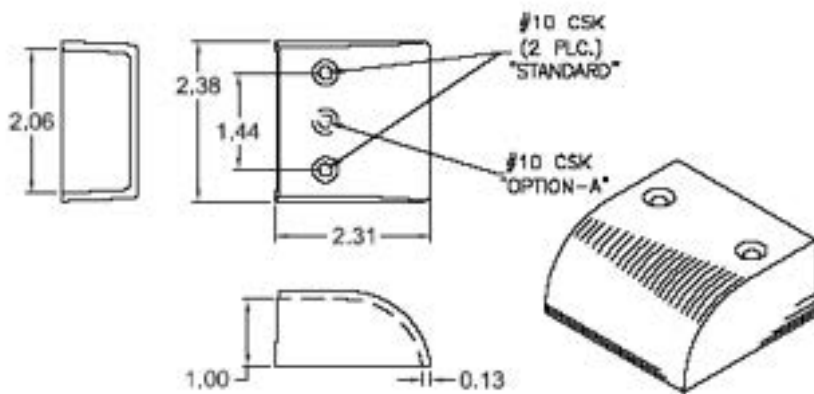


RR0001

Rub Rail End

1) Finish: All exterior surfaces are bright polished.

RR0007

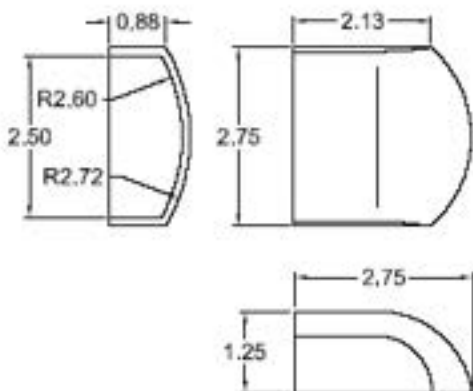


RR0007

Rub Rail End

1) Finish: All exterior surfaces are bright polished.
2) Order "option-A" for one hole in the center as shown.

RR0010

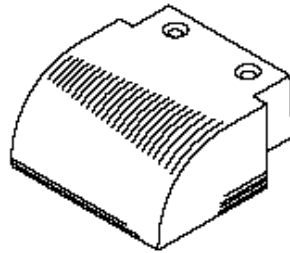
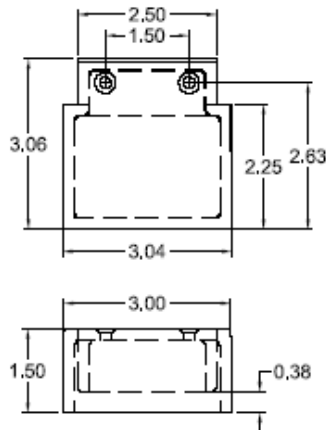


RR0010

Rub Rail End

1) Finish: All exterior surfaces are bright polished.

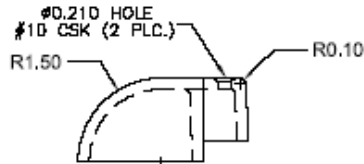
RR0012



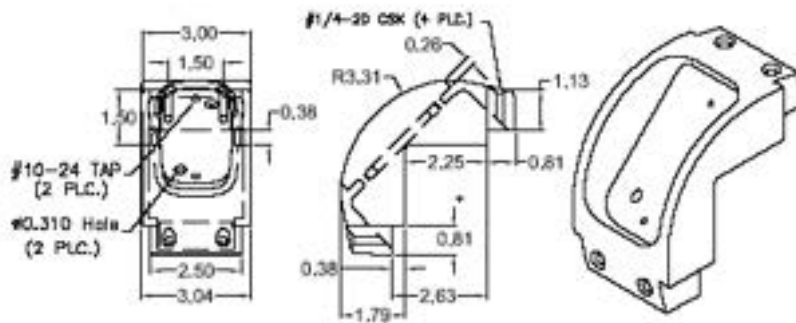
RR0012

Rub Rail End

1) Finish: All exterior surfaces are bright polished.



RR0013

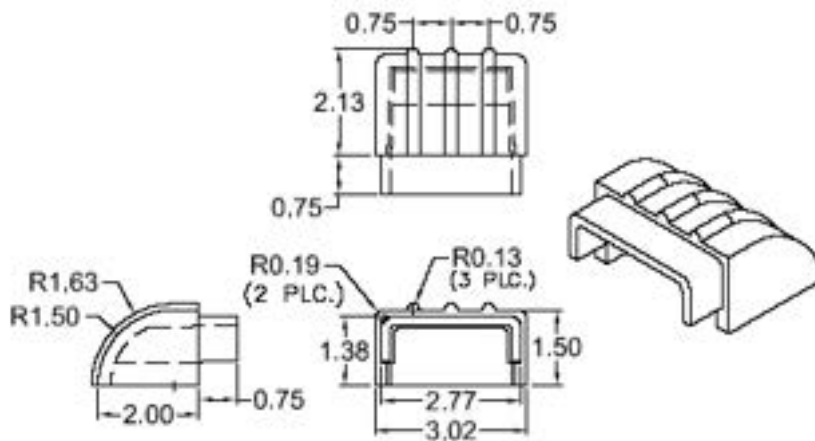


RR0013

Rub Rail End 90° degree Corner

1) Finish: All exterior surfaces are bright polished.

RR0014

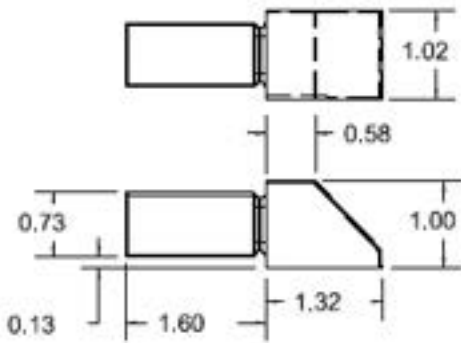


RR0014

Rub Rail End

1) Finish: All exterior surfaces are bright polished.

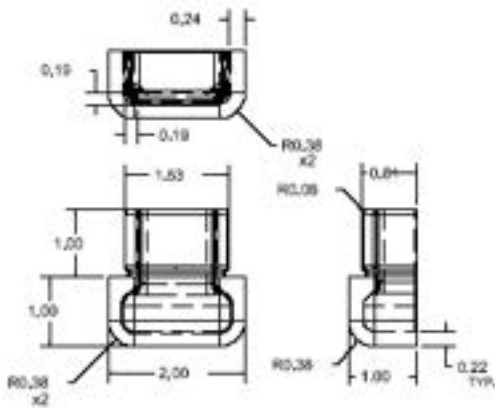
RR0024



**RR0024
Rub Rail End
Cap**

1) Finish: all exterior surfaces are bright polished.

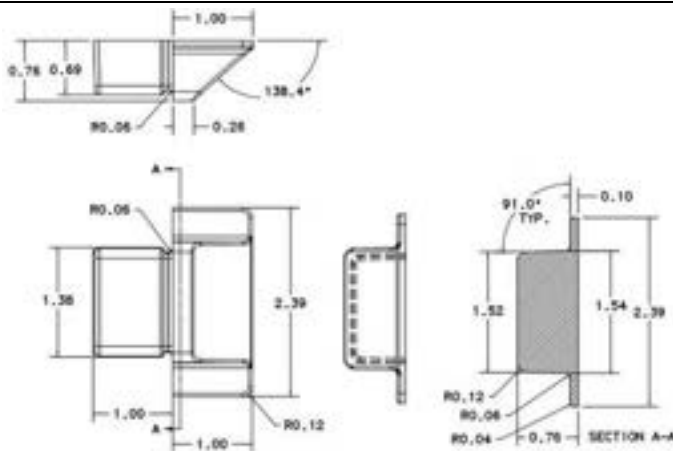
RR0027



**RR0027
Rub Rail End
Cap**

1) Finish: all exterior surfaces are bright polished.

RR0034



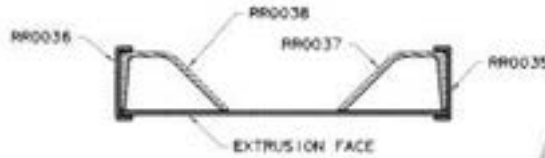
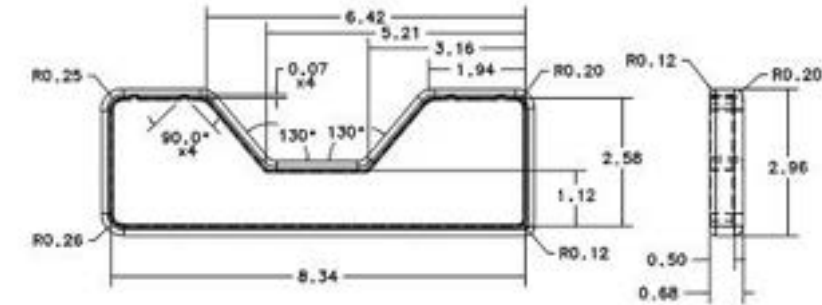
**RR0034
Rub Rail End Cap**

1) Finish: ball-burnished.

RR0035 RR0036

**RR0035 & RR0036
Rub Rail End Caps**

- 1) Finish: Ball-burnished
- 2) RR0035 Right hand shown
- 3) RR0036 Left hand is opposite



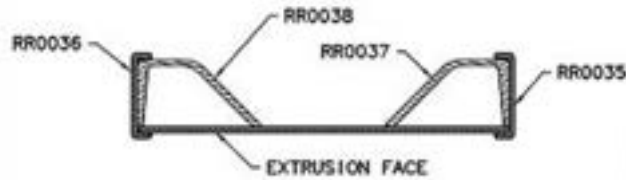
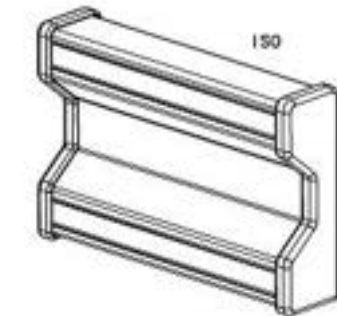
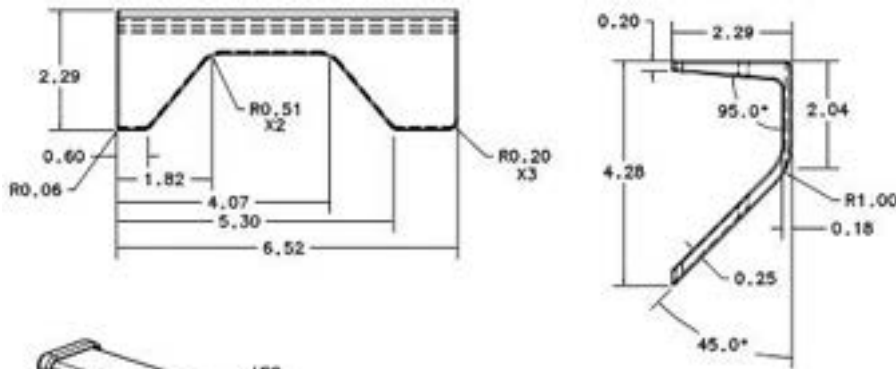
RR0035



RR0037 RR0038

**RR0037 & RR0038
Angle Filler Castings**

- 1) Finish: Ball-burnished
- 2) RR0037 Right hand shown
- 3) RR0038 Left hand is opposite



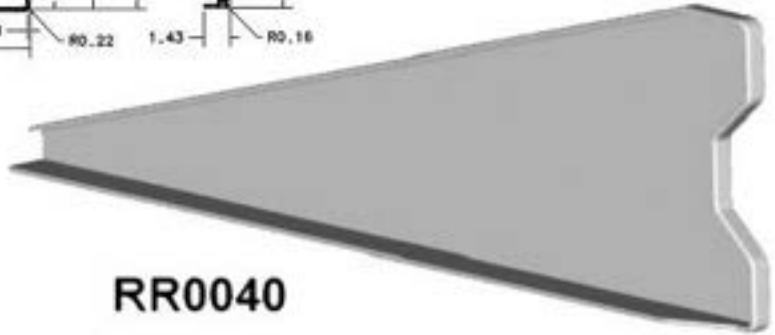
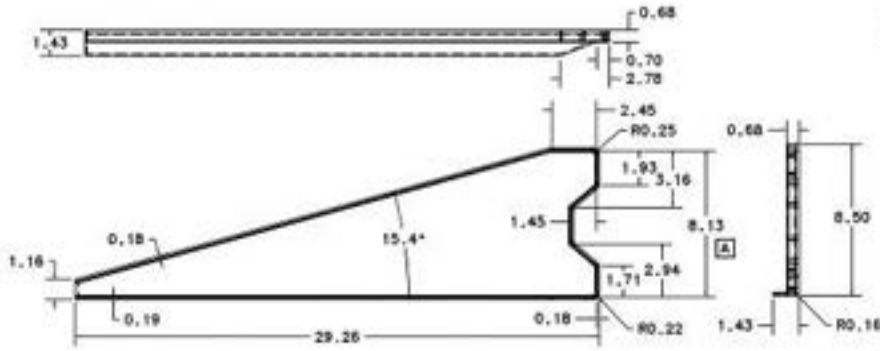
RR0037



RR0040 RR0041

RR0040 & RR0041 Vac. Front Castings

- 1)Finish: Ground as Cast
- 2)RR0040 Right hand bracket shown
- 3)RR0041 Left hand bracket opposite

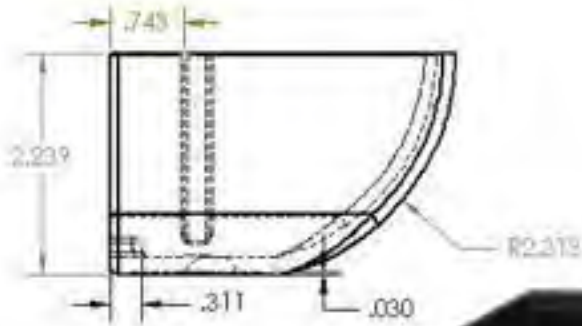


RR0040

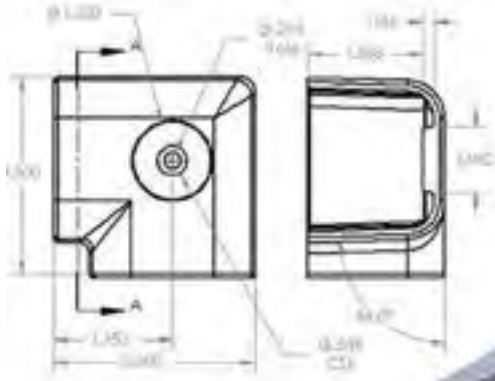
RR0042

RR0042 End Cap

- 1)Finish: Powder-coated Black or VFM



RR0043

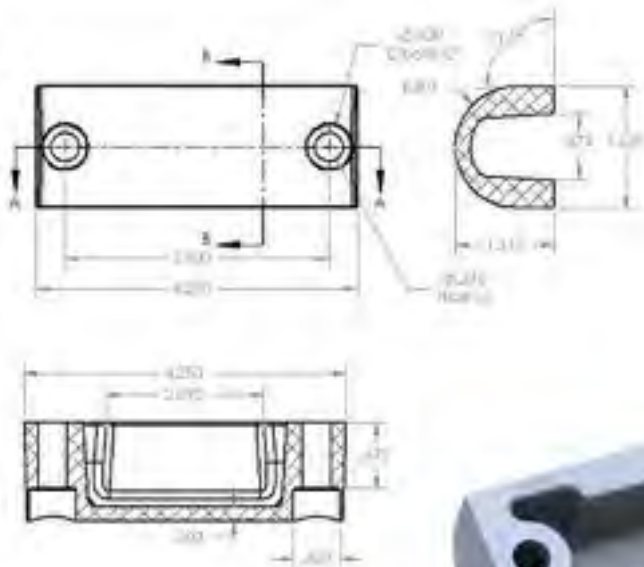


RR0043
90d. Corner Cap

1)Finish: Powder-coated Black or VFM



RR0044



RR0044
Extrusion End Cap Casting

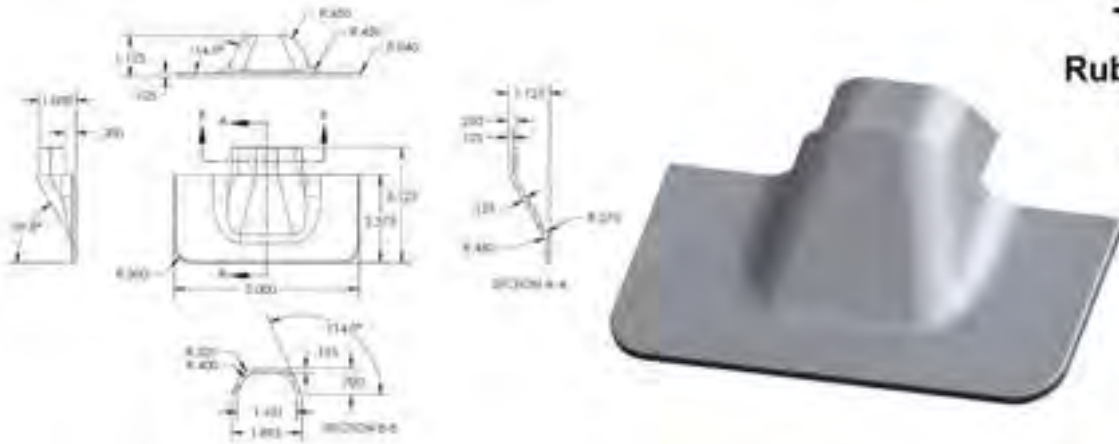
1)Finish: Ball-burnished



TRR0002

TRR0002 Rub Rail End Cap

1) Finish: VFM.

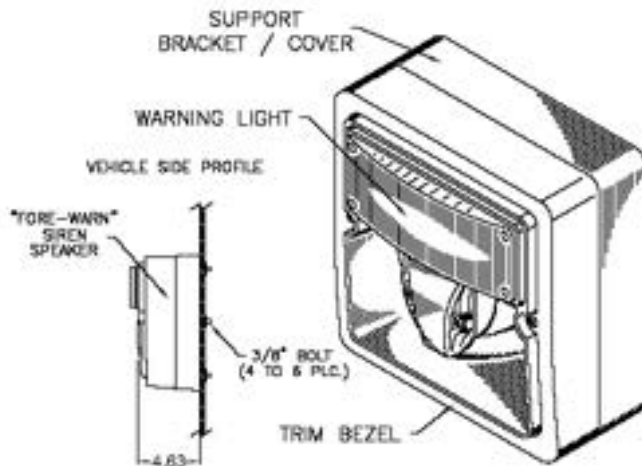


Siren Speakers

SA1000 Series

SA1502

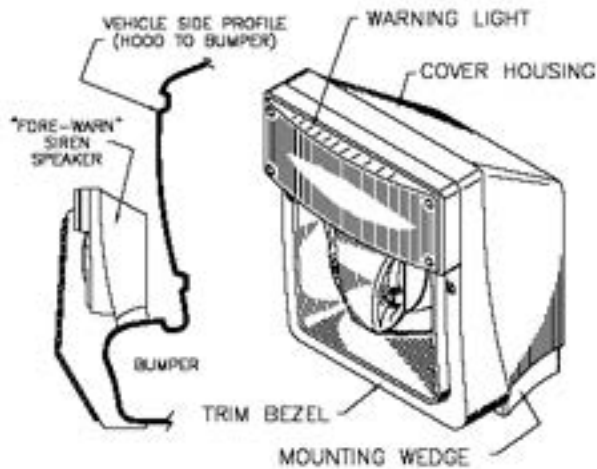
SA1502 Surface Mount Siren Speaker with Warning Light



- 1) Finish: Trim Bezel is polished. Cone and Horn are Wheel-a-brated.
- 2) Important: See specs for matching electrical components and requirements.
- 3) Designed to mount on a flat surface which prohibits cutting of the body (Installation procedure included).

SA2000 Series

SA2201

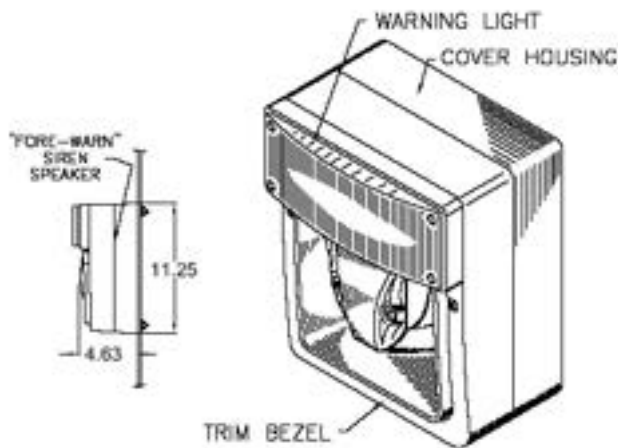


SA2201

Bumper Mounted Siren Speaker with Warning Light

- 1) Finish: Trim Bezel is polished. Cone and Horn are Wheel-a-brated.
- 2) Important: See specs for matching electrical components and requirements.
- 3) Designed for use with a 3" x 7" Light on the '86-'87 Chevy C30 (Installation procedure included).

SA2301

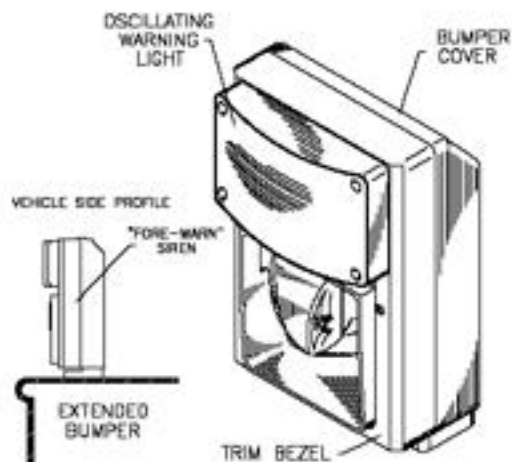


SA2301

Surface Mount Siren Speaker with Warning Light

- 1) Finish: Trim Bezel is polished. Cone and Horn are Wheel-a-brated.
- 2) Important: See specs for matching electrical components and requirements.
- 3) Designed to mount on a flat surface which prohibits cutting the body (Installation procedure included).

SA2208

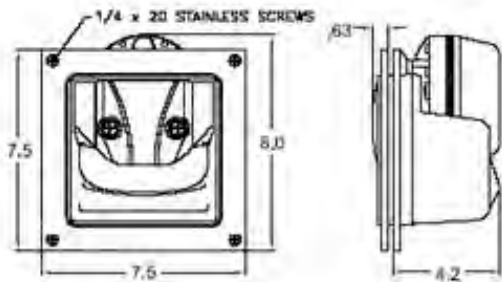


SA2208

Surface Mount Siren Speaker for Oscillating Lights

- 1) Finish: Trim Bezel is polished. Cone and Horn are polished.
- 2) Important: See specs for matching electrical components and requirements.
- 3) SA2208 for use with **Code-3 Oscilaser** Lights. SA2209 for use with **Federal TCL** Lights (Installation procedure included).

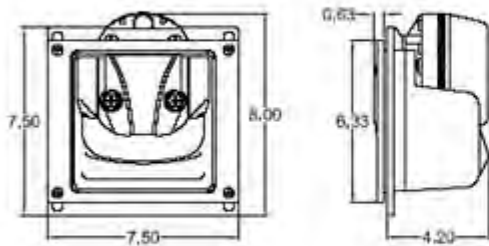
SA2401



SA2401 Inside-the-Bumper Mount Siren Speaker

- 1) Finish: Trim Bezel is polished. Cone and Horn are Wheel-a-brated.
- 2) Important: See specs for matching electrical components and requirements.
- 3) For mounting inside the bumper used on the front of most firetrucks (Installation procedure included).

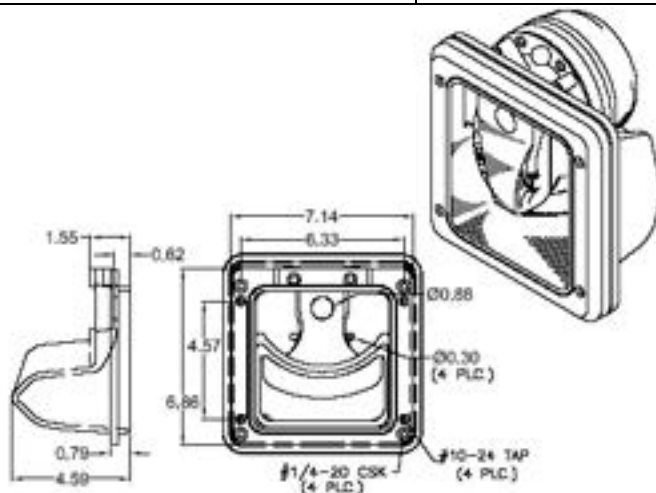
SA2403



SA2403 Inside-the-Bumper Mount Siren Speaker (10" Tall Bumper)

- 1) Finish: Trim Bezel is polished. Cone and Horn are Wheel-a-brated.
- 2) Important: See specs for matching electrical components and requirements.
- 3) For mounting inside the 10" tall bumpers used on the front of some firetrucks (Installation procedure included).

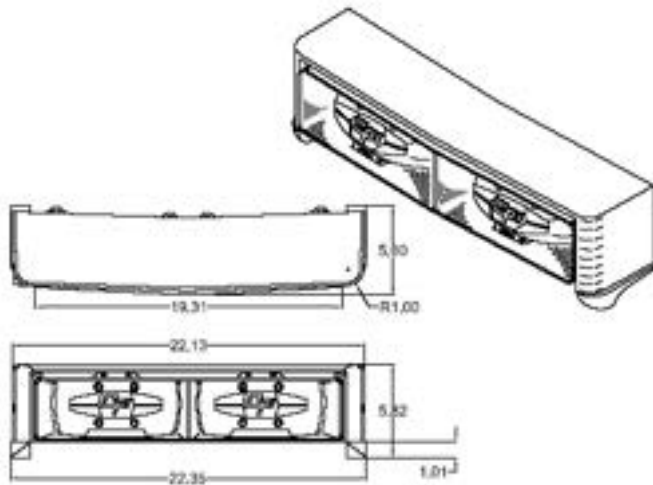
SA2405



SA2405 Inside-the-Bumper Mount Siren Speaker (12" Tall Bumper)

- 1) Finish: Trim Bezel is polished. Cone and Horn are Wheel-a-brated.
- 2) Important: See specs for matching electrical components and requirements.
- 3) Designed as a "front load" mount in the bumper of some firetrucks (Installation procedure included).

SA3203



SA3203 Dual Siren Speaker (Bumper Mount)

- 1) Finish: Trim Bezel is polished. Cone and Horn are Wheel-a-brated.
- 2) Important: See specs for matching electrical components and requirements.
- 3) Designed to mount on the bumpers of most full size trucks and vans.

SA3000 Series

SA3501

BUMPER SIDE
PROFILE



SA3501 Inside-the-Bumper Mount Siren Speaker

- 1) Finish: Trim Bezel is polished. Cone and Horn are Wheel-a-brated.
- 2) Important: See specs for matching electrical components and requirements.
- 3) Mounts inside the bumper used on the front of most firetrucks (Installation procedure included).

SA3502



SA3502 Inside-the-Bumper Mount Siren Speaker

- 1) Finish: Trim Bezel is polished. Cone and Horn are Wheel-a-brated.
- 2) Important: See specs for matching electrical components and requirements.
- 3) Mounts inside the bumper used on the '92-03 Freightliner FL60 (Installation procedure included).

SA3503

BUMPER SIDE
PROFILE



SA3503

Inside-the-Bumper Siren Speaker

- 1) Finish: Trim Bezel is polished. Cone and Horn are Wheel-a-brated.
- 2) Important: See specs for matching electrical components and requirements.
- 3) For mounting inside the bumper used on the front of most firetrucks (Installation procedure included).

SA3504



SA3504

Inside-the-Bumper Siren Speaker

- 1) Finish: Trim Bezel is polished. Cone and Horn are Wheel-a-brated.
- 2) Important: See specs for matching electrical components and requirements.
- 3) For mounting inside the bumper used on the '92-03 Freightliner FL60 (Installation procedure included).

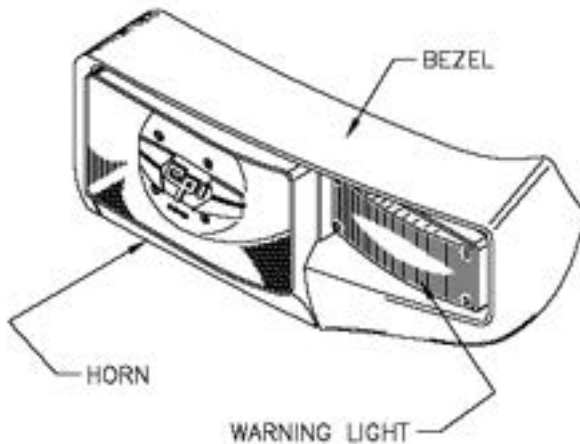
SA3801



SA3801
TTB Mount Siren Speaker
(SA3800 series) for Stan-
dard 2" OD Logo Stickers

- 1) Finish: Exterior flange is polished. Siren speaker is ball-burnished.
- 2) For "through-the-bumper" mounting with 2" OD Logo Stickers.

SAD3201 SAP3201



SAD SAP3201
E350 Bumper Mount Siren
Speaker with 3" x 7"
Warning Lights

- 1) Finish: Wheel-a-brated on all surfaces or powder-coated white
- 2) Important: See specs for matching electrical components and requirements.
- 3) Mounts under the headlights on the 1997-02 Ford E350 Van

SAD3801 SAP3801

SAD SADP3801
TTB Siren Speaker
for 2008-09 Ford
E350 SD series



- 1) Finish: Exterior flange is polished. Siren speaker is ball-burnished.
- 2) For "through-the-bumper" mounting on 2008-09 Ford E350 SD series

SAD3802 SAP3802

SAD SADP3802
TTB Siren Speaker
for 2008-09 Ford
F350 SD series



- 1) Finish: Exterior flange is polished. Siren speaker is ball-burnished.
- 2) For "through-the-bumper" mounting on 2008-09 Ford F350 SD series

SAD3803 SAP3803



SAD SADP3803
TTB Siren Speaker for
2008-09 International
4300 MaxxFace DT



- 1) Finish: Exterior flange is polished. Siren speaker is ball-burnished.
- 2) For "through-the-bumper" mounting on 2008-09 International 4300 MaxxFace DT

SA3804



SA3804
TTB Siren Speaker 2007-
08 G3500 Van (for Dual
Center Mount)



- 1) Finish: Exterior flange is polished. Siren speaker is ball-burnished.
- 2) For "through-the-bumper" mounting on 2008-09 International 4300 MaxxFace DT

SAD3805 SAP3805



SAD SAP3805 TTB Siren Speaker for 2004-09 Freightliner M2 - TTB Mount (SA3800 series)



- 1) Finish: Exterior flange is polished.
Siren speaker is ball-burnished.
- 2) For "through-the-bumper" mounting on
2004-09 Freightliner M2.

SAD3806 SAP3806



SAD3806 SAP3806 TTB Siren Speaker for 2011 Ford F Series SD (SA3800 series)



- 1) Finish: Exterior flange is polished.
Siren speaker is ball-burnished.
- 2) For "through-the-bumper" mounting on
2011 Ford F series SD.
- 3) No cutting templates required. Uses
existing bumper openings.

SAD3807 SAP3807

SAD3807 SAP3807 TTB Siren Speaker for 2010 Dodge 3500 Truck (SA3800 series)



- 1) Finish: Exterior flange is polished. Siren speaker is ball-burnished.
- 2) For "through-the-bumper" mounting on 2010 Dodge 3500 Truck.
- 3) Cutting templates required.

SAD3808 SAP3808

SAD3808 SAP3808 TTB Siren Speaker for 2011 International TerraStar and WorkStar Truck (SA3800 series)



- 1) Finish: Exterior flange is polished. Siren speaker is ball-burnished.
- 2) For "through-the-bumper" mounting on 2011 International TerraStar or WorkStar (no fog light openings).
- 3) Cutting templates required.

SAD3809 SAP3809



- 1) Finish: Exterior flange is polished. Siren speaker is ball-burnished.
- 2) For "through-the-bumper" mounting on 2011 Chevy C3500 HD (only - No GMC).
- 3) Cutting templates required.

SAD3809 SAP3809 TTB Siren Speaker for 2011 Chevy C3500 HD (only) Truck (SA3800 series)



SAD3810 SAP3810



- 1) Finish: Exterior flange is polished. Siren speaker is ball-burnished.
- 2) For "through-the-bumper" mounting on 2011 Ford F750.
- 3) Cutting templates required.

SAD3810 SAP3810 TTB Siren Speaker for 2011 Ford F750 Truck (SA3800 series)



SAD3811 SAP3811

1. Finish: ball-burnished with flange exterior polished.
2. Through-the-bumper mount on the 2015 Chevy C3500 only (thru Foglight opening).
3. **SAP3811 Passenger** side shown. **SAP3811 Driver** side is opposite.
4. **CT0232 PD** template set to aid in marking the speaker cut-out.

SAD3811 SAP3811 Driver / Passenger - Siren Speaker for 2015 Chevy C3500 - TTB Mount (SA3800 series speaker)



SAD3813 SAP3813

SAD3813-15TRN-1 SAP3813-15TRN-1 TTB Siren Speaker for 2015 Ford Transit Cargo - TTB Mount (SA3800 series speaker)



1. Finish: interior is ball-burnished with exterior flange and face polished.
2. TTB Siren Speaker for 2015 Ford Transit (SA3800 series speaker)

SAD3815 SAP3816

SAD3815 SAP3816-17FSD-1
TTB Siren Speaker for 2017 Ford F450 SD -
TTB Mount (SA3800 series speaker)



1. Finish: interior is ball-burnished with exterior flange and face polished.
2. TTB Siren Speaker for 2017 Ford F450 SD - TTB Mount (SA3800 series speaker)

SAD3819 SAP3820

SAD3819 SAP3820-19C45-1
TTB Siren Speaker for 2019 Chevy C4500 C5500
TTB Mount (SA3800 series speaker) with or
without Fog Light Openings



1. Finish: interior is ball-burnished with exterior flange and face polished.
2. TTB Siren Speaker for 2019 Chevy C4500 C5500 TTB Mount (SA3800 series speaker) with or without Fog Light Openings

SAD3821 SAP3822

**SAD3821
SAP3822-19-RAM-3500-1**
TTB Siren Speaker for 2019 Dodge Ram 3500,
4500, 5500 (SA3800 series speaker)



1. Finish: interior is ball-burnished with exterior flange and face polished.
2. TTB Siren Speaker for 2019 Dodge Ram 3500, 4500, 5500 (SA3800 series speaker)

SAD3823 SAP3824

SAD3823 SAP3824-19SPTR-1
TTB Siren Speaker for 2019 Sprinter with Front
DEF Tank
(SA3800 series speaker)



1. Finish: interior is ball-burnished with exterior flange and face polished.
2. TTB Siren Speaker for 2019 Sprinter with Front DEF Tank (SA3800 series speaker)

SAD3826 SAP3825

SAD3826 SAP3825-20TRANSIT-1
TTB Siren Speaker for 2020 Ford Transit Cargo -
Ferring TTB Mount (SA3800 series speaker)



1. Finish: interior is ball-burnished with exterior flange and face polished.
2. TTB Siren Speaker for 2020 Ford Transit Cargo - Ferring TTB Mount (SA3800 series speaker)

SAD3827 SAP3828

SAD3827 SAP3828-20FSD-1
TTB Siren Speaker for 2020 Ford F Series SD -
TTB Mount (SA3800 series speaker)



1. Finish: interior is ball-burnished with exterior flange and face polished.
2. TTB Siren Speaker for 2020 Ford F Series SD - TTB Mount (SA3800 series speaker)

SAD3829 SAP3830

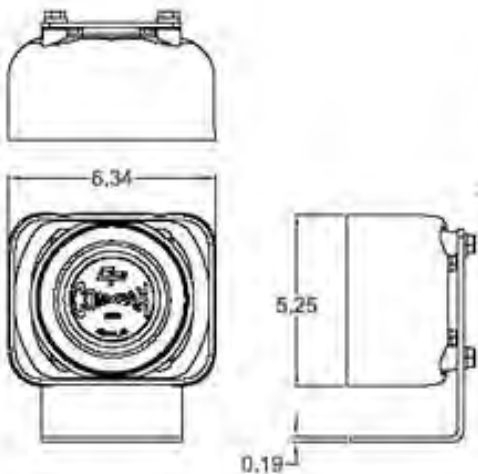
SAD3829 SAP3830-20C35-1 TTB Siren Speaker for 2020 Chevy C3500 - TTB Mount (SA3800 Series Speaker)



1. Finish: interior is ball-burnished with exterior flange and face polished.
2. TTB Siren Speaker for 2020 Chevy C3500 - TTB Mount (SA3800 Series Speaker)

SA4000 Series

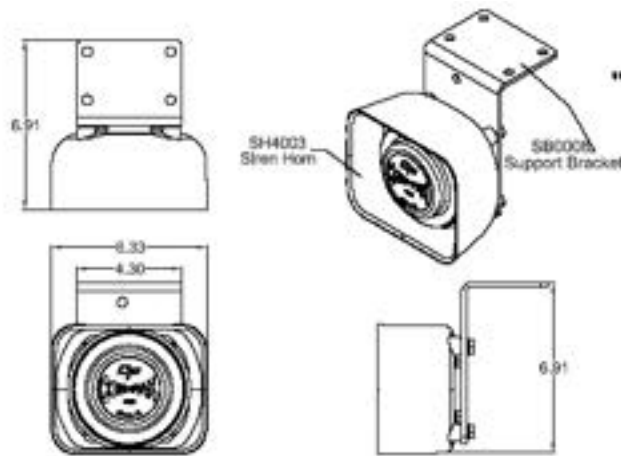
SA4201



SA4201 Compact Speaker with "L" Bracket

- 1) Finish: Cone and Horn are Ball-burnished. "L" bracket is Black Powder-Coated.
- 2) Important: See specs for matching electrical components and requirements.

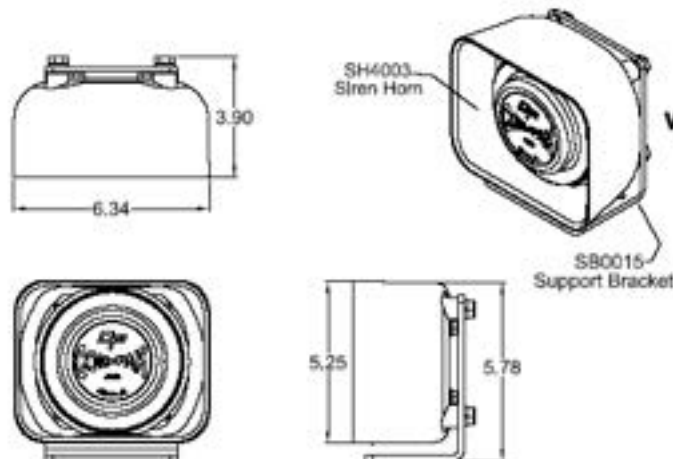
SA4204



SA4204 "Behind-the-Grille" Mount Compact Speaker

- 1) Finish: Cone and Horn are Ball-burnished. Bracket is Black Powder-Coated.
- 2) Important: See specs for matching electrical components and requirements.
- 3) Mounts behind the grille on the '98-'02 Ford Crown Victoria.

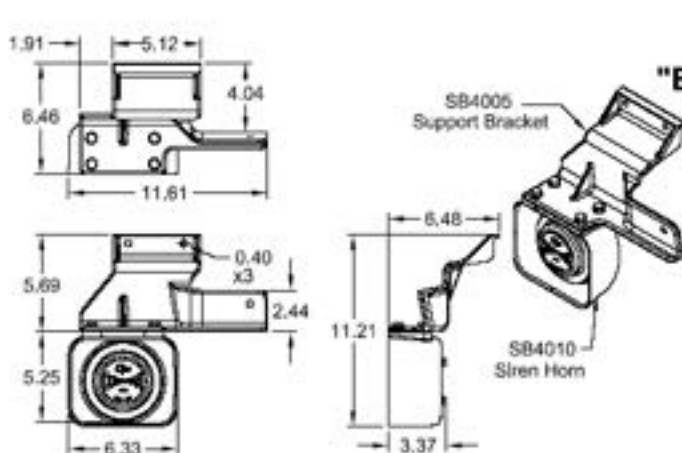
SA4206



SA4206 Compact Speaker with Shorter "L" Bracket

- 1) Finish: Cone, Horn and "L" Bracket are Black Powder-Coated.
- 2) Important: See specs for matching electrical components and requirements.

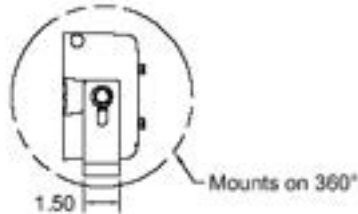
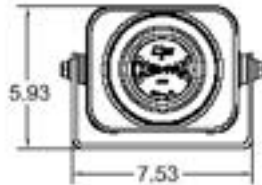
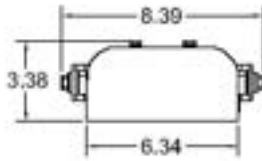
SA4208



SA4208 "Behind-the-Grille" Mount Compact Speaker

- 1) Finish: Cone and Horn are Ball-burnished. Brackets are Wheel-a-brated.
- 2) Important: See specs for matching electrical components and requirements.
- 3) Mounts behind the grille on the 2000-04 Chevy Tahoe and GMC Yukon.

SA4209

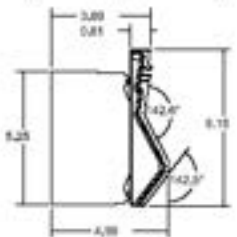
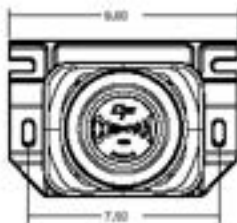


SA4209

Compact Speaker w/ "U" Shaped Mounting Bracket

- 1) Finish: Cone and Horn are Ball-burnished. Bracket is Black Powder-Coated.
- 2) Important: See specs for matching electrical components and requirements.

SA4210



SA4210

Compact Speaker "Behind-the-Bumper" Mount, '94-2002 Chevy Camaro

- 1) Finish: Cone and Horn are Ball-burnished. Bracket is wheel-a-brated.
- 2) Important: See specs for matching electrical components and requirements.
- 3) "Behind-the-Bumper" Mount, '94-2002 Chevy Camaro

SA4225

SA4225
Compact Speaker, "BTG"
Mount, 2015 Dodge Charger,
"Behind-the-Grille mount"

1) Finish: black powder coated.



SA4226

SA4226
Compact Speaker, "BTG"
Mount, 2015 Chevy Tahoe,
"Behind-the-Grille mount"

1) Finish: black powder coated.

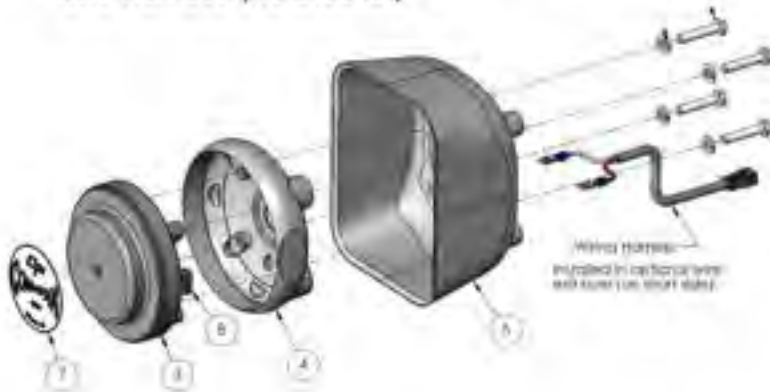


SA4227

SA4227-6BHG-A

Compact Speaker, w/ Wire Connector and Harness
(No Bracket)

1. Finish: powder coated black high gloss.
2. Compact Speaker, w/ Wire Connector and Harness (No Bracket)

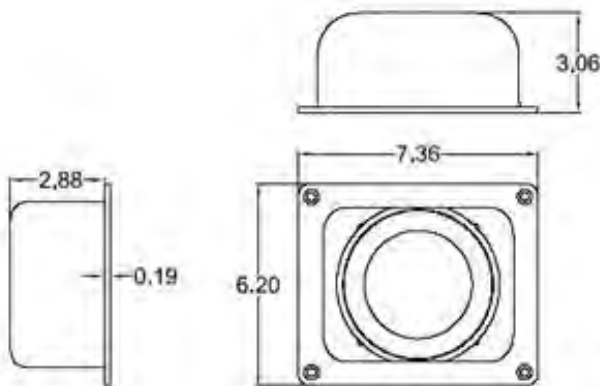


SA4301

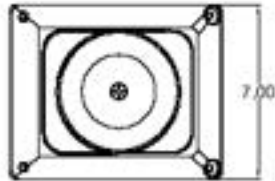
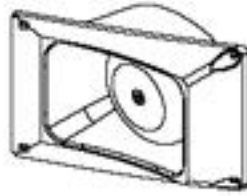
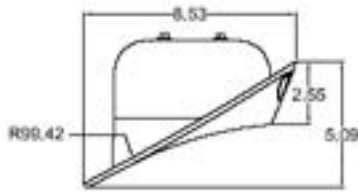
SA4301

"Through-the-Bumper"
Compact Speaker w/ Flat
Mounting Flange

- 1) Finish: Cone is Ball-burnished, Housing is polished.
- 2) Important: See specs for matching electrical components and requirements.
- 3) Designed to mount through the bumper of most firetrucks.



SA4303

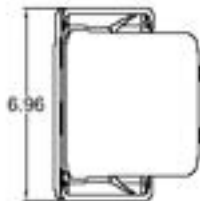
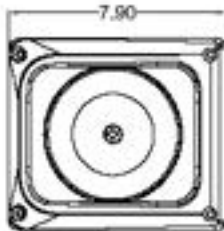
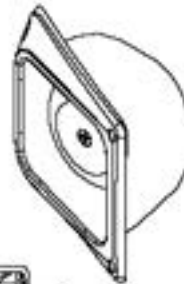


SA4303

"Through-the-Bumper" Compact Speaker

- 1) Finish: Cone and Housing are Ball-burnished.
- 2) Important: See specs for matching electrical components and requirements.
- 3) Designed to mount through the bumper of the '93-'99 Freightliner FL60.

SA4305

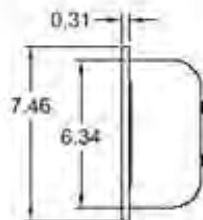
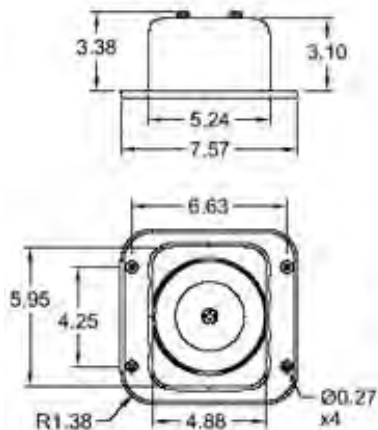


SA4305

"Through-the-Bumper" Compact Speaker

- 1) Finish: Cone is Ball-burnished. Housing is polished.
- 2) Important: See specs for matching electrical components and requirements.
- 3) Designed to mount through the bumper of the '99 Ford F650, F750.

SA4306

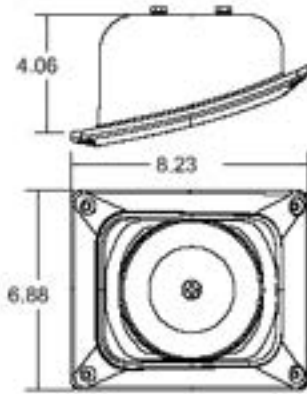


SA4306

"Through-the-Bumper" Compact Speaker

- 1) Finish: Cone is Ball-burnished. Housing is polished.
- 2) Important: See specs for matching electrical components and requirements.
- 3) Designed to mount through the bumper of the '99 Ford F650, F750.

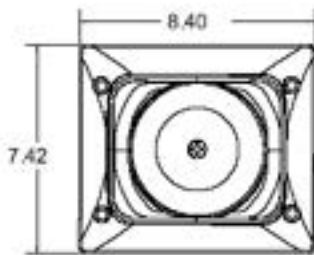
SA4310



SA4310 Compact Speaker, "Through-the-Bumper" Mount, 2003-05 International 7400

- 1) Finish: Cone is Ball-burnished. Housing is polished.
- 2) Important: See specs for matching electrical components and requirements.
- 3) Compact Speaker, "Through-the-Bumper" Mount, 2003-05 International 7400

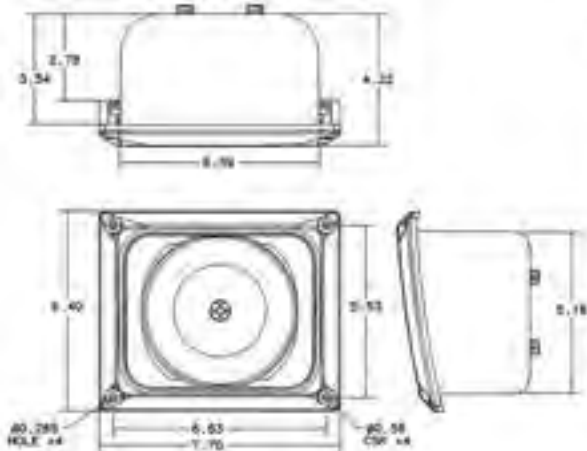
SA4311



SA4311 Compact Speaker, "Through-the-Bumper" Mount, 2003-05 M2 Freightliner

- 1) Finish: Cone is Ball-burnished. Housing is polished.
- 2) Important: See specs for matching electrical components and requirements.
- 3) Compact Speaker, "Through-the-Bumper" Mount, 2003-05 M2 Freightliner w/ pre-cut holes

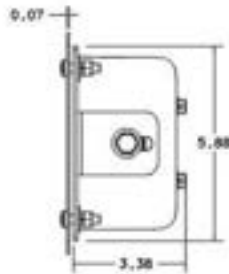
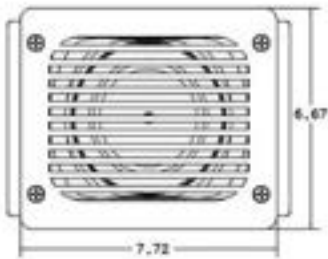
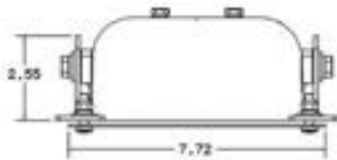
SA4316



SA4316 Compact Speaker, "Through-the-Bumper" Mount, 2007-08 G3500 Van (for Dual Center Mount)

- 1) Finish: Polished cone and exterior flange with interior ball-burnished

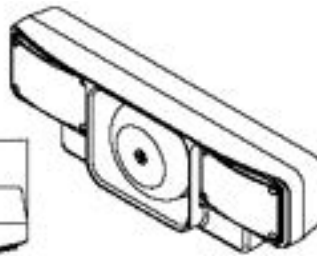
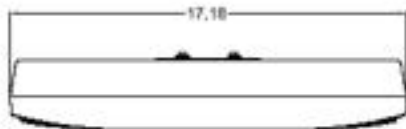
SA4317



SA4317 Compact Speaker, "Through-the-Bumper" Mount - Universal (Stamped Face Trim)

1) Finish: Stamped face trim is polished. Housing, cone and brackets are black powder-coated.

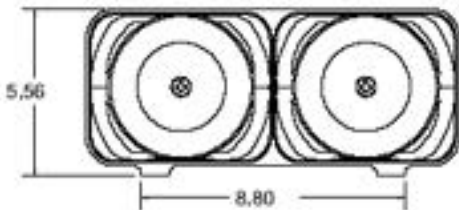
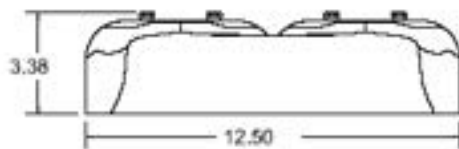
SA4401



SA4401 Bumper Mount Compact Speaker

1) Finish: Cone is Ball-burnished. Housing is polished.
2) Important: See specs for matching electrical components and requirements.
3) Bumper Mount design with 2 3" x 5" linear strobe lights.
4) Light Spacer available for older 3" x 4" lights.

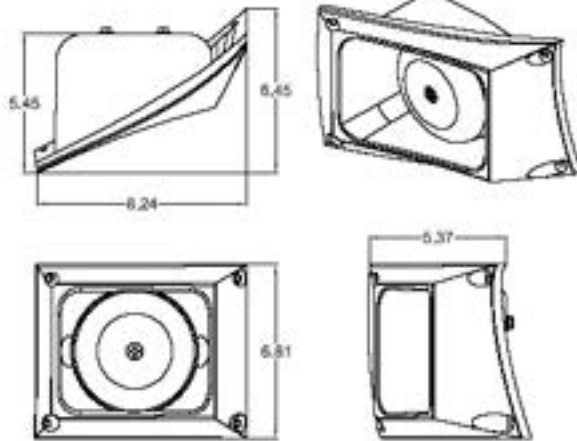
SA4402



SA4402 Double Compact Speaker, Bumper Mount

1) Finish: Ball-burnished.
2) Double Compact Speaker, Bumper Mount

SAD4302 SAP4302

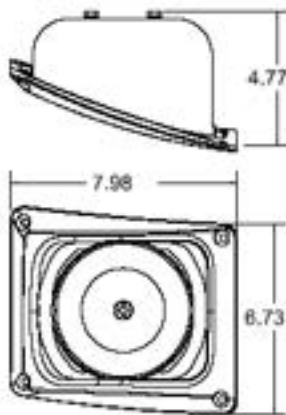


SAD SAP4302

Through-the-Bumper Mount Compact Speaker 99-05 Ford F Series SD

- 1) Finish: Ball-burnished with cone and flange polished.
- 2) Important: See specs for matching electrical components and requirements.
- 3) Designed to mount through the bumper on 1999-05 Ford F Series SD

SAD4307 SAP4307

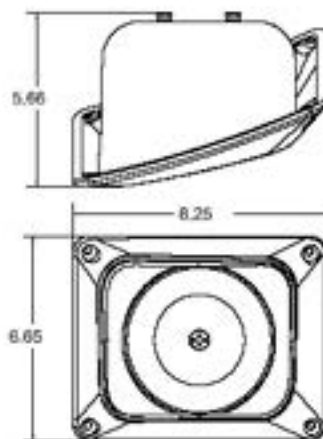


SAD SAP4307

Compact Speaker, Driver, "TTB" Mount, 2002-05 International 4300-4400

- 1) Finish: Ball-burnished with cone and flange polished.
- 2) Important: See specs for matching electrical components and requirements.
- 3) Designed to mount through the bumper, 2002-05 International 4300-4400

SAD4308 SAP4308

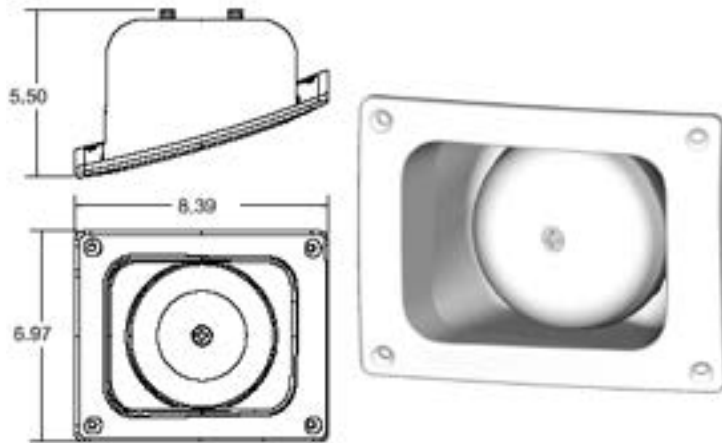


SAD SAP4308

Compact Speaker, Driver, "TTB" Mount, 2003-05 Chevy C4500

- 1) Finish: Ball-burnished with cone and flange polished.
- 2) Important: See specs for matching electrical components and requirements.
- 3) Designed to mount through the bumper, 2003-05 Chevy C4500

SAD4309 SAP4309

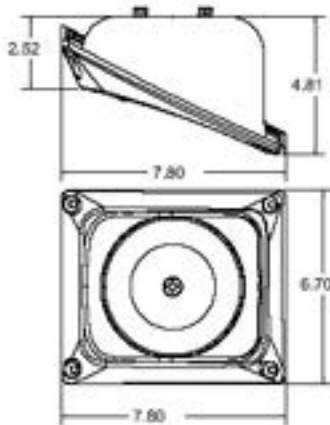


SAD SAP4309

**Compact Speaker, Driver,
"TTB" Mount, 2003-05 Ford
E550 SD Van**

- 1) Finish: Ball-burnished with cone and flange polished.
- 2) Important: See specs for matching electrical components and requirements.
- 3) Designed to mount through the bumper, 2003-05 Ford E550 SD Van

SAD4312 SAP4312

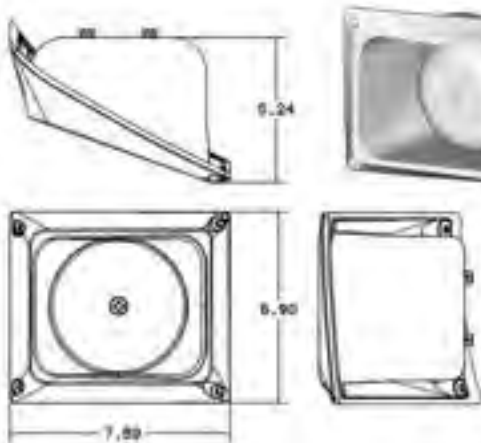


SAD SAP4312

**Compact Speaker, Driver,
"TTB" Mount, 2005 Ford
F350 SD**

- 1) Finish: Ball-burnished with cone and flange polished.
- 2) Important: See specs for matching electrical components and requirements.
- 3) Designed to mount through the bumper, 2005 Ford F350 SD

SAD4314 SAP4314



SAD SAP4314

**Compact Speaker,
"Through-the-Bumper"
Mount (2008 Ford F350 SD)**

- 1) Finish: Polished cone and polished exterior flange with interior ball-burnished.
- 2) SAD4314 Driver side
SAP4314 Passenger side.

SAD4318 SAP4318

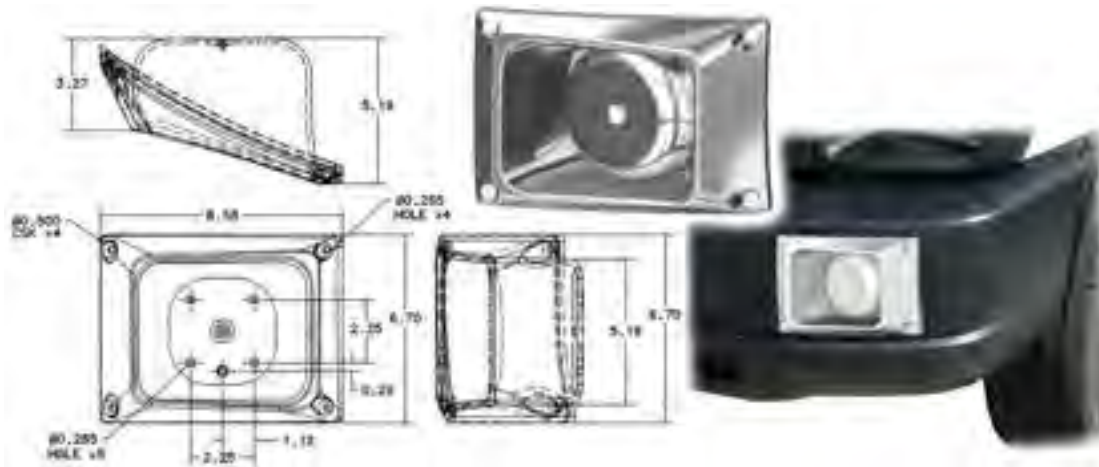


SAD SAP4318

Compact Speaker, (2008
International 4300 Maxx-
Force DT - TTB Mount)

- 1) Finish: Polished cone and polished exterior flange with interior ball-burnished.
- 2) SAD4318 Driver side
SAP4318 Passenger side

SAD4319 SAP4319



SAD SAP4319

Compact Speaker, (2008
Ford E350 SD Van
Chassis - TTB Mount)

- 1) Finish: Polished cone and polished exterior flange with interior ball-burnished.
- 2) SAD4319 Driver side
SAP4319 Passenger side

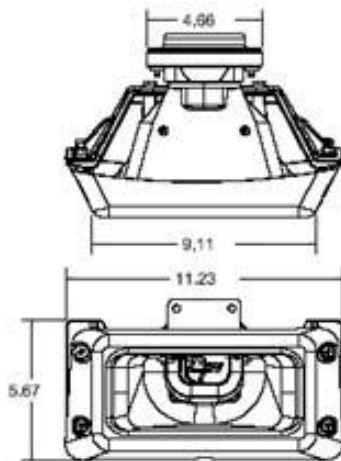
SAD4321



SAD4321-8FSD-6B
Driver Side Speaker (2008 Ford F Series
SD - BTB Mount - Fog Light opening)

SA5000 Series

SA5403



SA5403
Siren Speaker,
"Through-the-Bumper"
Mount 2003-05 Freightliner
M2 - pre-cut holes

- 1) Finish: Trim Bezel is polished, Cone, Horn and bracket are Wheel-a-brated,
- 2) Important: See specs for matching electrical components and requirements,
- 3) Siren Speaker, "Through-the-Bumper" Mount 2003-05 Freightliner M2 - pre-cut holes

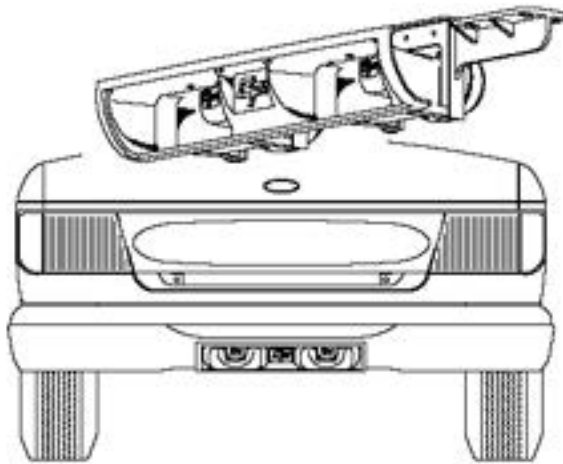
SA5414



SA5414 Siren Speaker Assembly, "Through-the-Bumper" Mount (International TerraStar)

1) Finish: Polished exterior flange with interior ball-burnished.

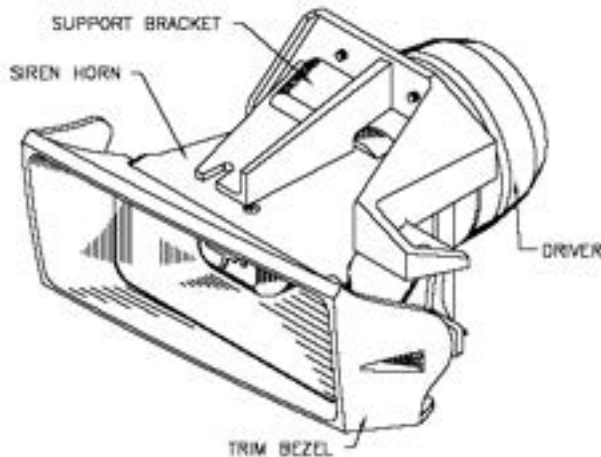
SA5501



SA5501 "Under-the-Bumper" Mount Siren Speaker

- 1) Finish: Trim Bezel is polished. Cone and Horn are Ball-burnished. Bracket is wheel-a-brated.
- 2) Important: See specs for matching electrical components and requirements.
- 3) Designed as an under the bumper mount on most heavy duty vehicles.

SAD5401 SAP5401



SAD SAP5401 Under-the-Bumper Mount Siren Speaker

- 1) Finish: Trim Bezel, Cone, and Horn are Wheel-a-brated.
- 2) Important: See specs for matching electrical components and requirements.
- 3) Designed to mount under the bumper.

SA6000 Series

SA6004



SA6004

**Dual Siren Speakers
"Under-the-Bumper" Mount
'2000-04 Ford E350**

- 1) Finish: black powder-coated.
- 2) Important: See specs for matching electrical components and requirements.
- 3) Dual Siren Speakers "Under-the-Bumper" Mount '2000-04 Ford E350

SA6011



SA6011

**Dual Siren Speakers
"Under-the-Bumper" Mount
2005 Ford E350 Van**

- 1) Finish: black powder-coated.
- 2) Important: See specs for matching electrical components and requirements.
- 3) Dual Siren Speakers "Under-the-Bumper" Mount 2005 Ford E350 van with center bumper holes.



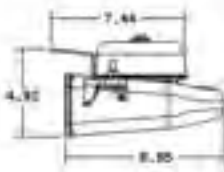
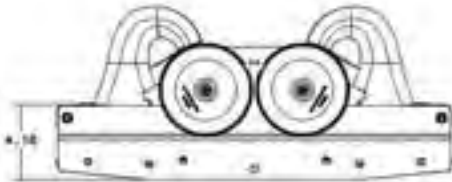
SA6016



SA6016 Dual Siren Speaker, "Under-the-Bumper" Mount 2008 Ford E350 Van Chassis (Center Mount UTB)

1) Finish: Powder coated black.

SA6113

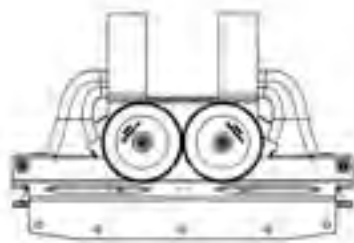


SA6113 Dual Siren Speaker, "Under-the-Bumper" 6100 Series Mount 2008 Ford F350 SD

1) Finish: Powder coated black.



SA6114



SA6114 Dual Siren Speaker, "Under-the-Bumper" 6100 Series Mount 2007- 08 Chevy/GMC C3500 HD - new body style (Center Mount UTB)

1) Finish: Powder coated black.



SA6117



SA6117-15FTC-6B
Dual Siren Speaker Each,
"Under-the-Bumper" Mount
2015 Ford Transit Cargo Van
(Center Mount UTB)

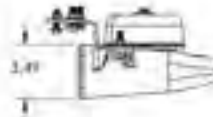
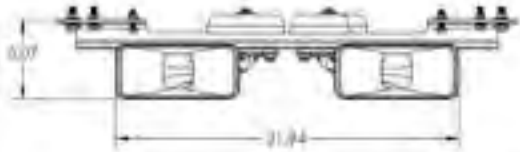
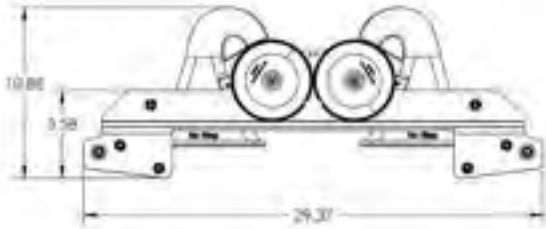
1) Finish: Black powder-coated



SA6118

SA6118-17FSD-6B

SA6100 Series UTB 2017 Ford F Series SD



1. Dual Siren Speaker Each, "Under-the-Bumper" Mount 2017 Ford F450 SD (Center Mount UTB)
2. Finish: powder coated black.

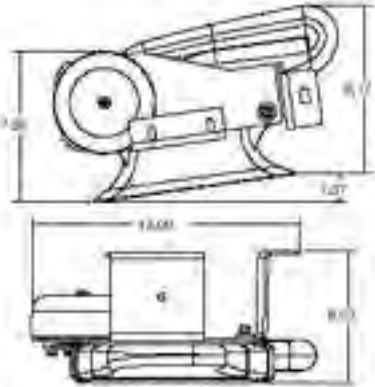
SA6300

SA6300
Vertical siren speaker



SAD6007 SAP6007

SAD SAP6007
Under-the-Bumper
Mount Siren
Speaker 2004-05
Ford E350



- 1) Finish: powder-coated black or wheel-a-brated.
- 2) Important! See specs for matching electrical components and requirements.
- 3) Designed to mount under the bumper 2004-05 Ford E350

SAD6301 SAP6301

- 1) Finish: powder coated black
- 2) For "Through-the-Bumper" Mount 2008-11 Sprinter.

SAD SADP6301 Siren Speaker Assembly, "Through-the-Bumper" Mount 2008-11 Sprinter4300



SAD6302 SAP6302

- 1) Finish: powder coated black
- 2) For "Through-the-Bumper" Mount 2008-11 Sprinter with the smaller DEF Tank option.

SAD SADP6302 Siren Speaker Assembly, "Through-the-Bumper" Mount 2008-11 Sprinter4300 with small DEF Tank



SAD6303 SAP6303



SA7000 Series

SA7001



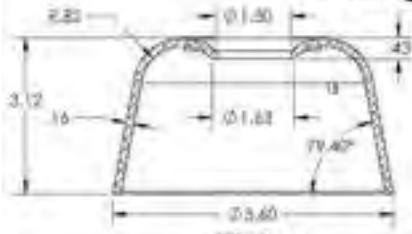
SA7001 Round Siren Speaker

- 1) Finish: Light Gray or Wheel-a-brated. Cone finish is light gray (Wheel-a-brated), painted, or polished.
- 2) Important: See specs for matching electrical components and requirements.

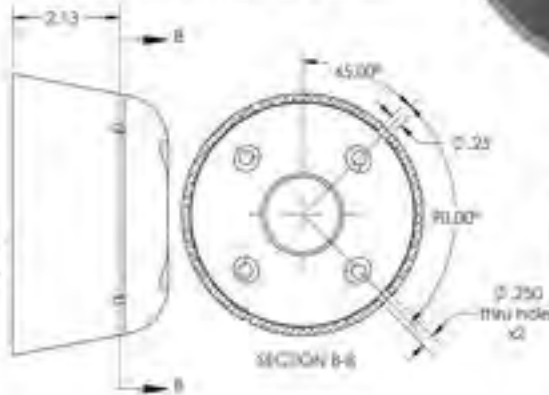
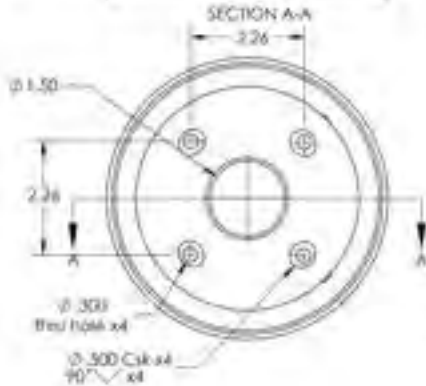
SA7001-A

SA7001-1-A

Siren Speaker, Round Cast Bell
Housing w/ 2 side mounting holes

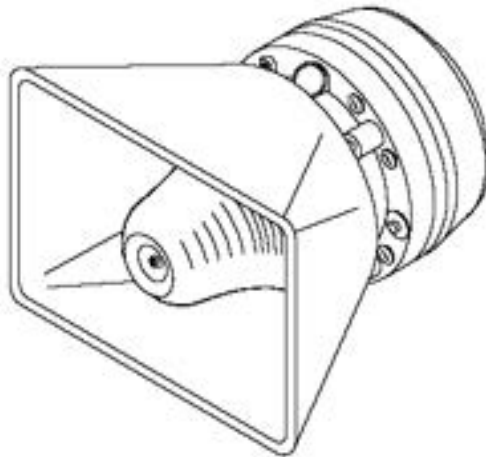


1. Finish: Polished exterior
with ball-burnished interior.



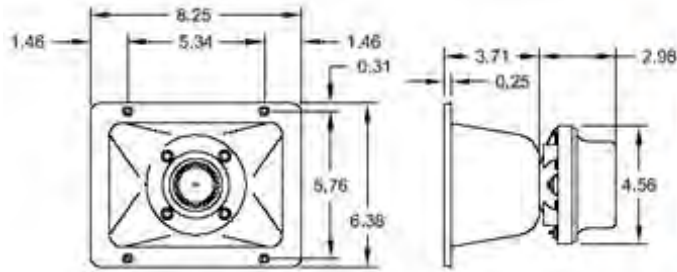
SA7003

SA7003 Rectangular Siren Speaker



- 1) Finish: Light Gray or Wheel-a-brated. Cone finish is light gray (Wheel-a-brated), painted or polished.
- 2) Important: See specs for matching electrical components and requirements.

SA7004

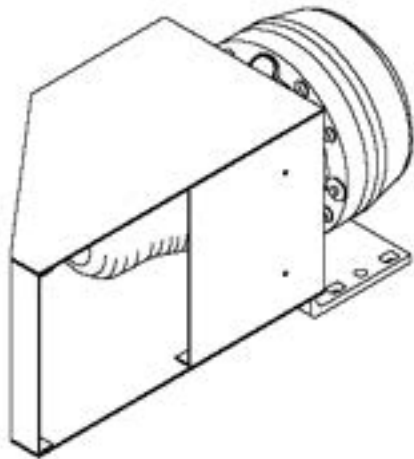


SA7004

Rectangular Siren Speaker with Mounting Flange

- 1) Finish: Light Gray or Wheel-a-brated. Cone finish is light gray (Wheel-a-brated), painted or polished.
- 2) Important: See specs for matching electrical components and requirements.

SA7006



SA7006

Gray Metal Concealed Siren Speaker

- 1) Finish: Gray Metal.
- 2) Important: See specs for matching electrical components and requirements.
- 3) Concealable, for many applications including behind-the-grille mounts.

SA7007



SA7007

ABS Rectangular Siren Speaker

- 1) Finish: Black
- 2) Important: See specs for matching electrical components and requirements.
- 3) Industry standard lightbar speaker.
- 4) Lightbar, Grille, or Push-bar mount.

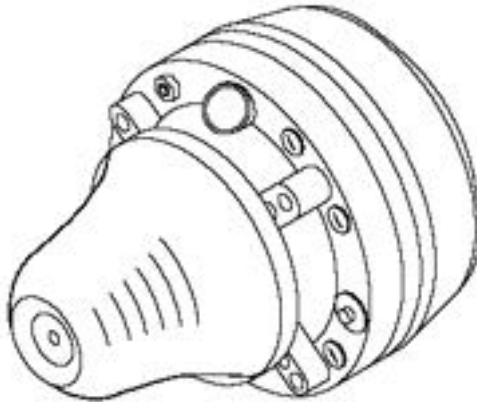
SA7010



SA7010
Siren Speaker for
International C4700
Bumper Holes

- 1) Finish: Ball-burnished.
- 2) Important: See specs for matching electrical components and requirements.
- 3) Mounts to the 4" x 6" holes found in the chrome plated bumpers on the International C4700 Heavy Duty Trucks.

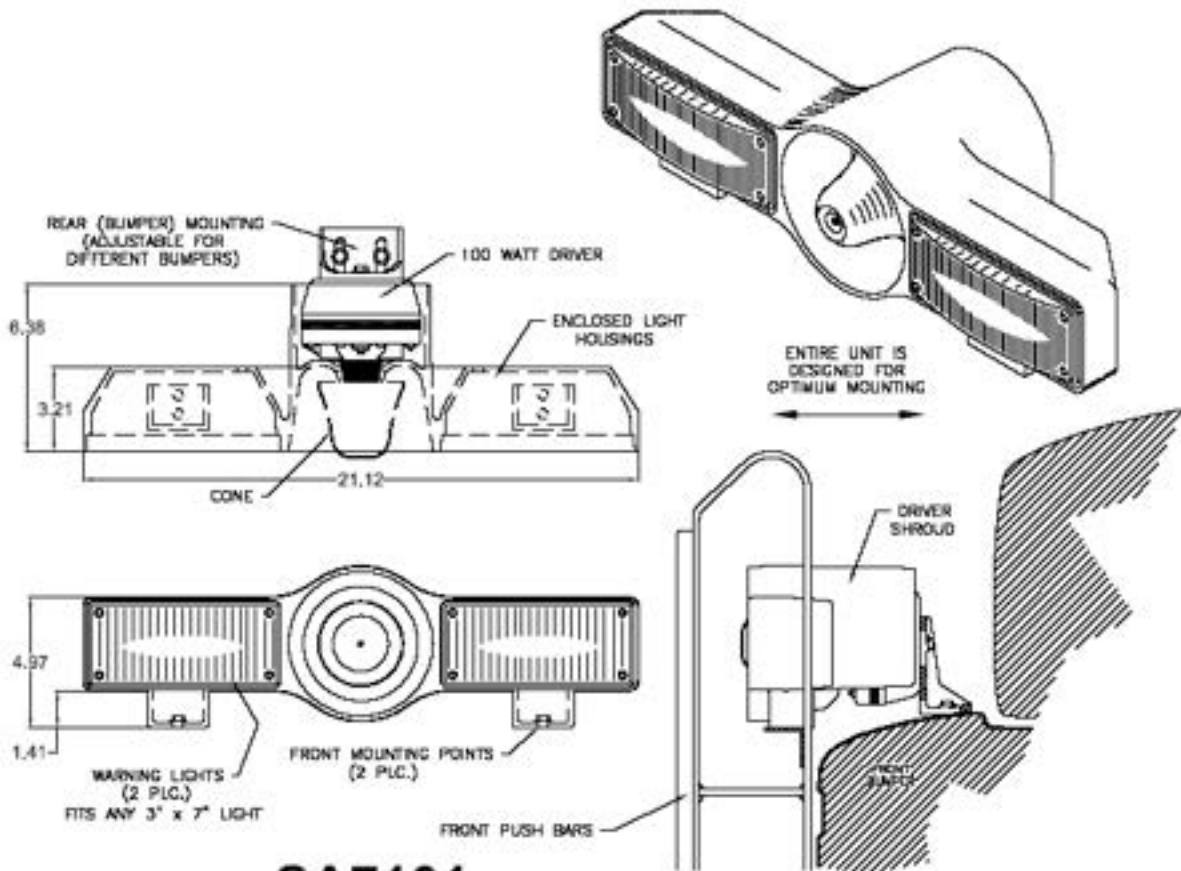
SA7011



SA7011
Siren Speaker

- 1) Finish: Black Powder-Coated.
- 2) Important: See specs for matching electrical components and requirements.
- 3) Speaker Driver and Short screw-on tip only.

SA7101

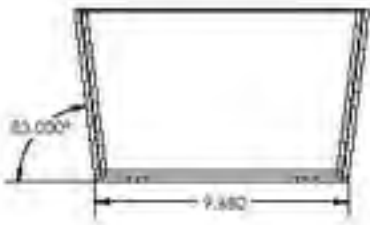


SA7101

Push-Bar Mount Siren Speaker for 3" x 7" Warning Lights

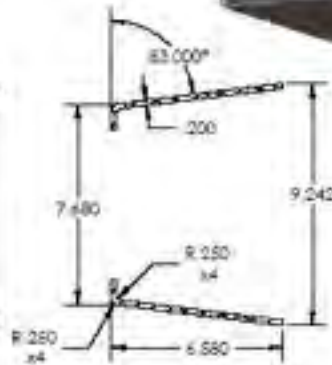
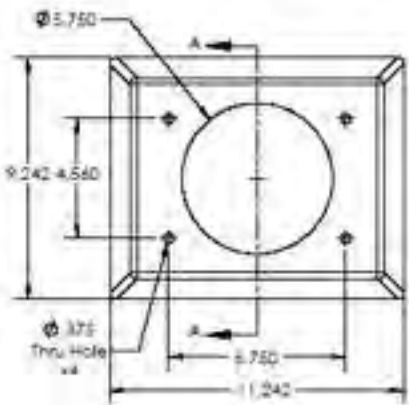
- 1) Black powder coated or Wheel-a-brated (Light Gray).
- 2) Important: See Specs for matching electrical components and requirements.
- 3) Application: Mounts to the Push-bar between the uprights and uses an optional adjustable bracket for supporting the driver weight (to help eliminate vibration). Different brackets for other vehicle applications can be made upon request.

SH0001



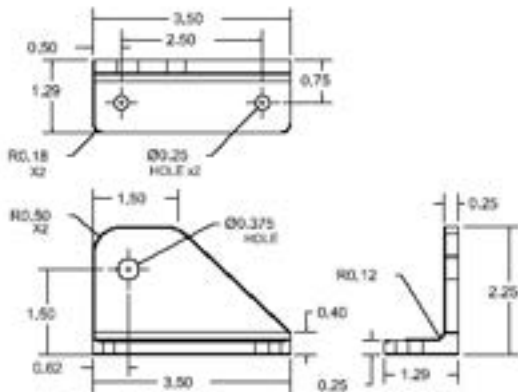
SH0001
Siren Box Casting

1) Finish: Exterior Surface Polished



Steps

SP0003



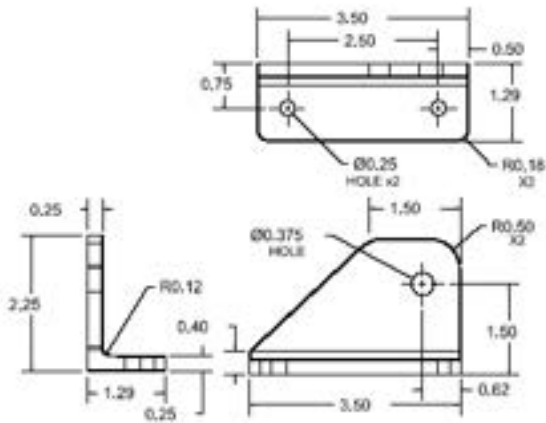
SP0003

Lefthand Step Bracket

1) Finish; ball-burnished,



SP0004



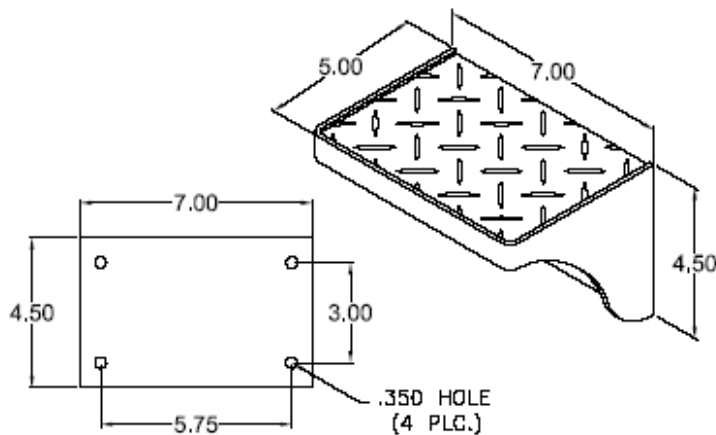
SP0004

Righthand Step Bracket

1) Finish: ball-burnished.



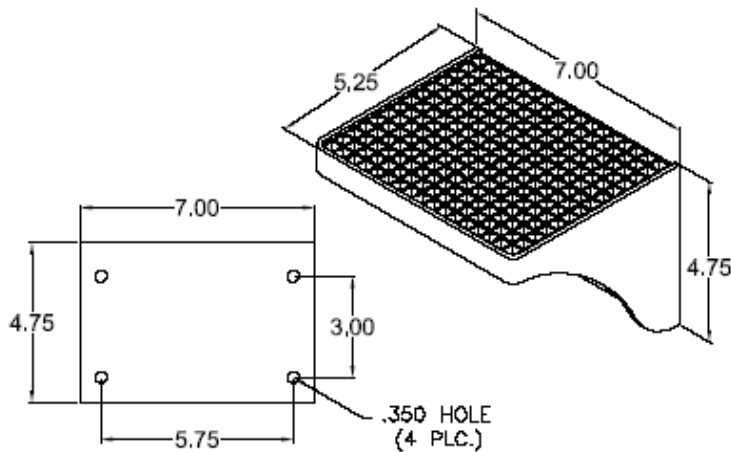
SP2001



SP2001
Surface Mount
Step

1) Finish: All outside surfaces are polished. Inside is bead-blasted.

SP2002

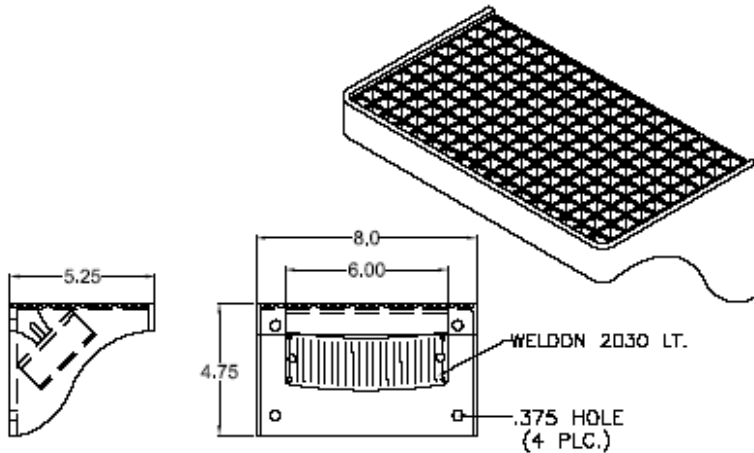


SP2002

Surface Mount Step
with Pyramid Tread

1) Finish: All outside surfaces are polished. Inside is bead-blasted.

SP2003

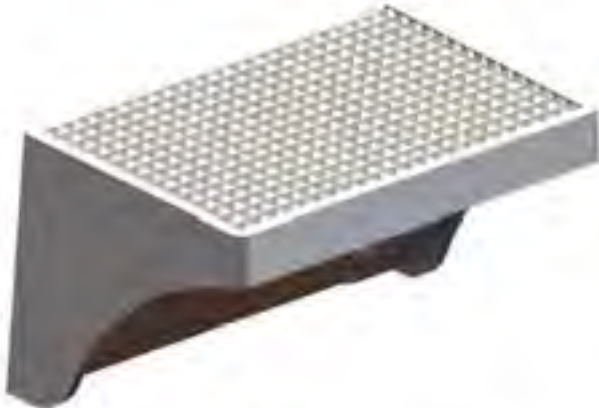


SP2003

Surface Mount Step with Pyramid Tread

- 1) Finish: All outside surfaces are polished. Inside is bead-blasted.
- 2) Designed to use a Weldon 2030 clear light mounted at a 45° angle (optional).

SP2003-B



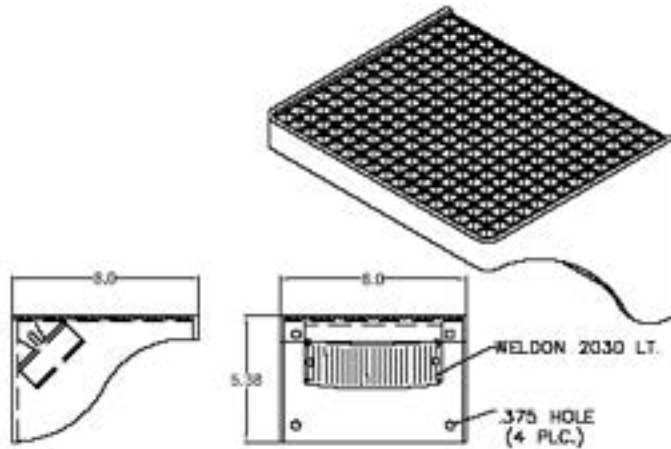
SP2003-B

Surface Mount Step (5-1/4" x 8", Pyramid) w/ LED Light



- 1) Finish: Exterior surfaces are polished.
Inside is ball-burnished
- 2) Supplied w/ LED light (WL0501 type),
SP0007 adapter casting for LED,
and mounting screws.

SP2004



SP2004

Surface Mount Step w/ Light with Pyramid Tread

- 1) Finish: All outside surfaces are polished. Inside is bead-blasted.
- 2) Designed to use a Weldon 2030 clear light mounted at a 45° angle (optional).
- 3) Designed to meet new 1901-20 Specs.

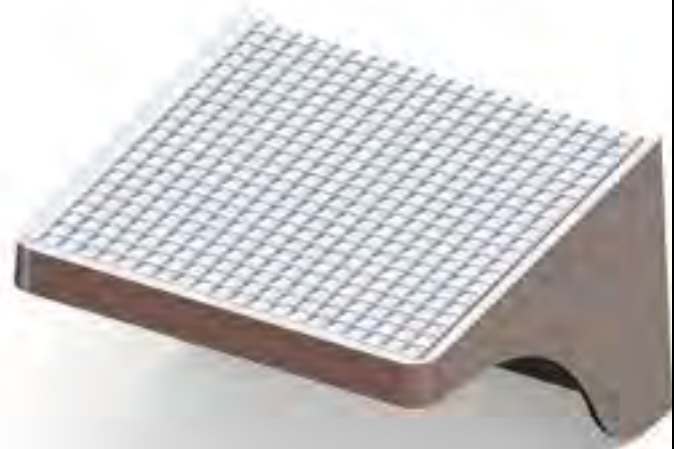
SP2004-D



SP2004-D

Surface Mount Step (8"x 8", Pyramid) w/ LED Light

- 1) Finish: Exterior surfaces are polished. Inside is ball-burnished
- 2) Supplied w/ LED light (WL0501 type), SP0007 adapter casting for LED, and mounting screws.



SP2004-TB



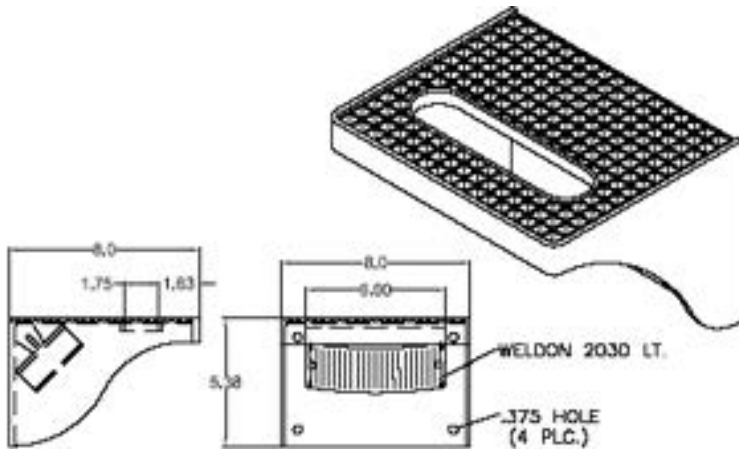
SP2004-TB

Surface Mount Step
(8" x 8", Pyramid w/ through holes)
w/ LED Light



- 1) Finish: Exterior surfaces are polished. Inside is ball-burnished
- 2) Supplied w/ LED light (WL0501 type), SP0007 adapter casting for LED, and mounting screws.

SP2006



SP2006

Surface Mount Step w/ Light with Pyramid Tread & Handhold

- 1) Finish: All outside surfaces are polished. Inside is bead-blasted.
- 2) Designed to use a Weldon 2030 clear light mounted at a 45° angle (optional).
- 3) Designed to meet new 1901-20 Specs.

SP2006-B



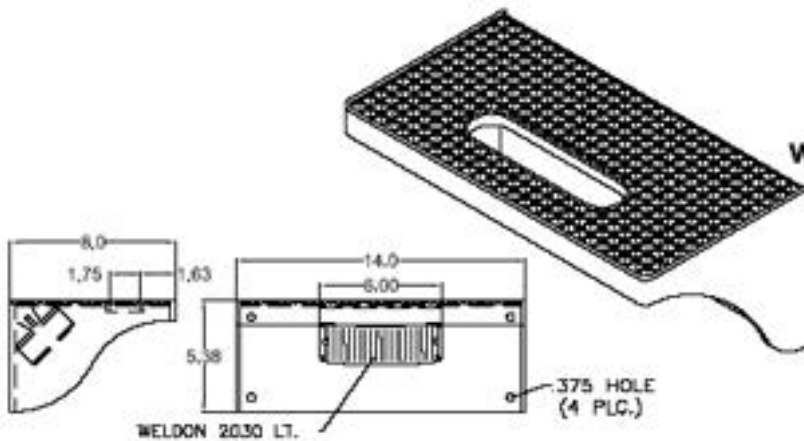
SP2006-B

Surface Mount Step
(8"x 8", Pyramid w/ Handhold)
w/ LED Light



- 1) Finish: Exterior surfaces are polished. Inside is ball-burnished
- 2) Supplied w/ LED light (WL0501 type), SP0007 adapter casting for LED, and mounting screws.

SP2007



SP2007

Surface Mount Step w/ Light with Pyramid Tread & Handhold

- 1) Finish: All outside surfaces are polished. Inside is bead-blasted.
- 2) Designed to use a Weldon 2030 clear light mounted at a 45° angle (optional).
- 3) Designed to meet new 1901-20 Specs.

SP2007-B

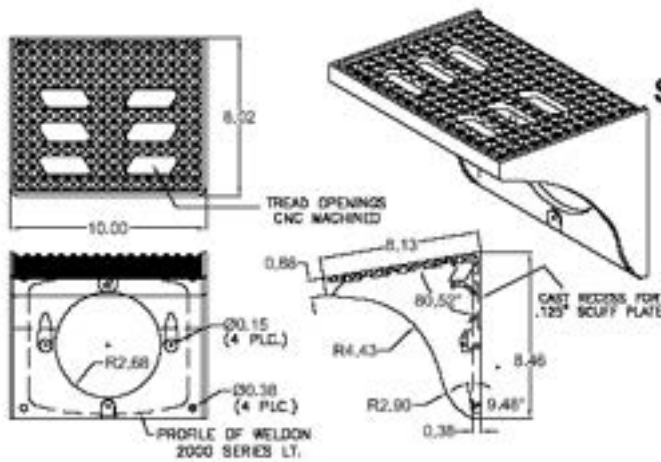


SP2007-B Surface Mount Step (8"x 14", Pyramid w/ Handhold) w/ LED Light



- 1) Finish: Exterior surfaces are polished. Inside is ball-burnished
- 2) Supplied w/ LED light (WL0501 type), SP0007 adapter casting for LED, and mounting screws.

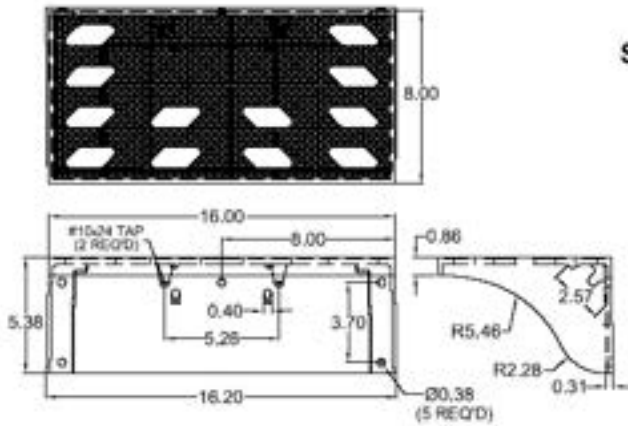
SP2008



SP2008 Surface Mount Step w/ Light with Pyramid Tread

- 1) Finish: All outside surfaces are polished. Inside is bead-blasted.
- 2) Designed to use a Weldon 2000 Series light mounted at a 0° angle (vehicle body is mounted at a 9.48° angle).
- 3) Polished scuff plate available.

SP2009



SP2009

Surface Mount Step w/ Light with Pyramid Tread

- 1) Finish: All outside surfaces are polished, inside is bead-blasted.
- 2) Designed to use a Weldon 2030 Series light mounted at a 45° angle (optional).



SP2009-B



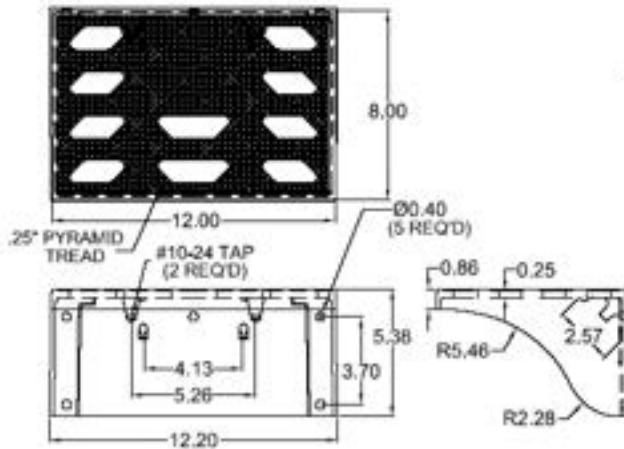
SP2009-B

Surface Mount Step (8" x 16", Pyramid w/ through holes) w/ LED Light

- 1) Finish: Exterior surfaces are polished. Inside is ball-burnished
- 2) Supplied w/ LED light (WL0501 type), SP0007 adapter casting for LED, and mounting screws.



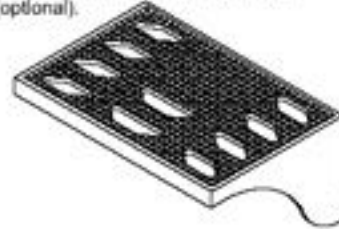
SP2010



SP2010

Surface Mount Step w/ Light with Pyramid Tread

- 1) Finish: All outside surfaces are polished, inside is bead-blasted.
- 2) Designed to use a Weldon 2030 Series light mounted at a 45° angle (optional).



SP2010-B



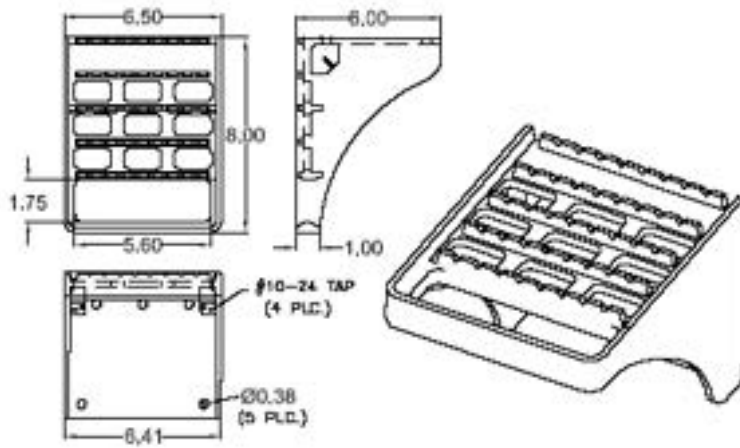
SP2010-B

Surface Mount Step (8" x 12", Pyramid w/ through holes) w/ LED Light

- 1) Finish: Exterior surfaces are polished.
Inside is ball-burnished
- 2) Supplied w/ LED light (WL0501 type),
SP0007 adapter casting for LED,
and mounting screws.



SP2011



SP2011

Surface Mount Step w/ Light with Raised Tread & Handhold

- 1) Finish: All outside surfaces are polished.
- 2) Designed to mount a Weldon 2030 clear light mounted at a 45° angle (optional).
- 3) Designed to meet new 1901-20 specs.
- 4) Raised "Open" tread design.

SP2011-C



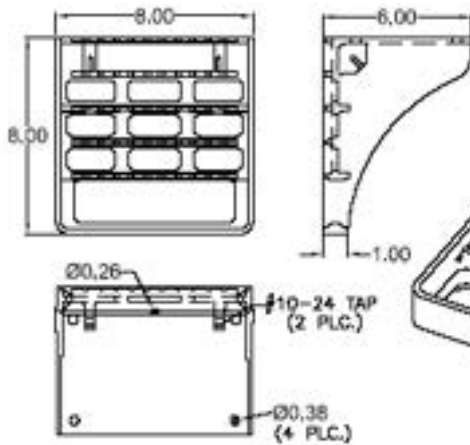
SP2011-C

Surface Mount Step (6-1/2" x 8", Raised w/ Handhold) w/ LED Light

- 1) Finish: Exterior surfaces are polished.
Inside is ball-burnished
- 2) Supplied w/ LED light (WL0501 type),
SP0007 adapter casting for LED,
and mounting screws.



SP2012



SP2012

Surface Mount Step w/ Light with Raised Tread & Handhold

- 1) Finish: All outside surfaces are polished.
- 2) Designed to mount a Weldon 2030 clear light mounted at a 45° angle (optional).
- 3) Designed to meet new 1901-20 specs.
- 4) Raised "Open" tread design.

SP2012-D



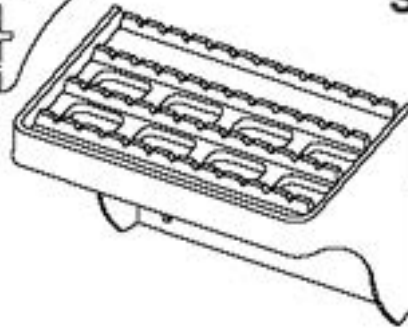
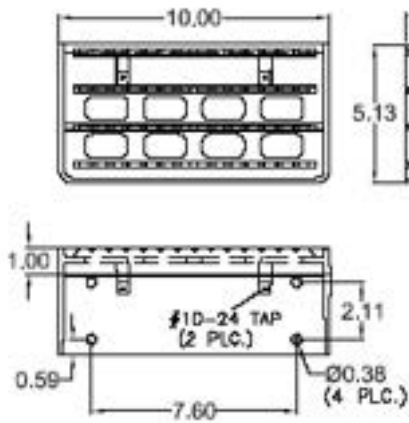
SP2012-D

Surface Mount Step (8" x 8", Raised w/ Handhold) w/ LED Light

- 1) Finish: Exterior surfaces are polished.
Inside is ball-burnished
- 2) Supplied w/ LED light (WL0501 type),
SP0007 adapter casting for LED,
and mounting screws.



SP2013



SP2013

Surface Mount Step w/ Light with Raised Tread

- 1) Finish; All outside surfaces are polished.
- 2) Designed to mount a Weldon 2030 clear light mounted at a 45° angle (optional).
- 3) Raised "Open" tread design.

SP2013-B



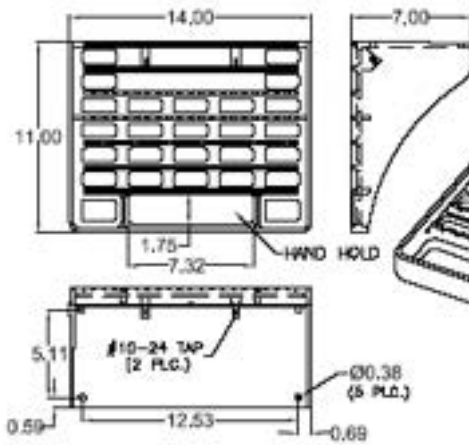
SP2013-B

Surface Mount Step (5-1/8" x 10", Raised) w/ LED Light

- 1) Finish: Exterior surfaces are polished.
Inside is ball-burnished
- 2) Supplied w/ LED light (WL0501 type),
SP0007 adapter casting for LED,
and mounting screws.



SP2014



SP2014

Surface Mount Step w/ Light with Raised Tread & Handhold

- 1) Finish: All outside surfaces are polished.
- 2) Designed to mount a Weldon 2030 clear light mounted at a 45° angle (optional).
- 3) Designed to meet new 1901-20 specs.
- 4) Raised "Open" tread design.

SP2014-B



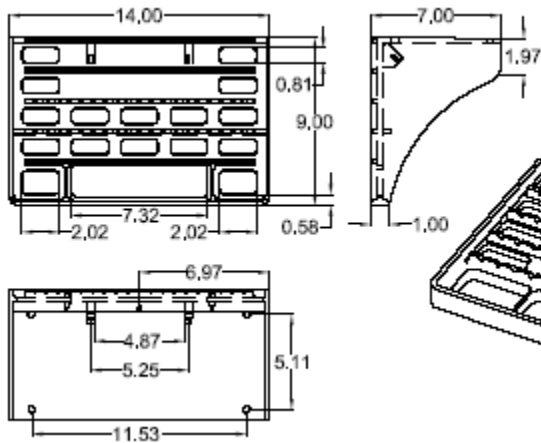
SP2014-B

Surface Mount Step (11"x 14", Raised w/ Handhold) w/ LED Light

- 1) Finish: Exterior surfaces are polished. Inside is ball-burnished
- 2) Supplied w/ LED light (WL0501 type), SP0007 adapter casting for LED, and mounting screws.



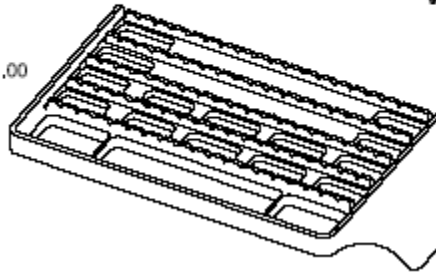
SP2016



SP2016

Surface Mount Step w/ Light with Raised Tread & Handhold

- 1) Finish: All outside surfaces are polished.
- 2) Designed to use a Weldon 2030 clear light mounted at a 45° angle (optional).
- 3) Raised "Open" tread design.



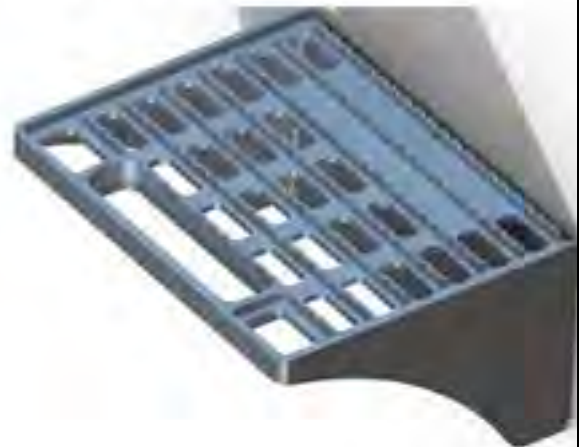
SP2016-B



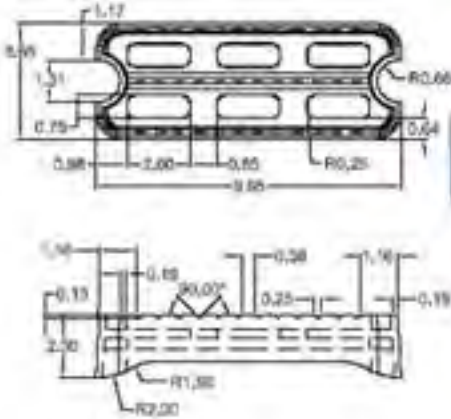
SP2016-B

Surface Mount Step (8" x 14", Raised w/ Handhold) w/ LED Light

- 1) Finish: Exterior surfaces are polished.
Inside is ball-burnished
- 2) Supplied w/ LED light (WL0501 type),
SP0007 adapter casting for LED,
and mounting screws.



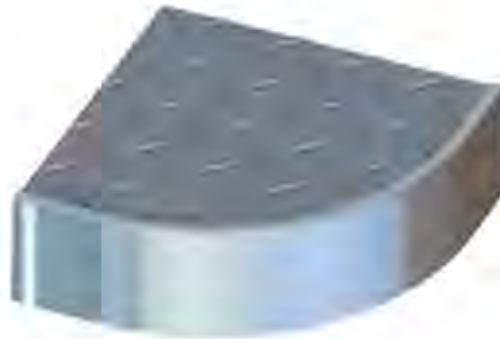
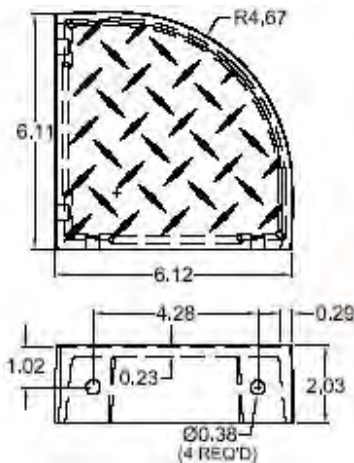
SP2017



**SP2017
Rear Ladder Step**

- 1) Finish: All outside surfaces are polished.
- 2) Raised "Open" tread design.

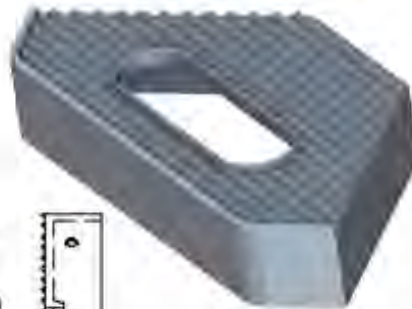
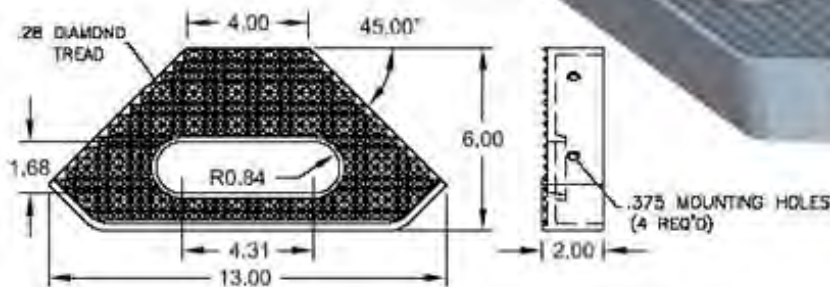
SP2018



**SP2018
Inside Corner
Step**

- 1) Finish: All outside surfaces are polished.

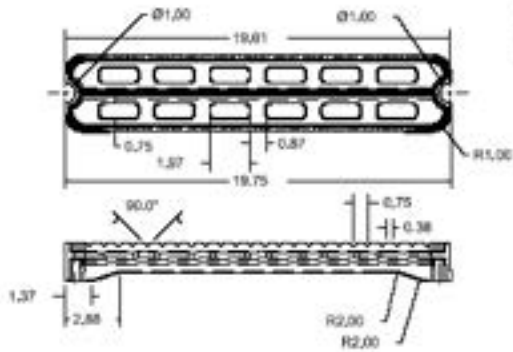
SP2023



**SP2023
Inside Corner Step
with Hand-Hold**

- 1) Finish: All outside surfaces are polished.

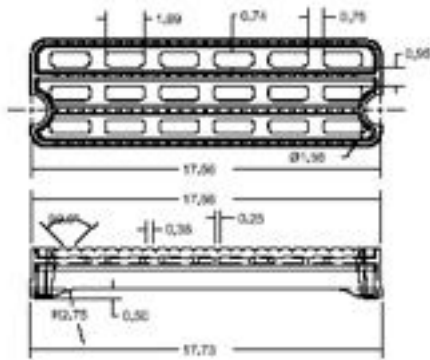
SP2024



SP2024 Ladder Step w/ Raised Tread

1) Finish: ball-burnished

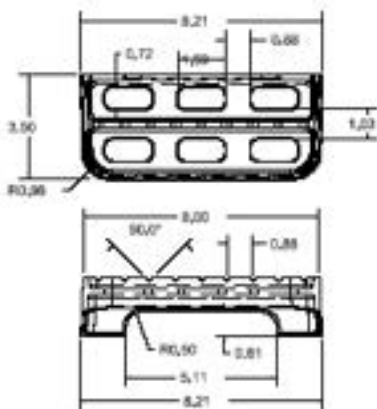
SP2025



SP2025 Ladder Step w/ Raised Tread

1) Finish: wheel-a-brated

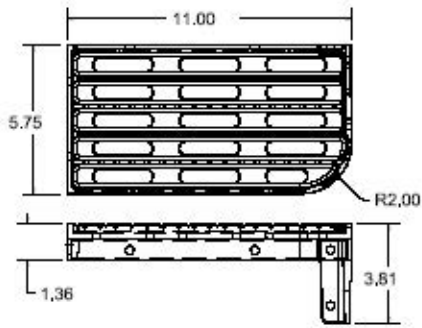
SP2026



SP2026 Wheel Well Step w/ Raised Tread

1) Finish: ball-burnished

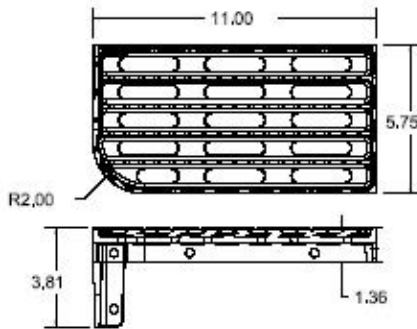
SP2027



SP2027 Left Inside Corner Step

1) Finish: outside surfaces are polished.

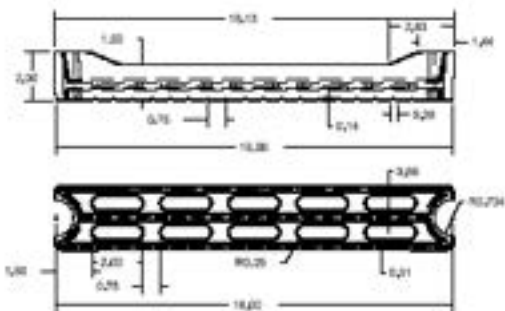
SP2028



SP2028 Right Inside Corner Step

1) Finish: outside surfaces are polished.

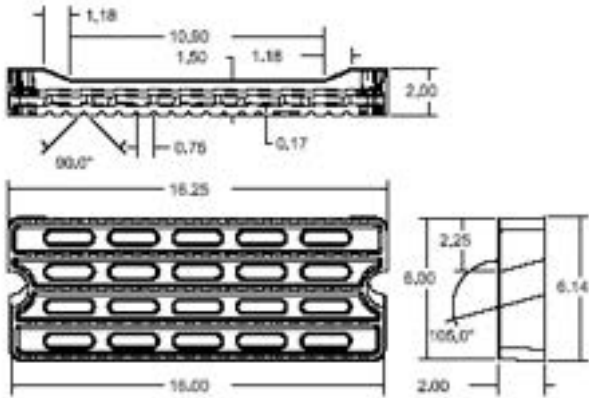
SP2029



SP2029 Ladder Step w/ Raised Tread

1) Finish: ball-burnished

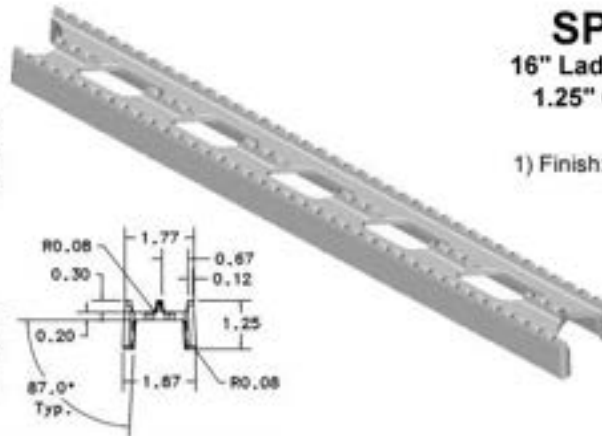
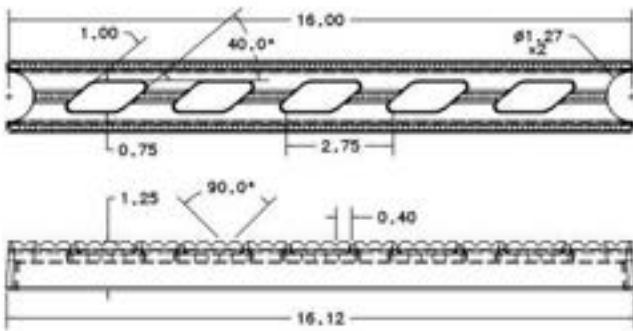
SP2030



SP2030 Ladder Step w/ Raised Tread

1) Finish: ball-burnished

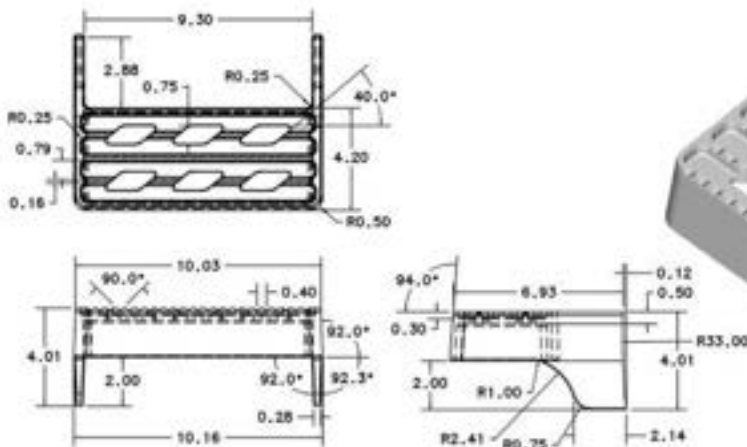
SP2032



SP2032 16" Ladder Step for 1.25" OD tubing

1) Finish: ball-burnished.

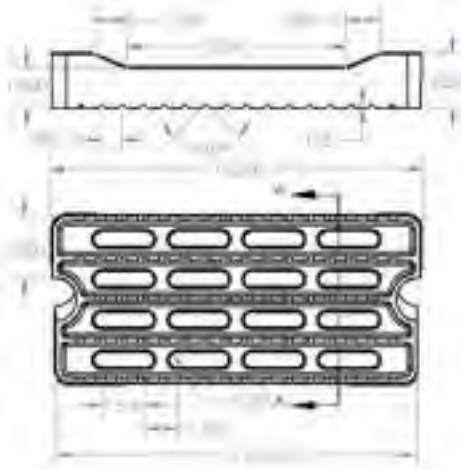
SP2033



SP2033 10" Tank Step - Rear R33"

1) Finish: ball-burnished.

SP2034

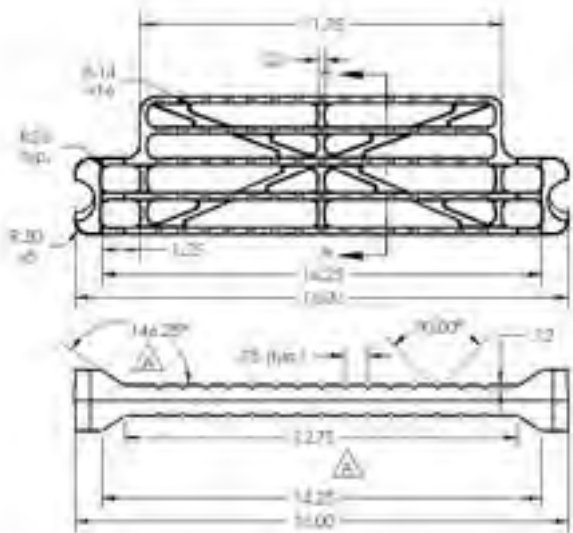


SP2034-1
**13" Ladder Step w/
Raised Tread. 15d. Angle**

1)Finish: Ball-burnished w/ sides
and end polished



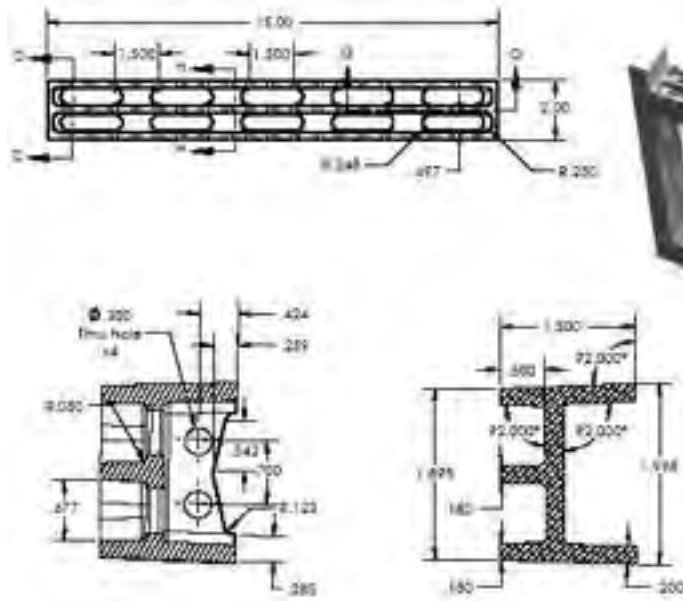
SP2035



SP2035-5
16" Ladder Step

1)Finish: Ball-burnished w/ sides
and end polished

SP2036

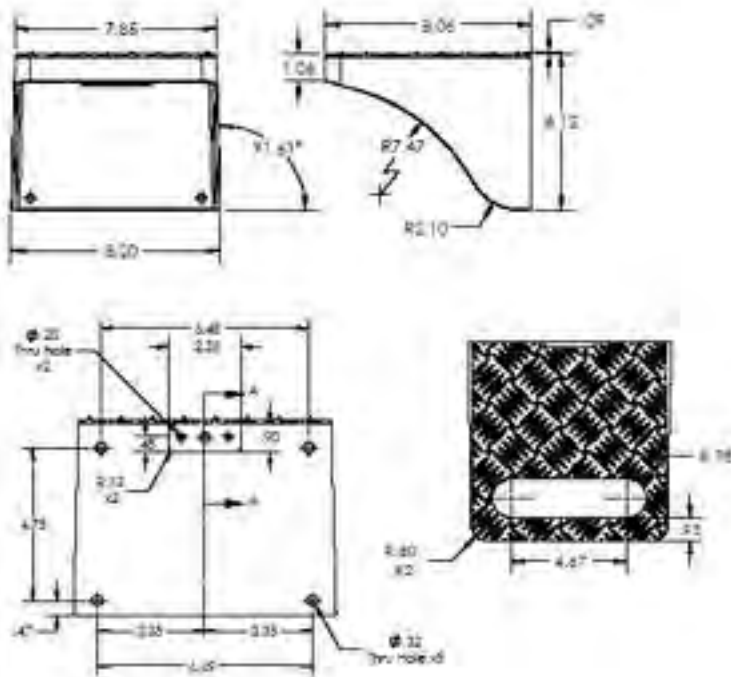


SP2036-5
15" x 2.0" Ladder Step

- 1) Finish: Ball-burnished.
- 2) For bolting to 2" wide extrusion or welding underneath



SP2037

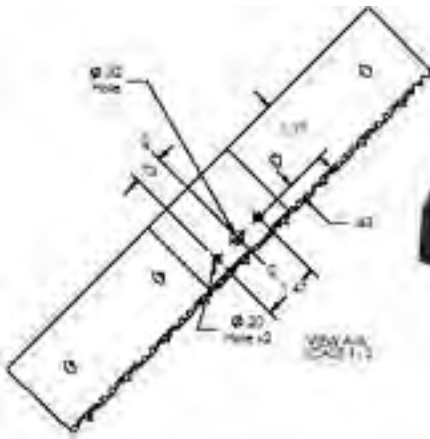


SP2037-1
8" x 8" Surface Mount Step
(LED Light Capable)

- 1) Finish: Ball-burnished casting w/ polished front band and sides
- 2) For use as a single step or w/ two AH0225 LED Lids for upper and lower illumination
- 3) Cast in hand-hold

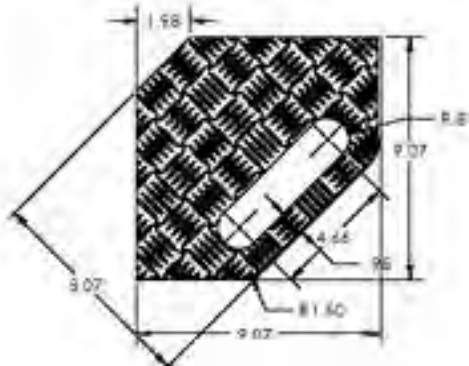
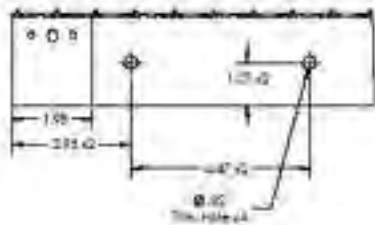


SP2038

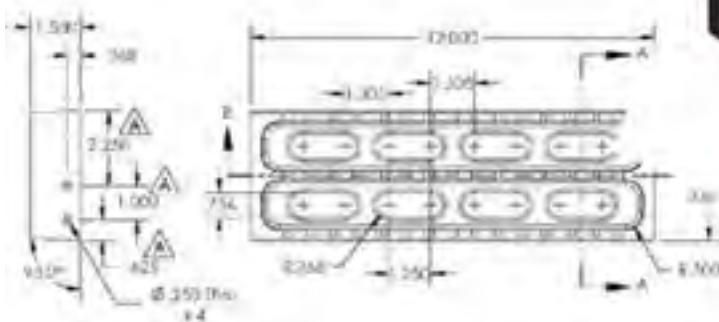
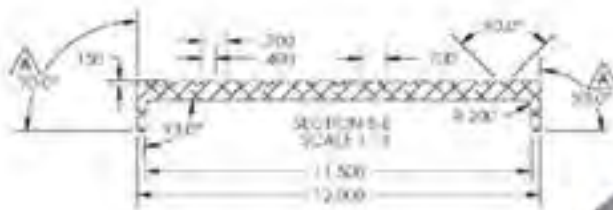


SP2038-1
45d. Angle Surface Mount Step
(LED Light Capable)

- 1) Finish: Ball-burnished casting w/ polished front band and sides
- 2) For use as a single step or w/ two AH0225 LED Lids for upper and lower illumination
- 3) Cast in hand-hold



SP2041



SP2041-5
12.00" x 3.875" Ladder Step

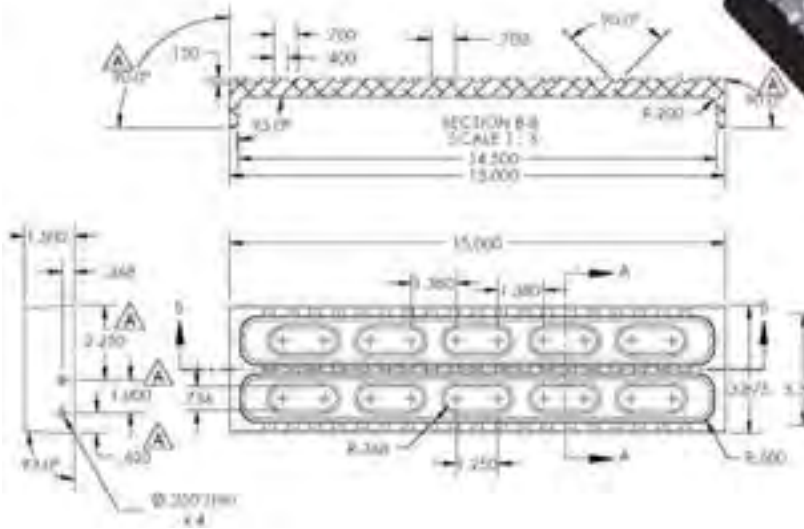
- 1) Finish: Ball-burnished.
- 2) For bolting or welding underneath



SP2042

SP2042-5 15.00" x 3.875" Ladder Step

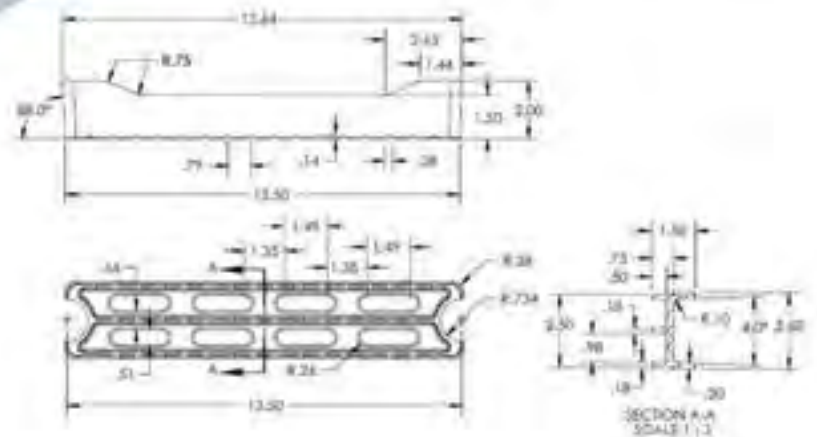
- 1) Finish: Ball-burnished.
- 2) For bolting or welding underneath



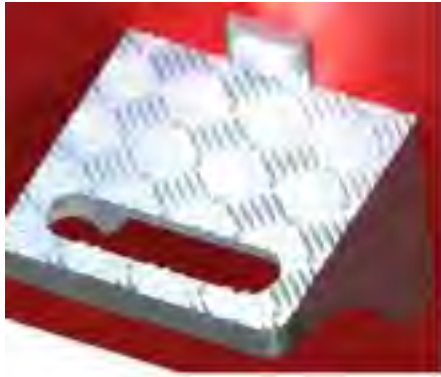
SP2043

SP2043-5 13.5" x 2.50" wide, Ladder Step w/ Raised Tread

- 1) Finish: Ball-burnished.
- 2) For bolting or welding underneath



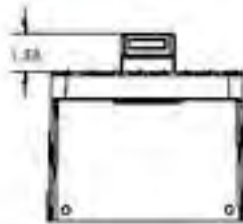
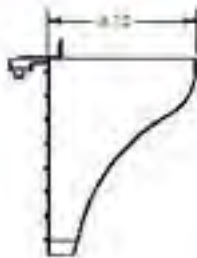
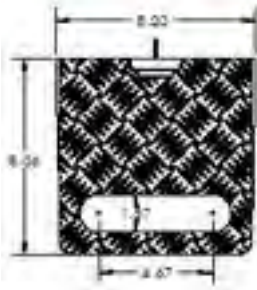
SP2701



SP2701-1

8" x 8" Surface Mount Step w/ upper & lower LED lights (AH0225 - MKL375-3W w/ 22 gauge wire)

- 1) Finish: Ball-burnished casting w/ polished front band and sides
- 2) Uses two AH0225 LED Lids for upper and lower illumination
- 3) Cast in hand-hold
- 4) Shipped assembled



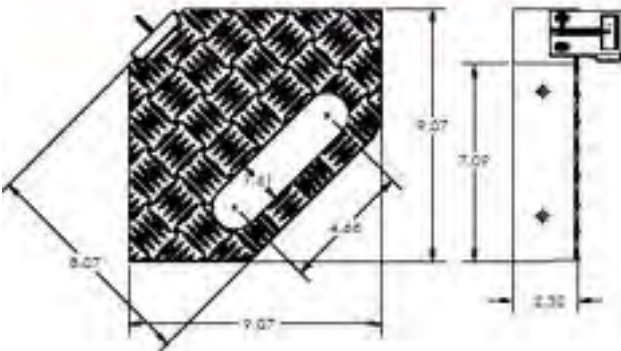
SP2702



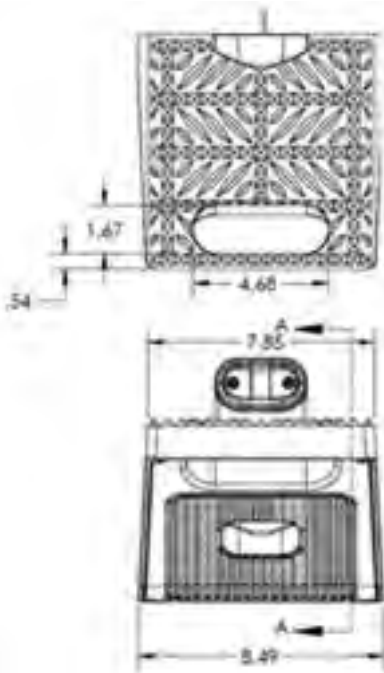
SP2702-1

45d. Angle Surface Mount Step w/ upper & lower LED lights (AH0225 - MKL375-3W w/ 22 gauge wire)

- 1) Finish: Ball-burnished casting w/ polished front band and sides
- 2) Uses two AH0225 LED Lids for upper and lower illumination
- 3) Cast in hand-hold
- 4) Shipped assembled

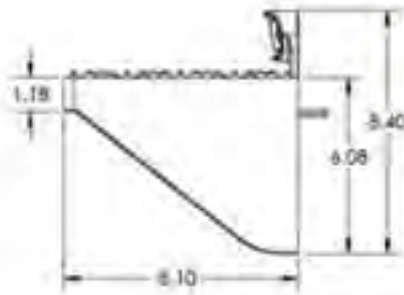


SP2901

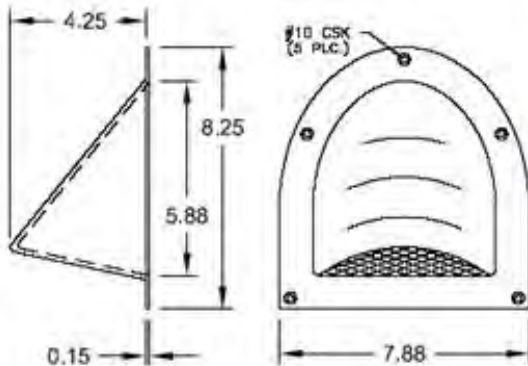


1. 8" x 8" Surface Mount Step, w/ Cover Lid, w/ upper/lower LED lights (WL0501-C Clear LED x2).
2. Finish: Tread is ball-burnished, exterior surfaces on step casting, lid face and upper LED light mount are polished.

SP2901
8" x 8" Surface Mount Step,
w/ Cover Lid, w/
upper/lower LED lights
(WL0501-C Clear LED x2)

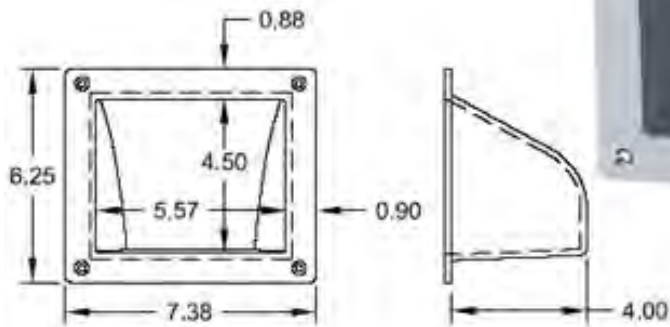


SP3001



SP3001
Recessed Step
Finish; Face flange is polished,
side is bead-blasted.

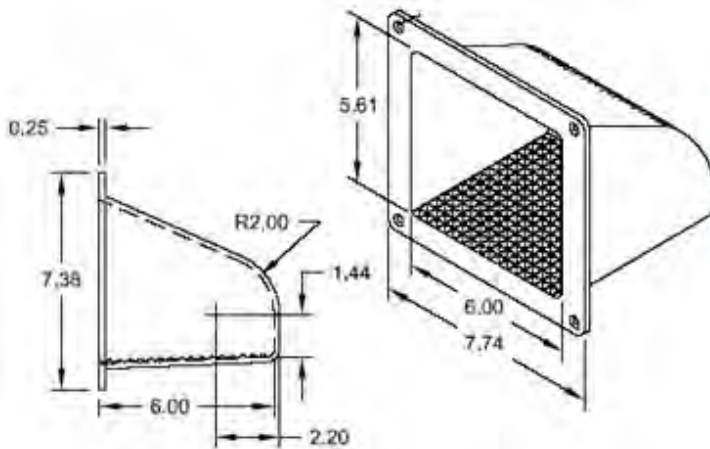
SP3002



SP3002 Recessed Step

1) Finish: Face flange is polished. Inside is bead-blasted.

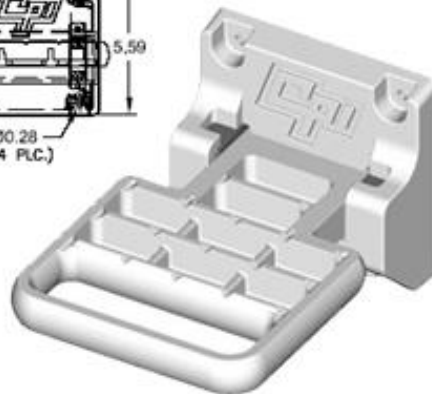
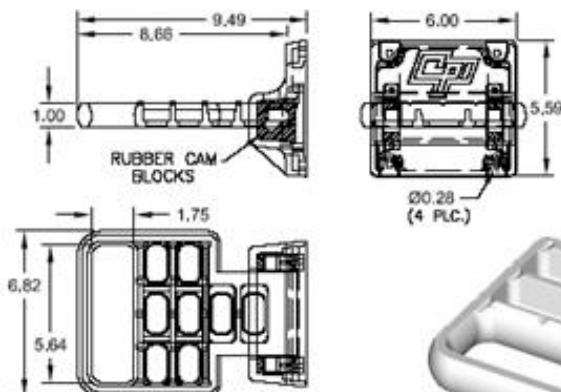
SP3003



SP3003 Recessed Step 6" Deep

1) Finish: Face flange is polished. Inside is bead-blasted.

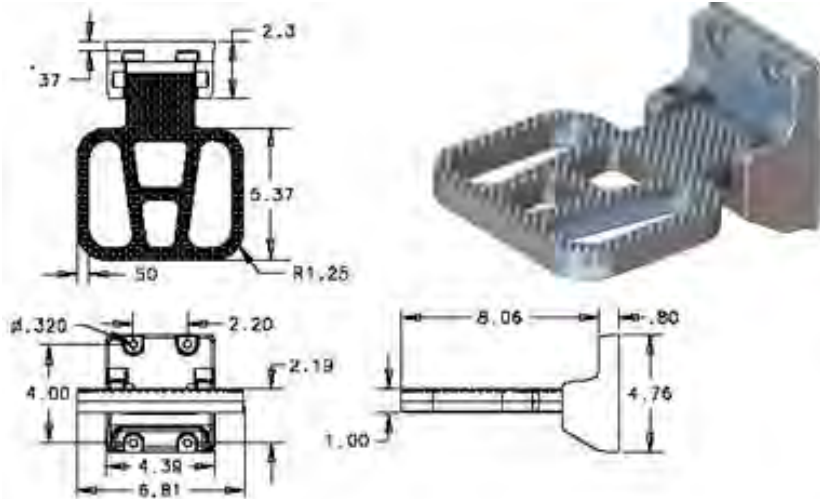
SP4301



SP4301 Folding Step w/ Hand-Hold & Raised Pyramid Tread

1) Finish: Edges are polished. All other surfaces are bead-blasted or ball-burnished.
2) Designed to fold-up when not in use and to exceed the requirements of 1901 & 1904-91 specs requiring 500 lbs. minimum load, 35 square inch area, 8" depth, etc....

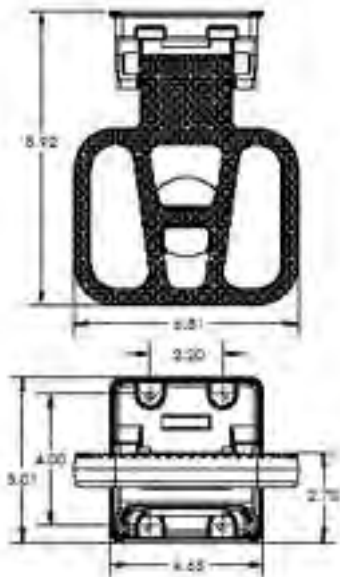
SP4401



SP4401 Folding Step w/ Hand-Hold & Pyramid Tread

- 1) Finish: Edges are polished. All other surfaces are bead-blasted or ball-burnished.
- 2) Designed to fold-up when not in use and to exceed the requirements of 1901 & 1904-91 specs requiring 500 lbs. minimum load, 35 square inch area, 8" depth, etc....

SP4410

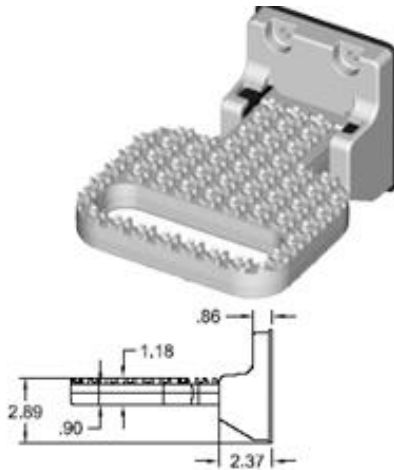
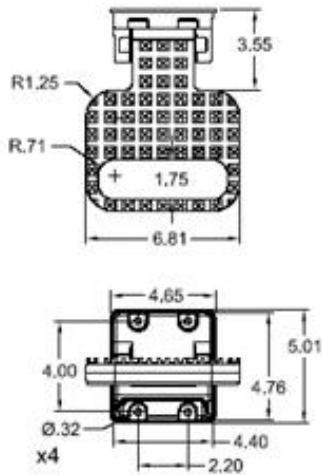


SP4410-1CH-LED 2" Round Logo - Folding Step Assembly w/ LED Lights x2



- 1) Finish: Exterior surfaces are bright polished, then chrome plated to CASS 24 specifications.
- 2) Incorporates upper and lower mount LED lights to illuminate step platform and underneath the step assembly.
- 3) Use standard 2" diameter self adhesive logo's for customer user lock.

SP4500

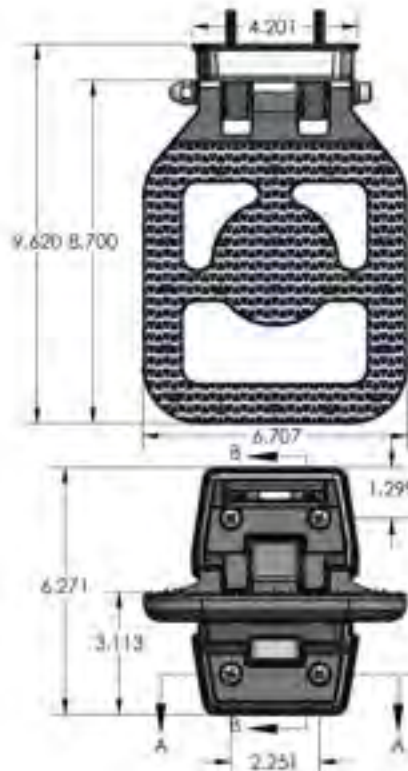


SP4500 Folding Step w/ Hand-Hold & Pungy Tread

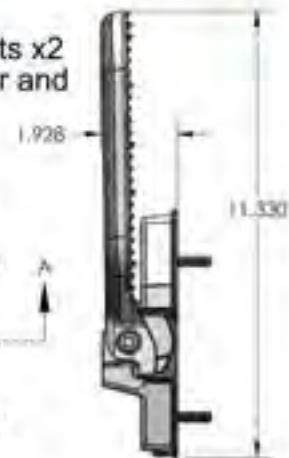
- 1) Finish: Edges are polished. All other surfaces are bead-blasted or ball-burnished.
- 2) Designed to fold-up when not in use and to exceed the requirements of 1901 & 1904-91 specs requiring 500 lbs. minimum load, 35 square inch area, 8" depth, etc....

SP6610

SP6610-1CH Folding Step Assembly

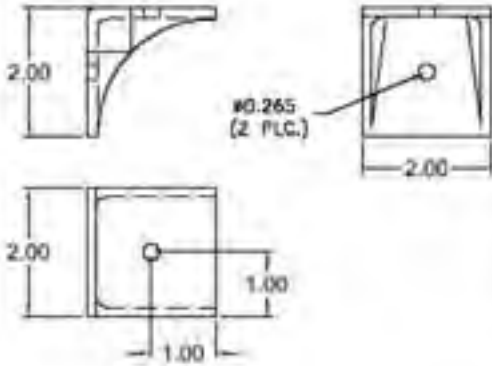


- 1) Finish: Chrome plated.
- 2) For use with TecNiq LED Lights x2
- 3) Silver Reflective Tape in upper and lower positions.
- 4) Rubber gasket included.



Shelf Supports

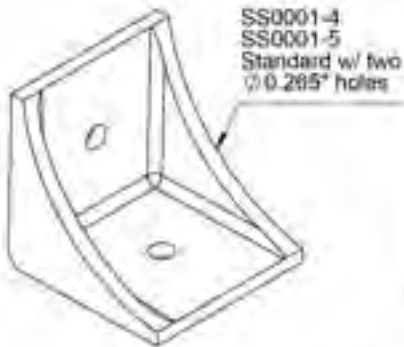
SS0001



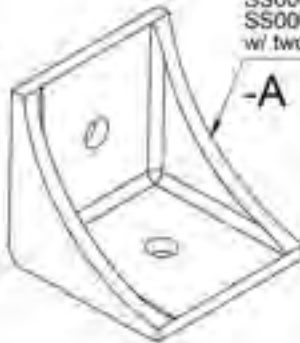
**SS0001
Shelf Support
Bracket**

1) Finish: Wheel-a-brated.

SS0001-A -B -C -D -E

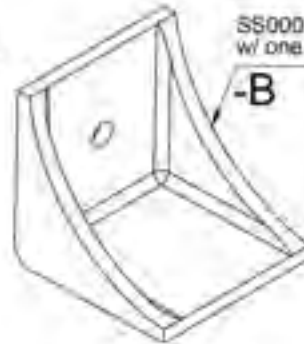


SS0001-4
SS0001-5
Standard w/ two
 $\varnothing 0.285$ " holes



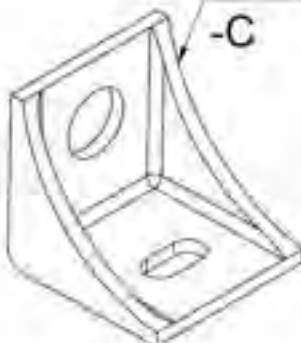
SS0001-4-A
SS0001-5-A
w/ two $\varnothing 0.3125$ " holes

-A



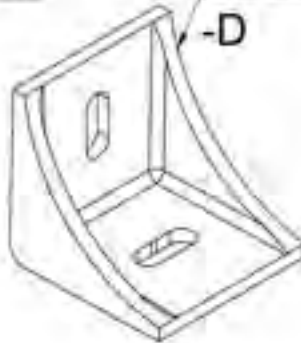
SS0001-5-B
w/ one $\varnothing 0.265$ " hole

-B



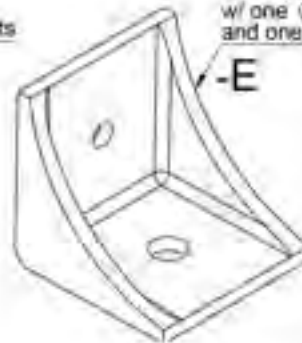
SS0001-4-C
SS0001-5-C
w/ one 0.375 " slot
and one $\varnothing 0.750$ " hole

-C



SS0001-4-D
SS0001-5-D
w/ two 0.300 " slots

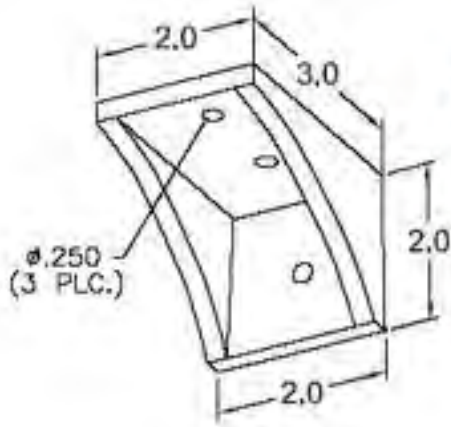
-D



SS0001-4-E
SS0001-5-E
w/ one $\varnothing .265$ " hole
and one $\varnothing .390$ " hole

-E

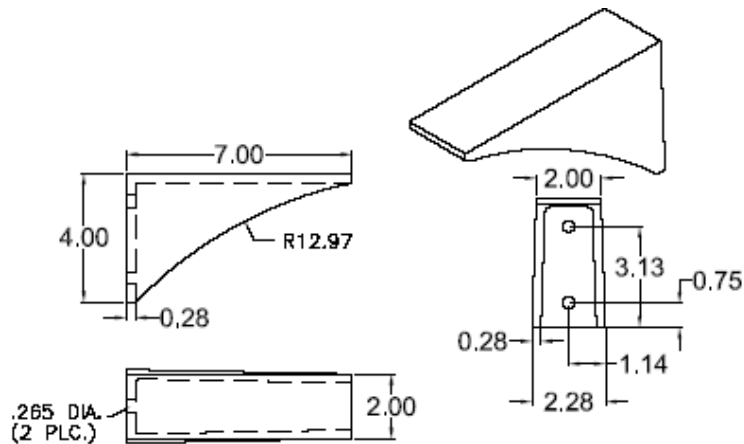
SS0002



SS0002 Shelf Support Bracket

1) Finish; Wheel-a-brated.

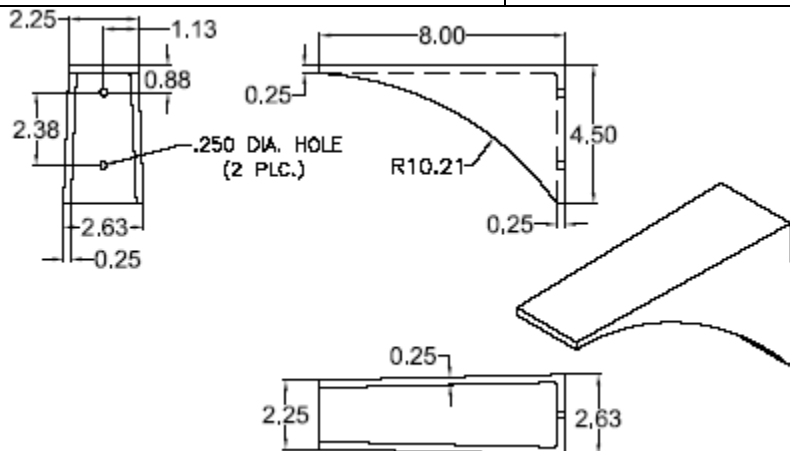
SS0003



SS0003 Shelf Support Bracket

1) Finish: Wheel-a-brated.

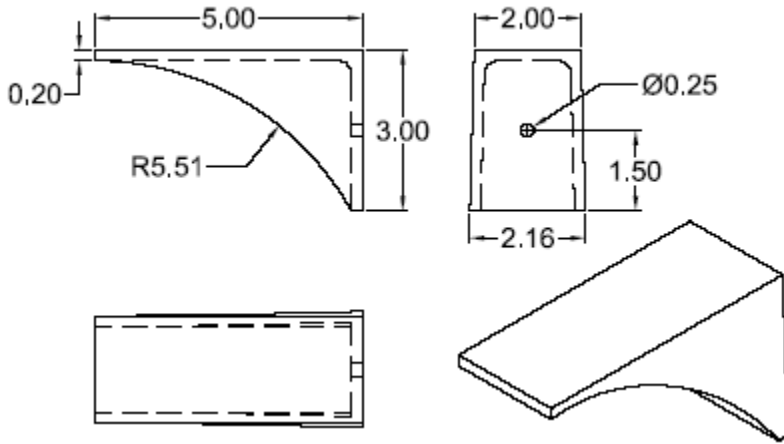
SS0004



SS0004 Shelf Support Bracket

1) Finish: Wheel-a-brated.

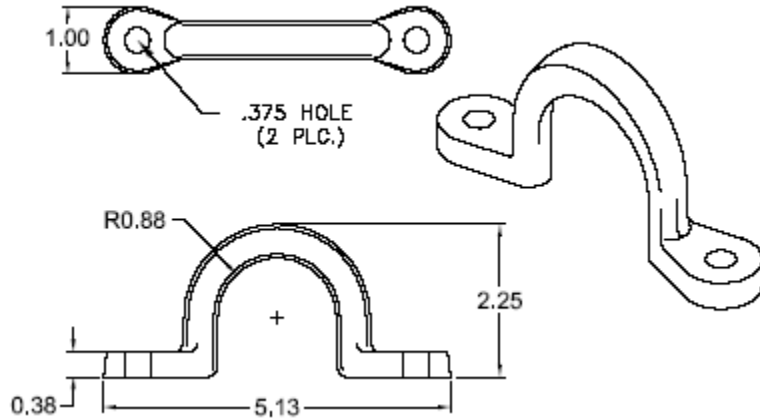
SS0005



SS0005 Shelf Support Bracket

1) Finish: Wheel-a-brated.

SS0007

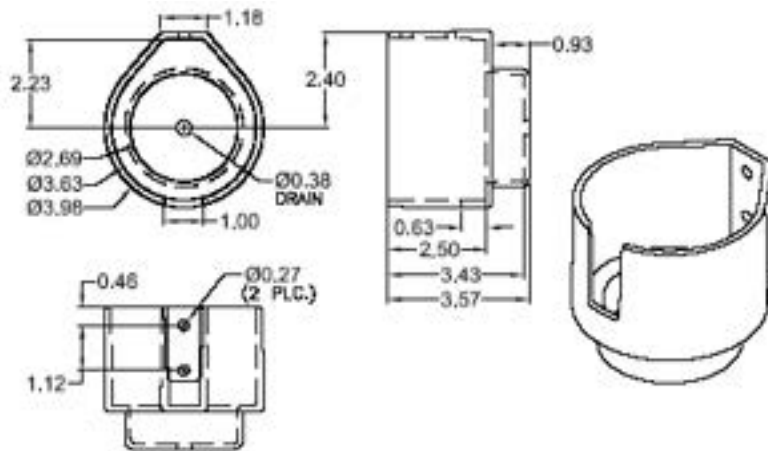


SS0007

Rope Tie Ring

1) Finish: as cast, polished,
ball-burnished or wheel-a-brated.

SS0014

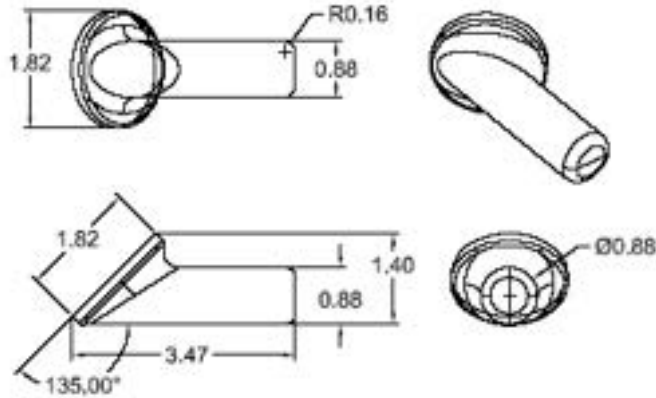


SS0014

Cup Holder

1) Finish: polished,
wheel-a-brated, or ball-burnished.

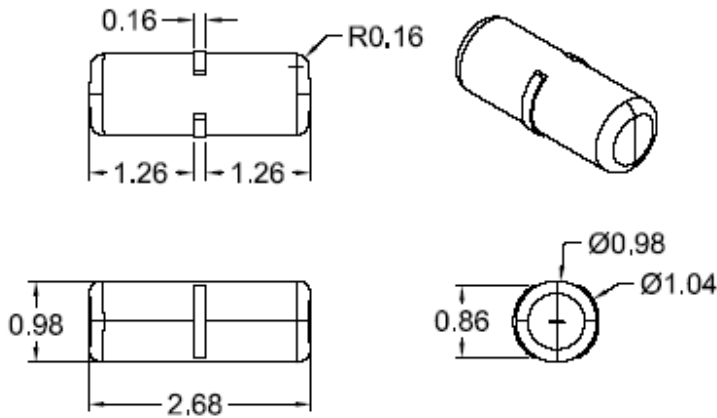
SS0018



SS0018 Angled Tube Brace

- 1) Finish: Wheel-a-brated.
- 2) Angle: 135°

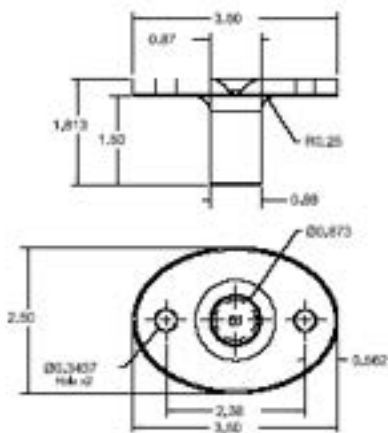
SS0019



SS0019 Tube Splice Connector

- 1) Finish: Wheel-a-brated.

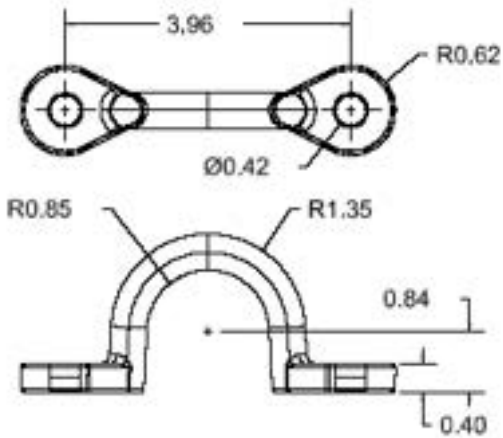
SS0022



SS0022 Rear Ladder Mounting Block

- 1) Finish: all exterior surfaces are ball-burnished.

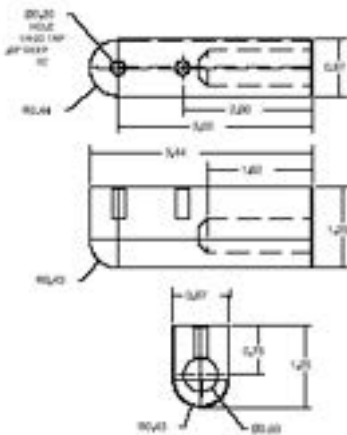
SS0025



SS0025 Rope Tie Ring

1) Finish: all exterior surfaces are ball-burnished.

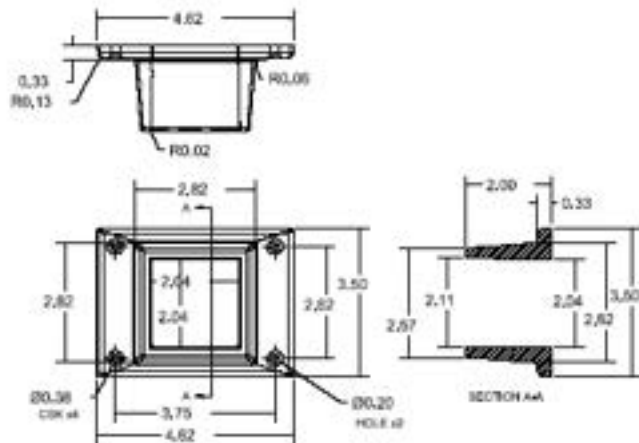
SS0028



SS0028 Butterfly Single Pivot Casting

1) Finish: all exterior surfaces are ball-burnished.

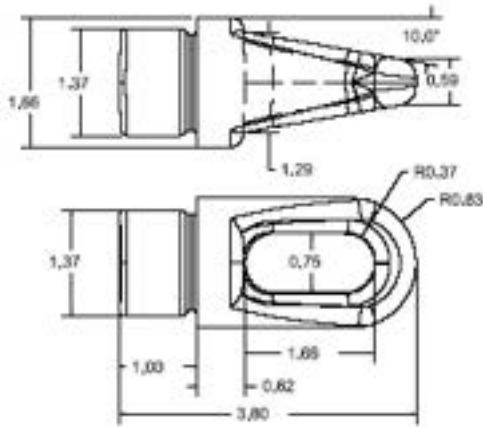
SS0031



SS0031 Combination 2" and 3" Post Base

1) Finish: all exterior surfaces are ball-burnished.

SS0034

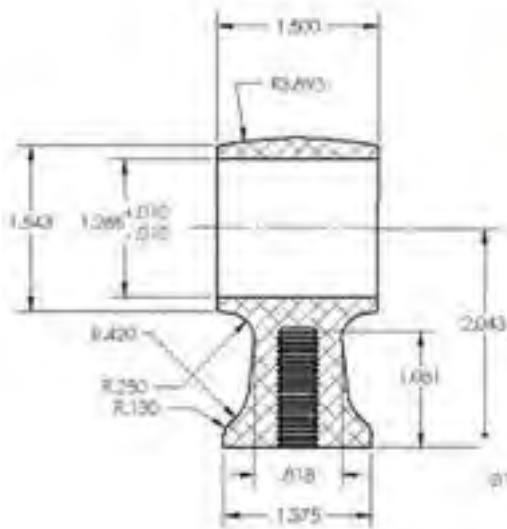


SS0034

Butt-Bar End Cap Casting w/ Hook

1) Finish: all exterior
surfaces are
wheel-a-brated

SS0037



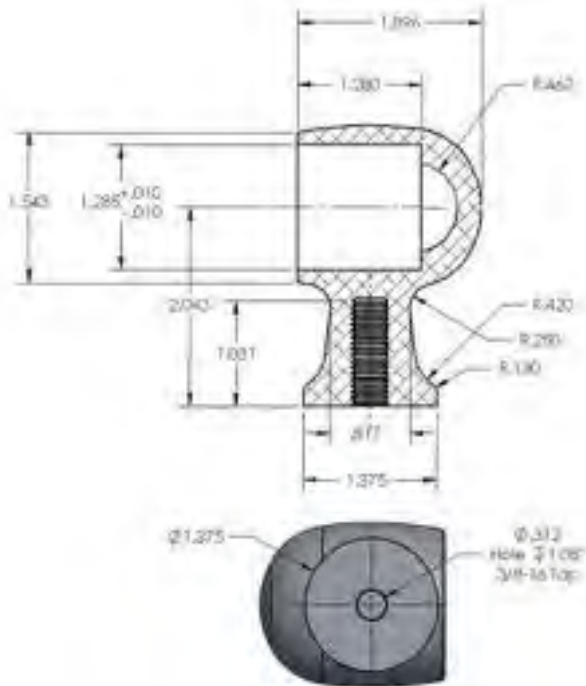
SS0037-1

Grab Rail Support, 1 1/4" OD Tube, Center Mount Casting

1) Finish: Polished Exterior



SS0038

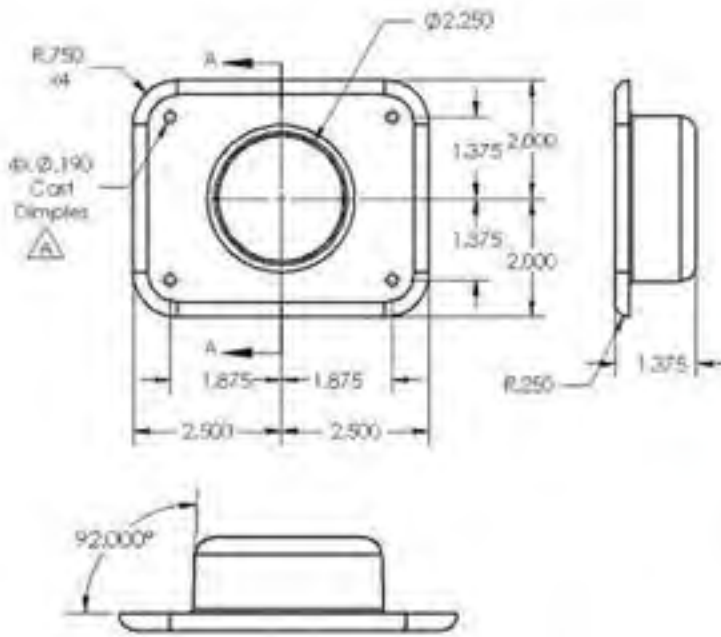


SS0038-1
Grab Rail Support, 1 1/4" OD
Tube, End Cap Casting

1) Finish: Polished Exterior



SS0039

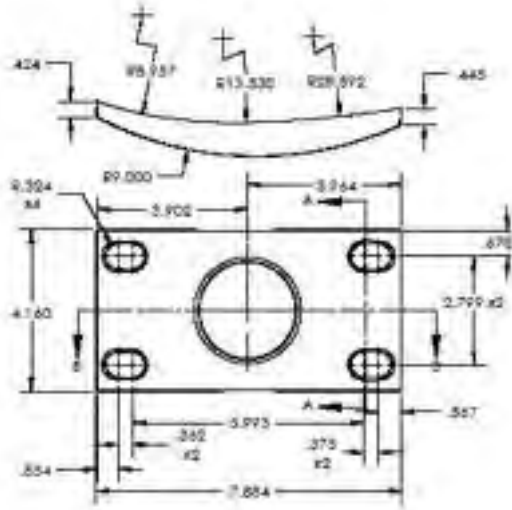


SS0039-5
Straight Load Post
Mount Casting

1) Finish: Ball-burnished



SS0040



SS0040-1 Mirror Shim Casting

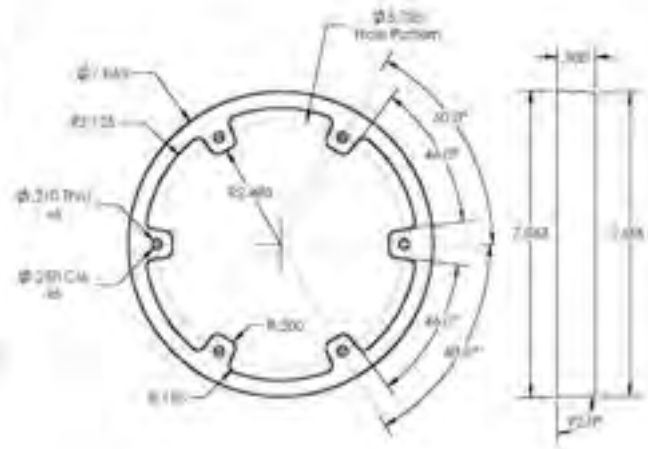
1) Finish: Exterior Edges are Polished



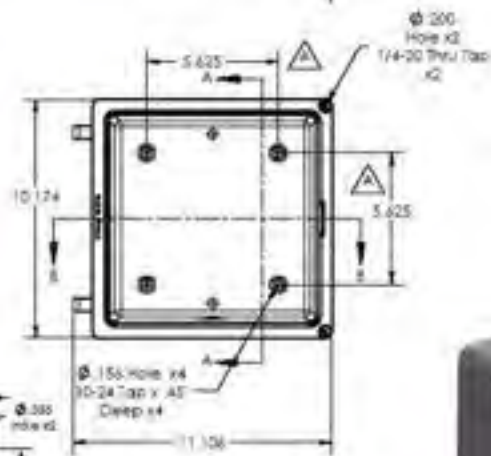
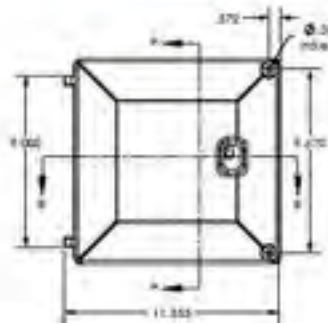
SS0041



SS0041-1 Speaker Trim Casting



TA4100

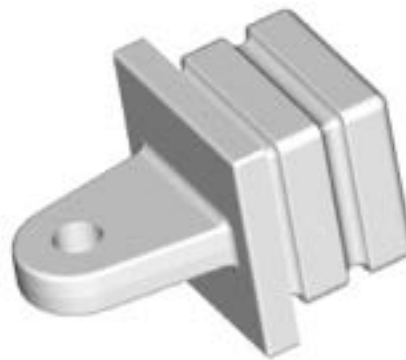
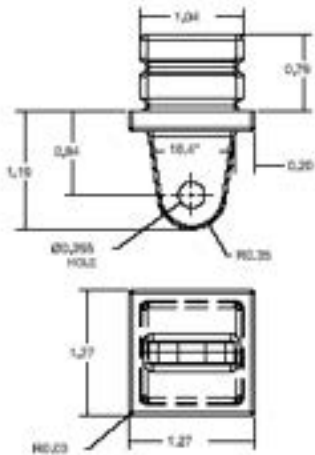


TA4100-4 Straight Load Post Mount Casting

1) Finish: Wheel-a-brated



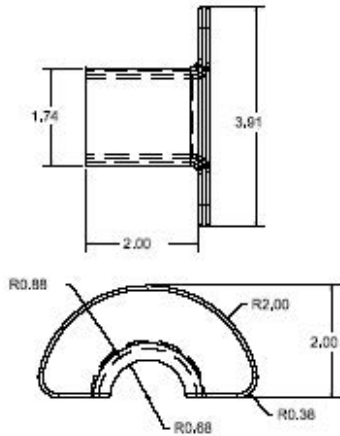
TMC0024



TMC0024 Swivel Tube Plug

1) Finish: all exterior surfaces are ball-burnished and "struck" polished.

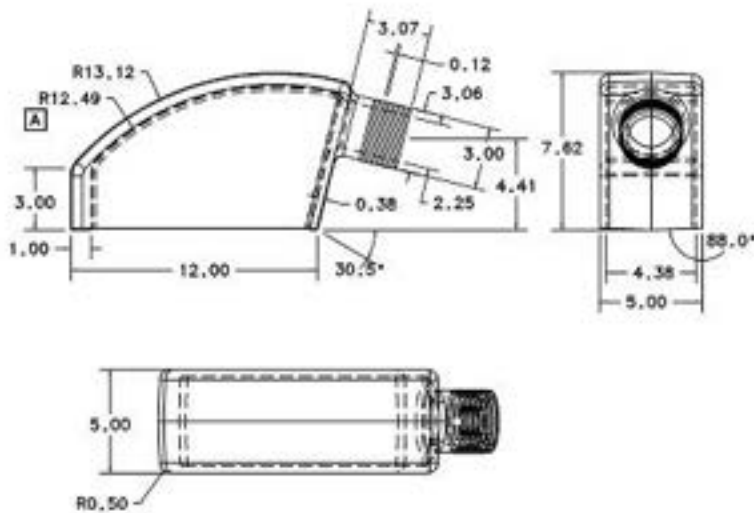
TMC0027



TMC0027 Bridal Hanger Hook

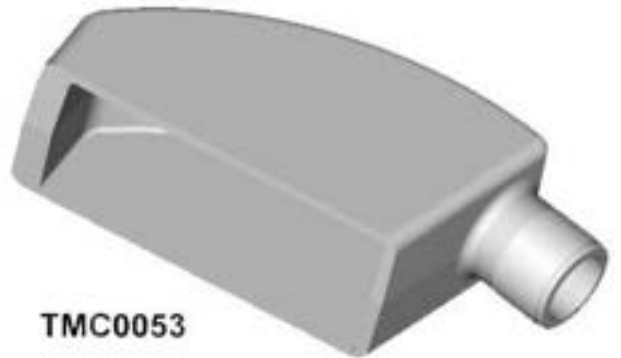
1) Finish: all exterior surfaces are ball-burnished.

TMC0053



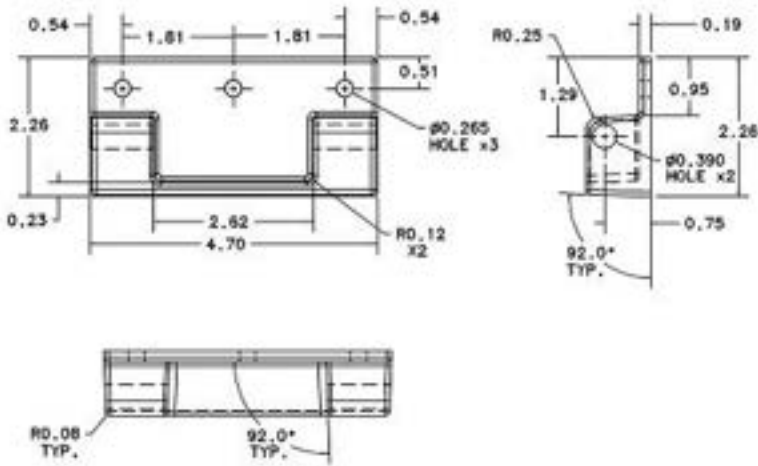
TMC0053-4 Vent Casting

1) Finish: Wheel-a-brated
2) Interior is Shell-cored



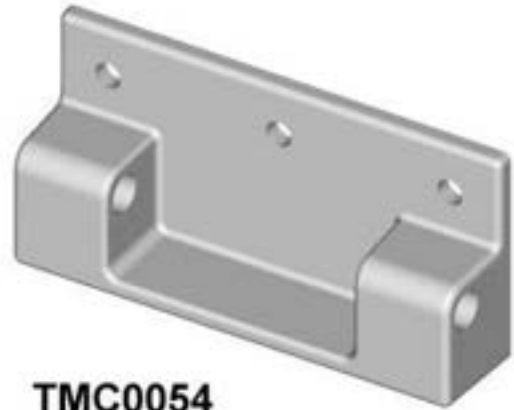
TMC0053

TMC0054



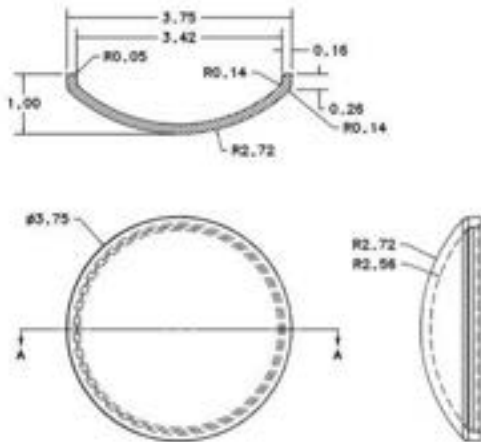
TMC0054-5 Butt-Bar Angle Keeper

1) Finish: Ball-burnished



TMC0054

TMC0056

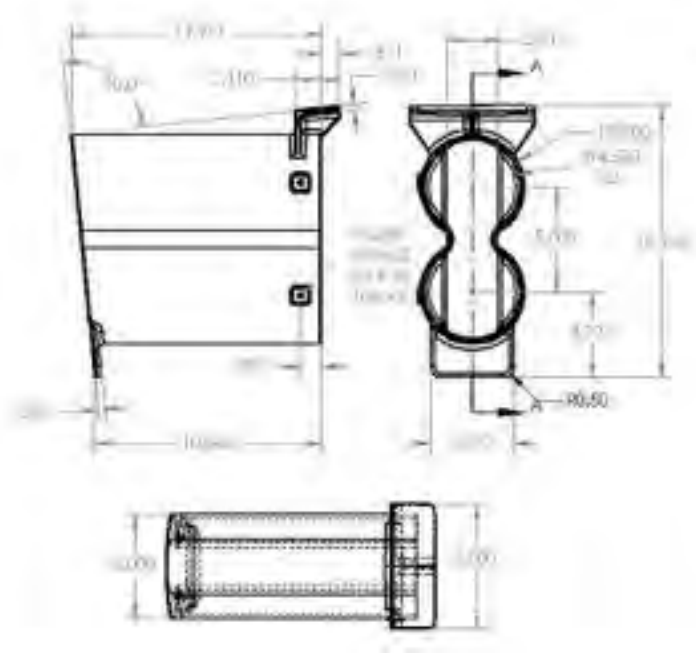


TMC0056 Weld Plug Cap Casting

1) Finish: ball-burnished



TMC0062

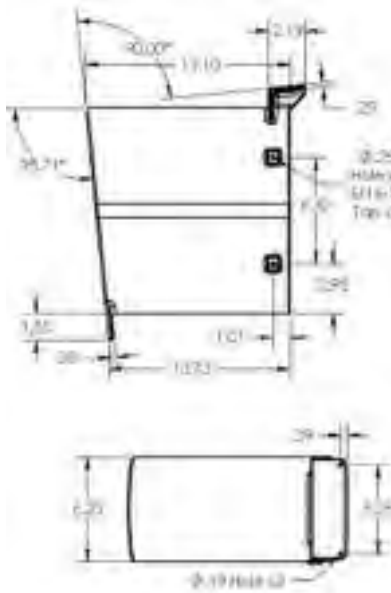


TMC0062-6S
Dual Bottle Holder Casting - powder coated Bengal Silver PA16140JJ

- 1) Finish: Powder Coated Bengal
- 2) Inside is Sand-cored



TMC0069



TMC0069-6S
Jumbo Dual Bottle Holder Casting -
powder coated Bengal Silver PA16140JJ

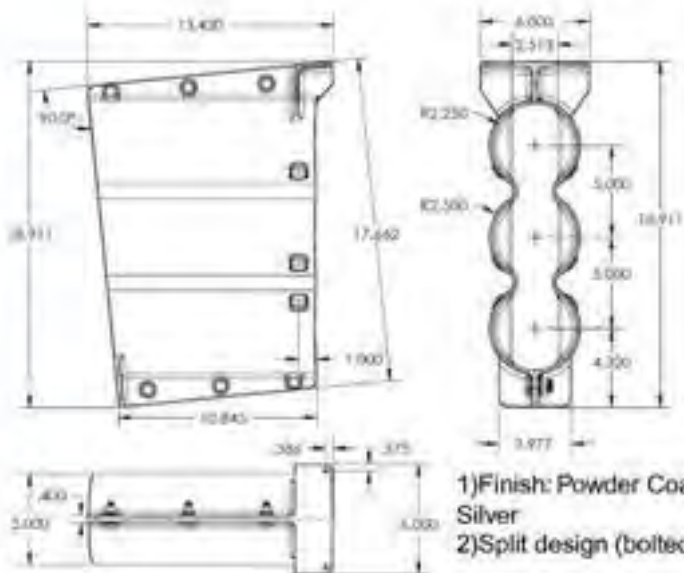
- 1) Finish: Powder Coated Bengal Silver
- 2) Interior is Sand Shell Cored



TMC0086



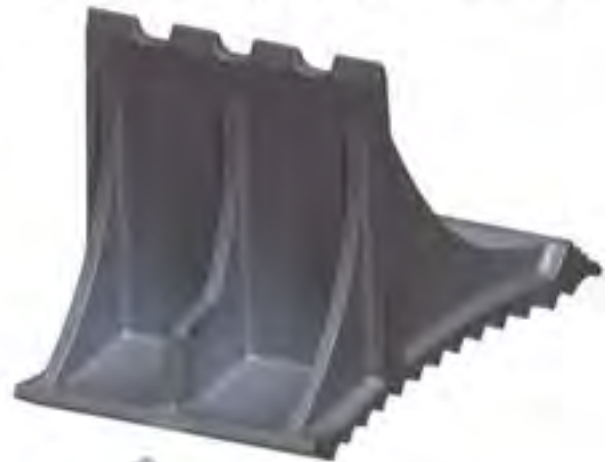
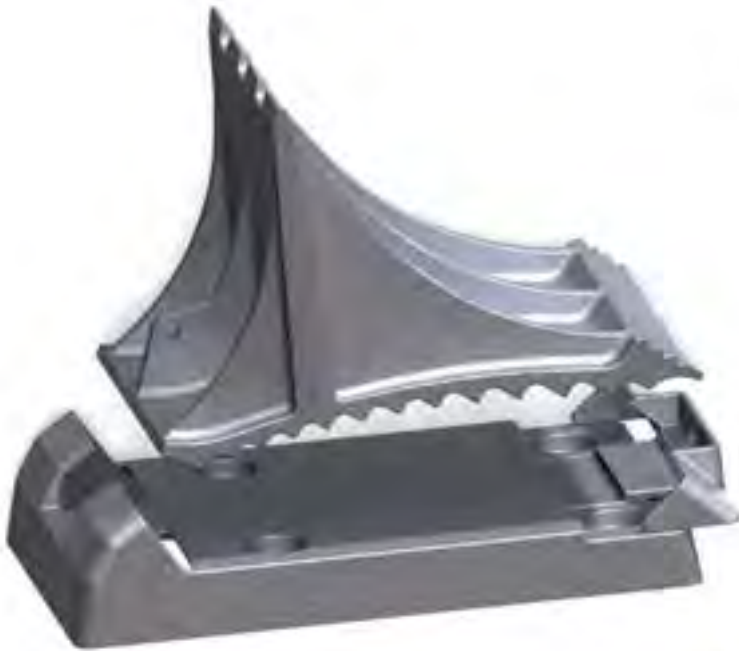
TMC0086-6BS
Triple Bottle Holder Assembly



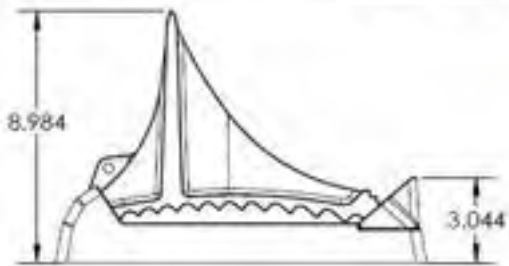
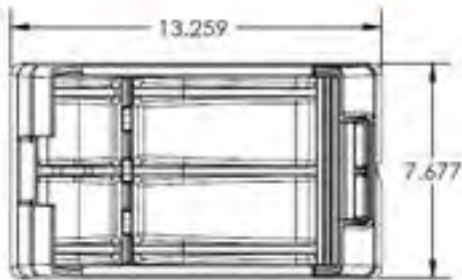
- 1) Finish: Powder Coated Bengal Silver
- 2) Split design (bolted together).

TMC0090

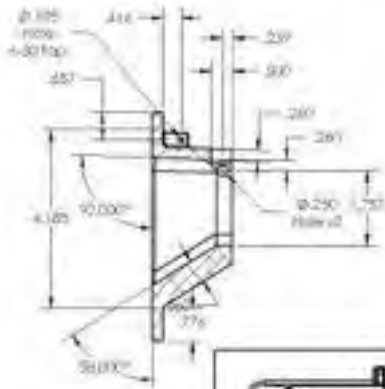
TMC0090-4
Wheel Chock and Holder Assembly



- 1) Finish; wheel-a-brated.
- 2) Mounting base has spring loaded retainer, for mounting vertical as well as horizontal.



TMC1007

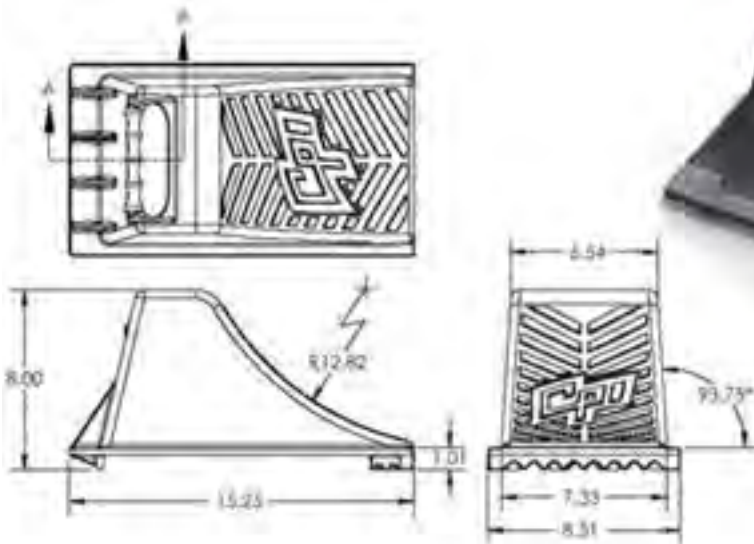


TMC1007-5 Gunport Casting Assembly

1) Finish: Ball-burnished



TMC1008

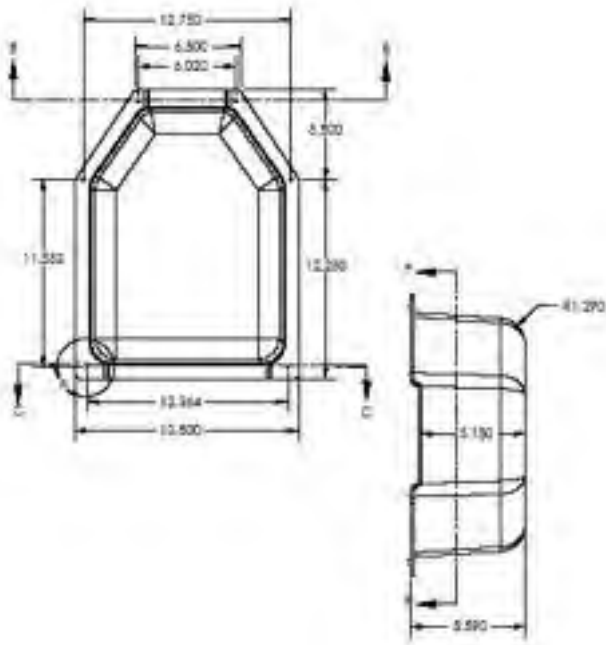


TMC1008 Wheel Chock Casting



- 1) Finish: wheel-a-brated.
- 2) Meets NFPA and SAEJ348 standards.
- 3) For up to a 32" diameter tire.

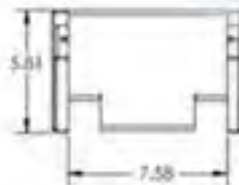
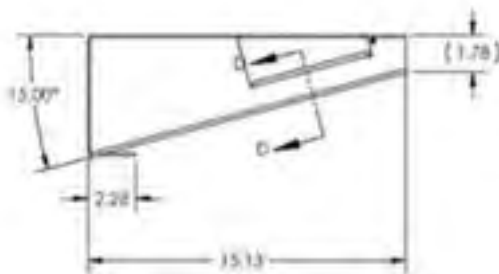
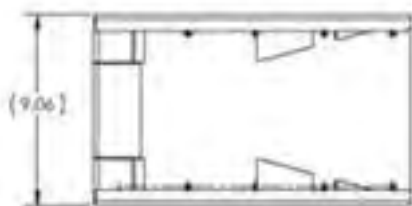
TMC1009



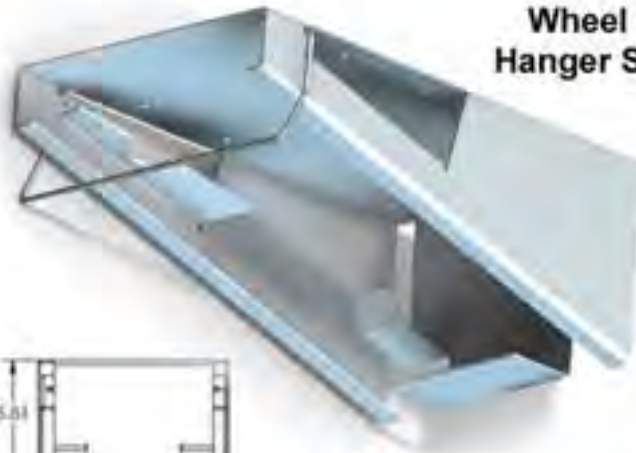
TMC1009
Light Housing Cover
(White - Vacuum formed)



TMC1010



TMC1010
Wheel Chock
Hanger Stamping

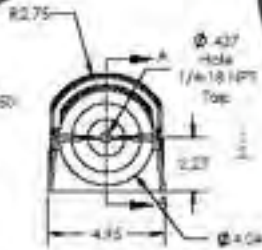
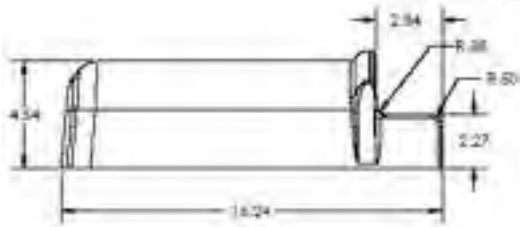
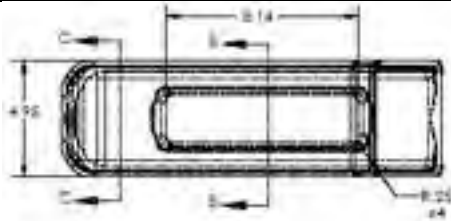


- 1) Finish: natural aluminum sheet
- 2) For TMC1008 Wheel Chock Casting.

TMC1012

TMC1012-5 1 pc. Nozzle Holder Casting & Backplate Stamping (unassembled)

1) Finish: Ball-burnished



TMC1025

ITEM NO.	PART NUMBER	DESCRIPTION	QTY
1	TMC1025-5	4.075x6.00 40 PVC - Pin Design - Pike Pole Tube Door Assembly	1
2	TMC0079	Short Stanchion Kit - 4.075x6.00 PVC Pipe	1



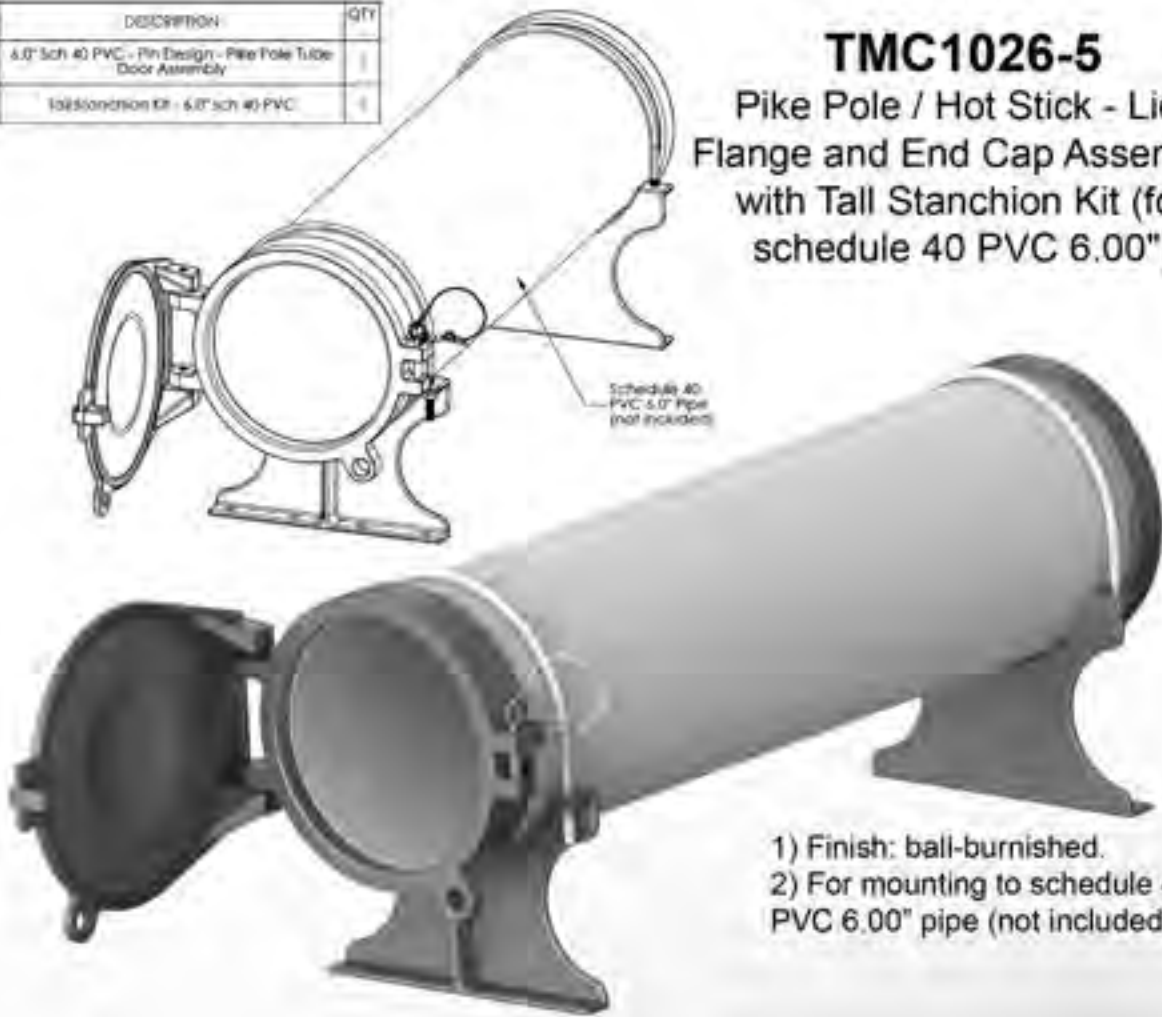
TMC1025-5

Pike Pole / Hot Stick - Lid, Flange and End Cap Assembly with Short Stanchion Kit (for schedule 40 PVC 6.00")

- 1) Finish: ball-burnished.
- 2) For mounting to schedule 40 PVC 6.00" pipe (not included)

TMC1026

YEAR / NO.	PART NUMBER	DESCRIPTION	QTY
1	TMC1024-5	6.0" Sch 40 PVC - Pin Design - Pike Pole Tube Door Assembly	1
2	TMC0080	Tall Stanchion Kit - 6.0" sch 40 PVC	1



TMC1026-5

Pike Pole / Hot Stick - Lid, Flange and End Cap Assembly with Tall Stanchion Kit (for schedule 40 PVC 6.00")

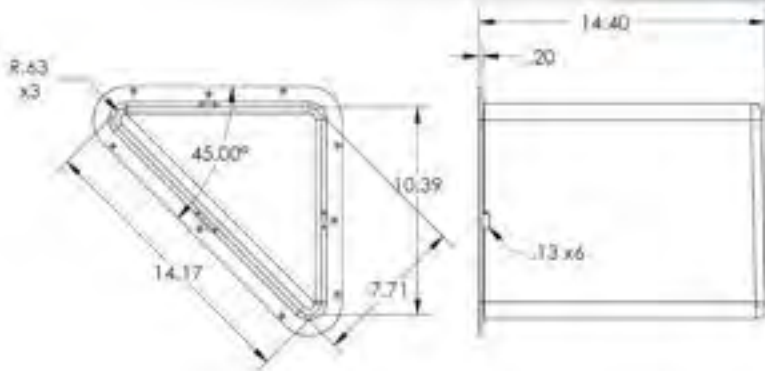
- 1) Finish: ball-burnished.
- 2) For mounting to schedule 40 PVC 6.00" pipe (not included)

TMC1027

TMC1027-1

Assembly - Rotary Molded
Wheel Chock Holder, Face Trim
and Bungee Cord Retainer

- 1) Finish: Trim is polished.
- 2) wheel chocks not included.



TMC1039

TMC1039-1

Assembly - Rotary Molded
Wheel Chock Holder w/ 112.5
Corners Face Trim

- 1) Finish: Trim is polished.
- 2) wheel chocks not included.



TMC1040

QTY	PART NUMBER	DESCRIPTION	UNIT
1	TMC1040-5	4.0" (Sch. 40 PVC) - 4.0" Length - Pike Pole / Hot Stick - Lid, Flange and End Cap Assembly	1
2	TMC1040-5-Bracket	Bracket for 4.0" (Sch. 40 PVC)	1



TMC1040-5

Pike Pole / Hot Stick - Lid,
Flange and End Cap Assembly
with Stanchion Kit (for schedule
40 PVC 4.00")



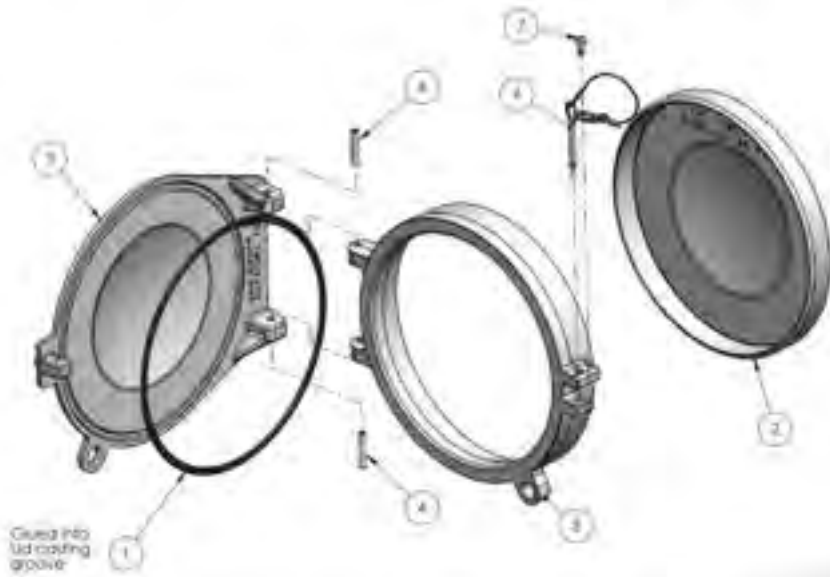
- 1) Finish: ball-burnished.
- 2) For mounting to schedule 40 PVC 4.00" pipe (not included)

TMC1043

TMC1043-5

Pike Pole / Hot Stick - Lid, Flange and Pin Assembly, with End Cap Casting (for 8.0" sch 40 PVC)

- 1) Finish: ball-burnished.
- 2) For mounting to schedule 40 PVC 8.00" pipe (not included)



ITEM NO.	Part Number	Description	QTY
1	W1043-5/25	PC Flange & 2" 2" Cap (Cast)	1
2	W1043-5	End Cap Casting (8.0" Schedule 40 PVC 8.00")	1
3	W1043-5	Pin & Nut - In Design (8.0" Schedule 40 PVC 8.00")	1
4	W1043-5	2" x 1/2" Spring Pin (Cast)	1
5	W1043-5	Lid Casting - 10" Dia (8.0" Schedule 40 PVC 8.00")	1
6	W1043-5	1/4" Shim with 1/4" Groove (Cast)	1
7	W1043-5	1/4" x 1/2" 8.00" Pipe for Hot Stick (Cast)	1

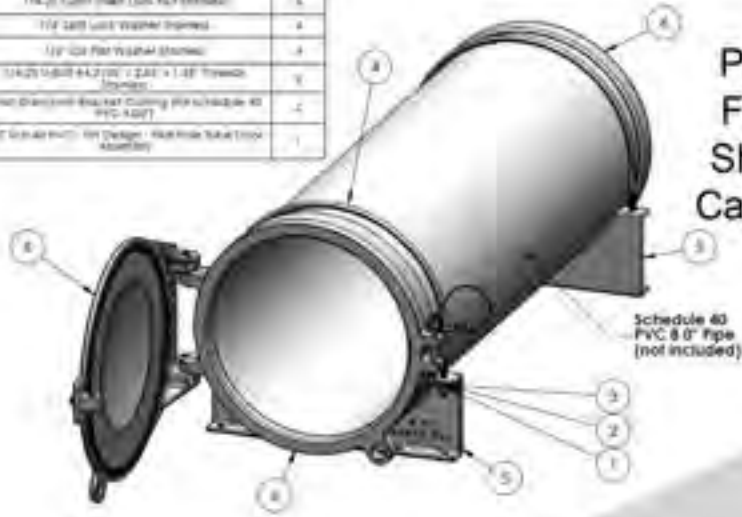


TMC1044

ITEM NO.	PART NUMBER	DESCRIPTION	QTY
1	AM014P	1/4" ID Nylon Pin (See Part Drawing)	4
2	AM014B	1/4" ID Lock Washer (Stainless)	4
3	AM014C	1/2" ID Pin Washer (Stainless)	4
4	AM020	1/4" ID x 1.00" x 1.00" Flange (Stainless)	4
5	AM0015B-C	Short Stanchion End Cap Casting for Schedule 40 PVC 8.00"	4
6	TMC1044-5	Pike Pole / Hot Stick - Pin Design - Multiple Stanchion Assembly	1

TMC1044-5

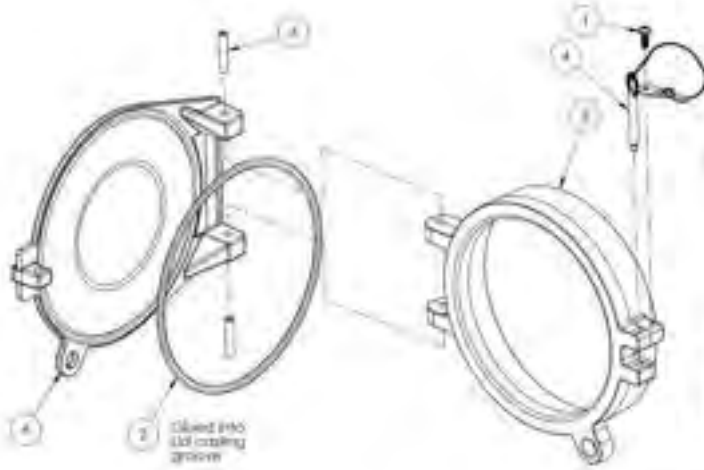
Pike Pole / Hot Stick - Lid, Flange and Pin Assembly, Short Stanchions, with End Cap Casting and U-Bolts (for 8.0" sch 40 PVC)



- 1) Finish: ball-burnished.
- 2) For mounting to schedule 40 PVC 8.00" pipe (not included)

TMC1045

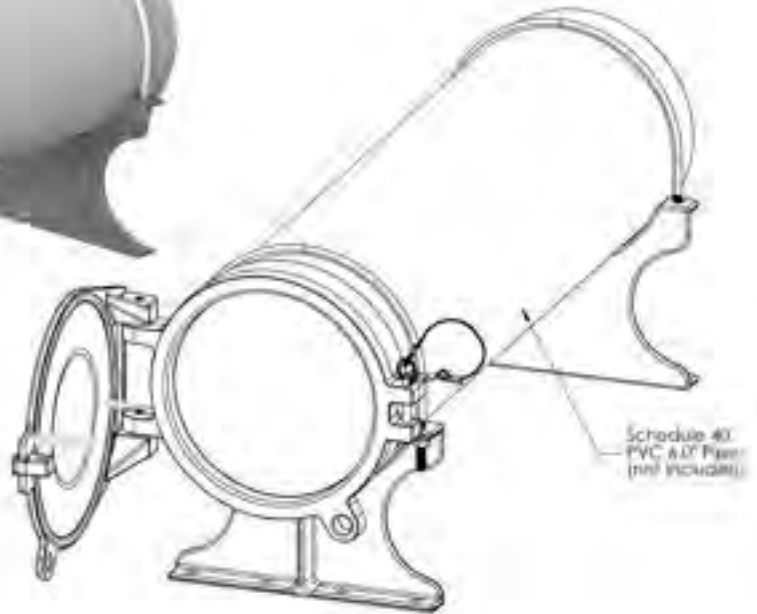
TMC145-5
6.0" Sch 40 PVC - Pin Design - Pike
Pole Tube Door Assembly



TMC1046



TMC1046-5 Kit
Pike Pole / Hot Stick - Lid, Flange and End
Cap Assembly with Tall Stanchion Kit (for
schedule 40 PVC 6.00")



TMC1048



TMC1049



TMC1050

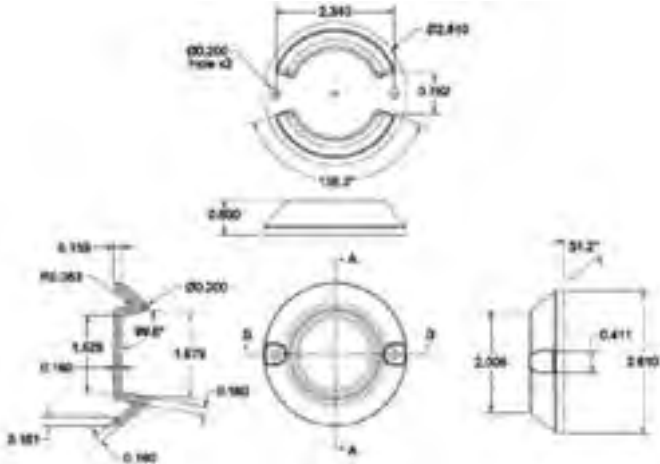
TMC1050-5

4.0" Sch 40 PVC - Pin Design - Pike Pole Tube Door Assembly



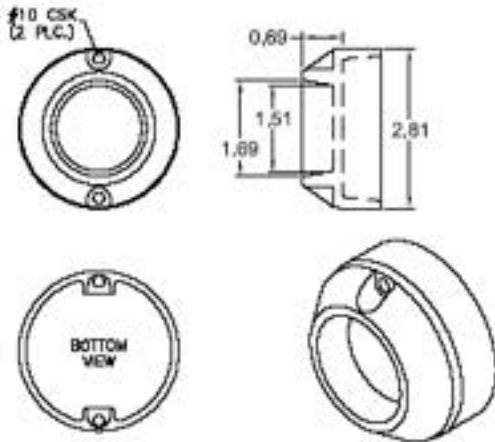
Stretcher Cups

STC0001



STC0001
Post Cup (squad bench mounted)
 1) Finish: Polished exterior.

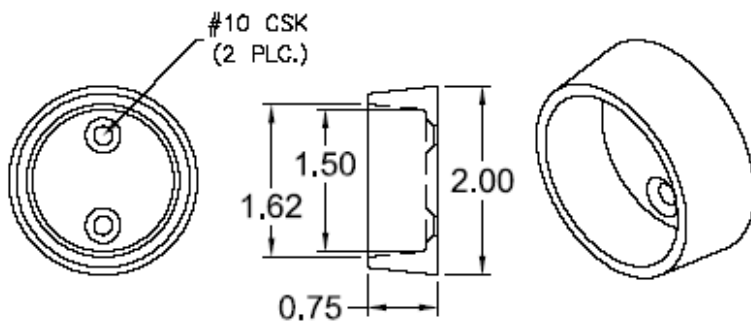
STC0002



STC0002 Elevated Post Cup (Squad Bench Mounted)

- 1) Finish: All exterior surfaces are polished.
- 2) Provides additional stretcher height for thicker squad bench cushions.

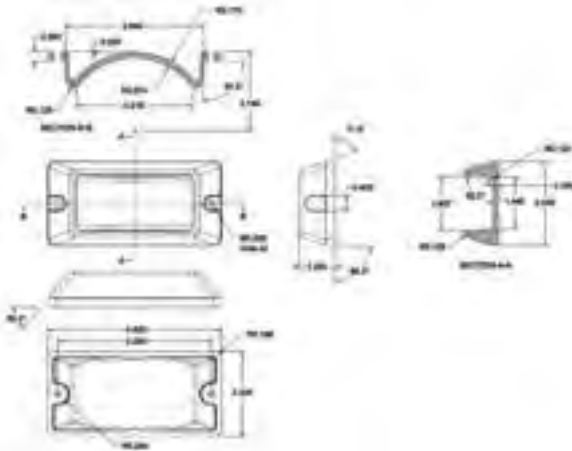
STC0004



STC0004 Post Cup (Squad Bench Mounted)

- 1) Finish: All exterior surfaces are polished.

STC0005

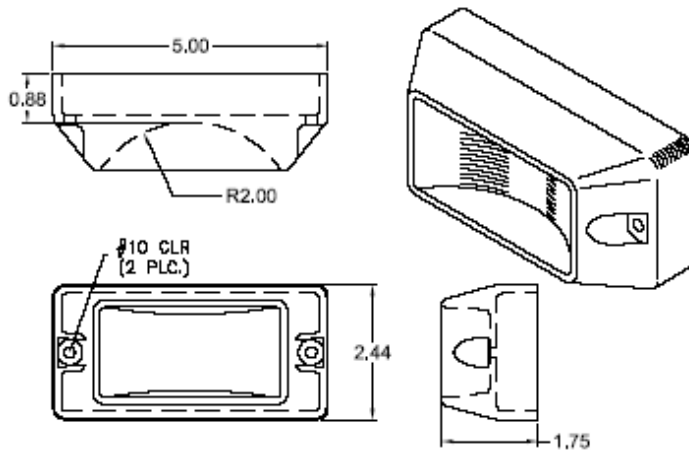


- 1) Finish: Polished exterior.
- 2) For 4" wheel casters.

STC0005 Wheel Cup (squad bench mounted)



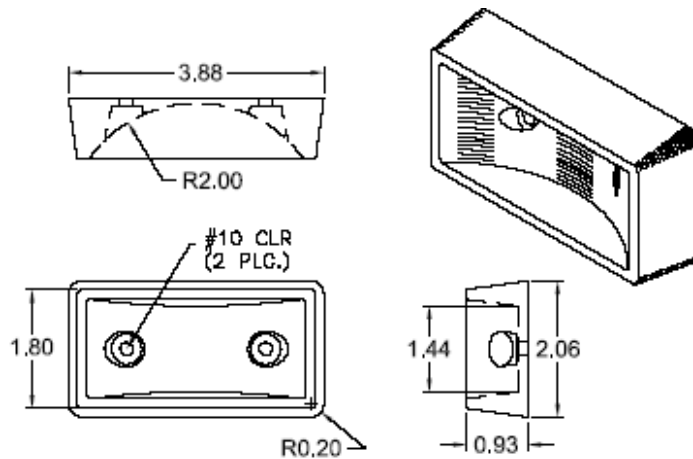
STC0006



STC0006 Elevated Wheel Cup (Squad Bench Mounted)

- 1) Finish: All exterior surfaces are polished.
- 2) Standard for stretcher with 4" diameter casters.
- 3) Provides additional stretcher height for thicker squad bench cushions.

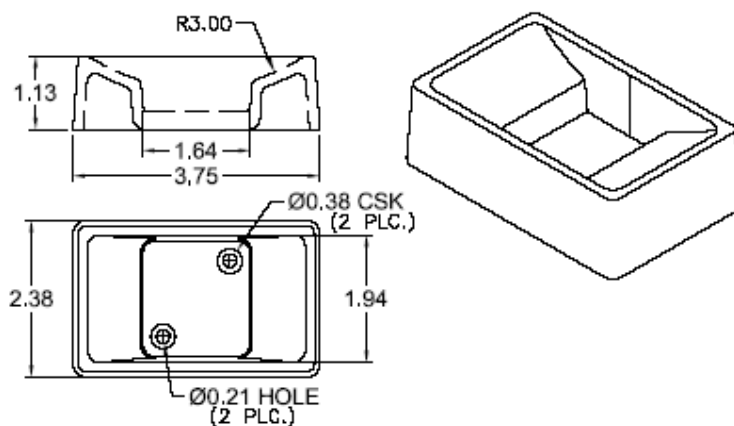
STC0008



STC0008 Recessed Wheel Cup (Squad Bench Mounted)

- 1) Finish: All exterior surfaces are polished.
- 2) Standard for stretcher with 4" diameter casters.

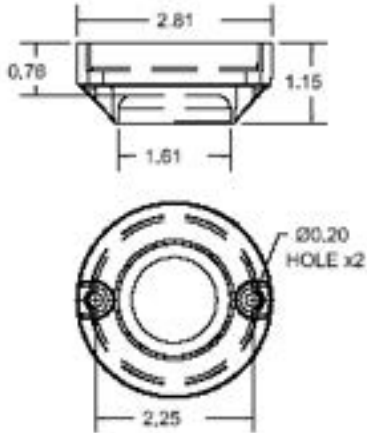
STC0014



STC0014 Single Post / Wheel Cup

- 1) Finish: All exterior surfaces are polished.

STC0017

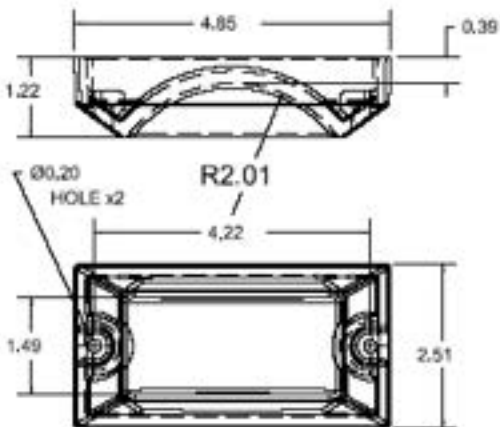


STC0017

1.50" Dia Post Cup

1) Finish: All exterior surfaces are polished.

STC0019



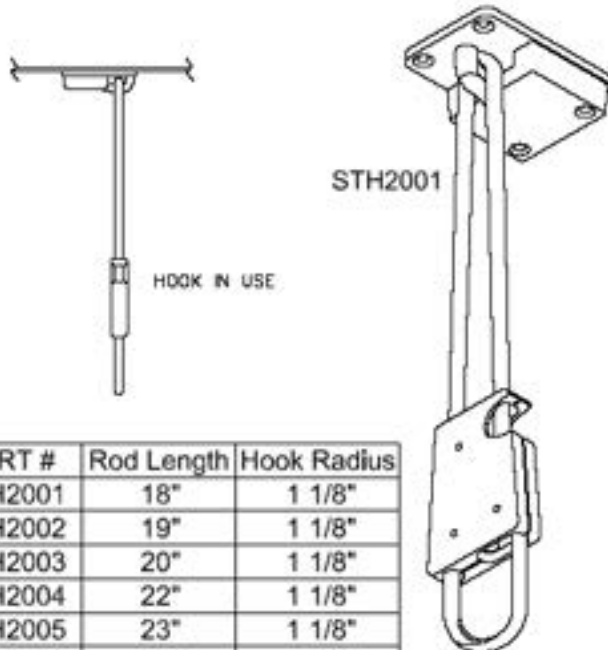
STC0019

R2" Wheel Cup

1) Finish; all exterior surfaces are polished.

Stretcher Hangers

STH2001 thru STH2009



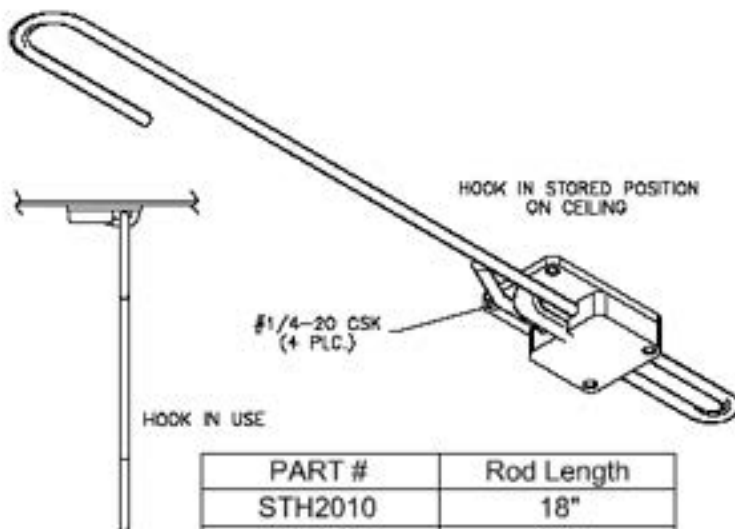
PART #	Rod Length	Hook Radius
STH2001	18"	1 1/8"
STH2002	19"	1 1/8"
STH2003	20"	1 1/8"
STH2004	22"	1 1/8"
STH2005	23"	1 1/8"
STH2006	16"	1 5/8"
STH2007	19"	1 5/8"
STH2008	20"	1 5/8"
STH2009	23"	1 5/8"

STH2001 - STH2009

Ceiling Stretcher Hanger with Positive Retention Latch

- 1) Finish; Designed with a positive retention latch for security when in use.
- 2) STH2001 - STH2005: 1 1/8" inside radius hook (Commercial). STH2006 - STH2009: 1 5/8" inside radius hook (GSA).

STH2010 thru STH2017

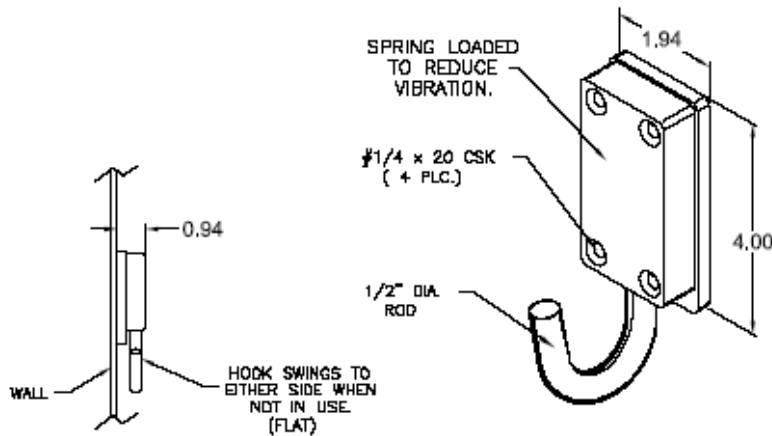


PART #	Rod Length
STH2010	18"
STH2011	19"
STH2012	20"
STH2013	21"
STH2014	23"
STH2015	25"
STH2016	26"
STH2017	28"

STH2010 - STH2017 Ceiling Stretcher Hanger

- 1) Hook is permanently attached to ceiling hanger to prevent misplacement or loss.
- 2) Rubber Inserts in storage slide minimize friction and vibration noise.
- 3) Hook made of 3/8" 6061-T6 aluminum rod.
- 4) Finish; all parts are polished.
- 5) Radiused edges and corners for safety.

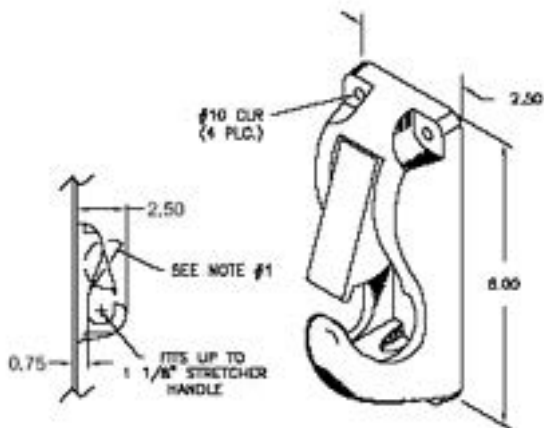
STH2018



STH2018 Stretcher Hook

- 1) Hook made of 3/8" 6061-T6 aluminum rod.
- 2) Finish: all parts are polished.
- 3) Swivel Hook to allow storage against the wall then not in use.

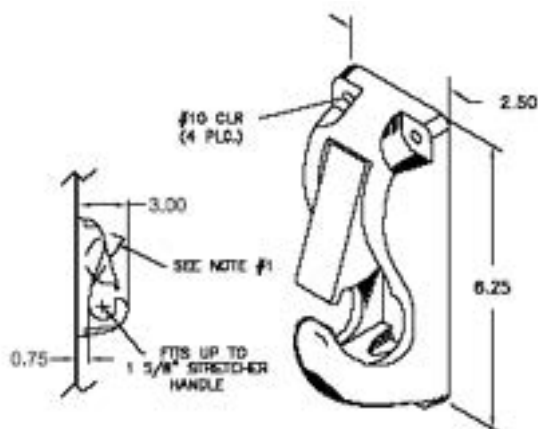
STH2019



STH2019 Positive Retention Wall Hook 1 1/8" ID (Commercial)

- 1) Finish: All parts are polished.
- 2) Provides positive retention hook and a latch to support stretcher, to keep stretcher from bumping out of hook.

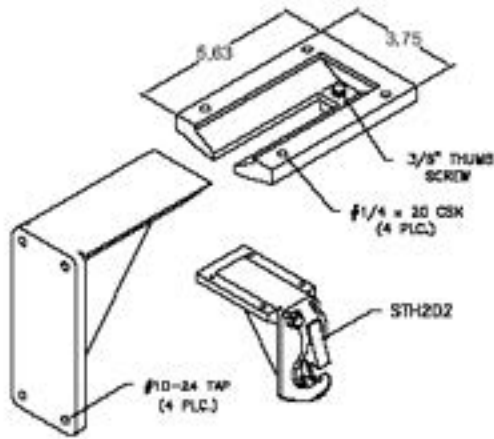
STH2020



STH2020 Positive Retention Wall Hook 1 5/8" ID (Commercial)

- 1) Finish: All parts are polished.
- 2) Provides positive retention hook and a latch to support stretcher, to keep stretcher from bumping out of hook.

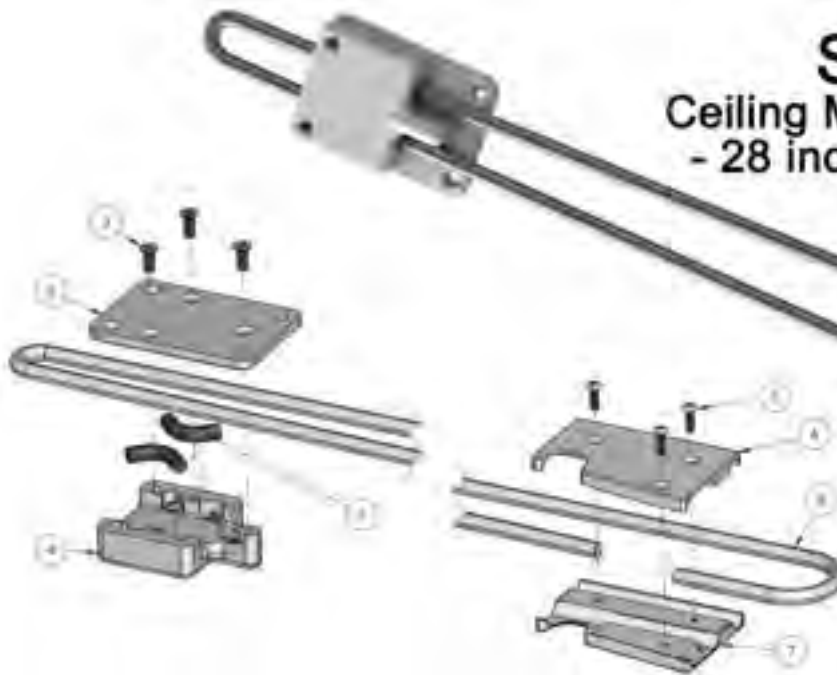
STH2021



STH2021 Removable Cabinet Bracket

- 1) Holds part STH2020 when in use.
- 2) Removable bracket for storage when not in use.
- 3) Finish: bead-blasted.

STH2022



STH2022-1 Ceiling Mount Stretcher Hanger - 28 inch (Positive Retention) 1 5/8" ID

- 1) Finish: polished.
- 2) Designed for secure retention when in use.
- 3) Hook is permanently attached for prevention against misplacement or loss.

STH2023

STH2023-1
24.0" Ceiling Mount Stretcher
Hanger 1 1/8" ID



- 1) Finish: polished.
- 2) Hook is permanently attached for prevention against misplacement or loss.

STH2024

STH2024-1
R1.40" ID, Stretcher Hook - wall
mount



- 1) Finish: polished.
- 2) Hook is permanently attached for prevention against misplacement or loss.



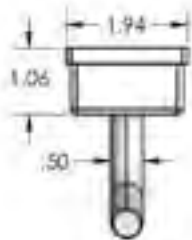
STH2025



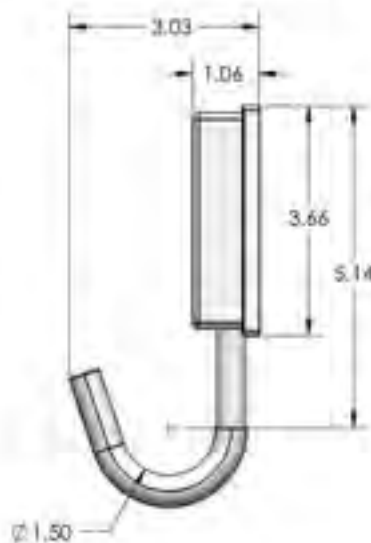
STH2025-1 19.0" Ceiling Mount Stretcher Hanger 1 1/2" ID

- 1) Finish: polished.
- 2) Hook is permanently attached for prevention against misplacement or loss.

STH2026



STH2026-1 1.50" ID, Stretcher Hook - wall mount



1. Finish: AL Rod, Body and Backplate are polished.
2. Hook Swivels flat to wall in either direction.



STH2027

STH2027-1

Ceiling Mount Stretcher Hanger
- 27 inch (Positive Retention)
R 5/8" ID



- 1) Finish: polished.
- 2) Designed for secure retention when in use.
- 3) Hook is permanently attached for prevention against misplacement or loss.

STH2028

STH2028-1

1 5/8" ID Rod - Wall Stretcher Hanger Assembly (Positive Retention)



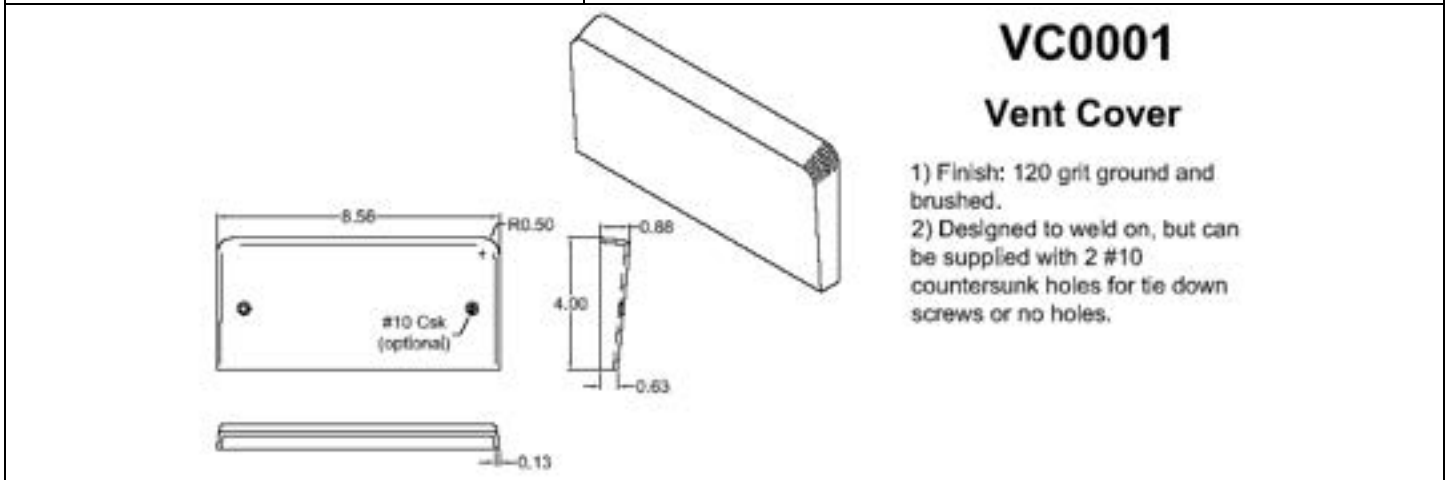
- 1. Finish: ball-burnished with all exterior surfaces polished (except for mounting counterbores and Retainer mounting areas).

STH2029

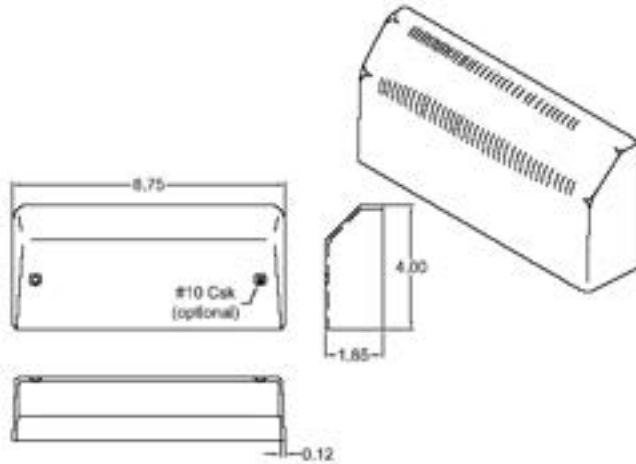


Vent Covers

VC0001



VC0002

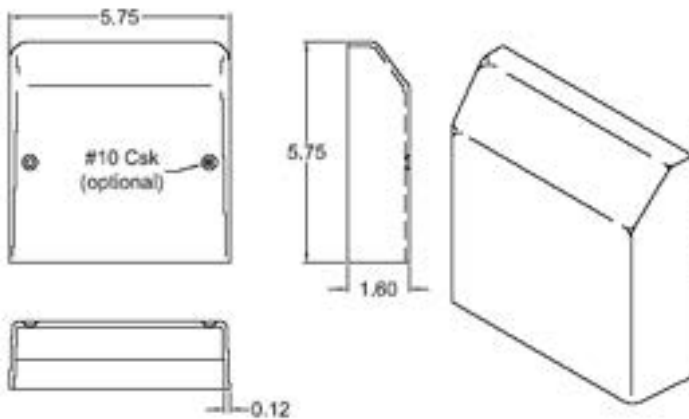


VC0002

Vent Cover

- 1) Finish: 120 grit ground and brushed.
- 2) Designed to weld on, but can be supplied with 2 #10 countersunk holes for tie down screws or no holes.

VC0003

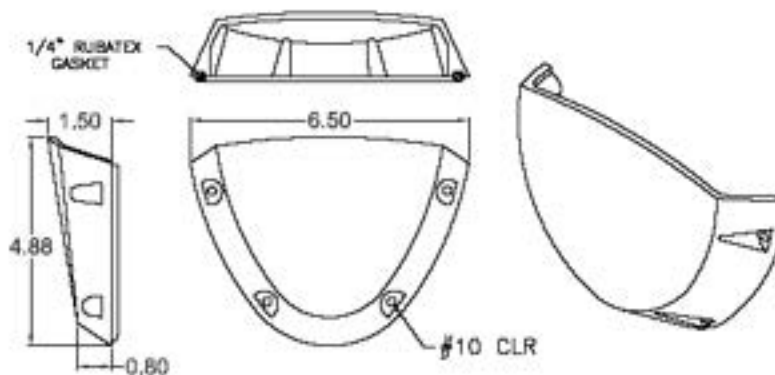


VC0003

Vent Cover

- 1) Finish: 120 grit ground and brushed.
- 2) Designed to weld on, but can be supplied with 2 or 4 #10 countersunk holes for tie down screws or no holes.

VC0004



VC0004

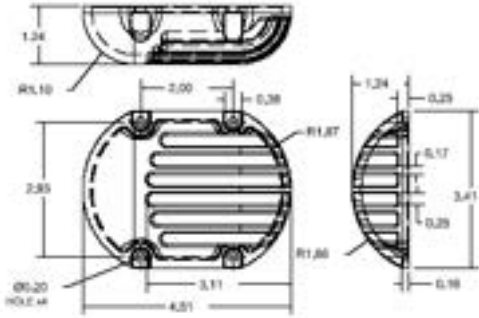
Vent Cover

- 1) Finish: bright polished or bead-blasted.
- 2) Designed to cover the holes cut for venting of the module body or engine compartments (hood).

VC0007

VC0007
Intake Vent Cover

1) Finish: ball-burnished.

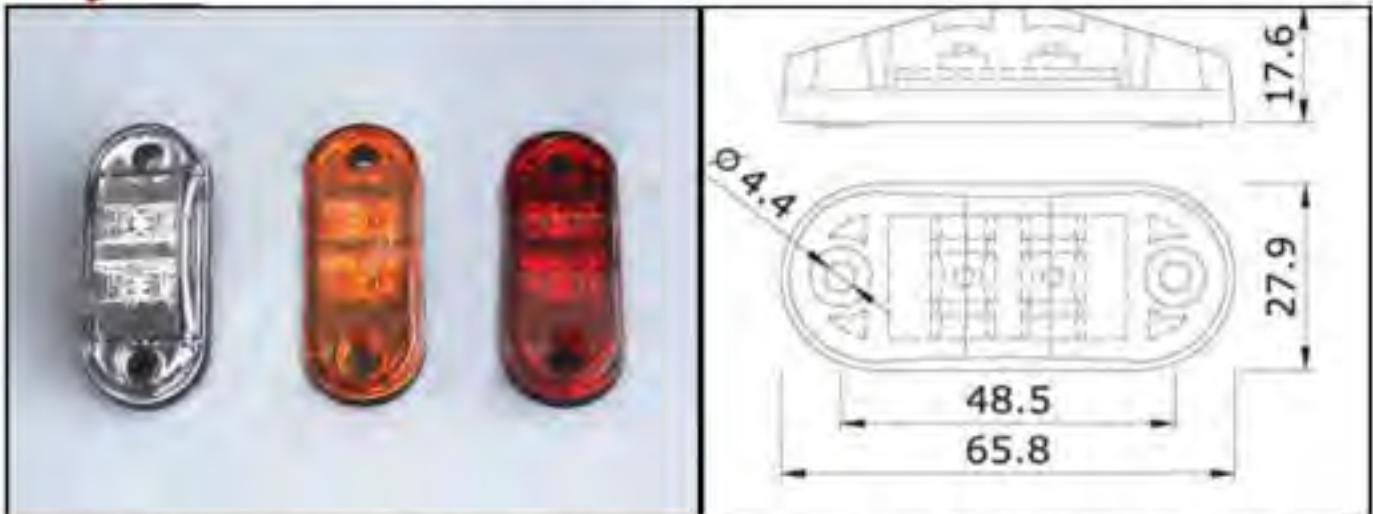


LED Lights and Accessories



Surface Mount LED Marker Lights, & Light Guards

Available in Clear, Red and Amber DOT/SAE Compliant



Part Numbers, Descriptions and Electrical Performance

Part No.	Desc.	# of led	Color	Current at 13.8 Vdc
WL0501-R-A Marker Lamp		2	Red	60 mA (0.06 Amps)
WL0501-A-A Marker Lamp		2	Amber	60 mA (0.06 Amps)
WL0501-C-A Marker Lamp		2	Clear	30 mA (0.03 Amps)
WL0501-TRIM Details see below				



WL0501-TRIM-N 87.3L x 33.3W x 20.6H Bright Stainless Steel	WL0501-TRIM-W 87.3L x 41.2W x 20.6H Bright Stainless Steel	WL0501-GASKET-R 71.8L x 34W x 7.6H Rubber	WL0501-TRIM-A 81L x 44W x 9H Chrome Plated Plastic	WL0501-TRIM-B 100L x 36W x 10H Chrome Plated Plastic	LH91102 89.4L x 52W x 21.3H Chrome Plated Alumi
--	--	---	--	--	---

- Height dimensions do not include gasket thickness. Add approximately 2.5 mm
- All Trim Guards and Marker lights are supplied with gaskets
- All Marker lights have 12" lead wires
- The marker lights comply with requirements of the US DOT 03 and SAE P2P3
- Mounting hardware not included



Warranty and Returns

Warranty: General products;

Cast Products, Inc. (CPI) warrants all aluminum castings, stainless steel stampings, aluminum extrusions, rubber or plastic molded products manufactured by CPI to be free of defects due to material and or workmanship sixty days from the CPI shipping date. This warranty does not cover ordinary wear, negligence, alterations or deterioration of surface finish due to lack of cleaning and or polishing in normal use. It is the responsibility of the purchaser / owner to routinely clean and polish the surface of the product to maintain the original shine and luster as delivered.

Warranty: Siren speaker drivers;

Cast Products, Inc. (CPI) warrants all new siren speaker drivers for a period of two years under normal use and service, from the marked product date code to the end user. This warranty does not cover speaker drivers subjected to abuse, misuse, improper operating voltage, modifications or incorrect installations. This warranty does not cover deterioration of the speaker housing surface finish beyond the sixty days as stated for aluminum castings. It is the responsibility of the purchaser / owner to routinely clean and polish the surface of the product to maintain the original shine and luster as delivered.

Warranty: Chrome plated and powder coated castings;

Cast Products, Inc. (CPI) warrants all chrome plated and powder coated castings manufactured by CPI to be free of defects due to material or workmanship for a period not to exceed one (1) year from the CPI shipping date. This warranty does not cover ordinary wear, negligence, or alterations made by the purchaser or deterioration of surface finish due to lack of cleaning and or polishing of the material in normal use. It is the responsibility of the purchaser / owner to routinely clean the surface of the product to maintain the original shine and luster as delivered.

Warranty: Lights / LED Lights;

Cast Products, Inc. (CPI) warrants Lights / LED Lights to be free of defects due to material or workmanship for a period not to exceed one (1) year from the CPI shipping date (Supplier Warranty).

Product Returns Policy:

No product may be returned for credit without the prior authorization from Cast Products, Inc. (CPI). Contact CPI at returns@getcpi.com for a return authorization number to insure proper crediting to your account. Any product returned without the return authorization will be returned freight collect. A minimum restocking fee of 25% may apply. Returns will be inspected for improper packaging and shipping damage and at CPI's discretion; a charge for repairing or refinishing may apply.

This warranty does not cover travel expenses, the cost of specialized equipment for gaining access to the product, or labor charges for removal and re-installation of the product.

Index

AD0001.....	16	DH0011.....	39	FA0032.....	65	FG0006-2_Cyl_Lock.....	93
AD0002.....	16	DH0016 and -A.....	40	FA0035.....	66	FG0006-2_Friction.....	94
AD0003.....	16	DH0017 and -A.....	40	FA0036.....	66	FG0501.....	95
AD0004.....	17	DH0018 and -A.....	41	FA0037.....	69	FG0901.....	95
AD0005.....	17	DH0019 and -A.....	41	FA0039.....	70	FG1501.....	96
AD0006.....	17	DH0020 and -A.....	42	FA0040.....	67	FG1801.....	96
AD0007.....	18	DH0022 and -A.....	42	FA0041.....	67	FG2001.....	97
AD0008.....	18	DH0024.....	43	FA0042.....	68	FG2101.....	97
AD0009.....	18	DH0025.....	43	FA0043.....	69	FG2102.....	98
AD0010.....	19	DH0028.....	43	FA0044.....	70	FG2103.....	98
AD0011.....	19	DH0029.....	44	FA0045.....	71	FG2104.....	99
AD0012.....	19	DH0030.....	44	FA2002.....	71	FG2201.....	99
AD0013.....	20	DH0031.....	44	FA2003.....	72	FG2204.....	100
AD0014.....	20	DH0032.....	45	FA2004.....	72	FG2205.....	100
AD0015.....	20	DH0033.....	45	FA2005.....	72	FG2206.....	101
AD0016.....	21	DH0036.....	45	FA2006.....	73	FG2207.....	102
AD0017.....	21	DH0041 and -A.....	46	FA2011-5 FA2011-5-A.....	73	FG2208.....	102
AD0018.....	21	DH0042.....	46	FA4003.....	74	FG3001.....	103
AD0019.....	22	DH0043.....	47	FA4004.....	74	FG3101.....	103
AD0020.....	22	DH0046.....	47	FA4005.....	74	FG4101.....	103
AD0021.....	22	DH0050.....	48	FA4007.....	75	FG4102.....	104
AD0022.....	23	DH0051.....	48	FA4008.....	75	FG4103.....	104
AD0023.....	23	DH0052.....	49	FA4010.....	75	FG4104.....	104
AD0025.....	23	DH0052-B.....	49	FA4011.....	76	FG4201.....	105
AD0026.....	24	DH0053.....	50	FA4012.....	76	FG4202.....	105
AD0027.....	24	DH0054.....	50	FA4013.....	76	FG4204.....	106
AD0028.....	24	DH0058.....	51	FA4014.....	77	FG4205.....	107
AD0029.....	25	EB0001.....	51	FA4014-A.....	77	FG4501.....	108
AD0030.....	25	EB0002.....	52	FA4015.....	78	FG4502.....	108
AD0032.....	26	EB0003.....	52	FA4015-A.....	78	FG4503.....	109
AD0034.....	26	EB0004.....	52	FA4016.....	79	FG4504.....	109
AD0035.....	27	EB0005.....	53	FA4016-A.....	79	FG5301.....	110
AD0037.....	27	EB0006.....	53	FA4018.....	80	FG5302.....	110
AD0038.....	28	EB0007.....	53	FA5001.....	80	FG5303.....	110
AD0039.....	28	EB0008.....	54	FA5002.....	81	FG5304.....	111
AD0040.....	29	EB0009.....	54	FA5003.....	81	FG5305.....	111
AD0042, AD0042-C, AD0042-L.....	29	EB001.....	55	FC4002.....	82	FG5306.....	112
AD2001.....	30	EB0010.....	55	FC4003.....	82	FG5307.....	112
AD2002.....	31	EB0012.....	56	FC4004.....	82	FG5308.....	112
ADC0141.....	32	EB0013.....	56	FC4005.....	83	FG5309.....	113
ADM0001.....	32	EB0014.....	57	FD1002.....	83	FG5310.....	113
ADM0002.....	33	EB0015.....	58	FD1004.....	83	FG5501.....	113
ADM0004.....	33	EB0016.....	59	FD1005.....	84	FG5502.....	114
BC0001.....	34	EB0017.....	60	FD1006.....	84	FG5503.....	114
BC0002.....	34	FA0002.....	60	FD1007.....	84	FG5504.....	115
BC0003.....	34	FA0004.....	61	FD1008.....	85	FG5701.....	115
BC0006.....	35	FA0006.....	61	FD1009.....	86	FG5703.....	116
BC0010.....	35	FA0012.....	62	FD1010.....	86	FG5704.....	117
BC0011.....	35	FA0013.....	62	FD1011.....	87	FG6501.....	117
BC0012.....	36	FA0018.....	62	FD1012.....	87	FGL0022 FGL0042 FGL0053.....	118
BC0013.....	36	FA0019.....	63	FD1013.....	88	119
BCH0001.....	37	FA0020.....	63	FD1014.....	88	FGT0022 FGT0042 FGT0053.....	119
BCH0002.....	37	FA0021.....	63	FD1015.....	89	120
DH0001.....	38	FA0026.....	64	FD1016.....	89	FR0001.....	120
DH0002.....	38	FA0027.....	64	FD1017.....	90	FR0006.....	120
DH0006.....	38	FA0028.....	64	FG0001.....	90	FR0009.....	120
DH0007.....	39	FA0029.....	65	FG0002-A.....	91	FR0010.....	121
DH0008.....	39	FA0030.....	68	FG0002-B.....	91	FR0011.....	121
		FA0031.....	65	FG0003.....	92		

FR0012.....	121	LB0011.....	151	LH37202.....	179	LH37736.....	209
FR0013.....	122	LB0013.....	151	LH37203.....	179	LH37737.....	210
FR0014.....	122	LB0019.....	151	LH37205.....	180	LH37738.....	210
FR0015.....	122	LB0020.....	152	LH37206.....	180	LH37739.....	210
FR0021.....	123	LB0021.....	152	LH37208.....	180	LH37744.....	211
FR0022.....	123	LB0022.....	152	LH37209.....	181	LH37745.....	211
FR0025.....	123	LB0023.....	153	LH37210.....	181	LH37746 LH37747.....	211
FR0026.....	124	LB0024.....	153	LH37213.....	181	LH37748 LH37749.....	212
FR0027.....	124	LB0025-A.....	153	LH37214.....	182	LH37750 LH37751.....	212
FR0028.....	124	LB0025-B.....	154	LH37225 LH37226.....	182	LH37752 LH37753.....	212
FR0029.....	125	LB0026.....	154	LH37227 LH37228.....	183	LH37754 LH37755.....	213
FR0030.....	125	LB0028.....	154	LH37229 LH37230.....	183	LH37756 LH37757.....	213
FR0041.....	125	LB0029.....	155	LH37231 LH37232.....	184	LH37758 LH37759.....	213
FR0043.....	126	LB0031.....	155	LH37233 LH37234.....	185	LH37762 LH37763.....	214
FR0044.....	126	LB0032.....	155	LH37235 LH37236.....	186	LH37764 LH37765.....	214
FR0045.....	127	LB0033.....	156	LH37237 LH37238.....	187	LH37766 LH37767.....	215
FR0046.....	127	LB0034.....	156	LH37239 LH37240.....	188	LH37768 LH37769.....	215
FR0047.....	127	LB0041-A.....	157	LH37241 LH37242.....	189	LH37770 LH37771.....	216
FR0048.....	128	LB0041-B.....	158	LH37243 LH37244.....	190	LH37772 LH37773.....	216
FR0049.....	128	LB0045.....	159	LH37245 LH37246.....	191	LH37774 LH37775.....	217
FR0051.....	129	LB0048.....	159	LH37247 LH37248.....	192	LH37776 LH37777.....	217
FR0052.....	129	LB0049-A.....	160	LH37251.....	193	LH37778 LH37779.....	218
FR0054.....	130	LB0049-B.....	160	LH37252.....	193	LH37780 LH37781.....	218
FR042.....	126	LB0051 LB0052.....	161	LH37253 LH37254.....	194	LH37782 LH37783.....	219
FR1004.....	130	LB0053 LB0054.....	161	LH37301.....	194	LH37784 LH37785.....	219
FR101294021.....	131	LB0057 LB0058.....	162	LH37501.....	194	LH37786 LH37787.....	220
FR101294022.....	131	LB0059 LB0060.....	163	LH37502.....	195	LH37788 LH37789.....	221
FS0002.....	132	LH0010.....	164	LH37607.....	195	LH37790 LH37791.....	221
FS0003.....	132	LH10101.....	164	LH37611.....	195	LH37792 LH37793.....	222
HD0002.....	136	LH10201.....	165	LH37612.....	196	LH37794 LH37795.....	222
HD0005.....	136	LH14701.....	165	LH37620.....	196	LH37796 LH37797.....	223
HD0007.....	136	LH14702.....	165	LH37621.....	196	LH37798 LH37799.....	223
HD0008.....	137	LH20101.....	166	LH37630.....	197	LH37M101.....	224
HD0009.....	137	LH20103.....	166	LH37631.....	197	LH37M601 LH37M602.....	224
HD0010.....	137	LH20104.....	167	LH37632.....	197	LH37M705 LH37M706.....	225
HD0011.....	138	LH20105.....	167	LH37633.....	198	LH46001.....	225
HD0012.....	138	LH20201.....	167	LH37638.....	198	LH46103.....	226
HD0013.....	138	LH20205.....	168	LH37639.....	198	LH46104.....	226
HD0015.....	139	LH20206.....	168	LH37640.....	199	LH46105.....	226
HD0016.....	139	LH23201.....	169	LH37641.....	199	LH46106.....	227
HD0019.....	139	LH23202.....	169	LH37642.....	199	LH46107.....	227
HD0020.....	140	LH23501.....	169	LH37643.....	200	LH46109.....	227
HD0022.....	140	LH32101.....	170	LH37646.....	200	LH46110.....	228
HD0027.....	140	LH32102.....	170	LH37647.....	200	LH46111.....	228
HD0028.....	141	LH32201.....	171	LH37650 LH37651.....	201	LH46112.....	228
HD0029.....	141	LH32301.....	171	LH37656 LH37657.....	201	LH46113.....	229
HD0030.....	141	LH34203.....	172	LH37658 LH37659.....	201	LH46114.....	229
HD0031.....	142	LH34M4701 LH34M4702.....	172	LH37662 LH37663.....	202	LH46115.....	229
HD0035.....	142	LH35101.....	173	LH37664 LH37665.....	202	LH46116.....	230
HD0041.....	142	LH35202.....	173	LH37666 LH37667.....	203	LH46117.....	230
HD0045.....	143	LH35603.....	173	LH37668 LH37669.....	203	LH46118.....	230
HD0046.....	143	LH35604.....	174	LH37670 LH37671.....	204	LH46119.....	231
HD0047.....	144	LH35703.....	174	LH37672 LH37673.....	204	LH46120.....	231
HD0050 HD0051.....	144	LH35704.....	174	LH37674 LH37675.....	205	LH46121.....	231
HD0052.....	145	LH35709 LH35710.....	175	LH37676 LH37677.....	205	LH46122.....	232
HD0053.....	145	LH37008.....	175	LH37678 LH37679.....	206	LH46123.....	232
HD4001-1.....	146	LH37101.....	175	LH37701.....	206	LH46124.....	232
HD4002-1.....	146	LH37102.....	176	LH37702.....	207	LH46125.....	233
IV2001.....	147	LH37104.....	176	LH37703.....	207	LH46126.....	233
IV2002.....	147	LH37105.....	176	LH37712.....	207	LH46127.....	233
IV2007.....	148	LH37106.....	177	LH37713.....	208	LH46128.....	234
IV2008.....	149	LH37107.....	177	LH37722.....	208	LH46129.....	234
LB0004.....	150	LH37108.....	177	LH37723.....	208	LH46130.....	234
LB0005.....	150	LH37109.....	178	LH37734.....	209	LH46131.....	235
LB0006.....	150	LH37201.....	179	LH37735.....	209		

LH46132.....	235	LH90201	262	OA1101 OA1102 OA1103		SA3801	312
LH46201.....	235	LH90301	262	OA1107	287	SA3804	314
LH46202.....	236	LH90405	263	OA1104 OA1105.....	288	SA4201	322
LH46301.....	236	LH90504	263	OA1201 OA1202.....	289	SA4204	323
LH46501.....	236	LH90603	263	OA1205.....	290	SA4206	323
LH46502.....	237	LH90902	264	PL1015.....	133	SA4208	323
LH46601.....	237	LH91102	264	PL1016.....	134	SA4209	324
LH46602.....	237	LH91201	264	PL1017.....	135	SA4210	324
LH46603.....	238	LH91203	265	RG0005.....	291	SA4225	325
LH46604.....	238	LH91401	265	RG0007.....	291	SA4226	325
LH46707.....	238	LP0002	265	RG0013	291	SA4227	326
LH46708.....	239	LP0002-C.....	266	RG0014	292	SA4301	326
LH46709.....	239	LP0004	266	RG0015.....	292	SA4303	327
LH46710.....	239	LP0004-B.....	267	RG0016.....	292	SA4305	327
LH52001.....	240	LP0005.....	267	RG0017.....	293	SA4306	327
LH52501.....	240	LP0005-C.....	268	RG0020.....	293	SA4310	328
LH52503.....	241	LP0007	268	RG0021.....	293	SA4311	328
LH52605 LH52606.....	241	LP0009.....	269	RG0025.....	294	SA4316	328
LH52609 LH52610.....	242	LP0013	269	RG0026.....	294	SA4317	329
LH52611 LH52612.....	242	LP0014	270	RG0030.....	294	SA4401	329
LH52615 LH52616.....	243	MC0001	270	RG0033.....	295	SA4402	329
LH52617 LH52618.....	243	MC0003	271	RG0034.....	295	SA5403	333
LH52619 LH52620.....	244	MC0005	271	RG0035.....	295	SA5414	334
LH52621 LH52622.....	244	MC0010	271	RG0036.....	296	SA5501	334
LH52623 LH52624.....	245	MC0011	272	RG0037.....	296	SA6004	335
LH52625 LH52626.....	245	MC0017	272	RG0040.....	296	SA6011	335
LH52627 LH52628.....	246	MC0021	272	RG0043.....	297	SA6016	336
LH52703.....	246	MC0023	273	RG0048.....	297	SA6113	336
LH52704.....	247	MC0026	273	RG0050.....	297	SA6114	336
LH52707 LH52708.....	247	MC0027	273	RG0057.....	298	SA6117	337
LH52709 LH52710.....	248	MC0028	274	RG0063.....	298	SA6118	338
LH52711 LH52712.....	248	MC0033	274	RG0064.....	298	SA6300	339
LH52713 LH52714.....	249	MC0037	274	RG0076.....	299	SA7001	341
LH52715 LH52716.....	249	MC0052	275	RG0077.....	299	SA7001-A.....	342
LH52717 LH52718.....	250	MC0061	275	RG0078.....	299	SA7003	342
LH52719 LH52720.....	250	MC0063	275	RG0079.....	300	SA7004	343
LH58201.....	251	MC0071	276	RG0080.....	300	SA7006	343
LH79101.....	251	MC0075	276	RG0081.....	300	SA7007	343
LH79102.....	251	MC0076	276	RR0001	301	SA7010	344
LH79103.....	252	MC0077	277	RR0007	301	SA7011	344
LH79104.....	252	MC0079	277	RR0010	301	SA7101	345
LH79105.....	252	MC0080	277	RR0012	302	SAD3201 SAP3201.....	312
LH79106.....	253	MC0083	278	RR0013	302	SAD3801 SAP3801.....	313
LH79107.....	253	MC0089	278	RR0014	302	SAD3802 SAP3802.....	313
LH79108.....	253	MC0090	278	RR0024	303	SAD3803 SAP3803.....	314
LH79110.....	254	MC0091	279	RR0027	303	SAD3805 SAP3805.....	315
LH79201.....	254	MC0094	279	RR0034	303	SAD3806 SAP3806.....	315
LH79202.....	254	MC0096	280	RR0035 RR0036.....	304	SAD3807 SAP3807.....	316
LH79205.....	255	MC0097	280	RR0037 RR0038.....	304	SAD3808 SAP3808.....	316
LH79207.....	255	MC0098	281	RR0040 RR0041.....	305	SAD3809 SAP3809.....	317
LH79209.....	255	MC0099	281	RR0042	305	SAD3810 SAP3810.....	317
LH79210.....	256	MC0101	282	RR0043	306	SAD3811 SAP3811.....	318
LH79211.....	256	MC0102	282	RR0044	306	SAD3813 SAP3813.....	318
LH79215 LH79216.....	256	MC0103	283	SA1502	307	SAD3815 SAP3816.....	319
LH79217 LH79218.....	257	MC0104	283	SA2201	308	SAD3819 SAP3820.....	319
LH79219 LH79220.....	257	MC51145	284	SA2208	308	SAD3821 SAP3822.....	320
LH79221 LH79222.....	258	OA0002.....	284	SA2301	308	SAD3823 SAP3824.....	320
LH79223 LH79224.....	259	OA0003.....	284	SA2401	309	SAD3826 SAP3825.....	321
LH79225 LH79226.....	259	OA0004.....	285	SA2403	309	SAD3827 SAP3828.....	321
LH79227 LH79228.....	260	OA0005.....	285	SA2405	309	SAD3829 SAP3830.....	322
LH79229 LH79230.....	260	OA0006.....	285	SA3203	310	SAD4302 SAP4302.....	330
LH79301.....	261	OA0007.....	286	SA3501	310	SAD4307 SAP4307.....	330
LH79302.....	261	OA0008.....	286	SA3502	310	SAD4308 SAP4308.....	330
LH79304.....	261	OA0009.....	286	SA3503	311	SAD4309 SAP4309.....	331
LH79311.....	262			SA3504	311		

SAD4312 SAP4312	331	SP2016-B	359	SS0007	375	TMC0024	381
SAD4314 SAP4314	331	SP2017	360	SS0014	375	TMC0027	382
SAD4318 SAP4318	332	SP2018	360	SS0018	376	TMC0053	382
SAD4319 SAP4319	332	SP2023	360	SS0019	376	TMC0054	383
SAD4321	333	SP2024	361	SS0022	376	TMC0056	383
SAD5401 SAP5401	334	SP2025	361	SS0025	377	TMC0058	384
SAD6007 SAP6007	339	SP2026	361	SS0028	377	TMC0060	384
SAD6301 SAP6301	340	SP2027	362	SS0031	377	TMC0062	385
SAD6302 SAP6302	340	SP2028	362	SS0034	378	TMC0069	386
SAD6303 SAP6303	341	SP2029	362	SS0037	378	TMC0086	386
SH0001	346	SP2030	363	SS0038	379	TMC0090	387
SP0003	346	SP2032	363	SS0039	379	TMC1007	388
SP0004	347	SP2033	363	SS0040	380	TMC1008	388
SP2001	347	SP2034	364	SS0041	380	TMC1009	389
SP2002	347	SP2035	364	STC0001	399	TMC1010	389
SP2003	348	SP2036	365	STC0002	400	TMC1012	390
SP2003-B	348	SP2037	365	STC0004	400	TMC1025	391
SP2004	349	SP2038	366	STC0005	400	TMC1026	392
SP2004-D	349	SP2041	366	STC0006	401	TMC1027	393
SP2004-TB	350	SP2042	367	STC0008	401	TMC1039	393
SP2006	350	SP2043	367	STC0014	401	TMC1040	394
SP2006-B	351	SP2701	368	STC0017	402	TMC1043	395
SP2007	351	SP2702	368	STC0019	402	TMC1044	396
SP2007-B	352	SP2901	369	STH2001 thru STH2009 ..	403	TMC1045	397
SP2008	352	SP3001	369	STH2010 thru STH2017 ..	403	TMC1046	397
SP2009	353	SP3002	370	STH2018	404	TMC1048	398
SP2009-B	353	SP3003	370	STH2019	404	TMC1049	398
SP2010	354	SP4301	370	STH2020	404	TMC1050	399
SP2010-B	354	SP4401	371	STH2021	405	TRR0002	307
SP2011	355	SP4410	371	STH2022	405	VC0001	409
SP2011-C	355	SP4500	372	STH2023	406	VC0002	410
SP2012	356	SP6610	372	STH2024	406	VC0003	410
SP2012-D	356	SS0001	373	STH2025	407	VC0004	410
SP2013	357	SS0001-A -B -C -D -E	373	STH2026	407	VC0007	411
SP2013-B	357	SS0002	374	STH2027	408	WL0501 series LED lights and accessories	412
SP2014	358	SS0003	374	STH2028	408		
SP2014-B	358	SS0004	374	STH2029	409		
SP2016	359	SS0005	375	TA4100	381		