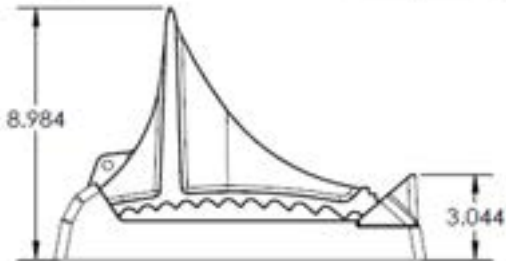
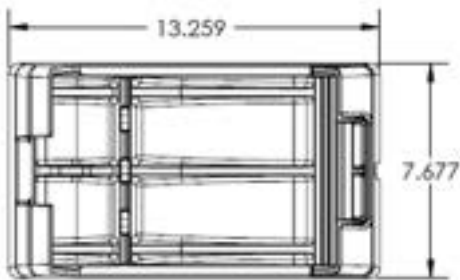


TMC0090

TMC0090-4
Wheel Chock and Holder Assembly

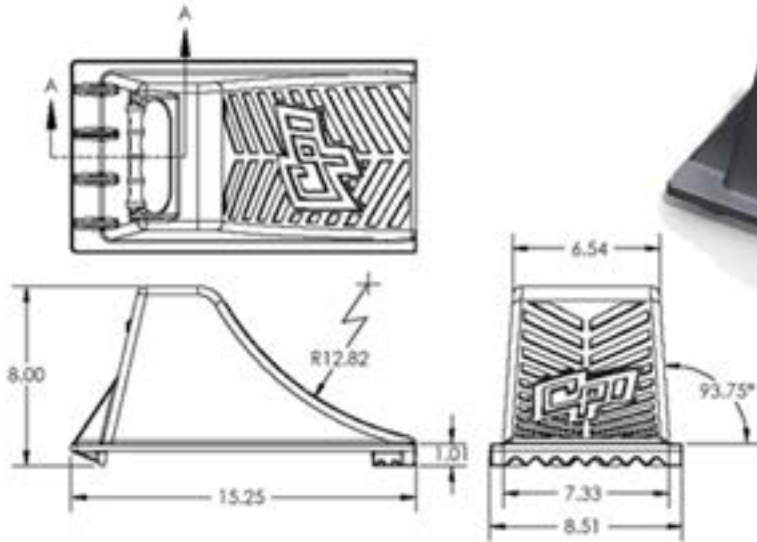


- 1) Finish: wheel-a-brated.
- 2) Mounting base has spring loaded retainer, for mounting vertical as well as horizontal.



TMC1008

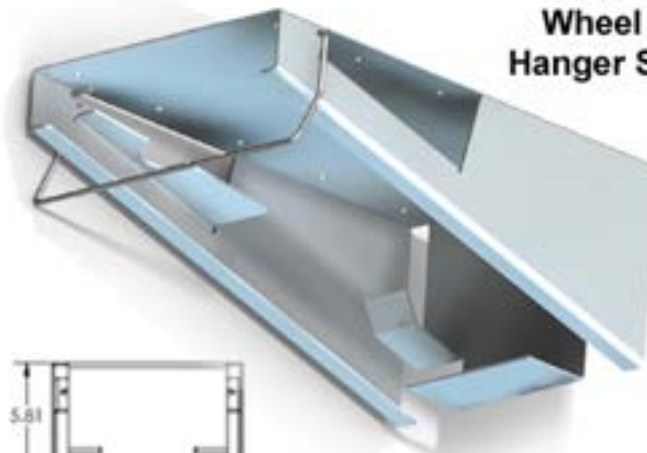
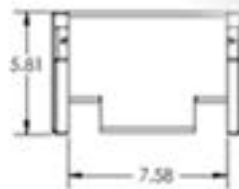
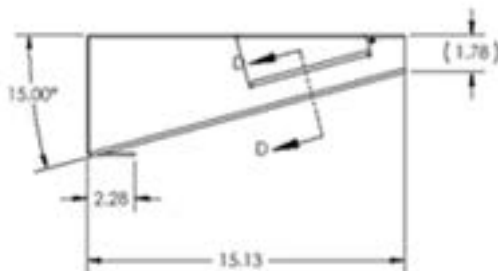
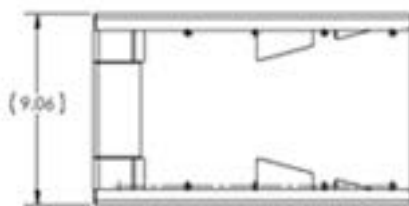
TMC1008 Wheel Chock Casting



- 1) Finish: wheel-a-brated.
- 2) Meets NFPA and SAEJ348 standards.
- 3) For up to a 32" diameter tire.

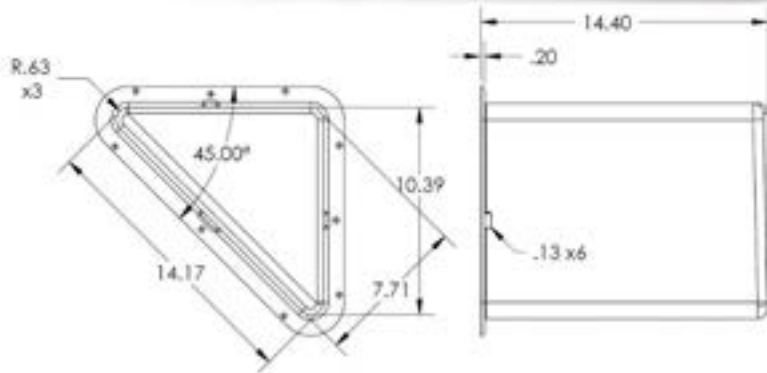
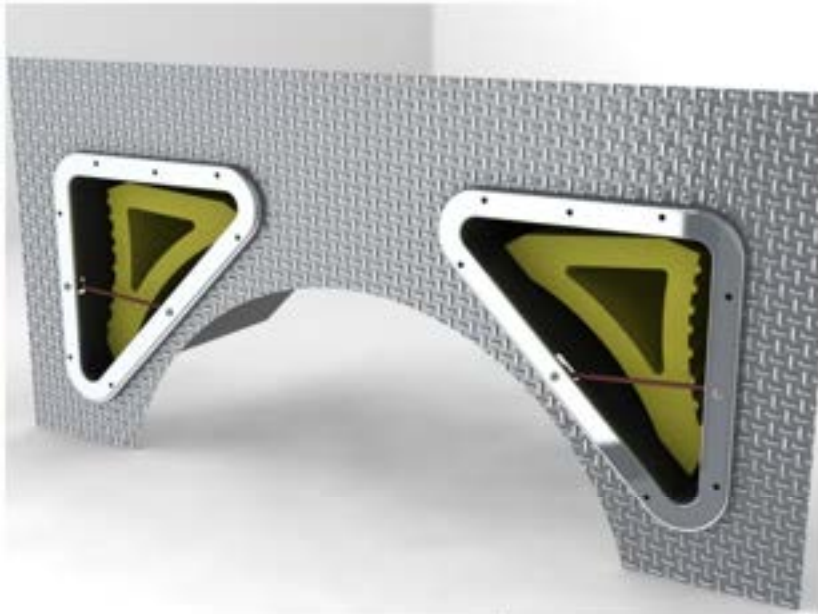
TMC1010

TMC1010 Wheel Chock Hanger Stamping



- 1) Finish: natural aluminum sheet
- 2) For TMC1008 Wheel Chock Casting.

TMC1027



TMC1027-1

Assembly - Rotary Molded
Wheel Chock Holder, Face Trim
and Bungee Cord Retainer

- 1) Finish: Trim is polished.
- 2) wheel chocks not included.



TMC1039



TMC1039-1

Assembly - Rotary Molded
Wheel Chock Holder w/ 112.5
Corners Face Trim

- 1) Finish: Trim is polished.
- 2) wheel chocks not included.

FR0054

FR0054

**Wheel Chock Flange
Trim**

1) Finish: Polished.

