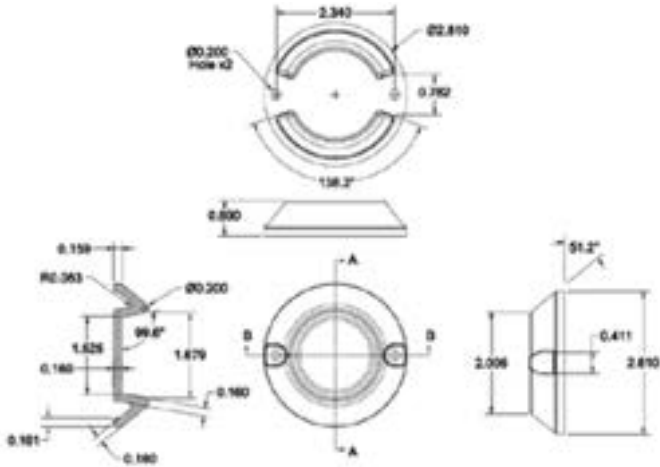


Stretcher Cups

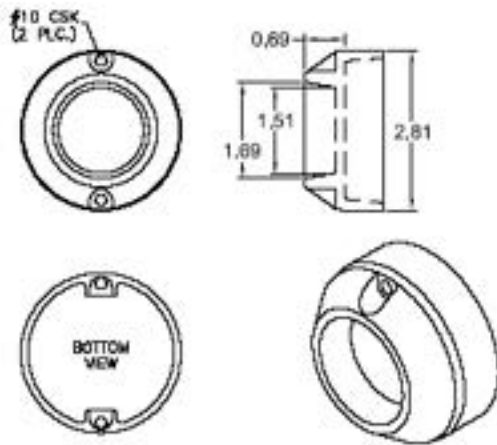
STC0001



STC0001 Post Cup (squad bench mounted)

1) Finish: Polished exterior.

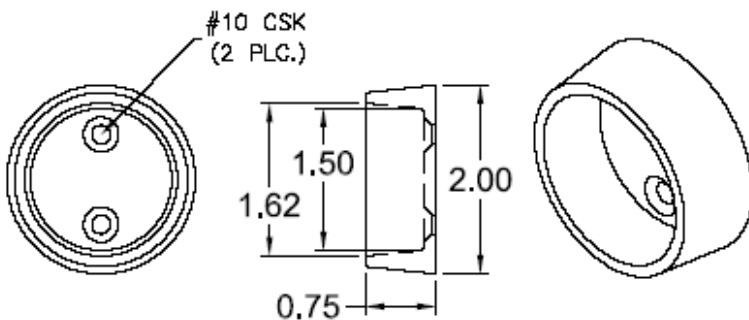
STC0002



STC0002 Elevated Post Cup (Squad Bench Mounted)

- 1) Finish: All exterior surfaces are polished.
- 2) Provides additional stretcher height for thicker squad bench cushions.

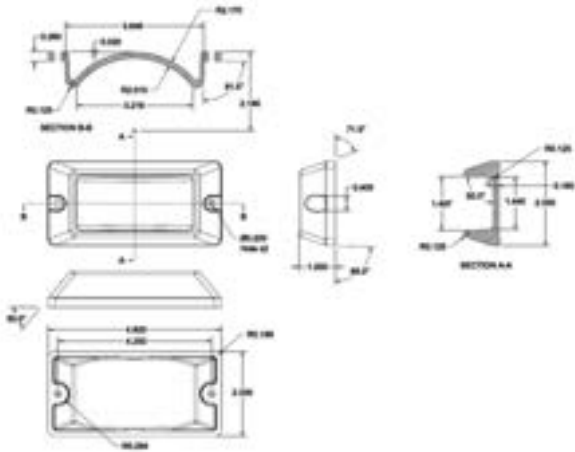
STC0004



STC0004 Post Cup (Squad Bench Mounted)

- 1) Finish: All exterior surfaces are polished.

STC0005

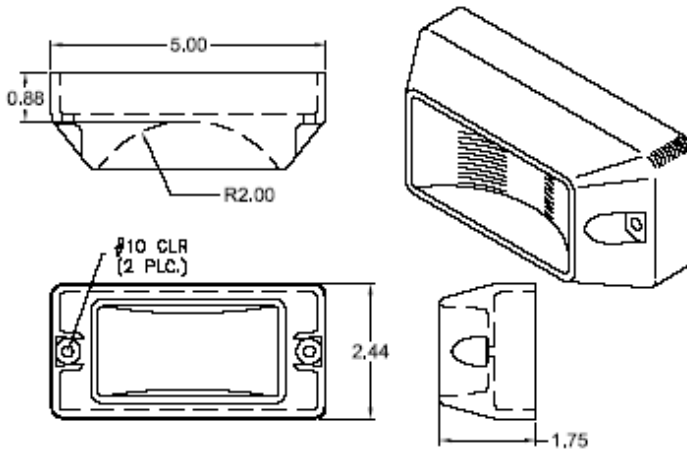


- 1) Finish: Polished exterior.
- 2) For 4" wheel casters

STC0005 Wheel Cup (squad bench mounted)



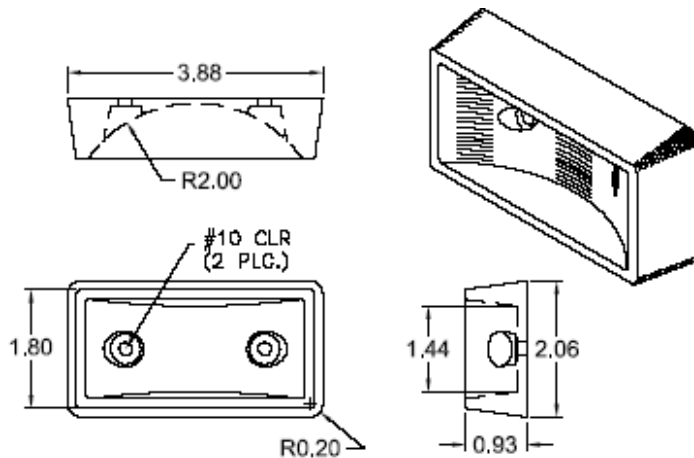
STC0006



STC0006 Elevated Wheel Cup (Squad Bench Mounted)

- 1) Finish: All exterior surfaces are polished.
- 2) Standard for stretcher with 4" diameter casters.
- 3) Provides additional stretcher height for thicker squad bench cushions.

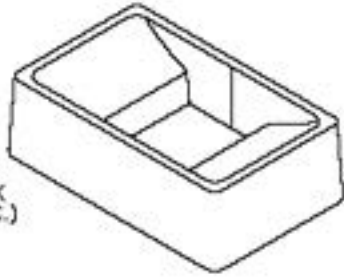
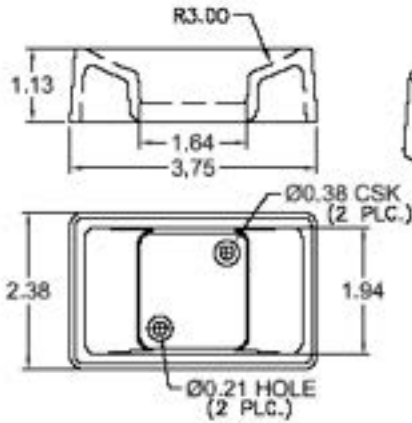
STC0008



STC0008 Recessed Wheel Cup (Squad Bench Mounted)

- 1) Finish: All exterior surfaces are polished.
- 2) Standard for stretcher with 4" diameter casters.

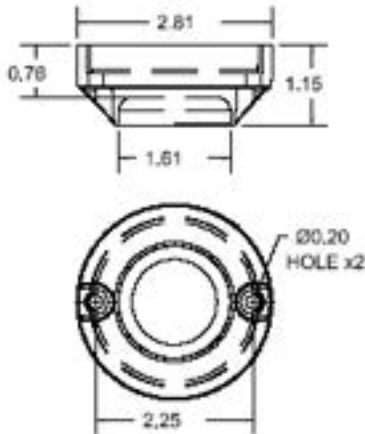
STC0014



STC0014 Single Post / Wheel Cup

1) Finish; All exterior surfaces are polished.

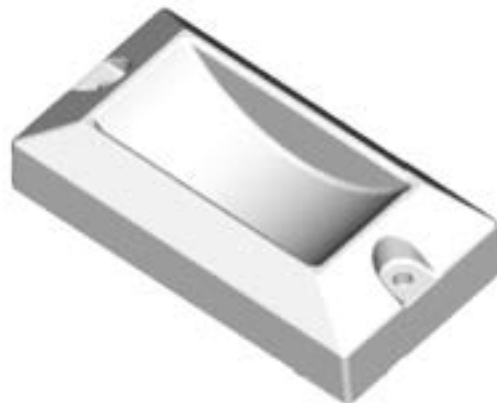
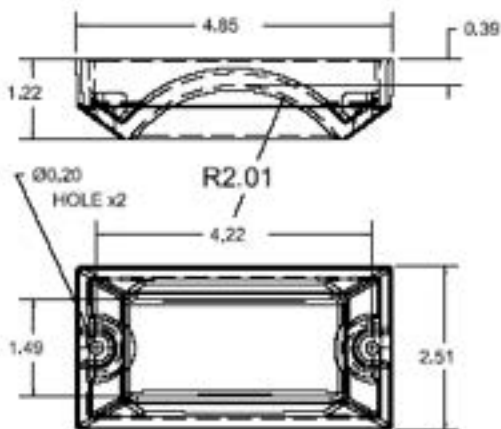
STC0017



STC0017 1.50" Dia Post Cup

1) Finish: All exterior surfaces are polished.

STC0019

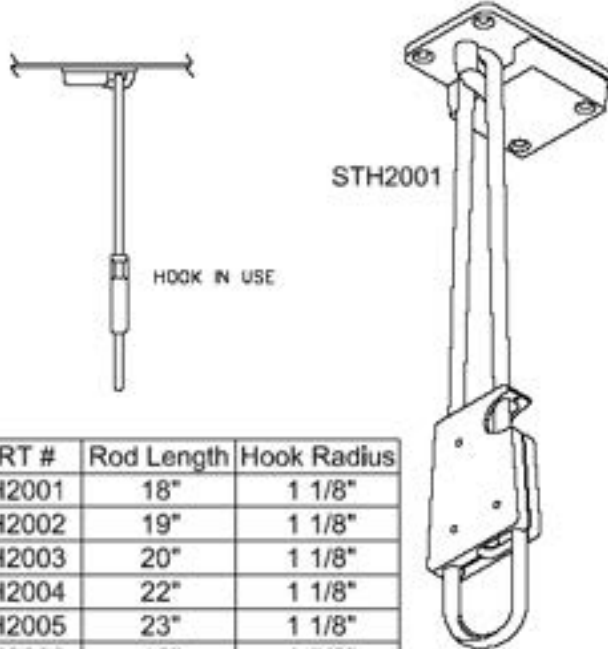


STC0019 R2" Wheel Cup

1) Finish; all exterior surfaces are polished.

Stretcher Hangers

STH2001 thru STH2009



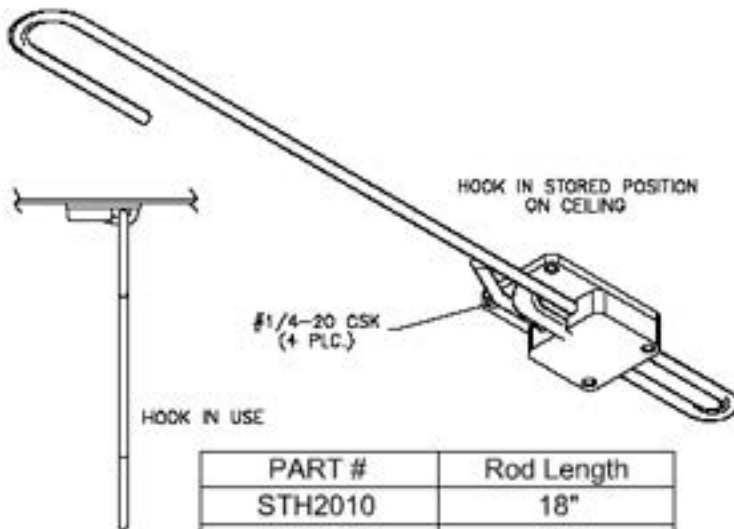
STH2001 - STH2009

Ceiling Stretcher Hanger with Positive Retention Latch

- 1) Finish; Designed with a positive retention latch for security when in use.
- 2) STH2001 - STH2005: 1 1/8" inside radius hook (Commercial). STH2006 - STH2009: 1 5/8" inside radius hook (GSA).

PART #	Rod Length	Hook Radius
STH2001	18"	1 1/8"
STH2002	19"	1 1/8"
STH2003	20"	1 1/8"
STH2004	22"	1 1/8"
STH2005	23"	1 1/8"
STH2006	16"	1 5/8"
STH2007	19"	1 5/8"
STH2008	20"	1 5/8"
STH2009	23"	1 5/8"

STH2010 thru STH2017



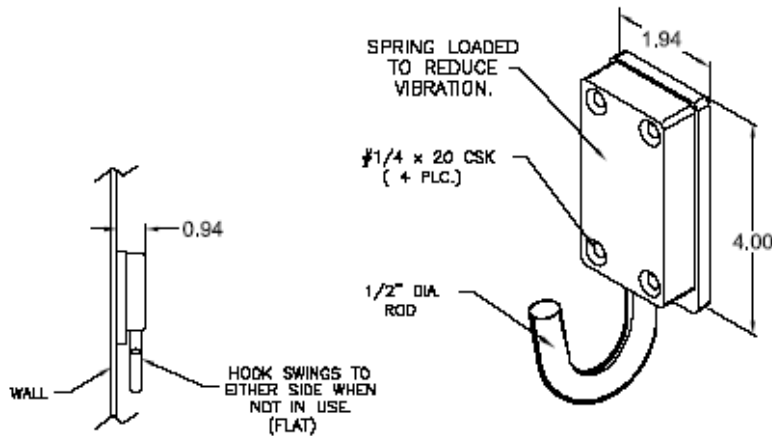
STH2010 - STH2017

Ceiling Stretcher Hanger

- 1) Hook is permanently attached to ceiling hanger to prevent misplacement or loss.
- 2) Rubber Inserts in storage slide minimize friction and vibration noise.
- 3) Hook made of 3/8" 6061-T6 aluminum rod.
- 4) Finish; all parts are polished.
- 5) Radiused edges and corners for safety.

PART #	Rod Length
STH2010	18"
STH2011	19"
STH2012	20"
STH2013	21"
STH2014	23"
STH2015	25"
STH2016	26"
STH2017	28"

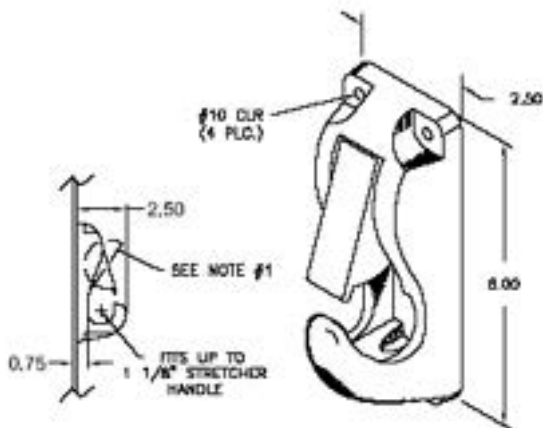
STH2018



STH2018 Stretcher Hook

- 1) Hook made of 3/8" 6061-T6 aluminum rod.
- 2) Finish: all parts are polished.
- 3) Swivel Hook to allow storage against the wall then not in use.

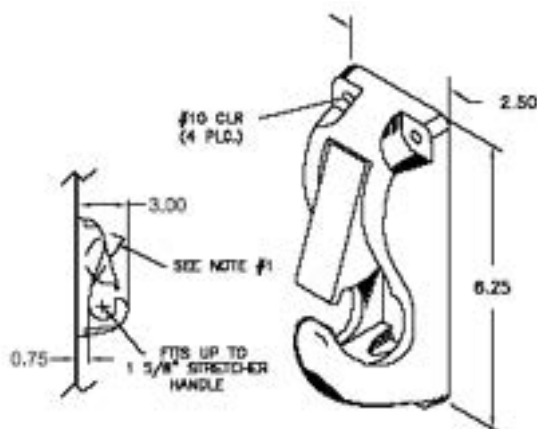
STH2019



STH2019 Positive Retention Wall Hook 1 1/8" ID (Commercial)

- 1) Finish: All parts are polished.
- 2) Provides positive retention hook and a latch to support stretcher, to keep stretcher from bumping out of hook.

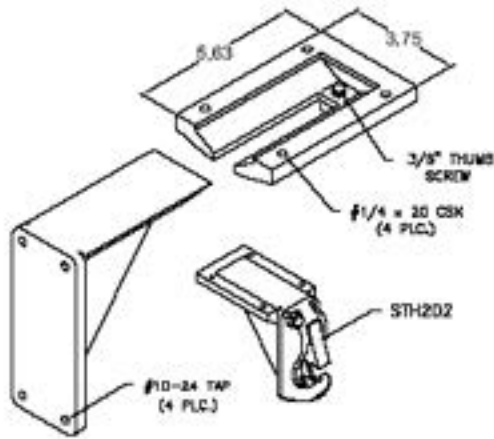
STH2020



STH2020 Positive Retention Wall Hook 1 5/8" ID (Commercial)

- 1) Finish: All parts are polished.
- 2) Provides positive retention hook and a latch to support stretcher, to keep stretcher from bumping out of hook.

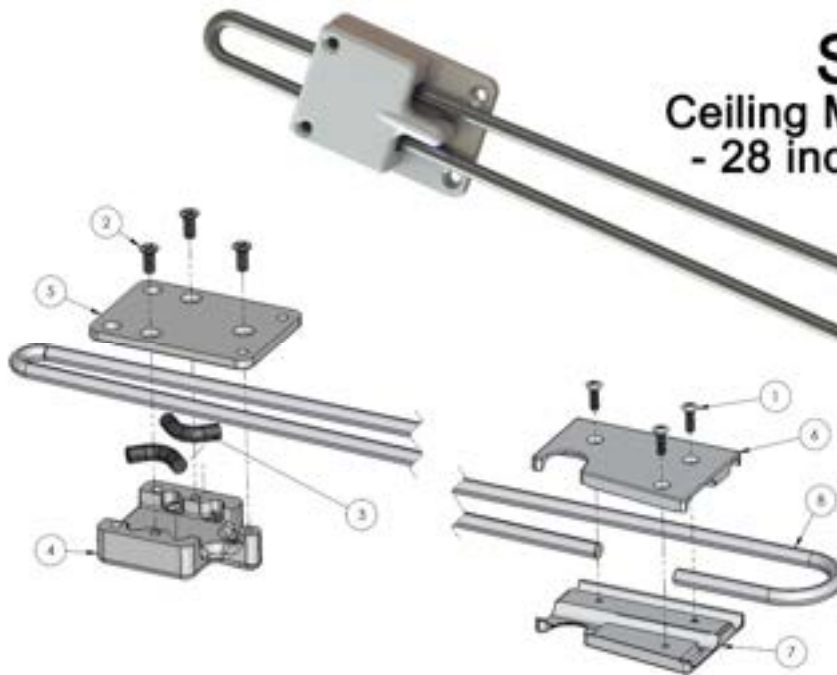
STH2021



STH2021 Removable Cabinet Bracket

- 1) Holds part STH2020 when in use.
- 2) Removable bracket for storage when not in use.
- 3) Finish: bead-blasted.

STH2022



STH2022-1 Ceiling Mount Stretcher Hanger - 28 inch (Positive Retention) 1 5/8" ID

- 1) Finish: polished.
- 2) Designed for secure retention when in use.
- 3) Hook is permanently attached for prevention against misplacement or loss.

STH2023

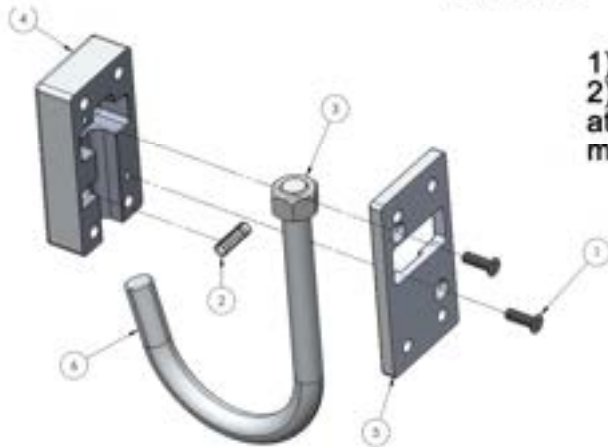
STH2023-1 24.0" Ceiling Mount Stretcher Hanger 1 1/8" ID



- 1) Finish: polished.
- 2) Hook is permanently attached for prevention against misplacement or loss.

STH2024

STH2024-1 R1.40" ID, Stretcher Hook - wall mount



- 1) Finish: polished.
- 2) Hook is permanently attached for prevention against misplacement or loss.



STH2025

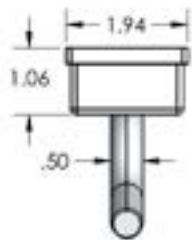


STH2025-1

19.0" Ceiling Mount Stretcher
Hanger 1 1/2" ID

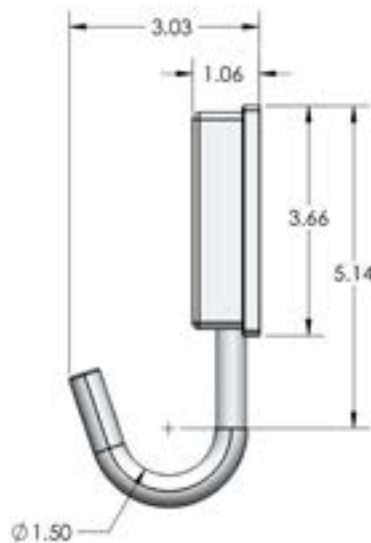
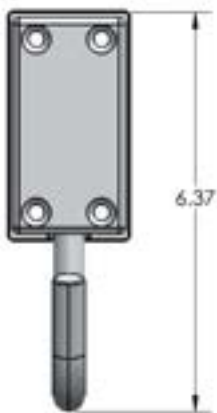
- 1) Finish: polished.
- 2) Hook is permanently attached for prevention against misplacement or loss.

STH2026



STH2026-1

1.50" ID, Stretcher Hook -
wall mount



1. Finish: AL Rod, Body and Backplate are polished.
2. Hook Swivels flat to wall in either direction.



STH2027

STH2027-1

Ceiling Mount Stretcher Hanger
- 27 inch (Positive Retention)
R 5/8" ID

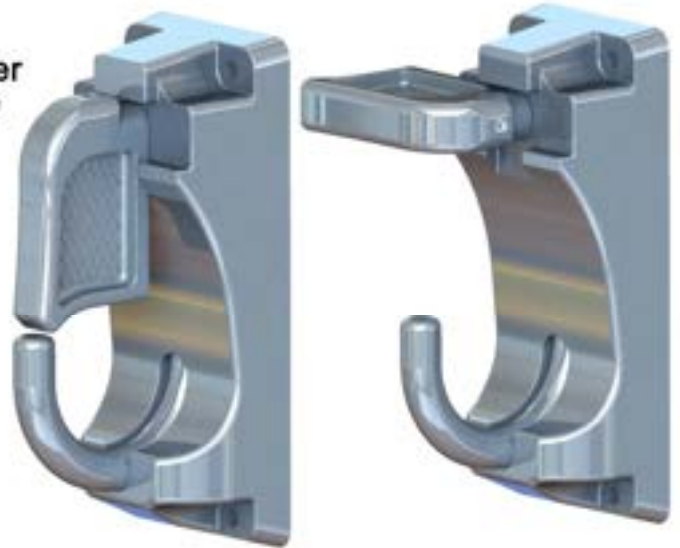
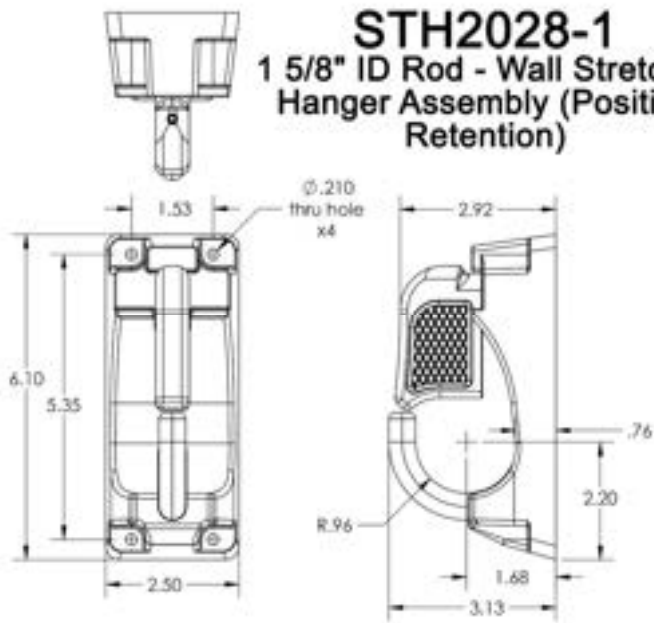


- 1) Finish: polished.
- 2) Designed for secure retention when in use.
- 3) Hook is permanently attached for prevention against misplacement or loss.

STH2028

STH2028-1

1 5/8" ID Rod - Wall Stretcher Hanger Assembly (Positive Retention)



- 1. Finish: ball-burnished with all exterior surfaces polished (except for mounting counterbores and Retainer mounting areas).

STH2029

STH2029-1 1 1/8" ID Rod - Wall Stretcher Hanger Assembly (Positive Retention)



1. Finish:
ball-burnished with all
exterior surfaces
polished (except for
mounting counterbores
and Retainer mounting
areas).

