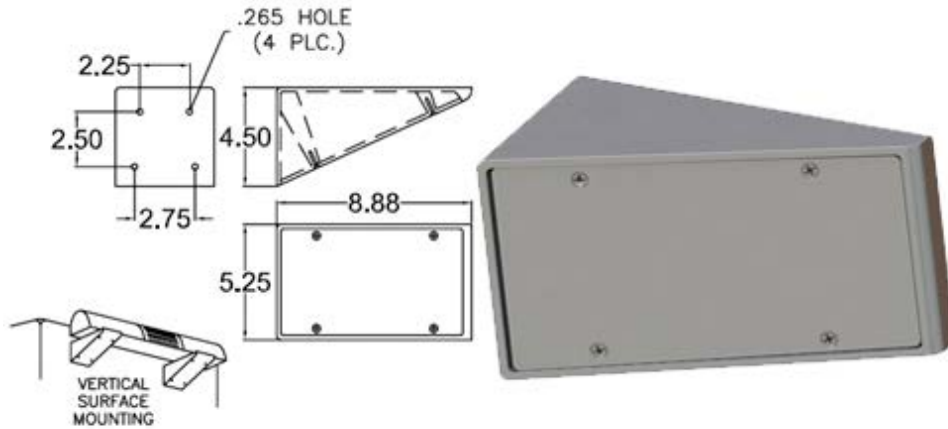


# Light Bar Brackets

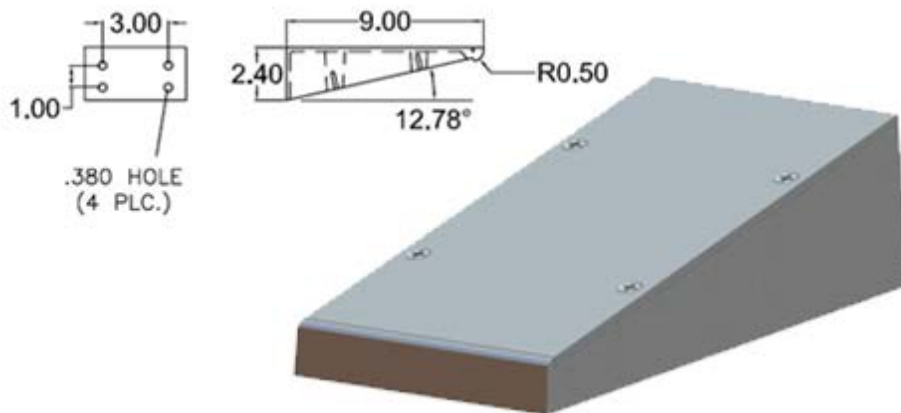
## LB0004



## LB0004 Light Bar Bracket

- 1) Finish: 120 grit ground for painting.
- 2) Shipped with cover installed.

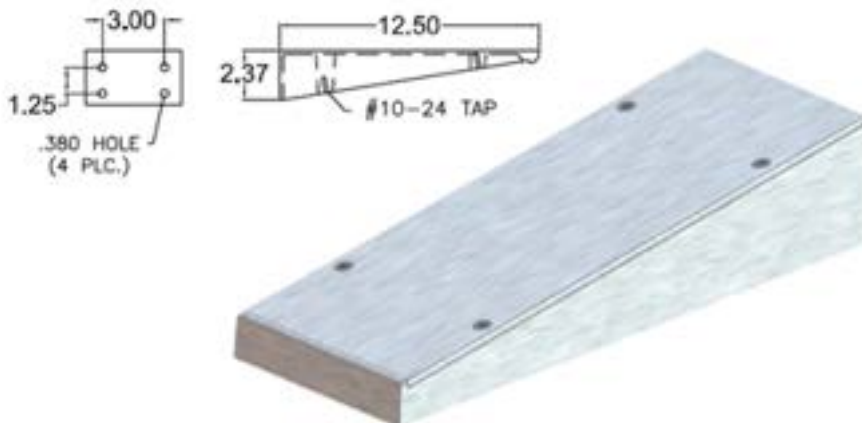
## LB0005



## LB0005 Light Bar Bracket

- 1) Finish: 120 grit ground for painting.
- 2) Shipped with cover installed.

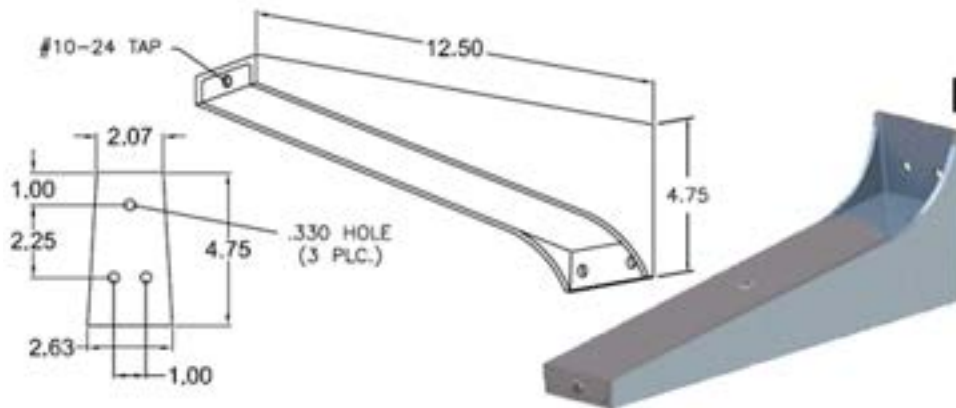
## LB0006



## LB0006 Light Bar Bracket

- 1) Finish: 120 grit ground for painting.
- 2) Shipped with cover installed.

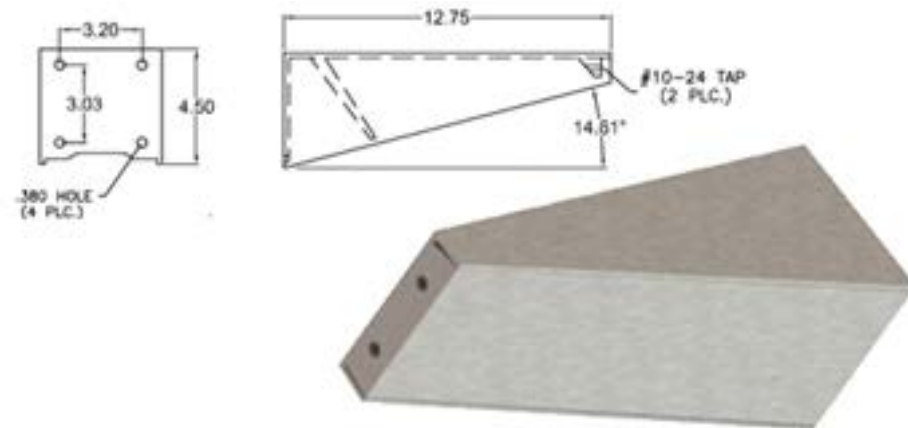
**LB0011**



## **LB0011 Light Bar Bracket**

- 1) Finish: 120 grit ground for painting.
- 2) Shipped with cover installed.

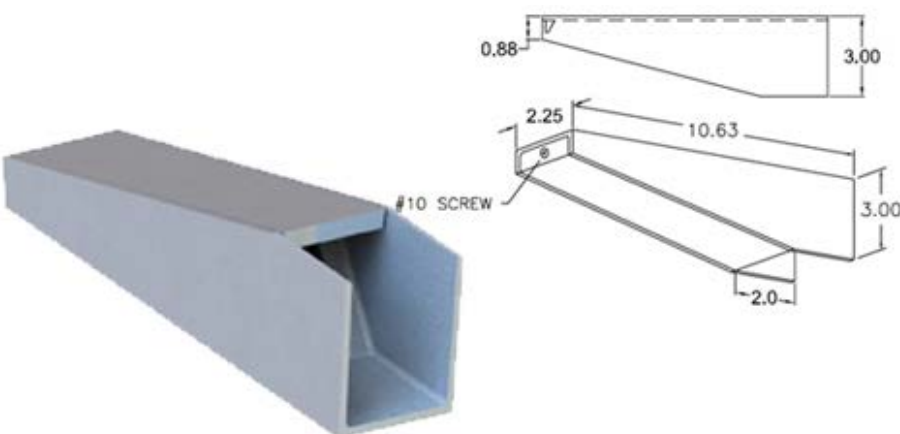
**LB0013**



## **LB0013 Light Bar Bracket**

- 1) Finish: 120 grit ground for painting.
- 2) Shipped with cover installed.

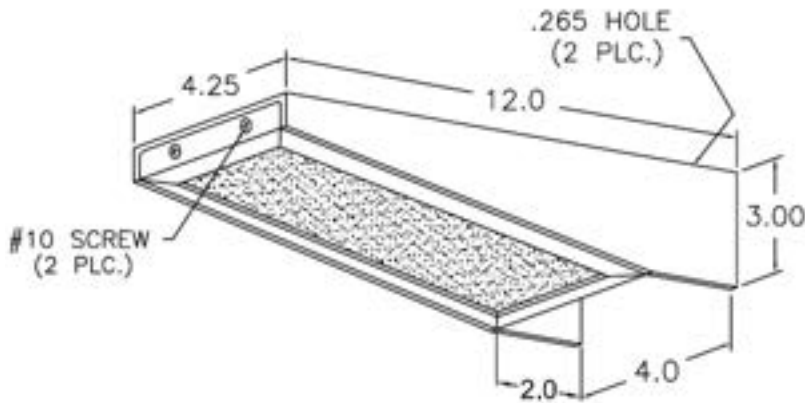
**LB0019**



## **LB0019 Stanchion Bracket 2" x 2" Post**

- 1) Finish: Polished or 120 grit ground for painting.
- 2) Mounts to a 2" x 2" post or stanchion.
- 3) Lid mounts with one #10 screw.

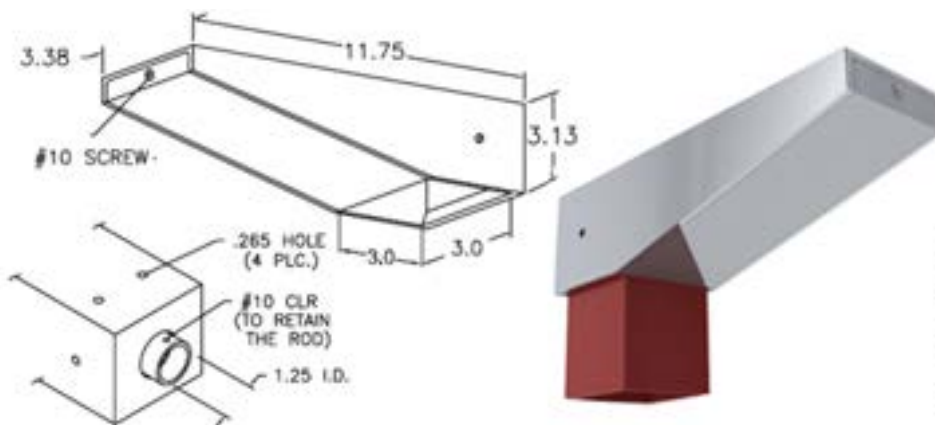
## LB0020



## LB0020 Stanchion Bracket 2" x 4" Post

- 1) Finish: Polished or 120 grit ground for painting.
- 2) Mounts to a 2" x 4" post or stanchion.
- 3) Lid mounts with two #10 screws.

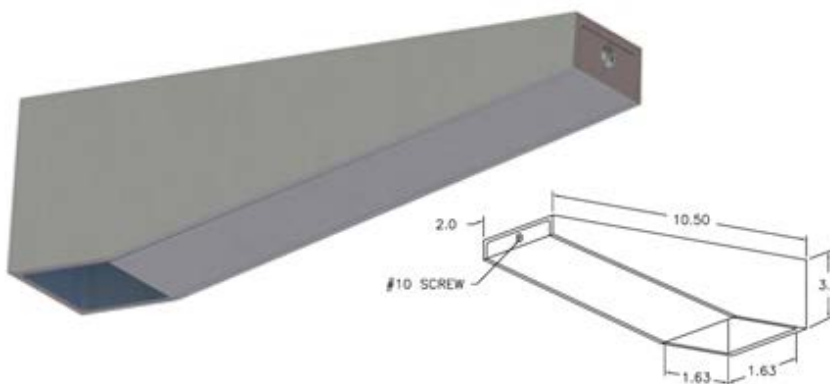
## LB0021



## LB0021 Stanchion Bracket with Rod Holder - 3" x 3" Post

- 1) Finish: Polished or 120 grit ground for painting.
- 2) Mounts to a 3" x 3" post or stanchion.
- 3) Lid mounts with one #10 screw.

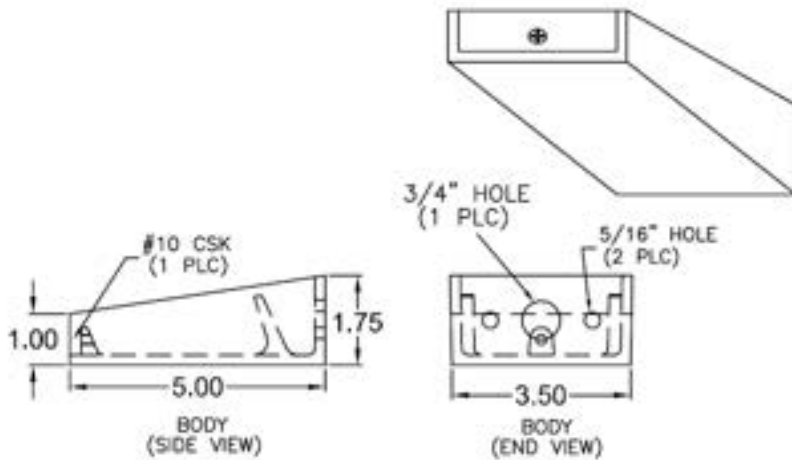
## LB0022



## LB0022 Stanchion Bracket 1 5/8" x 1 5/8" Post

- 1) Finish: Polished or 120 grit ground for painting.
- 2) Mounts to a 1 5/8" x 1 5/8" post or stanchion.
- 3) Lid mounts with one #10 screw.

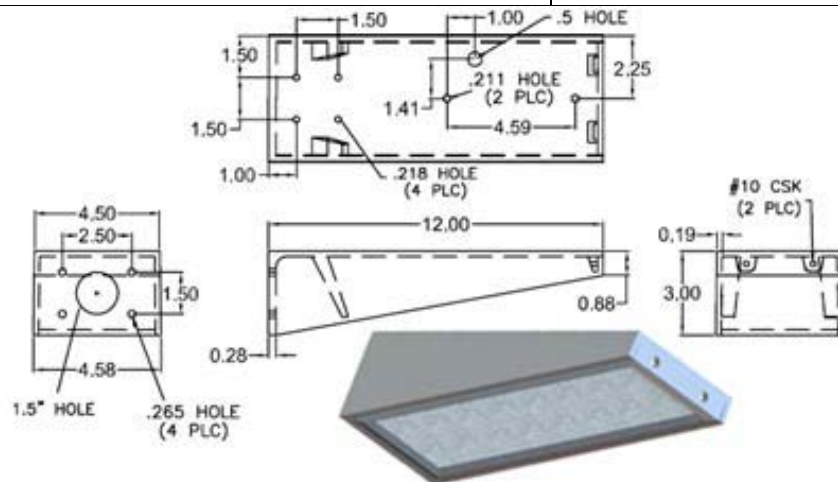
**LB0023**



## **LB0023 Stanchion Bracket**

- 1) Finish: Polished or 120 grit ground for painting.
- 2) Lid mounts with one #10 screw.

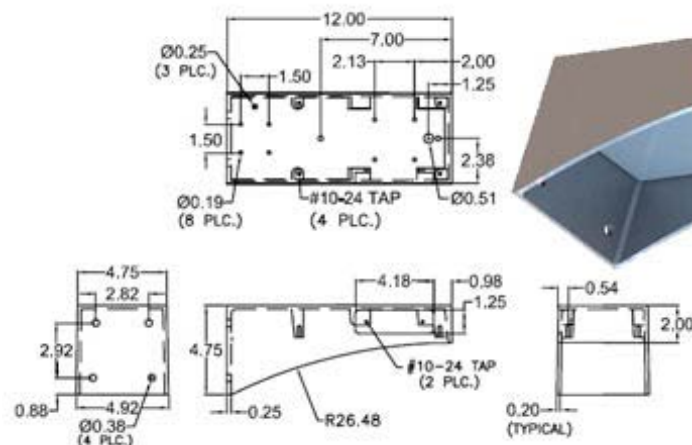
**LB0024**



## **LB0024 Stanchion Bracket**

- 1) Finish: Polished or 120 grit ground for painting.
- 2) Lid mounts with two #10 screws.

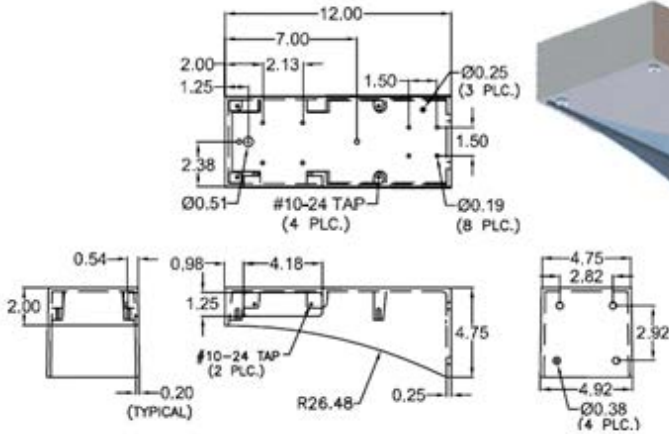
**LB0025-A**



## **LB0025-A Stanchion Bracket (Right Side)**

- 1) Finish: Polished or 120 grit ground for painting.
- 2) Lid mounts with four #10 screw.
- 3) Recesses a 1" x 4" Marker Light.

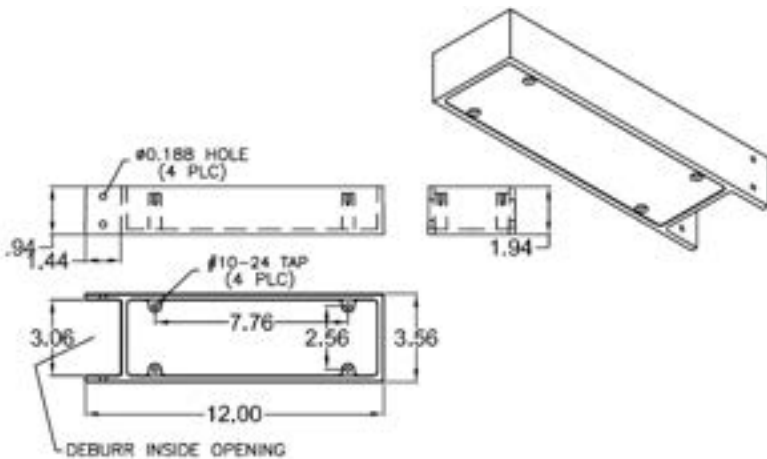
## LB0025-B



## LB0025-B Stanchion Bracket (Left Side)

- 1) Finish: Polished or 120 grit ground for painting.
- 2) Lid mounts with four #10 screws.
- 3) Recesses a 1" x 4" Marker Light

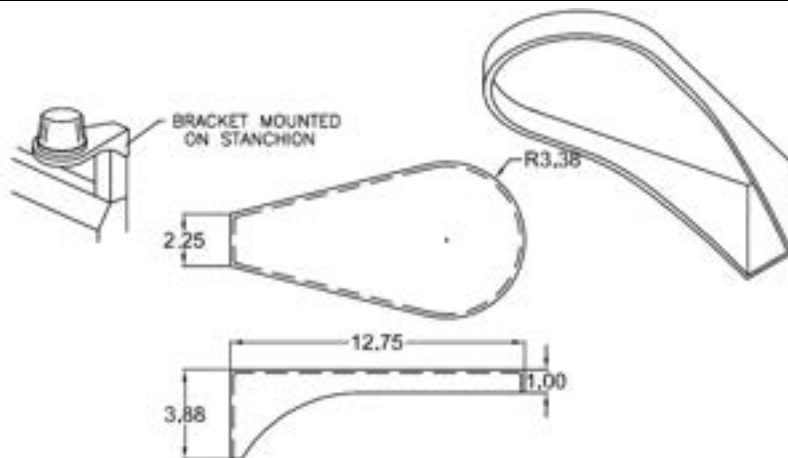
## LB0026



## LB0026 Stanchion Bracket

- 1) Finish: Polished or 120 grit ground for painting.
- 2) Lid mounts with four #10 screws.

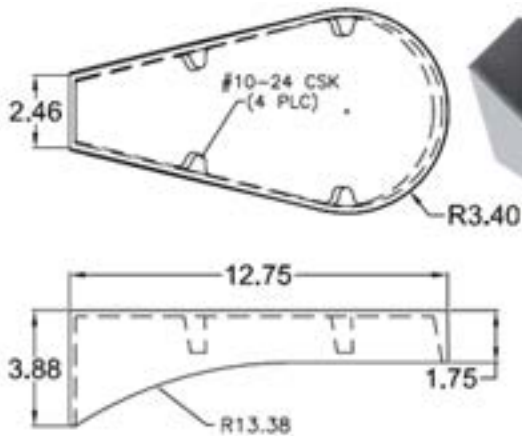
## LB0028



## LB0028 Stanchion Bracket 2" x 2" Post

- 1) Finish: Polished or 120 grit ground for painting.
- 2) Mounts to a 2" x 2" post or stanchion.

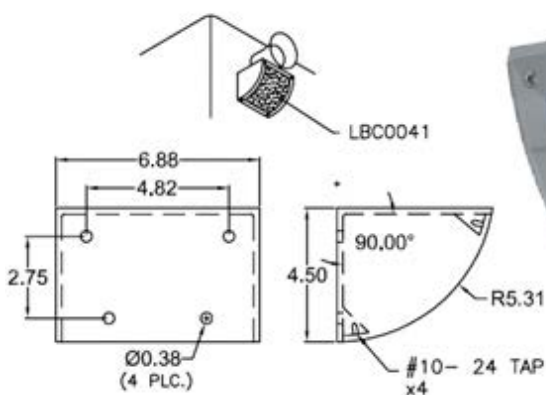
## LB0029



## LB0029 Stanchion Bracket 2" x 2" Post

- 1) Finish: Polished or 120 grit ground for painting.
- 2) Mounts to a 2" x 2" post or stanchion.
- 3) Lid mounts with four #10 screws.

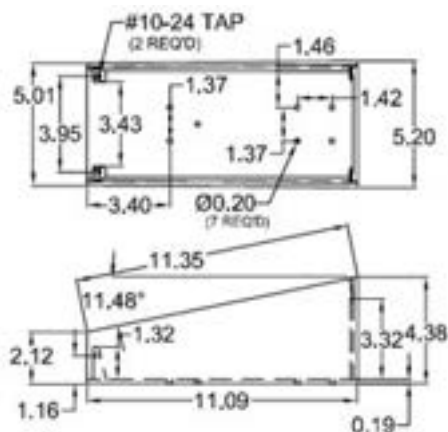
## LB0031



## LB0031 Enclosed Mounting Bracket

- 1) Finish: Polished or 120 grit ground for painting.
- 2) Designed to mount Air Horns, Lights, etc....

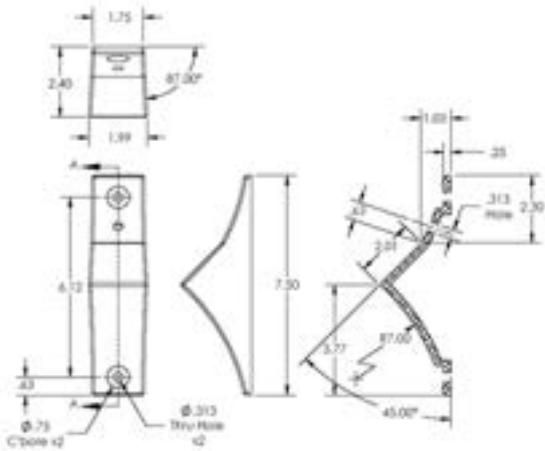
## LB0032



## LB0032 Stanchion Bracket 3/8" x 3 1/2" Post

- 1) Finish: Polished or 120 grit ground for painting.
- 2) Mounts to a 3/8" x 3 1/2" post or stanchion.
- 3) Lid mounts with two #10 screws.

## LB0033

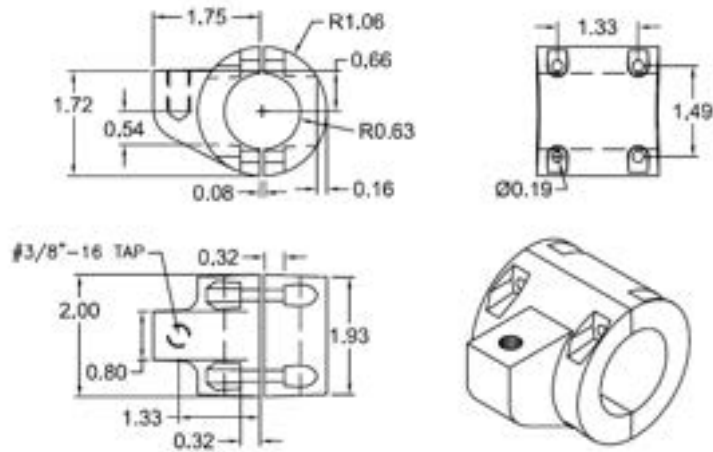


## LB0033 Stanchion Bracket

1) Finish: ball-burnished or polished exterior surfaces.



## LB0034

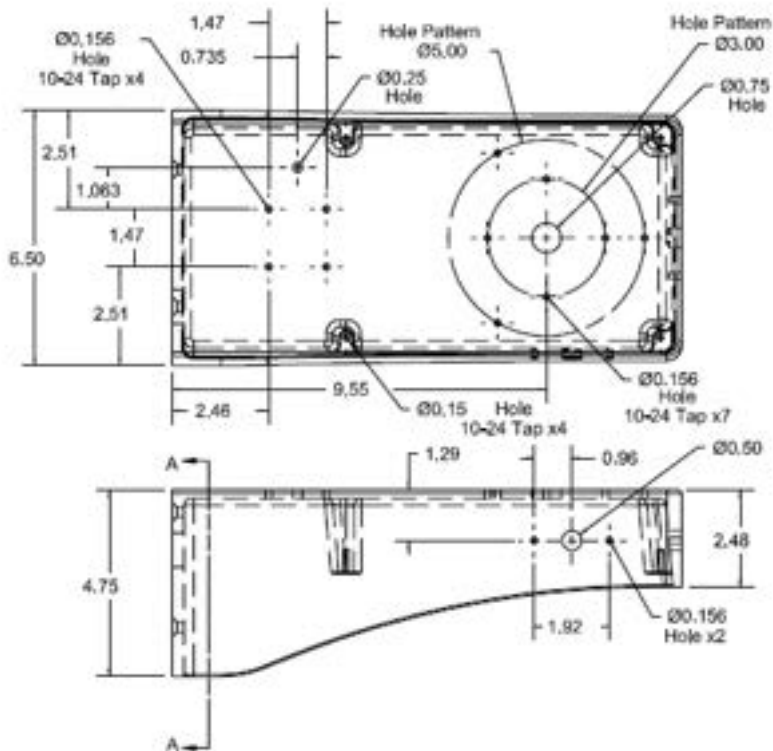


## LB0034 Mount Bracket - Light to Crashbar

1) Finish: Polished.



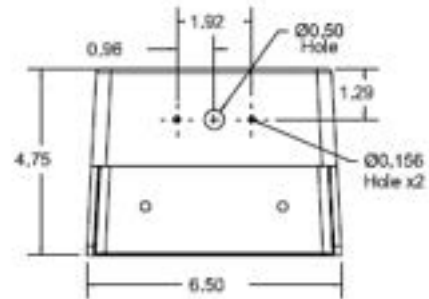
LB0041-A



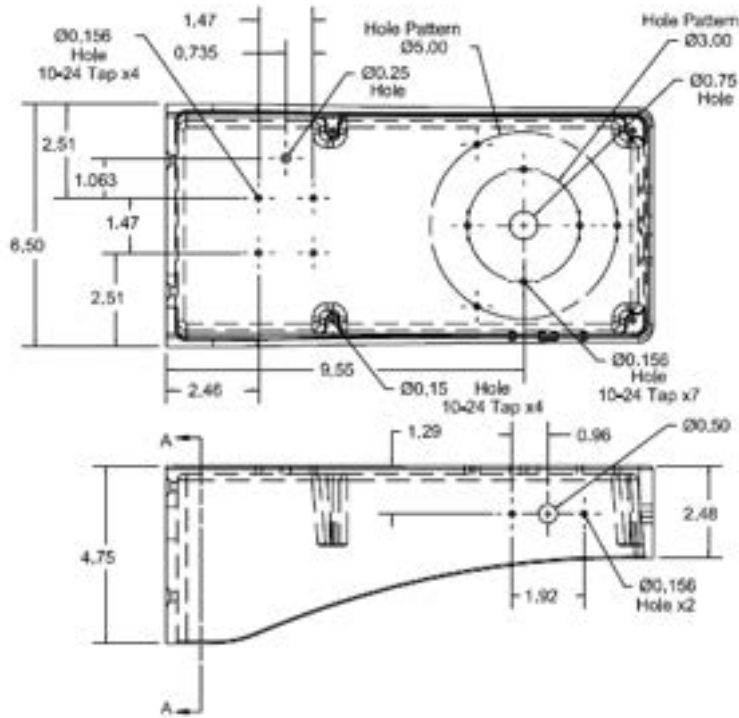
# LB0041-A

## Right Side - Stanchion Bracket and Lid

- 1) Finish: Bright Polished.
- 2) Shipped with lid installed.



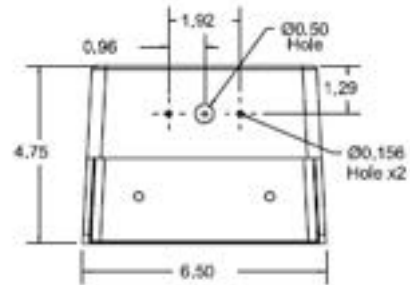
**LB0041-B**



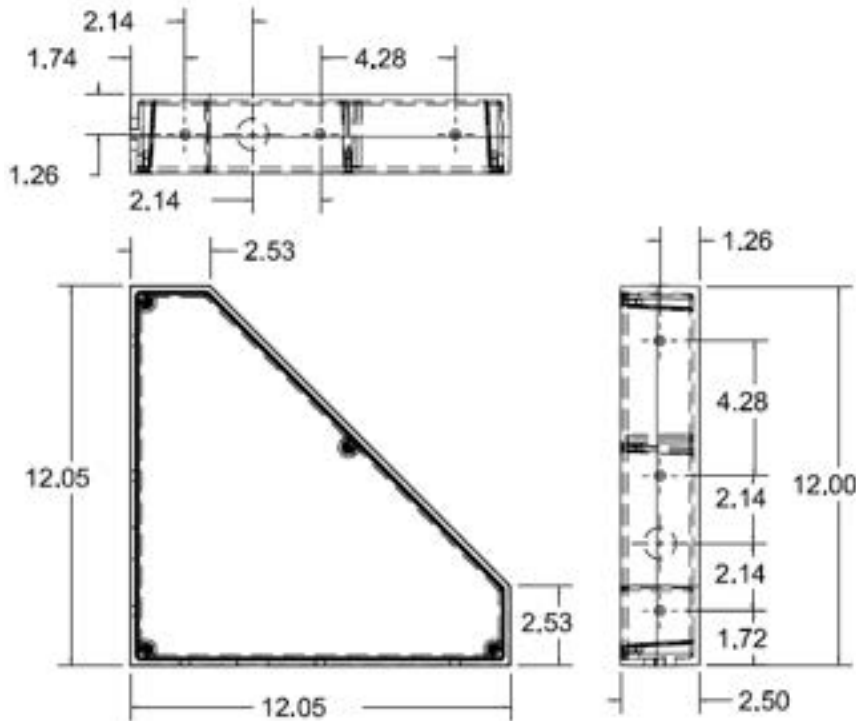
# **LB0041-B**

## **Left Side - Stanchion Bracket and Lid**

- 1) Finish: Bright Polished.
- 2) Shipped with lid Installed.



**LB0045**

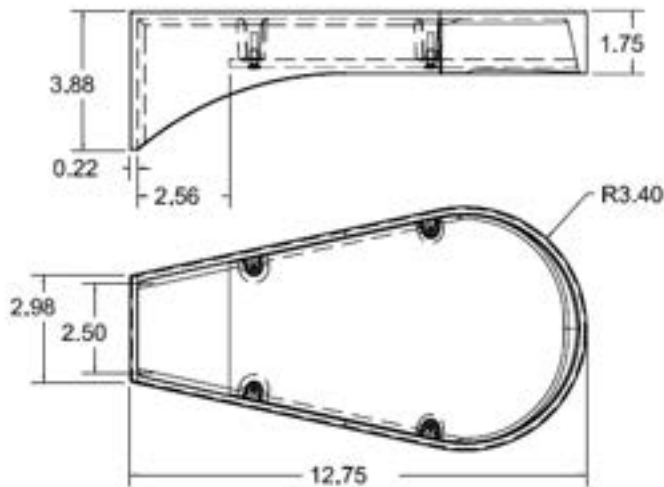


## **LB0045 Angled Light Box w/ Lid**

- 1) Finish: exterior band is polished. Lid and opposite side are 120 grit ground.
- 2) Shipped with lid installed.

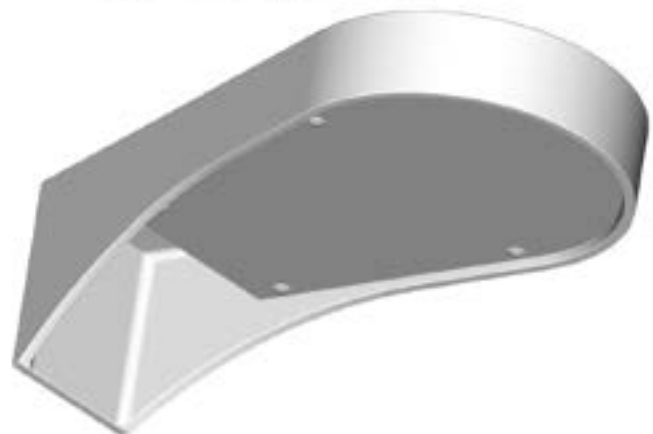


**LB0048**

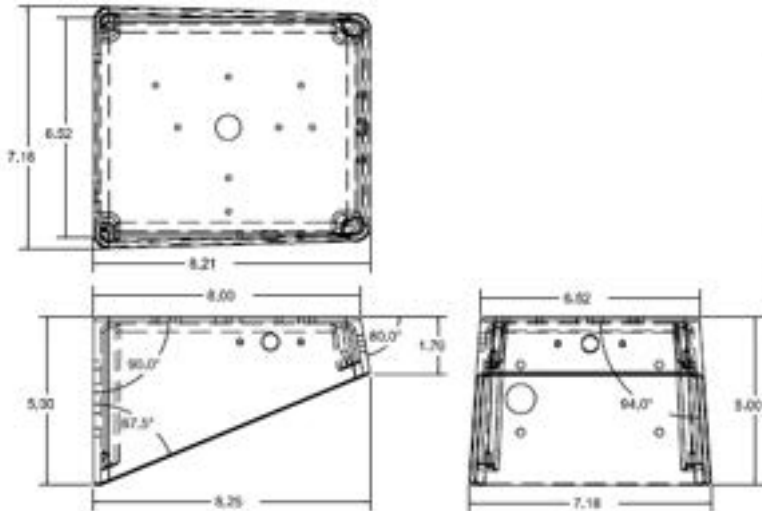


## **LB0048 Stanchion Bracket and Lid**

- 1) Finish: exterior band is polished. Top side is 120 grit ground. Lid is wheel-a-brated.
- 2) Shipped with lid installed.
- 3) For 2 1/2" square tubing.



**LB0049-A**

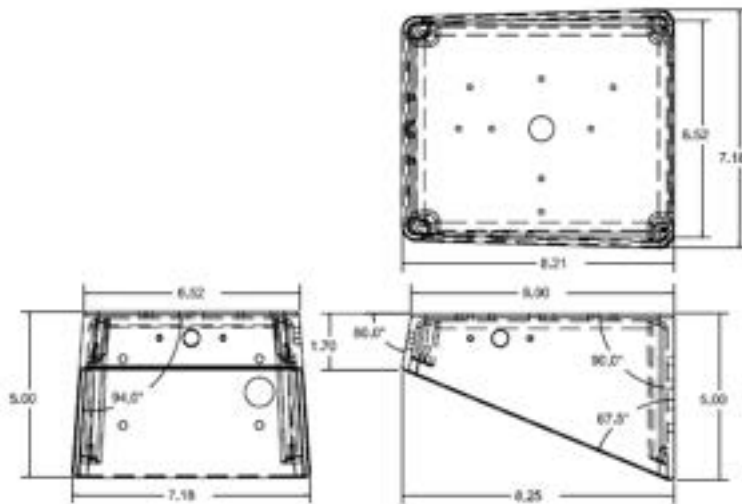


## **LB0049-A Lefthand Stanchion Bracket and Lid**

- 1) Finish: exterior band is polished. Top side is 120 grit ground. Lid is wheel-a-brated.
- 2) Shipped with lid installed.



**LB0049-B**

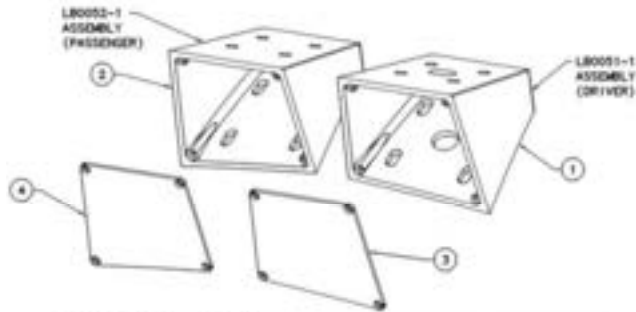


## **LB0049-B Righthand Stanchion Bracket and Lid**

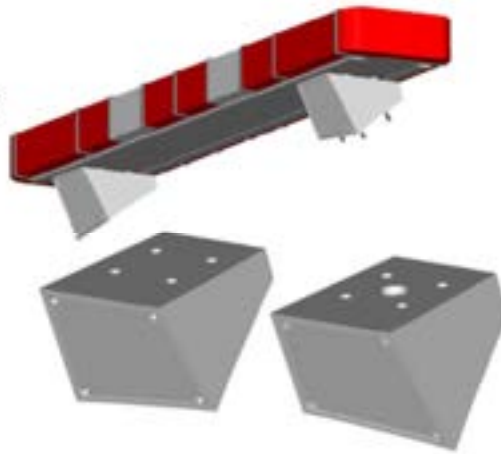
- 1) Finish: exterior band is polished. Top side is 120 grit ground. Lid is wheel-a-brated.
- 2) Shipped with lid installed.



## LB0051 LB0052



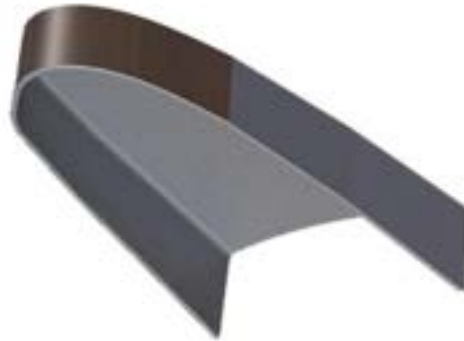
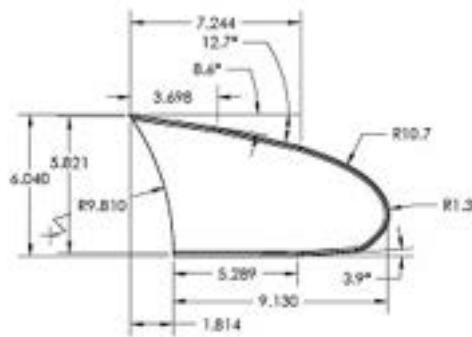
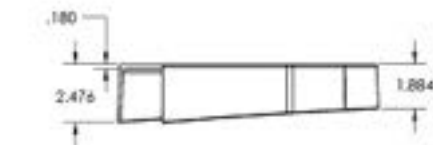
Item Qty	Part #	Name
1	1	LB00060-1 Driver - Leftband Stanchion Bracket Casting
2	1	LB00061-1 Passenger - Rightband Stanchion Bracket Casting
3	1	LB00062-1 Leftband Access Lid - Stamping
4	1	LB00062-1-A Rightband Access Lid - Stamping



### LB0051 and LB0052 Stanchion Brackets (Rt and Lft) for 2008 Sprinter

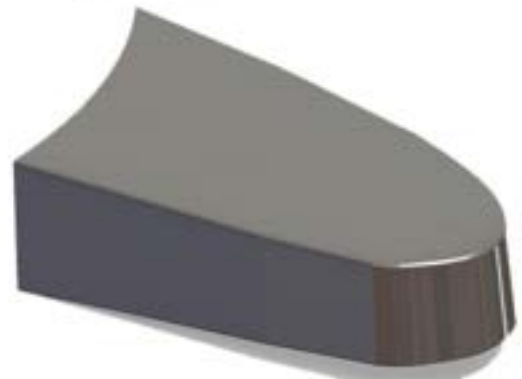
- 1) Finish: polished exterior with ground top surface
- 2) LB0051 Lefthand, LB0052 Righthand.

## LB0053 LB0054

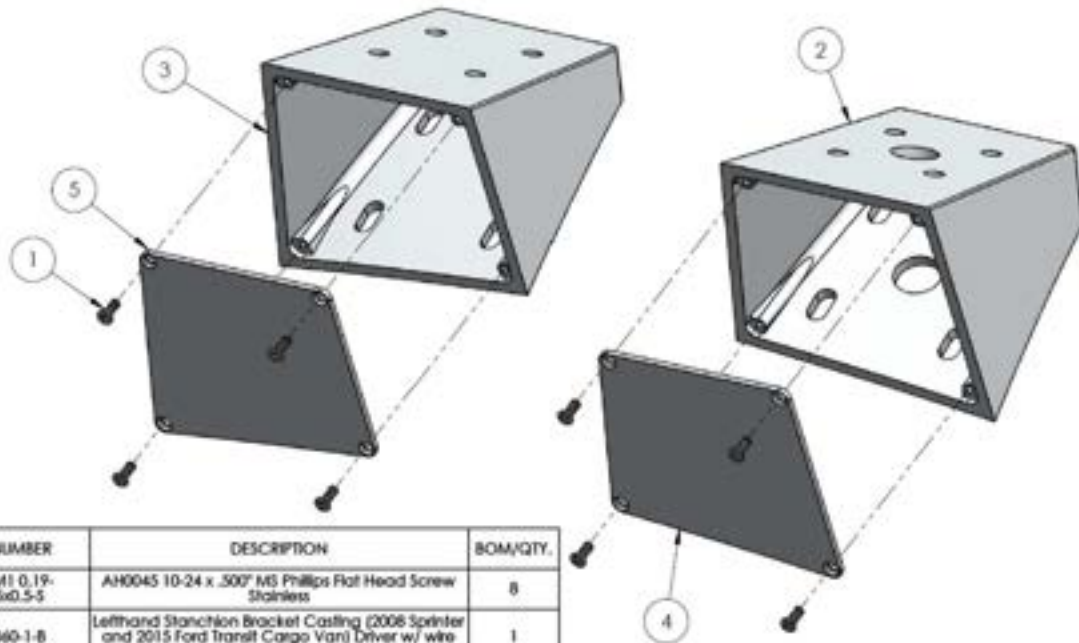


### LB0053 & LB0054 Mars Light - Stanchion Brackets (Rt & Lft)

- 1) Finish: Wheel-a-brated w/ exterior polished
- 2) LB0053-1 Lefthand shown
- 3) LB0054-1 Righthand is opposite



# LB0057 LB0058

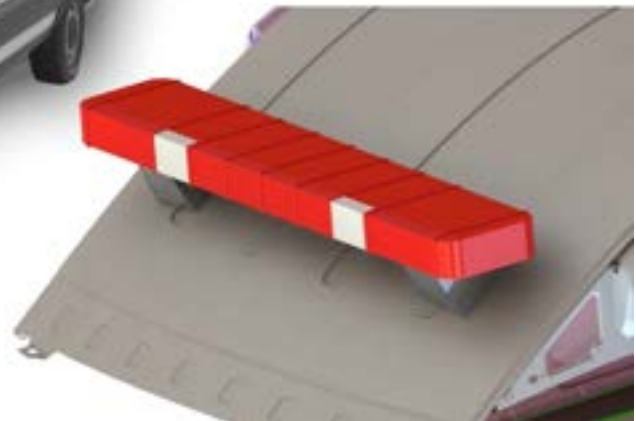


ITEM NO.	PART NUMBER	DESCRIPTION	BOM/QTY.
1	CR-FHM1 0.19-24x0.5x0.5-5	AH0045 10-24 x .500" MS Phillips Flat Head Screw Stainless	8
2	LBC0060-1-B	Left-hand Stanchion Bracket Casting (2008 Sprinter and 2015 Ford Transit Cargo Van) Driver w/ wire hole	1
3	LBC0061-1-B	Right-hand Stanchion Bracket Casting (2015 Ford Transit Cargo Van) Passenger	1
4	LBC0062-1	Left-hand Access Lid Stamping (2008 Sprinter or 2015 Ford Transit)	1
5	LBC0062-1-A	Right-hand Access Lid Stamping (2008 Sprinter or 2015 Ford Transit)	1

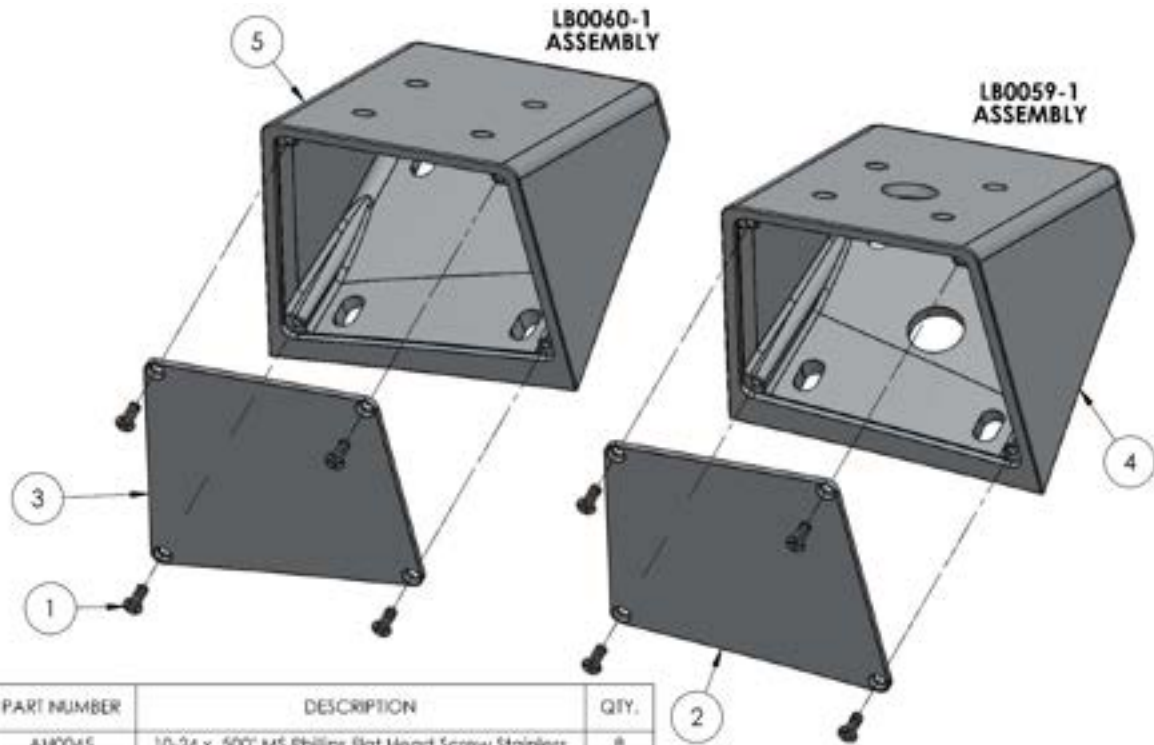
## LB0057 LB0058 Stanchion Bracket Assemblies with wire/mounting holes (2015 Ford Transit Cargo Van)



- 1) Finish: Exterior surfaces polished.
- 2) For high or medium roof.



# LB0059 LB0060



ITEM	PART NUMBER	DESCRIPTION	QTY.
1	AH0045	10-24 x .500" MS Phillips Flat Head Screw Stainless	8
2	LBC0062-1	Lefthand Access Lid Stamping	1
3	LBC0062-1-A	Righthand Access Lid Stamping	1
4	LBC0067-1	Lefthand Stanchion Bracket Casting w/ wire inlet hole [2015 Dodge ProMaster] Driver	1
5	LBC0068-1	Righthand Stanchion Bracket Casting [2015 Dodge ProMaster] Passenger	1

## LB0059-1 LB0060-1 2015 Dodge ProMaster Light Bar Brackets

- 1) Finish: exterior surfaces are polished.
- 2) -A version for No Top Holes.

