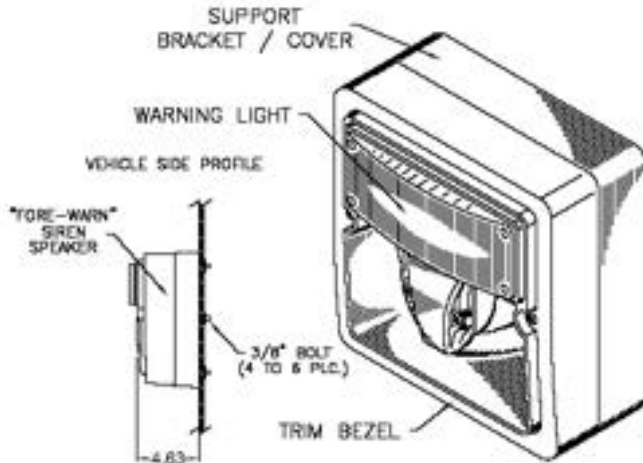


Siren Speakers

SA1000 Series

SA1502

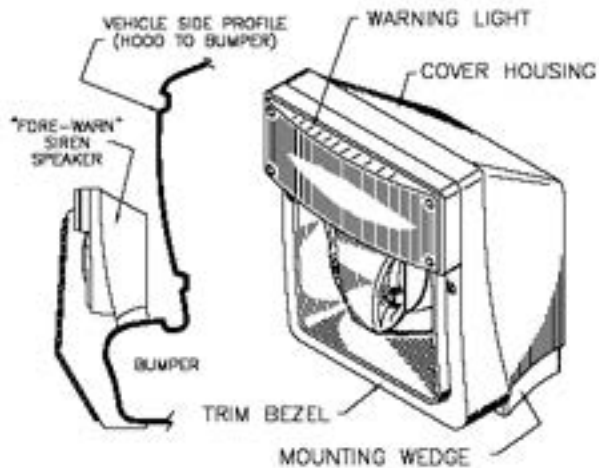


SA1502 Surface Mount Siren Speaker with Warning Light

- 1) Finish: Trim Bezel is polished. Cone and Horn are Wheel-a-brated.
- 2) Important: See specs for matching electrical components and requirements.
- 3) Designed to mount on a flat surface which prohibits cutting of the body (Installation procedure included).

SA2000 Series

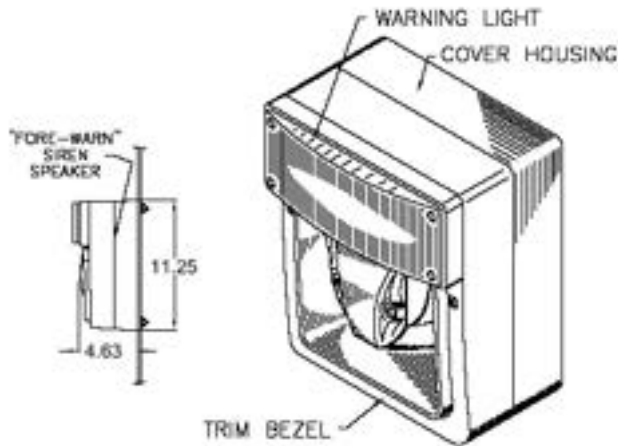
SA2201



SA2201 Bumper Mounted Siren Speaker with Warning Light

- 1) Finish: Trim Bezel is polished. Cone and Horn are Wheel-a-brated.
- 2) Important: See specs for matching electrical components and requirements.
- 3) Designed for use with a 3" x 7" Light on the '86-'87 Chevy C30 (Installation procedure included).

SA2301

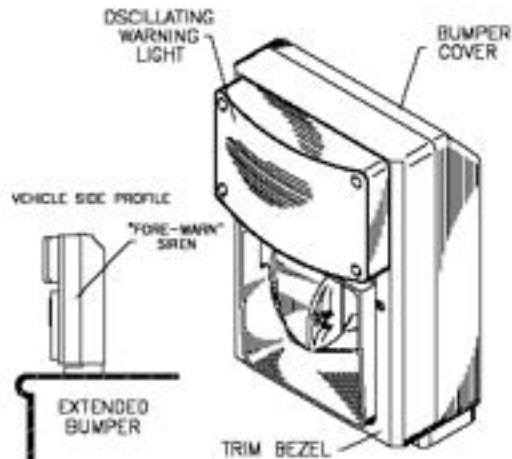


SA2301

Surface Mount Siren Speaker with Warning Light

- 1) Finish: Trim Bezel is polished. Cone and Horn are Wheel-a-brated.
- 2) Important: See specs for matching electrical components and requirements.
- 3) Designed to mount on a flat surface which prohibits cutting the body (Installation procedure included).

SA2208

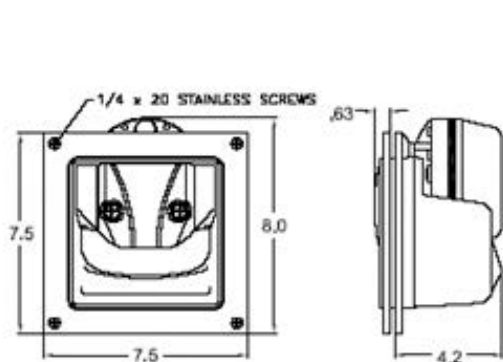


SA2208

Surface Mount Siren Speaker for Oscillating Lights

- 1) Finish: Trim Bezel is polished. Cone and Horn are Wheel-a-brated.
- 2) Important: See specs for matching electrical components and requirements.
- 3) SA2208 for use with **Code-3 Oscilaser** Lights. SA2209 for use with **Federal TCL** Lights (Installation procedure included).

SA2401

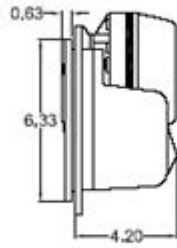
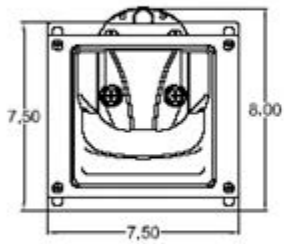


SA2401

Inside-the-Bumper Mount Siren Speaker

- 1) Finish: Trim Bezel is polished. Cone and Horn are Wheel-a-brated.
- 2) Important; See specs for matching electrical components and requirements.
- 3) For mounting inside the bumper used on the front of most firetrucks (Installation procedure included).

SA2403

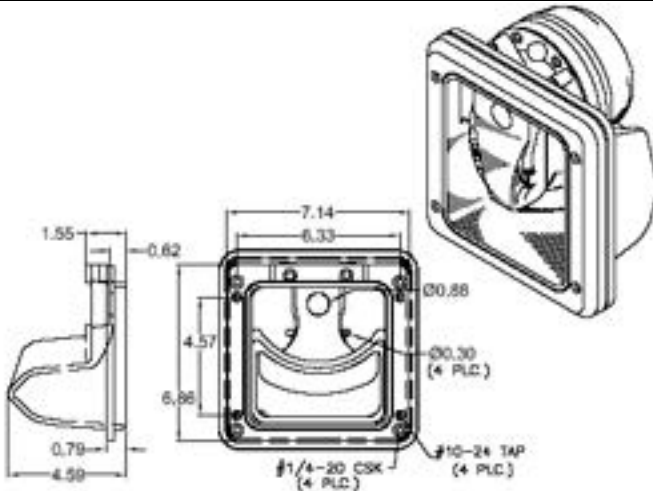


SA2403

Inside-the-Bumper Mount Siren Speaker (10" Tall Bumper)

- 1) Finish: Trim Bezel is polished. Cone and Horn are Wheel-a-brated.
- 2) Important: See specs for matching electrical components and requirements.
- 3) For mounting inside the 10" tall bumpers used on the front of some firetrucks (Installation procedure included).

SA2405

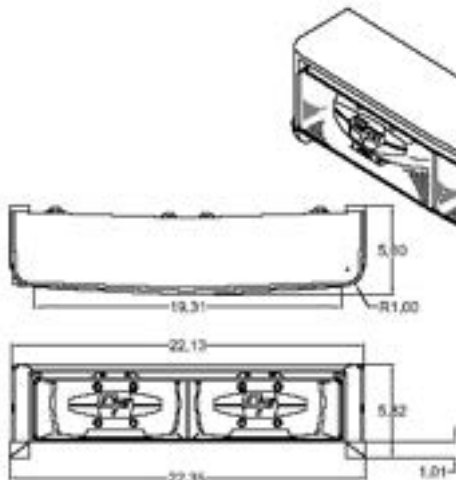


SA2405

Inside-the-Bumper Mount Siren Speaker (12" Tall Bumper)

- 1) Finish: Trim Bezel is polished. Cone and Horn are Wheel-a-brated.
- 2) Important: See specs for matching electrical components and requirements.
- 3) Designed as a "front load" mount in the bumper of some firetrucks (Installation procedure included).

SA3203



SA3203

Dual Siren Speaker (Bumper Mount)

- 1) Finish: Trim Bezel is polished. Cone and Horn are Wheel-a-brated.
- 2) Important: See specs for matching electrical components and requirements.
- 3) Designed to mount on the bumpers of most full size trucks and vans.

SA3000 Series

SA3501

BUMPER SIDE
PROFILE



SA3501

Inside-the-Bumper Mount Siren Speaker

- 1) Finish: Trim Bezel is polished. Cone and Horn are Wheel-a-brated.
- 2) Important: See specs for matching electrical components and requirements.
- 3) Mounts Inside the bumper used on the front of most firetrucks (Installation procedure included).

SA3502



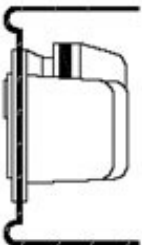
SA3502

Inside-the-Bumper Mount Siren Speaker

- 1) Finish: Trim Bezel is polished. Cone and Horn are Wheel-a-brated.
- 2) Important: See specs for matching electrical components and requirements.
- 3) Mounts inside the bumper used on the '92-03 Freightliner FL60 (Installation procedure included).

SA3503

BUMPER SIDE
PROFILE



SA3503

Inside-the-Bumper Siren Speaker

- 1) Finish: Trim Bezel is polished. Cone and Horn are Wheel-a-brated.
- 2) Important: See specs for matching electrical components and requirements.
- 3) For mounting Inside the bumper used on the front of most firetrucks (Installation procedure included).

SA3504



SA3504

Inside-the-Bumper Siren Speaker

- 1) Finish: Trim Bezel is polished. Cone and Horn are Wheel-a-brated.
- 2) Important; See specs for matching electrical components and requirements.
- 3) For mounting inside the bumper used on the '92-03 Freightliner FL60 (Installation procedure included).

SA3801

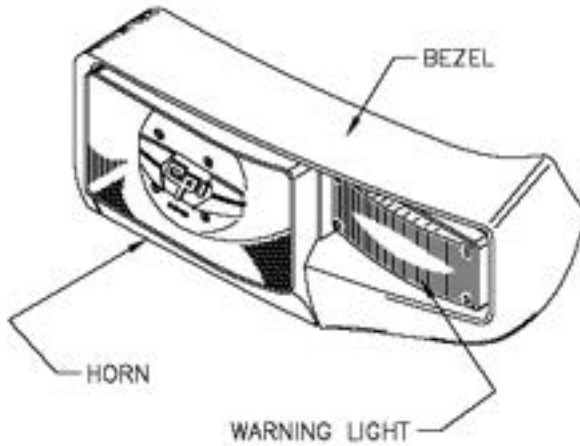


SA3801

TTB Mount Siren Speaker (SA3800 series) for Stan- dard 2" OD Logo Stickers

- 1) Finish: Exterior flange is polished. Siren speaker is ball-burnished.
- 2) For "through-the-bumper" mounting with 2" OD Logo Stickers.

SAD3201 SAP3201



SAD SAP3201
E350 Bumper Mount Siren
Speaker with 3" x 7"
Warning Lights

- 1) Finish: Wheel-a-brated on all surfaces or powder-coated white
- 2) Important: See specs for matching electrical components and requirements.
- 3) Mounts under the headlights on the 1997-02 Ford E350 Van

SAD3801 SAP3801



SAD SADP3801
TTB Siren Speaker
for 2008-09 Ford
E350 SD series



- 1) Finish: Exterior flange is polished. Siren speaker is ball-burnished.
- 2) For "through-the-bumper" mounting on 2008-09 Ford E350 SD series

SAD3802 SAP3802



SAD SADP3802
TTB Siren Speaker
for 2008-09 Ford
F350 SD series



- 1) Finish: Exterior flange is polished. Siren speaker is ball-burnished.
- 2) For "through-the-bumper" mounting on 2008-09 Ford F350 SD series

SAD3803 SAP3803



SAD SADP3803
TTB Siren Speaker for
2008-09 International
4300 MaxxForce DT



- 1) Finish: Exterior flange is polished. Siren speaker is ball-burnished.
- 2) For "through-the-bumper" mounting on 2008-09 International 4300 MaxxForce DT

SA3804

SA3804 TTB Siren Speaker 2007- 08 G3500 Van (for Dual Center Mount)



- 1) Finish: Exterior flange is polished. Siren speaker is ball-burnished.
- 2) For "through-the-bumper" mounting on 2008-09 International 4300 MaxxForce DT



SAD3805 SAP3805

SAD SAP3805 TTB Siren Speaker for 2004-09 Freightliner M2 - TTB Mount (SA3800 series)



- 1) Finish: Exterior flange is polished. Siren speaker is ball-burnished.
- 2) For "through-the-bumper" mounting on 2004-09 Freightliner M2.



SAD3806 SAP3806



SAD3806 SAP3806 TTB Siren Speaker for 2011 Ford F Series SD (SA3800 series)

- 1) Finish: Exterior flange is polished. Siren speaker is ball-burnished.
- 2) For "through-the-bumper" mounting on 2011 Ford F series SD.
- 3) No cutting templates required. Uses existing bumper openings.



SAD3807 SAP3807



SAD3807 SAP3807 TTB Siren Speaker for 2010 Dodge 3500 Truck (SA3800 series)

- 1) Finish: Exterior flange is polished. Siren speaker is ball-burnished.
- 2) For "through-the-bumper" mounting on 2010 Dodge 3500 Truck.
- 3) Cutting templates required.



SAD3808 SAP3808



- 1) Finish: Exterior flange is polished. Siren speaker is ball-burnished.
- 2) For "through-the-bumper" mounting on 2011 International TerraStar or WorkStar (no fog light openings).
- 3) Cutting templates required.

SAD3808 SAP3808 TTB Siren Speaker for 2011 International TerraStar and WorkStar Truck (SA3800 series)



SAD3809 SAP3809



- 1) Finish: Exterior flange is polished. Siren speaker is ball-burnished.
- 2) For "through-the-bumper" mounting on 2011 Chevy C3500 HD (only - No GMC).
- 3) Cutting templates required.

SAD3809 SAP3809 TTB Siren Speaker for 2011 Chevy C3500 HD (only) Truck (SA3800 series)



SAD3810 SAP3810



- 1) Finish: Exterior flange is polished. Siren speaker is ball-burnished.
- 2) For "through-the-bumper" mounting on 2011 Ford F750.
- 3) Cutting templates required.

SAD3810 SAP3810 TTB Siren Speaker for 2011 Ford F750 Truck (SA3800 series)



SAD3811 SAP3811

1. Finish: ball-burnished with flange exterior polished.
2. Through-the-bumper mount on the 2015 Chevy C3500 only (thru Foglight opening).
3. **SAP3811 Passenger** side shown. **SAP3811 Driver** side is opposite.
4. **CT0232 PD** template set to aid in marking the speaker cut-out.

SAD3811 SAP3811 Driver / Passenger - Siren Speaker for 2015 Chevy C3500 - TTB Mount (SA3800 series speaker)



SAD3813 SAP3813

**SAD3813-15TRN-1
SAP3813-15TRN-1**

TTB Siren Speaker for 2015 Ford Transit
Cargo - TTB Mount (SA3800 series speaker)



1. Finish: interior is ball-burnished with exterior flange and face polished.
2. TTB Siren Speaker for 2015 Ford Transit (SA3800 series speaker)

SAD3815 SAP3816

SAD3815 SAP3816-17FSD-1
TTB Siren Speaker for 2017 Ford F450 SD -
TTB Mount (SA3800 series speaker)



1. Finish: interior is ball-burnished with exterior flange and face polished.
2. TTB Siren Speaker for 2017 Ford F450 SD - TTB Mount (SA3800 series speaker)

SAD3819 SAP3820

SAD3819 SAP3820-19C45-1
TTB Siren Speaker for 2019 Chevy C4500 C5500
TTB Mount (SA3800 series speaker) with or
without Fog Light Openings



1. Finish: interior is ball-burnished with exterior flange and face polished.
2. TTB Siren Speaker for 2019 Chevy C4500 C5500 TTB Mount (SA3800 series speaker) with or without Fog Light Openings

SAD3821 SAP3822

SAD3821
SAP3822-19-RAM-3500-1
TTB Siren Speaker for 2019 Dodge Ram 3500,
4500, 5500 (SA3800 series speaker)



1. Finish: interior is ball-burnished with exterior flange and face polished.
2. TTB Siren Speaker for 2019 Dodge Ram 3500, 4500, 5500 (SA3800 series speaker)

SAD3823 SAP3824

SAD3823 SAP3824-19SPTR-1
TTB Siren Speaker for 2019 Sprinter with Front
DEF Tank
(SA3800 series speaker)



1. Finish: interior is ball-burnished with exterior flange and face polished.
2. TTB Siren Speaker for 2019 Sprinter with Front DEF Tank (SA3800 series speaker)

SAD3826 SAP3825

SAD3826 SAP3825-20TRANSIT-1
TTB Siren Speaker for 2020 Ford Transit Cargo -
Ferring TTB Mount (SA3800 series speaker)



1. Finish: interior is ball-burnished with exterior flange and face polished.
2. TTB Siren Speaker for 2020 Ford Transit Cargo - Ferring TTB Mount (SA3800 series speaker)

SAD3827 SAP3828

SAD3827 SAP3828-20FSD-1
TTB Siren Speaker for 2020 Ford F Series SD -
TTB Mount (SA3800 series speaker)



1. Finish: interior is ball-burnished with exterior flange and face polished.
2. TTB Siren Speaker for 2020 Ford F Series SD - TTB Mount (SA3800 series speaker)

SAD3829 SAP3830

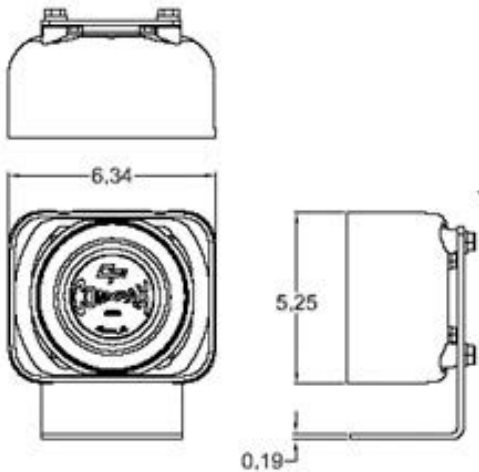
SAD3829 SAP3830-20C35-1
TTB Siren Speaker for 2020 Chevy C3500 - TTB
Mount (SA3800 Series Speaker)



1. Finish: interior is ball-burnished with exterior flange and face polished.
2. TTB Siren Speaker for 2020 Chevy C3500 - TTB Mount (SA3800 Series Speaker)

SA4000 Series

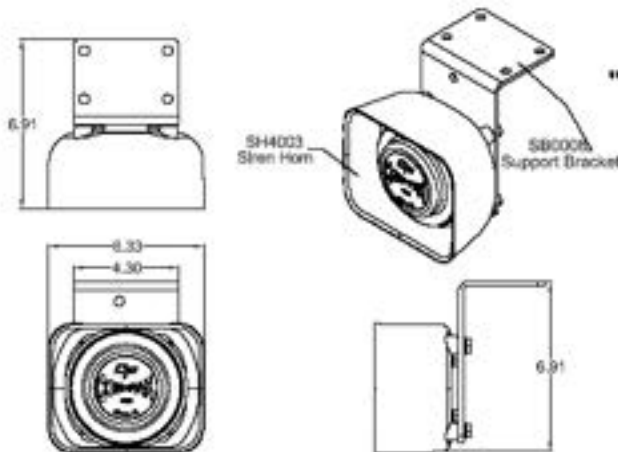
SA4201



SA4201 Compact Speaker with "L" Bracket

- 1) Finish: Cone and Horn are Ball-burnished. "L" bracket is Black Powder-Coated.
- 2) Important: See specs for matching electrical components and requirements.

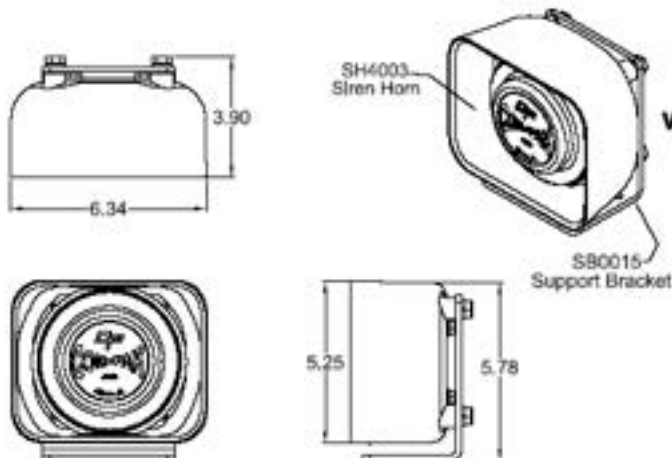
SA4204



SA4204 "Behind-the-Grille" Mount Compact Speaker

- 1) Finish: Cone and Horn are Ball-burnished. Bracket is Black Powder-Coated.
- 2) Important: See specs for matching electrical components and requirements.
- 3) Mounts behind the grille on the '98-'02 Ford Crown Victoria.

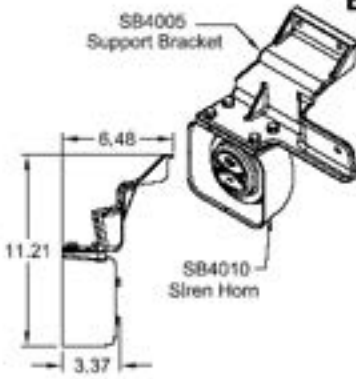
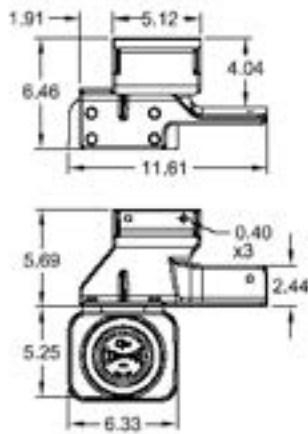
SA4206



SA4206 Compact Speaker with Shorter "L" Bracket

- 1) Finish: Cone, Horn and "L" Bracket are Black Powder-Coated.
- 2) Important: See specs for matching electrical components and requirements.

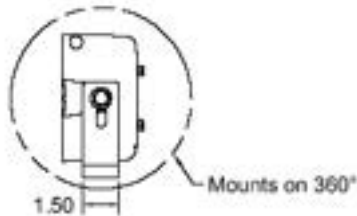
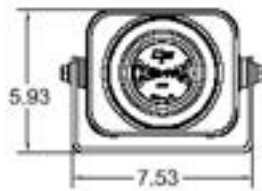
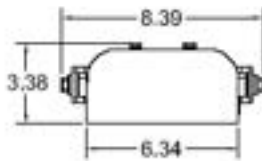
SA4208



SA4208 "Behind-the-Grille" Mount Compact Speaker

- 1) Finish: Cone and Horn are Ball-burnished. Brackets are Wheel-a-brated.
- 2) Important: See specs for matching electrical components and requirements.
- 3) Mounts behind the grille on the 2000-04 Chevy Tahoe and GMC Yukon.

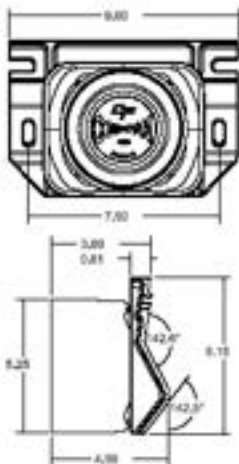
SA4209



SA4209 Compact Speaker w/ "U" Shaped Mounting Bracket

- 1) Finish: Cone and Horn are Ball-burnished. Bracket is Black Powder-Coated.
- 2) Important: See specs for matching electrical components and requirements.

SA4210



SA4210 Compact Speaker "Behind-the-Bumper" Mount, '94-2002 Chevy Camaro

- 1) Finish: Cone and Horn are Ball-burnished. Bracket is wheel-a-brated.
- 2) Important: See specs for matching electrical components and requirements.
- 3) "Behind-the-Bumper" Mount, '94-2002 Chevy Camaro

SA4225

SA4225
Compact Speaker, "BTG"
Mount, 2015 Dodge Charger,
"Behind-the-Grille mount"

1) Finish: black powder coated.



SA4226

SA4226
Compact Speaker, "BTG"
Mount, 2015 Chevy Tahoe,
"Behind-the-Grille mount"

1) Finish: black powder coated.

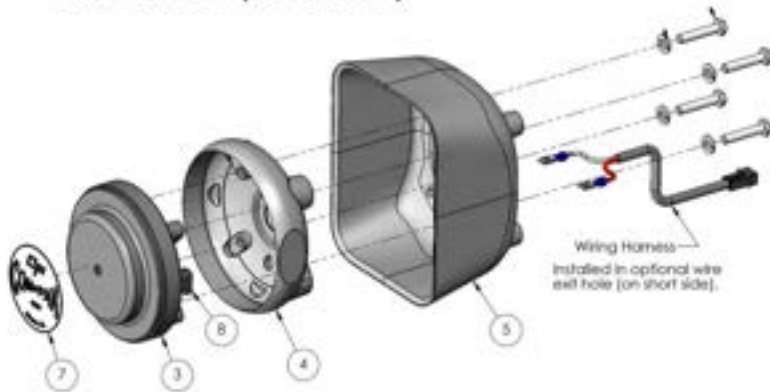


SA4227

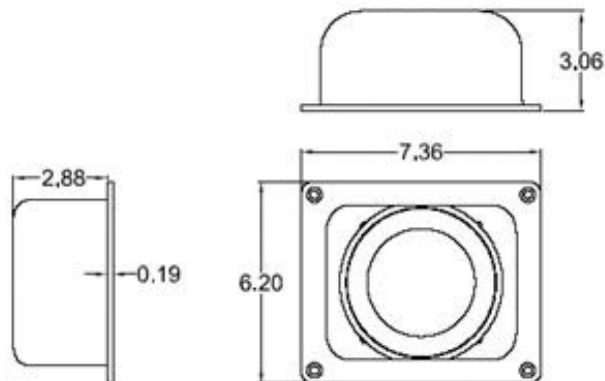
SA4227-6BHG-A

Compact Speaker, w/ Wire Connector and Harness
(No Bracket)

1. Finish: powder coated black high gloss.
2. Compact Speaker, w/ Wire Connector and Harness (No Bracket)



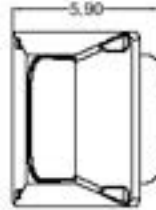
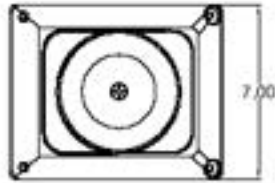
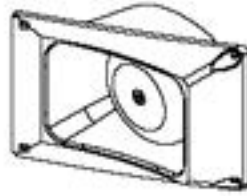
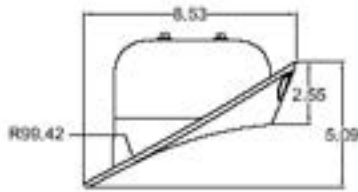
SA4301



SA4301 "Through-the-Bumper" Compact Speaker w/ Flat Mounting Flange

- 1) Finish: Cone is Ball-burnished. Housing is polished.
- 2) Important: See specs for matching electrical components and requirements.
- 3) Designed to mount through the bumper of most firetrucks.

SA4303

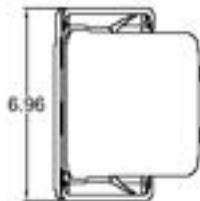
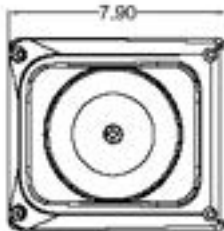
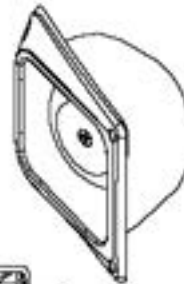
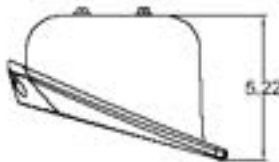


SA4303

"Through-the-Bumper" Compact Speaker

- 1) Finish: Cone and Housing are Ball-burnished.
- 2) Important: See specs for matching electrical components and requirements.
- 3) Designed to mount through the bumper of the '93-'99 Freightliner FL60.

SA4305

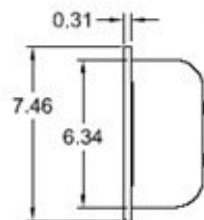
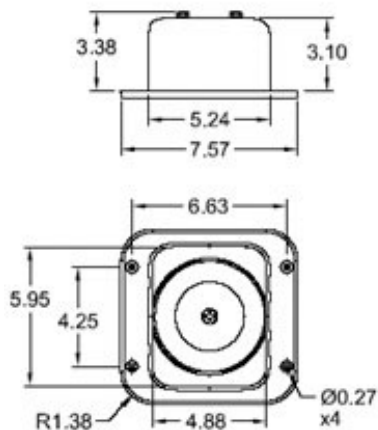


SA4305

"Through-the-Bumper" Compact Speaker

- 1) Finish: Cone is Ball-burnished, Housing is polished.
- 2) Important: See specs for matching electrical components and requirements.
- 3) Designed to mount through the bumper of the '99 Ford F650, F750.

SA4306

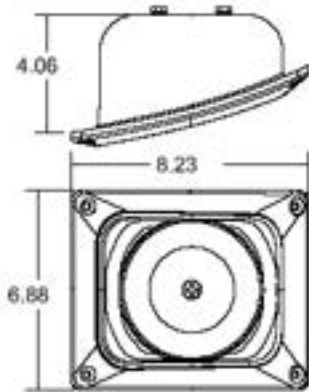


SA4306

"Through-the-Bumper" Compact Speaker

- 1) Finish: Cone is Ball-burnished, Housing is polished.
- 2) Important: See specs for matching electrical components and requirements.
- 3) Designed to mount through the bumper of the '99 Ford F650, F750.

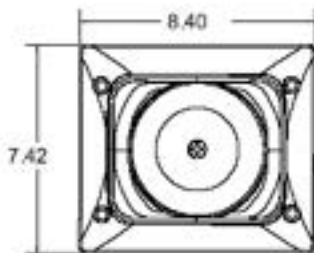
SA4310



SA4310 Compact Speaker, "Through-the-Bumper" Mount, 2003-05 International 7400

- 1) Finish: Cone is Ball-burnished. Housing is polished.
- 2) Important: See specs for matching electrical components and requirements.
- 3) Compact Speaker, "Through-the-Bumper" Mount, 2003-05 International 7400

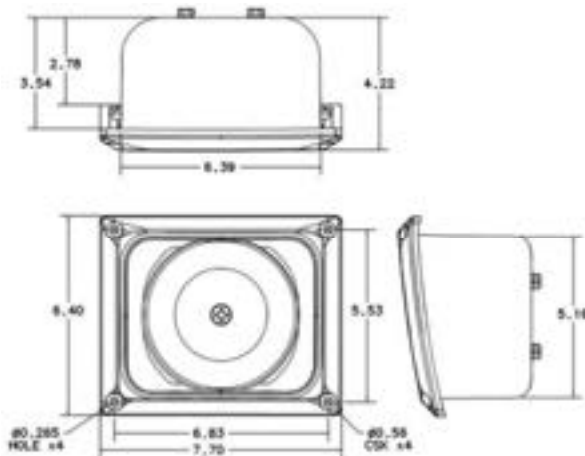
SA4311



SA4311 Compact Speaker, "Through-the-Bumper" Mount, 2003-05 M2 Freightliner

- 1) Finish: Cone is Ball-burnished. Housing is polished.
- 2) Important: See specs for matching electrical components and requirements.
- 3) Compact Speaker, "Through-the-Bumper" Mount, 2003-05 M2 Freightliner w/ pre-cut holes

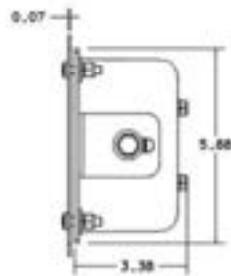
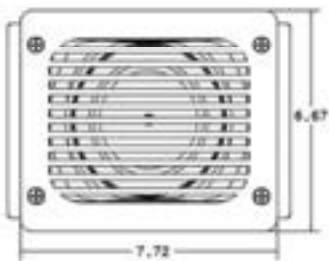
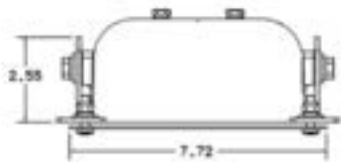
SA4316



SA4316 Compact Speaker, "Through-the-Bumper" Mount, 2007-08 G3500 Van (for Dual Center Mount)

- 1) Finish: Polished cone and exterior flange with interior ball-burnished.

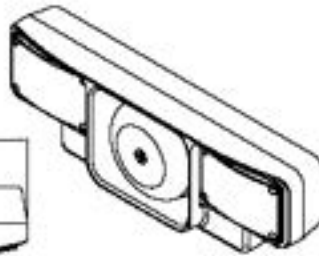
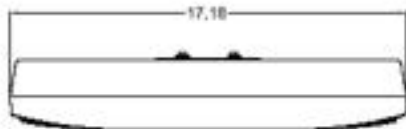
SA4317



SA4317 Compact Speaker, "Through-the-Bumper" Mount - Universal (Stamped Face Trim)

1) Finish: Stamped face trim is polished. Housing, cone and brackets are black powder-coated.

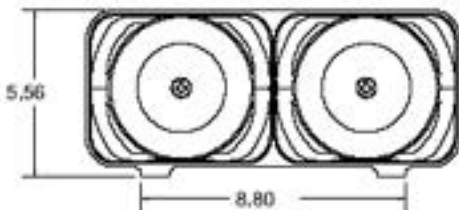
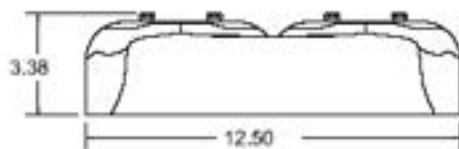
SA4401



SA4401 Bumper Mount Compact Speaker

1) Finish: Cone is Ball-burnished. Housing is polished.
2) Important: See specs for matching electrical components and requirements.
3) Bumper Mount design with 2 3" x 5" linear strobe lights.
4) Light Spacer available for older 3" x 4" lights.

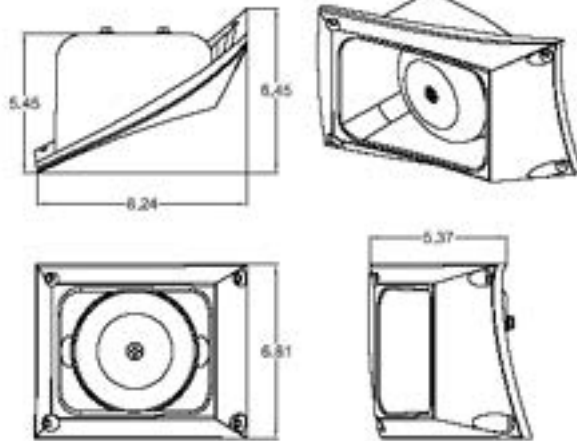
SA4402



SA4402 Double Compact Speaker, Bumper Mount

1) Finish: Ball-burnished.
2) Double Compact Speaker, Bumper Mount

SAD4302 SAP4302

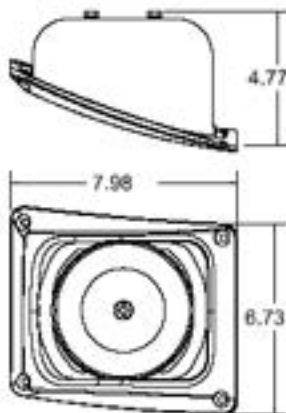


SAD SAP4302

**Through-the-Bumper Mount
Compact Speaker 99-05 Ford
F Series SD**

- 1) Finish: Ball-burnished with cone and flange polished.
- 2) Important: See specs for matching electrical components and requirements.
- 3) Designed to mount through the bumper on 1999-05 Ford F Series SD

SAD4307 SAP4307

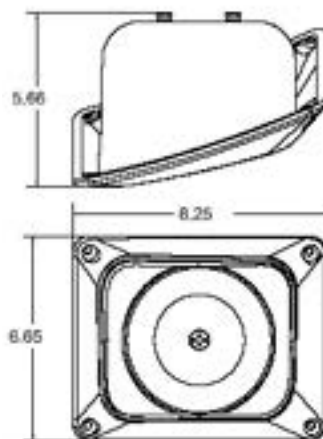


SAD SAP4307

**Compact Speaker, Driver,
"TTB" Mount, 2002-05
International 4300-4400**

- 1) Finish: Ball-burnished with cone and flange polished.
- 2) Important: See specs for matching electrical components and requirements.
- 3) Designed to mount through the bumper, 2002-05 International 4300-4400

SAD4308 SAP4308

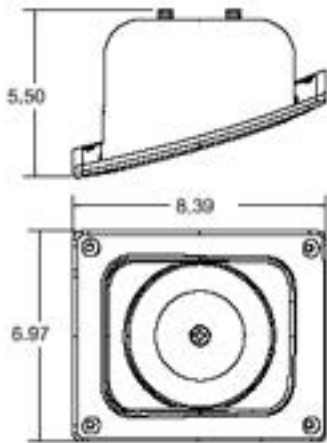


SAD SAP4308

**Compact Speaker, Driver,
"TTB" Mount, 2003-05
Chevy C4500**

- 1) Finish: Ball-burnished with cone and flange polished.
- 2) Important: See specs for matching electrical components and requirements.
- 3) Designed to mount through the bumper, 2003-05 Chevy C4500

SAD4309 SAP4309

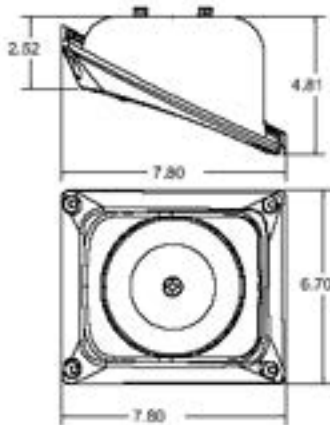


SAD SAP4309

**Compact Speaker, Driver,
"TTB" Mount, 2003-05 Ford
E550 SD Van**

- 1) Finish: Ball-burnished with cone and flange polished.
- 2) Important: See specs for matching electrical components and requirements.
- 3) Designed to mount through the bumper, 2003-05 Ford E550 SD Van

SAD4312 SAP4312

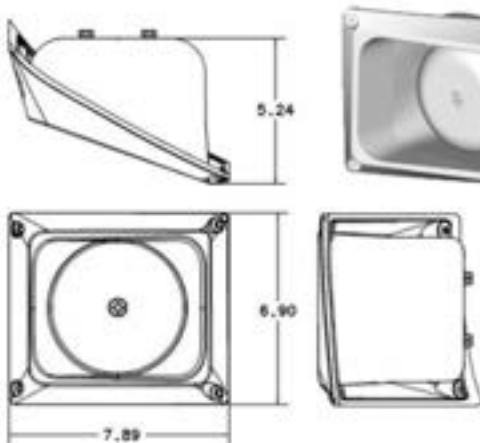


SAD SAP4312

**Compact Speaker, Driver,
"TTB" Mount, 2005 Ford
F350 SD**

- 1) Finish: Ball-burnished with cone and flange polished.
- 2) Important: See specs for matching electrical components and requirements.
- 3) Designed to mount through the bumper, 2005 Ford F350 SD

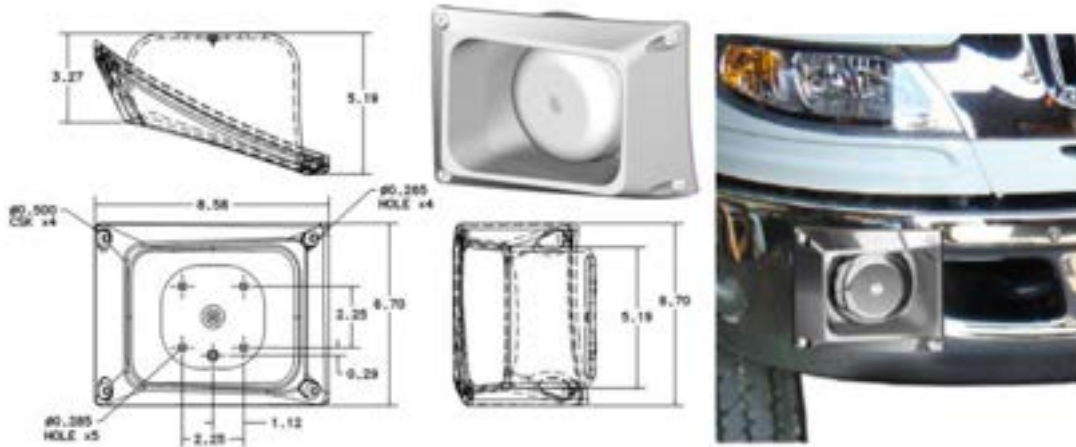
SAD4314 SAP4314



SAD SAP4314
**Compact Speaker,
"Through-the-Bumper"
Mount (2008 Ford F350 SD)**

- 1) Finish: Polished cone and polished exterior flange with interior ball-burnished.
- 2) SAD4314 Driver side
SAP4314 Passenger side.

SAD4318 SAP4318

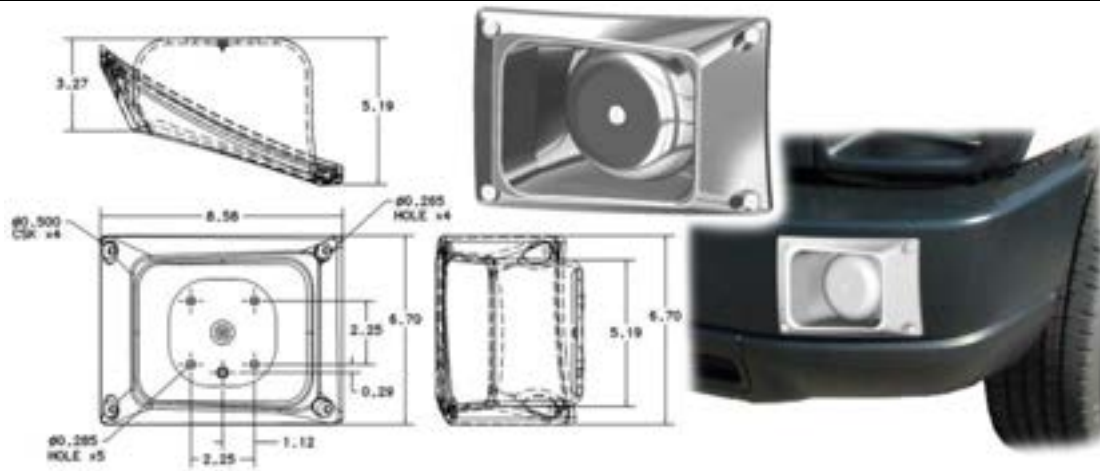


SAD SAP4318

Compact Speaker, (2008
International 4300 Maxx-
Force DT - TTB Mount)

- 1) Finish: Polished cone and polished exterior flange with interior ball-burnished.
- 2) SAD4318 Driver side
SAP4318 Passenger side.

SAD4319 SAP4319



SAD SAP4319

Compact Speaker, (2008
Ford E350 SD Van
Chassis - TTB Mount)

- 1) Finish: Polished cone and polished exterior flange with interior ball-burnished.
- 2) SAD4319 Driver side
SAP4319 Passenger side.

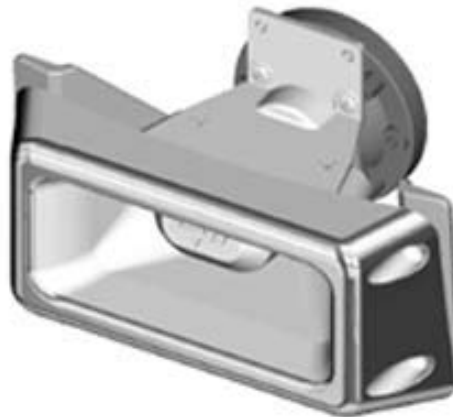
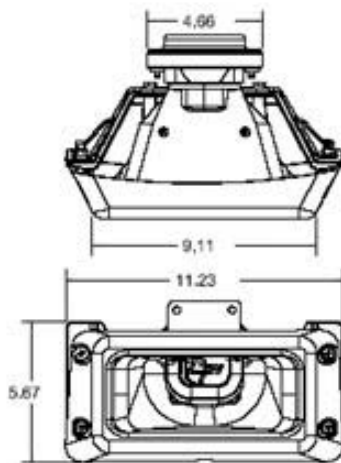
SAD4321



SAD4321-8FSD-6B
Driver Side Speaker (2008 Ford F Series
SD - BTB Mount - Fog Light opening)

SA5000 Series

SA5403



SA5403
Siren Speaker,
"Through-the-Bumper"
Mount 2003-05 Freightliner
M2 - pre-cut holes

- 1) Finish: Trim Bezel is polished. Cone, Horn and bracket are Wheel-a-brated.
- 2) Important: See specs for matching electrical components and requirements.
- 3) Siren Speaker, "Through-the-Bumper" Mount 2003-05 Freightliner M2 - pre-cut holes

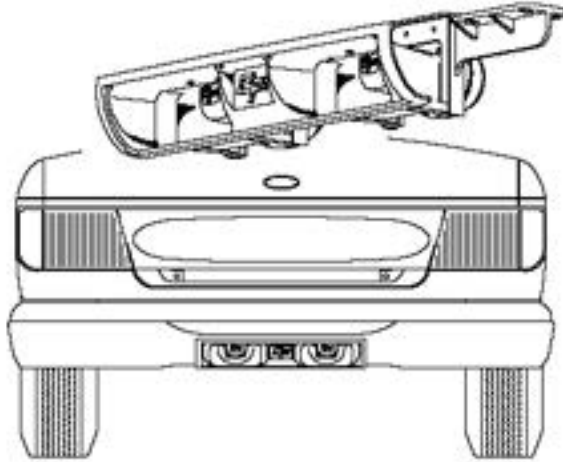
SA5414



SA5414 Siren Speaker Assembly, "Through-the-Bumper" Mount (International TerraStar)

1) Finish: Polished exterior flange with interior ball-burnished.

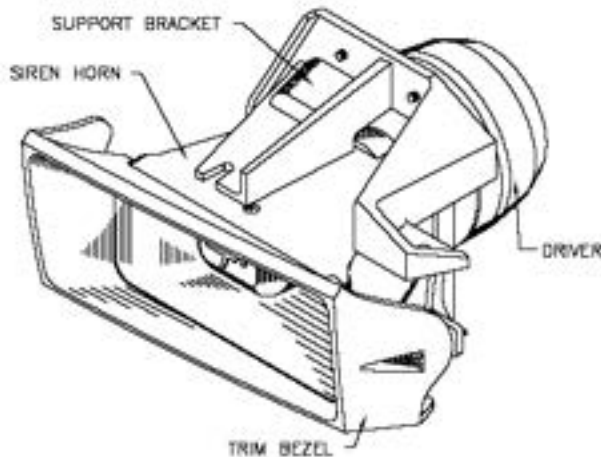
SA5501



SA5501 "Under-the-Bumper" Mount Siren Speaker

- 1) Finish: Trim Bezel is polished. Cone and Horn are Ball-burnished. Bracket is wheel-a-brated.
- 2) Important: See specs for matching electrical components and requirements.
- 3) Designed as an under the bumper mount on most heavy duty vehicles.

SAD5401 SAP5401

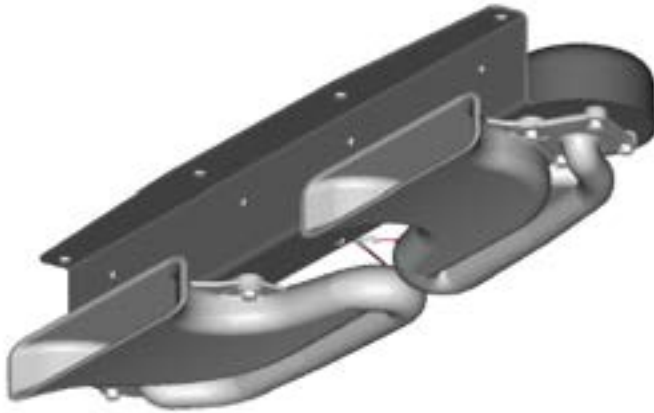


SAD SAP5401 Under-the-Bumper Mount Siren Speaker

- 1) Finish: Trim Bezel, Cone, and Horn are Wheel-a-brated.
- 2) Important: See specs for matching electrical components and requirements.
- 3) Designed to mount under the bumper.

SA6000 Series

SA6004



SA6004 **Dual Siren Speakers** **"Under-the-Bumper" Mount** **'2000-04 Ford E350**

- 1) Finish: black powder-coated.
- 2) Important: See specs for matching electrical components and requirements.
- 3) Dual Siren Speakers "Under-the-Bumper" Mount '2000-04 Ford E350

SA6011



SA6011 **Dual Siren Speakers** **"Under-the-Bumper" Mount** **2005 Ford E350 Van**

- 1) Finish: black powder-coated.
- 2) Important: See specs for matching electrical components and requirements.
- 3) Dual Siren Speakers "Under-the-Bumper" Mount 2005 Ford E350 van with center bumper holes.



SA6016

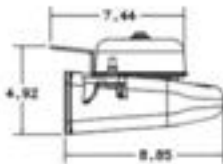
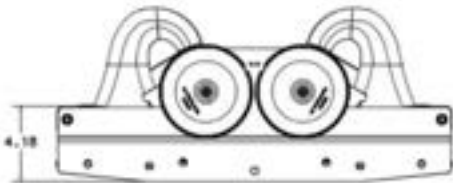


SA6016

Dual Siren Speaker,
"Under-the-Bumper"
Mount 2008 Ford E350
Van Chassis (Center
Mount UTB)

1) Finish: Powder coated
black.

SA6113



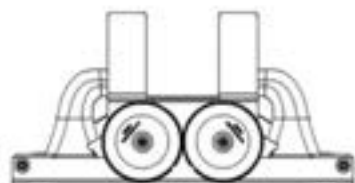
SA6113

Dual Siren Speaker,
"Under-the-Bumper"
6100 Series Mount 2008
Ford F350 SD

1) Finish: Powder coated
black.



SA6114



SA6114

Dual Siren Speaker,
"Under-the-Bumper"
6100 Series Mount 2007-
08 Chevy/GMC C3500
HD - new body style
(Center Mount UTB)

1) Finish: Powder coated
black.



SA6117



SA6117-15FTC-6B
Dual Siren Speaker Each,
"Under-the-Bumper" Mount
2015 Ford Transit Cargo Van
(Center Mount UTB)

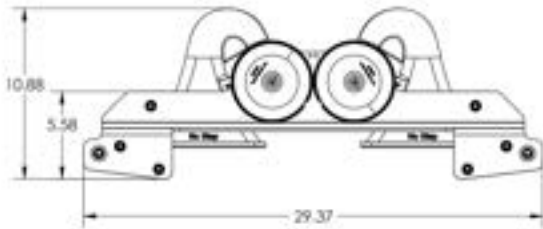
1) Finish: Black powder-coated



SA6118

SA6118-17FSD-6B

SA6100 Series UTB 2017 Ford F Series SD



1. Dual Siren Speaker Each, "Under-the-Bumper" Mount 2017 Ford F450 SD (Center Mount UTB)
2. Finish: powder coated black.

SA6300

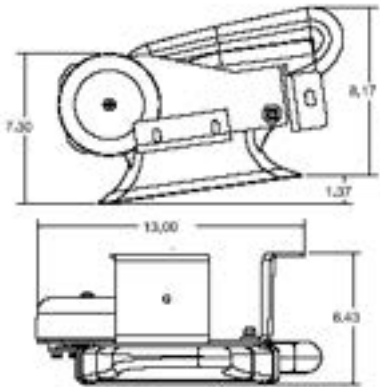
SA6300
Vertical siren speaker



SAD6007 SAP6007

SAD SAP6007

**Under-the-Bumper
Mount Siren
Speaker 2004-05
Ford E350**



- 1) Finish: powder-coated black or wheel-a-brated.
- 2) Important: See specs for matching electrical components and requirements.
- 3) Designed to mount under the bumper 2004-05 Ford E350

SAD6301 SAP6301

- 1) Finish: powder coated black
- 2) For "Through-the-Bumper" Mount 2008-11 Sprinter.

SAD SADP6301 Siren Speaker Assembly, "Through-the-Bumper" Mount 2008-11 Sprinter4300



SAD6302 SAP6302

- 1) Finish: powder coated black
- 2) For "Through-the-Bumper" Mount 2008-11 Sprinter with the smaller DEF Tank option.

SAD SADP6302 Siren Speaker Assembly, "Through-the-Bumper" Mount 2008-11 Sprinter4300 with small DEF Tank



SAD6303 SAP6303



SA7000 Series

SA7001



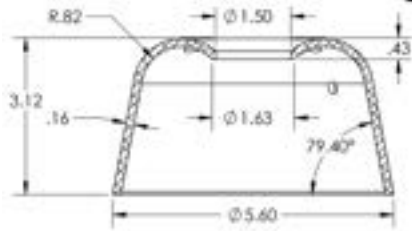
SA7001 Round Siren Speaker

- 1) Finish: Light Gray or Wheel-a-brated. Cone finish is light gray (Wheel-a-brated), painted, or polished.
- 2) Important: See specs for matching electrical components and requirements.

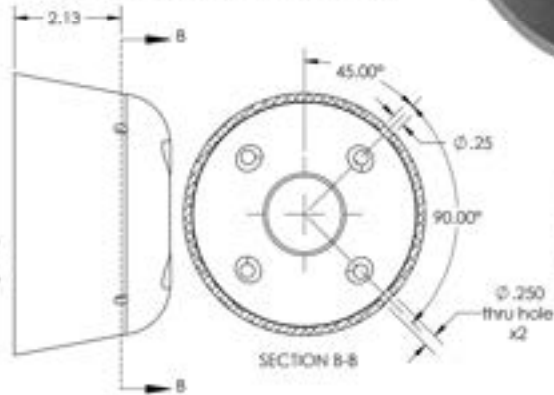
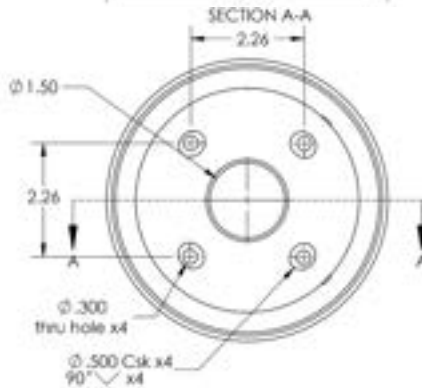
SA7001-A

SA7001-1-A

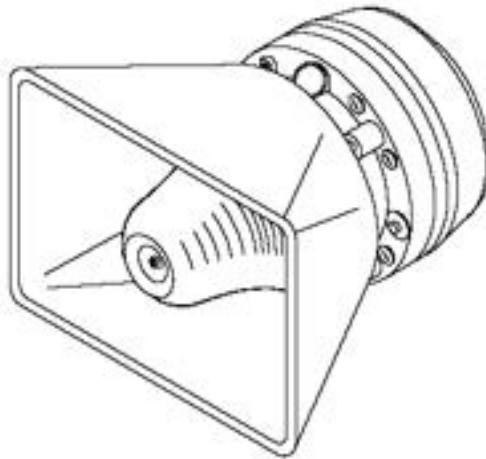
Siren Speaker, Round Cast Bell
Housing w/ 2 side mounting holes



1. Finish: Polished exterior
with ball-burnished interior.



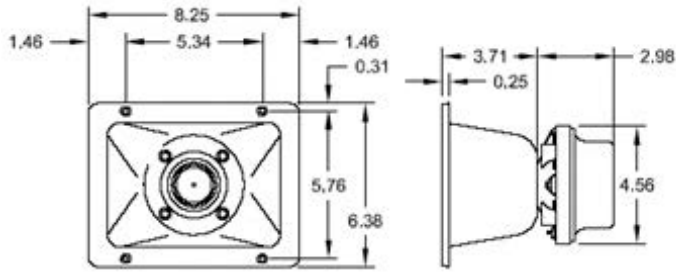
SA7003



SA7003 Rectangular Siren Speaker

- 1) Finish: Light Gray or Wheel-a-brated. Cone finish is light gray (Wheel-a-brated), painted or polished.
- 2) Important: See specs for matching electrical components and requirements.

SA7004

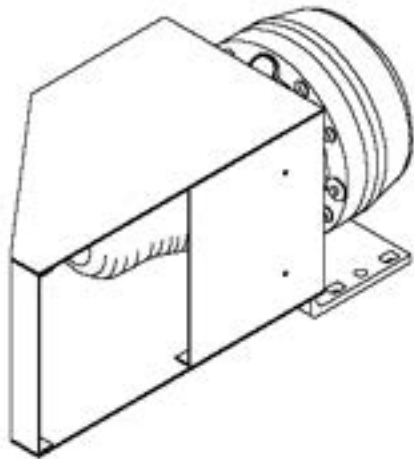


SA7004 Rectangular Siren Speaker with Mounting Flange

- 1) Finish: Light Gray or Wheel-a-brated. Cone finish is light gray (Wheel-a-brated), painted or polished.
- 2) Important: See specs for matching electrical components and requirements.



SA7006



SA7006 Gray Metal Concealed Siren Speaker

- 1) Finish: Gray Metal.
- 2) Important: See specs for matching electrical components and requirements.
- 3) Concealable, for many applications including behind-the-grille mounts.

SA7007



SA7007 ABS Rectangular Siren Speaker

- 1) Finish: Black
- 2) Important: See specs for matching electrical components and requirements.
- 3) Industry standard lightbar speaker.
- 4) Lightbar, Grille, or Push-bar mount.

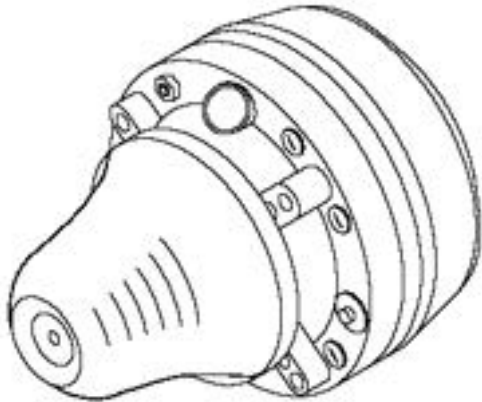
SA7010



SA7010
Siren Speaker for
International C4700
Bumper Holes

- 1) Finish: Ball-burnished.
- 2) Important: See specs for matching electrical components and requirements.
- 3) Mounts to the 4" x 6" holes found in the chrome plated bumpers on the International C4700 Heavy Duty Trucks.

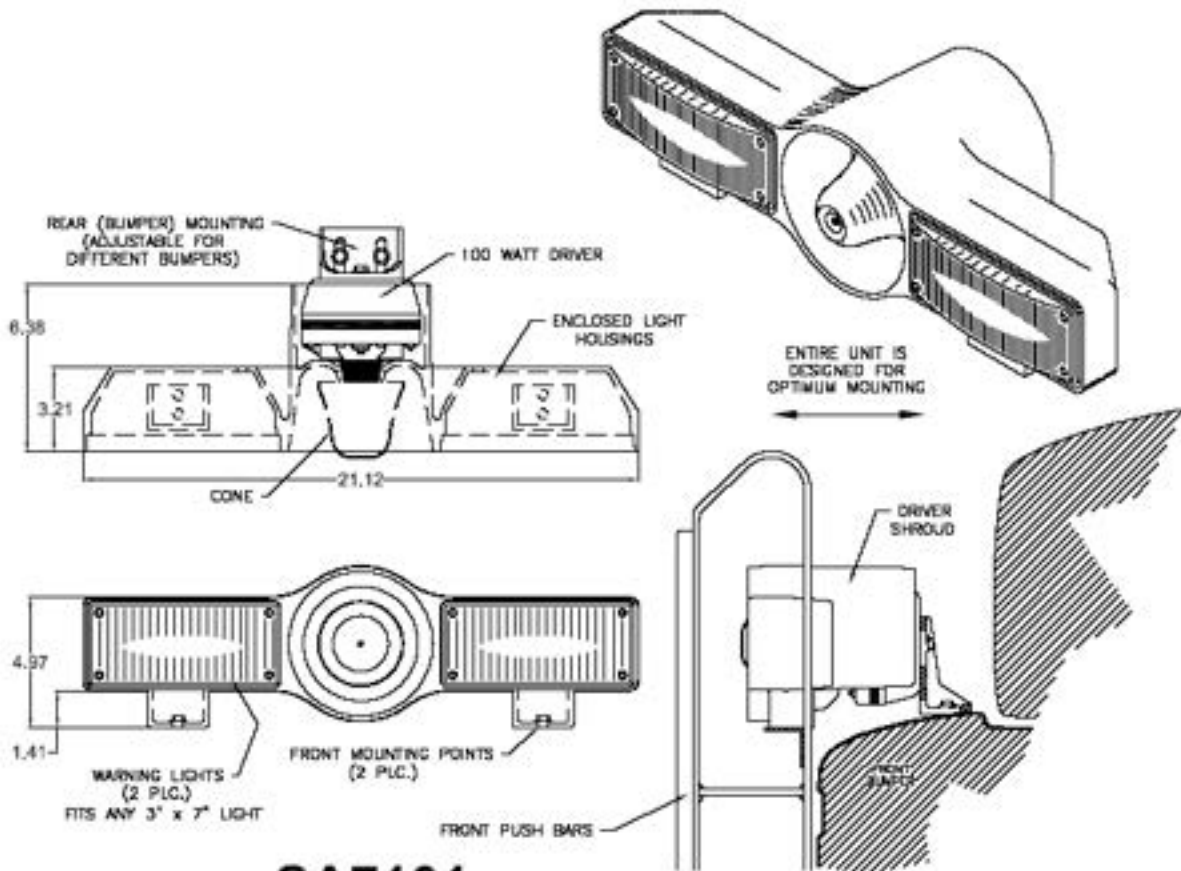
SA7011



SA7011
Siren Speaker

- 1) Finish: Black Powder-Coated.
- 2) Important: See specs for matching electrical components and requirements.
- 3) Speaker Driver and Short screw-on tip only.

SA7101

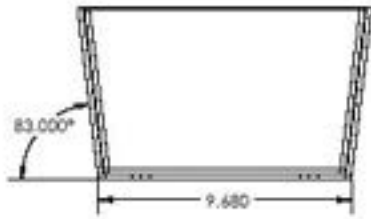


SA7101

Push-Bar Mount Siren Speaker for 3" x 7" Warning Lights

- 1) Black powder coated or Wheel-a-brated (Light Gray).
- 2) Important: See Specs for matching electrical components and requirements.
- 3) Application: Mounts to the Push-bar between the uprights and uses an optional adjustable bracket for supporting the driver weight (to help eliminate vibration). Different brackets for other vehicle applications can be made upon request.

SH0001



SH0001
Siren Box Casting

1) Finish: Exterior Surface Polished

