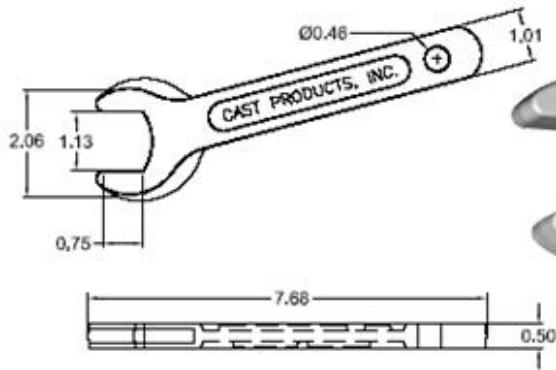


Oxygen Cylinder Accessories

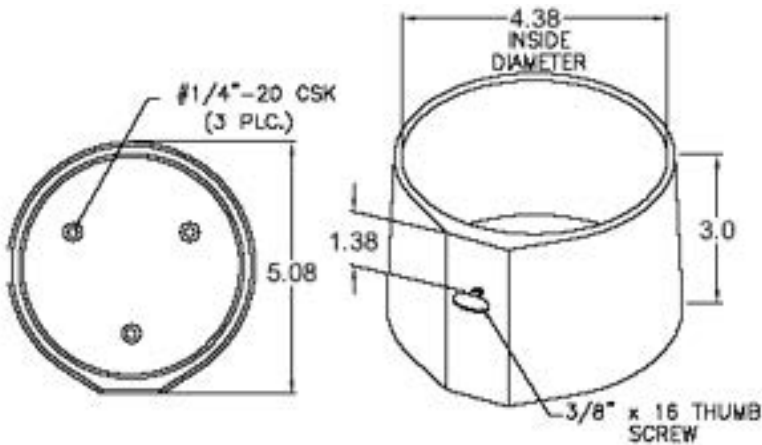
OA0002



OA0002 Oxygen Cylinder Wrench

1) Finish: Wheel-a-brated

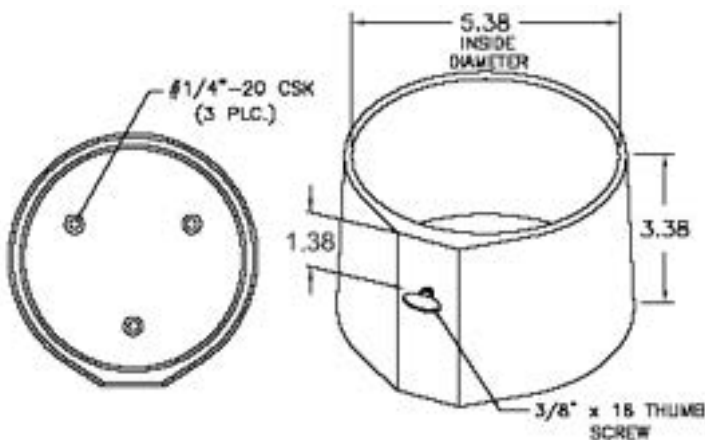
OA0003



OA0003 Single Oxygen Cylinder Cup for "D" & "E" sizes

1) Finish: inside is bead-blasted,
Outside is polished.

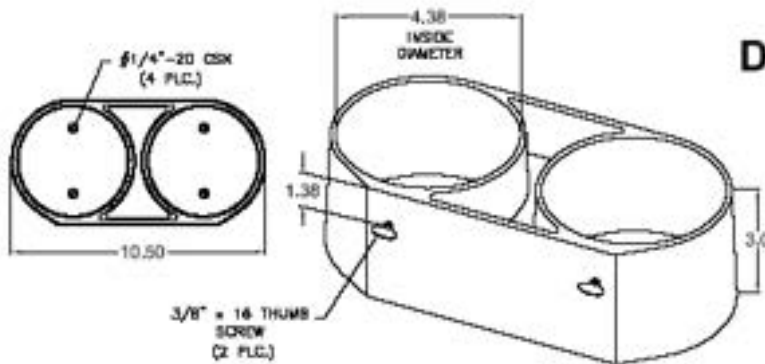
OA0004



OA0004 Single Oxygen Cylinder Cup for "Jumbo" sizes

1) Finish: inside is bead-blasted,
Outside is polished.

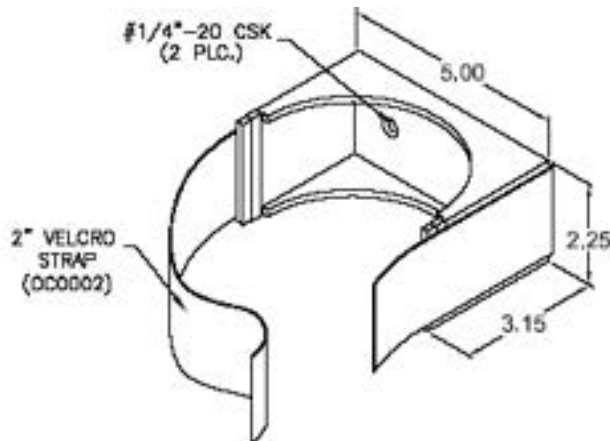
OA0005



OA0005 Double Oxygen Cylinder Cup for "D" & "E" sizes

- 1) Finish: Inside is bead-blasted, Outside is polished.

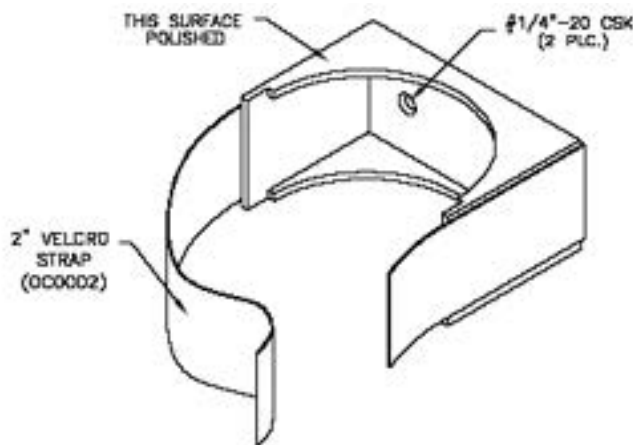
OA0006



OA0006 Single Oxygen Cylinder Clamp for "D" & "E" sizes

- 1) Finish: Inside is bead-blasted, Outside is polished.
- 2) Use the clamp with part #OA0003. Important: Cup to wall distance is determined by this clamp.

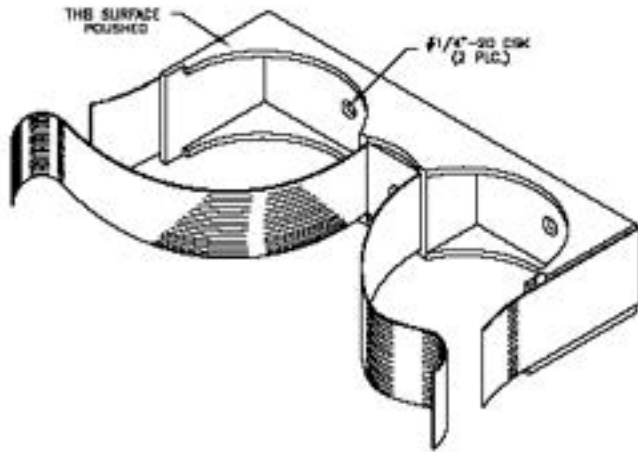
OA0007



OA0007 Single Oxygen Cylinder Clamp for "Jumbo" sizes

- 1) Finish: Inside is bead-blasted, Outside is polished.
- 2) Use the clamp with part #OA0004. Important: Cup to wall distance is determined by this clamp.

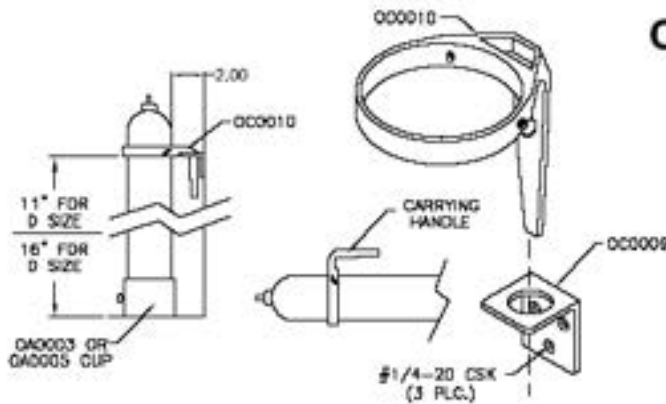
OA0008



OA0008 Double Oxygen Cylinder Clamp for "D" & "E" sizes

- 1) Finish: Inside is bead-blasted, Outside is polished.
- 2) Use the clamp with part #OA0005. Important: Cup to wall distance is determined by this clamp.

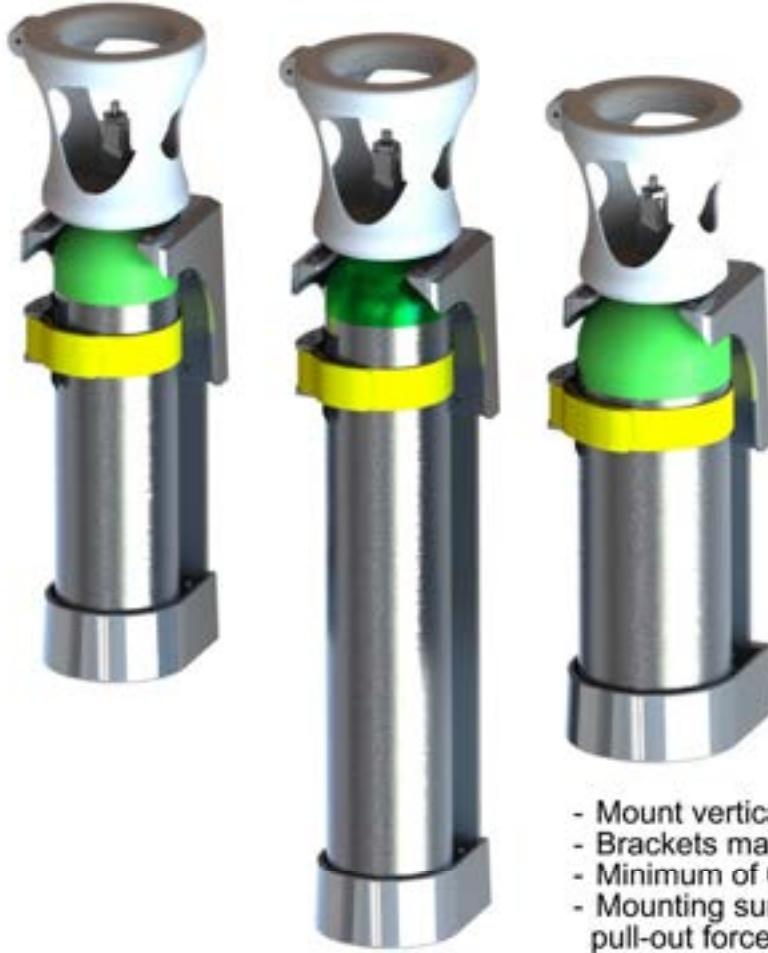
OA0009



OA0009 Oxygen Cylinder Holder for "D & E" sizes

- 1) Finish: Polished.
- 2) Special Feature: Built-in carry handle.
- 3) Mounting screws furnished.

Duramount Oxygen Bottle Holders



OA1101-D-1

D 4.30" Cylinder: Oxygen Bottle Retention System / Assembly

OA1103-E-1

E 4.30" Cylinder: Oxygen Bottle Retention System / Assembly

OA1102-JD-1

JD 5.30" Cylinder: Oxygen Bottle Retention System / Assembly

OA1107-JD-1

JD 5.30" + .125" Cylinder: Oxygen Bottle Retention System / Assembly

- Mount vertically or horizontally
- Brackets may be mounted side by side
- Minimum of 6 mounting points using 1/4" SS hardware
- Mounting surface must be able to withstand the pull-out force greater than the strength of the mounting hardware

Designed to accommodate steel and aluminum oxygen cylinders including "D", "E", and "Jumbo D" sizes, our all Duramount Oxygen Bottle Holders are specifically designed to meet stringent safety standards, provide secure attachment, and maintain unmatched quality throughout the life of its use. Our Duramounts products are constructed of durable cast aluminum and accommodates almost all oxygen regulator controls. Our brackets have been tested to meet KKK-1822-F and SAE J3043 requirements, and can be mounted both vertically and horizontally. Cylinders not included.

Duramount Fire Extinguisher Holders



OA1104-5LB-FIRE-1
 DURAMOUNT "5 LB" Fire
 Extinguisher Retention System /
 Assembly (4.30" Cylinder)

OA1105-10LB-FIRE-1
 DURAMOUNT "10 LB" Fire
 Extinguisher Retention System /
 Assembly (5.10" Cylinder)

- Mount vertically or horizontally
- Brackets may be mounted side by side
- Minimum of 6 mounting points using ¼" SS hardware
- Mounting surface must be able to withstand the pull-out force greater than the strength of the mounting hardware

Designed to accommodate steel and aluminum oxygen cylinders including "D", "E", and "Jumbo D" sizes, our all Duramount Holders are specifically designed to meet stringent safety standards, provide secure attachment, and maintain unmatched quality throughout the life of its use. Our Duramounts products are constructed of durable cast aluminum and accommodates almost all regulator controls. Our brackets have been tested to meet KKK-1822-F and SAE J3043 requirements, and can be mounted both vertically and horizontally. Cylinders not included.

Auto Duramount Oxygen Bottle Holders



OA1201-D-1

Strapless DURAMOUNT "D"
4.30" Cylinder: Oxygen Bottle
Retention System

OA1202-E-1

Strapless DURAMOUNT "E"
4.30" Cylinder: Oxygen Bottle
Retention System

OA1203-JD-1

Strapless DURAMOUNT "JD"
Jumbo 5.30" Cylinder: Oxygen
Bottle Retention System

- Mount vertically or horizontally
- Brackets may be mounted side by side
- Minimum of 6 mounting points using 1/4" SS hardware
- Mounting surface must be able to withstand the pull-out force greater than the strength of the mounting hardware

Designed to accommodate steel and aluminum oxygen cylinders including "D", "E", and "Jumbo D" sizes, our all new Auto-Release Duramount Oxygen Bottle Holders are specifically designed to meet stringent safety standards, provide secure attachment, and maintain unmatched quality throughout the life of its use. Our Duramounts products are constructed of durable cast aluminum and accommodates almost all oxygen regulator controls. Our brackets have been tested to meet KKK-1822-F and SAE J3043 requirements, and can be mounted both vertically and horizontally. Cylinders not included.



Auto Duramount Dual Oxygen Bottle Holder



- Mount vertically or horizontally
- Mounts into an 11" wide space.
- Minimum of 6 mounting points using 1/4" SS hardware
- Mounting surface must be able to withstand the pull-out force greater than the strength of the mounting hardware

OA1205-DUAL-D-1
Dual Strapless DURAMOUNT
"D" 4.30" Cylinder: Oxygen Bottle
Retention System / Assembly



Designed to accommodate steel and aluminum "D" oxygen cylinder, our all new Auto-Release "Dual" Duramount Oxygen Bottle Holders are specifically designed to meet stringent safety standards, provide secure attachment, and maintain unmatched quality throughout the life of its use. Our Duramounts products are constructed of durable cast aluminum and accommodates almost all oxygen regulator controls. Our brackets have been tested to meet KKK-1822-F and SAE J3043 requirements, and can be mounted both vertically and horizontally. Cylinders not included.