

Product Line Designators

AD	Access Door	MSP	Marine Stern Port
ADC	Access Door Component	MSS	Marine Stern Starboard
ADM	Access Door Misc	OA	Oxygen Accessories
AH	Assembly Hardware	OC	Oxygen Cylinder Parts
BC	Bumper Corner	PR	Proprietary Parts
CR	Foundry Core	PRC	Proprietary Component
CPM	CPI Misc	RG	Rubber Gasket
CT	Cutting Templates	RR	Rub Rail End
DH	Door Hardware	SA	Siren Assembly
EB	Enclosed Box	SAD	Siren Assembly Driver
EC	Extrusion Component	SAP	Siren Assembly Passenger
EL	Electronics	SB	Siren Bracket
EX	Extrusion	SC	Siren Cone
EXA	Ex Hsg w- CPI end caps	SD	Siren Driver
EXB	Ex Hsg w- Swivel Brkts	SH	Siren Horn
EXC	Ex Hsg w- Swivel Brkts, Rt side hole	SP	Step
EXD	Ex Hsg w- Swivel Brkts, Lft side hole	SS	Shelf Brackets & Supports
EXE	Ex Hsg w- Angled End Caps-3x4 Lt	ST	Siren Trim
FA	Fire Apparatus	STC	Stretcher Cups
FC	Fire Apparatus Component	STH	Stretcher Hangers
FD	Fenderette	SW	Siren Wedge
FG	Fuel Guards	TA	Traffic Accessories
FGC	Fuel Guard Component	TC	Traffic Components
FR	Flange Ring	TFC	Truck Front Curbside
FS	Flange Spacer	TFS	Truck Front Steelside
HD	Handles	TFU	Truck Front Universal
IV	IV Hanger	TGC	Truck General Casting
LB	Light Bar Bracket	TGR	Truck General Rear
LBC	Light Bar Bracket Component	TMC	Truck Misc. Casting
LC	Light Housing Component	TRC	Truck Rear Curbside
LH	Light Housing Assembly	TRG	Truck Roller Gusset
LP	License Plate Holder	TRR	Truck Rub Rail
MBW	Marine Bow	TRS	Truck Rear Streetside
MC	Modular Corner	TRU	Truck Rear Universal
MCC	Marine Corner Casting	VC	Vent Cover
MGC	Marine General Casting	WC	Wheel Cover
MHB	Marine House Boat	WH	Wheeler Medical
MMC	Marine Misc	WL	Warning Light

Light Legends

Light Housing, Weldon 1000 series	LH10
Light Housing, Truck-lite Marker	LH14
Light Housing, Weldon 2000 series	LH20
Light Housing, Weldon 2030 series	LH23
Light Housing, Federal Signal MODLED1 Light	LH24
Light Housing, 2" X 5"	LH25
Light Housing, 2" X 5" Federal Signal VIPER	LH251
Light Housing, Weldon 3020 series	LH32
Light Housing, 3" X 4"	LH34
Light Housing, 3" X 5" Linear Strobe (4E)	LH35
Light Housing, 3" X 7" (7E)	LH37
Light Housing, 3" X 7" (Whelen M Series)	LH37M
Light Housing, Trucklite Dome Light	LH44
Light Housing, 4" X 6"	LH46
Light Housing, 5" X 2" 500 series (500 series)	LH52
Light Housing, 5" X 8"	LH58
Light Housing, 7" X 9" (9E)	LH79
Light Housing, 1500 watt	LH901
Light Housing, 500 watt	LH902
Light Housing, Belts B70A	LH903
Light Housing, Caf's Eye CE600	LH904
Light Housing, Code3 Oscilaser	LH905
Light Housing, Fed Sig TCL, GS2F	LH906
Light Housing, Whelen C-Head	LH907
Light Housing, Guide Arrow	LH908
Light Housing, KD Lamp	LH909
Light Housing, Fireball / Blyte Light	LH910
Light Housing, Grote 4690	LH911
Light Housing, Underbody Lights	LH912
Light Housing, Federal Signal 3600	LH913
Light Housing, Power Arc	LH914
Light Housing, PAR36 Series	LH915

Powder Coat Colors (-6)

Black Flat	B
Black Crinkle Coat	BC
Black High Gloss	BHG
Black Magic (Dupont)	BM
Midnight Black Wrinkle	BW
Beige (TM)	BT
Desert Tan (PPG)	DT
UPS Brown	BR
Gray	GR
Anodized Aluminum	AA
Anodized Gray	G3
Silver	S
Bengal Silver	SB
Tornado Gray	TG
White	W
Pure White	PW
Scrobe White	SW
Weathered White	WW
Safety Yellow	SY
Traffic Yellow	Y
Red	R

Finish Call-outs and Options:

Polished	1
Ground	2
Brushed and ground	21
As cast	3
Wheel-a-brated	4
Ball-burnished	5
Ball-burnished and Hard buffed	51
Powder-coated	6
Vibratory Finish	7
Bead-Blasted	8

Hole Options

Lock Hole	L
No Lock Hole	N
1.00" Hole	100
2.00" Hole	200
2.25" Hole	225
2.38" Hole	238
2.50" Hole	250
2.63" Hole	263
3.00" Hole	300

Type of Housing Application

Miscellaneous	0
Total Surface Mount	1
Surface Mount	2
Recessed Mount	3
Tilt Down or Forward	4
Bumper Mount	5
Grille Mount	6
Intersection Housing	7
Flush Mount	8
No holes Option	9

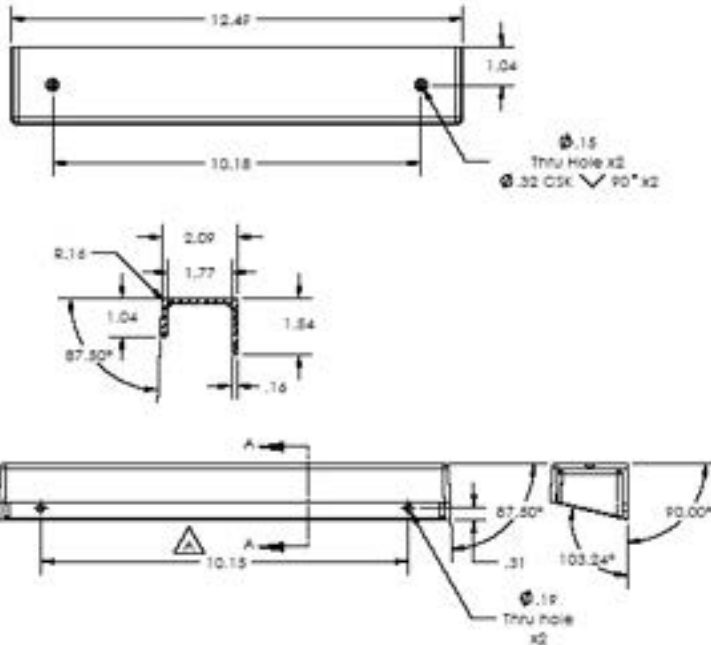
Option Format

(Option #1)	A
(Option #2)	B
(Option #3)	C
etc.....	D

Light Housings

Weldon 1000 Series

LH0010

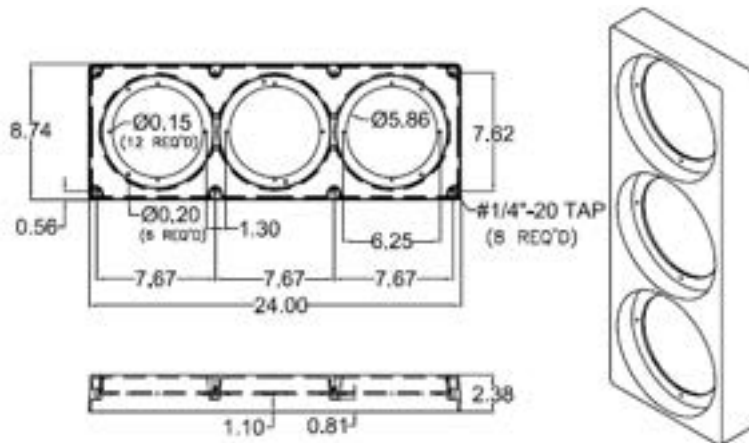


LH0010-1 Pump Panel Light Housing

1) Finish: Front face, top, bottom lip, and two ends are polished. Ball-burnished interior



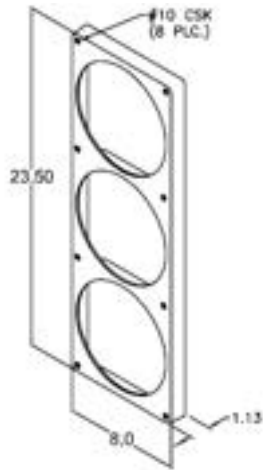
LH10101



LH10101 Triple Light Trim Weldon 1000

- 1) Finish: All exterior surfaces are bright polished or 120 grit ground.
- 2) Angle: 0°
- 3) Function: provides an aesthetic trim where a three light cluster is to be mounted.
- 4) Total surface mount. No clearance hole in the body required.

LH10201

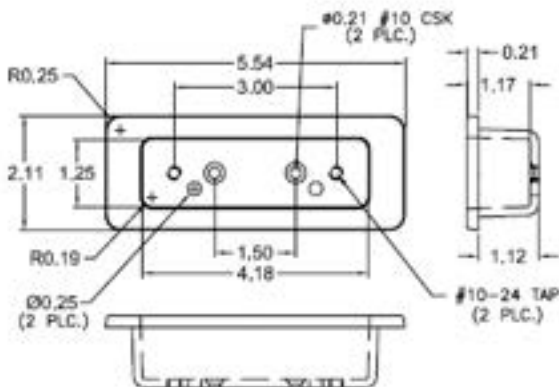


LH10201 Triple Light Trim Weldon 1000

- 1) Finish: All exterior surfaces are bright polished or 120 grit ground.
- 2) Angle: 0°
- 3) Function: provides an aesthetic trim where a three light cluster is to be mounted.

1" x 4" Marker Lights

LH14701

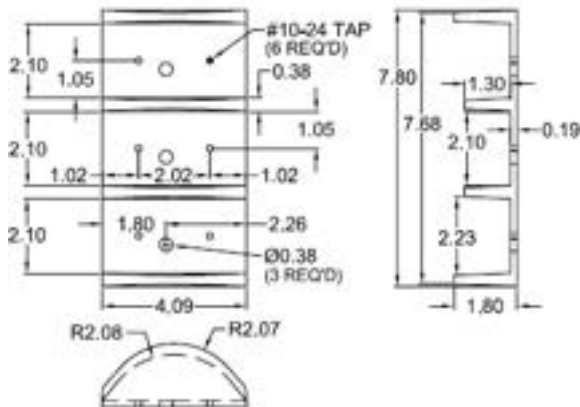


LH14701

Marker Light Housing (Truck-Lite)

- 1) Finish: Polished.
- 2) Angle: 0°

LH14702

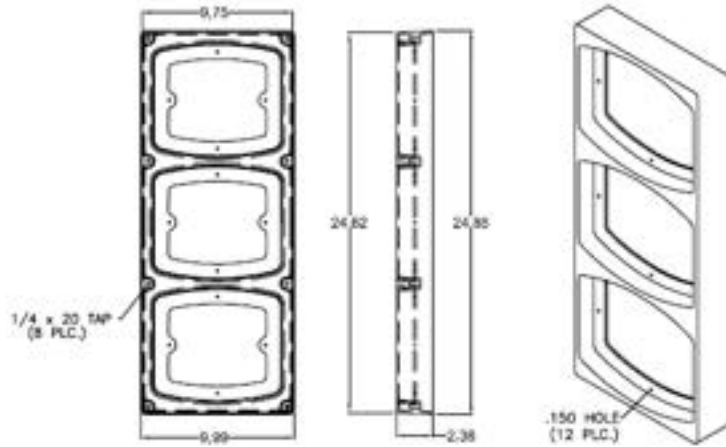


LH14702 Triple Marker Light Housing

- 1) Finish: wheel-a-brated.
- 2) Angle: 0°

Weldon 2000 series

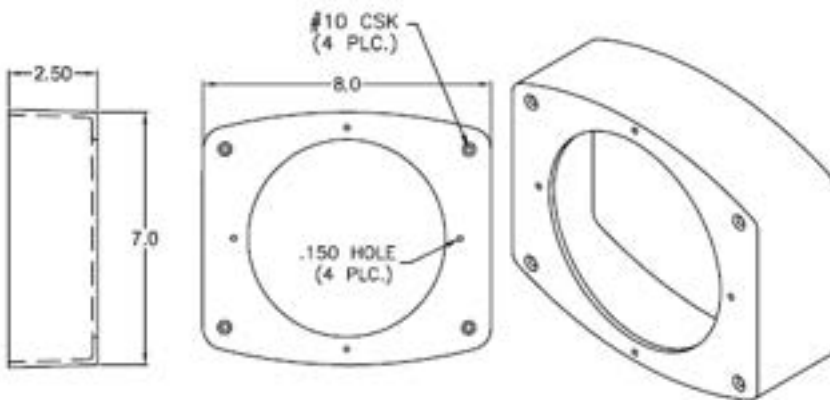
LH20101



LH20101 Triple Light Trim Weldon 2000

- 1) Finish: All exterior surfaces are bright polished or 120 grit ground.
- 2) Angle: 0°
- 3) Function: provides an aesthetic trim where a three light cluster is to be mounted.
- 4) Total surface mount. No clearance hole in the body required.

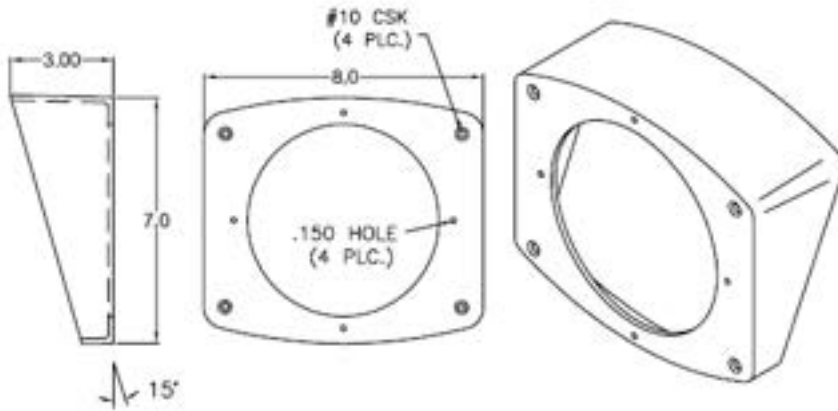
LH20103



LH20103 Light Housing Weldon 2000

- 1) Finish: All exterior surfaces are bright polished or 120 grit ground.
- 2) Angle: 0°
- 3) Total surface mount. No clearance hole in the body required.

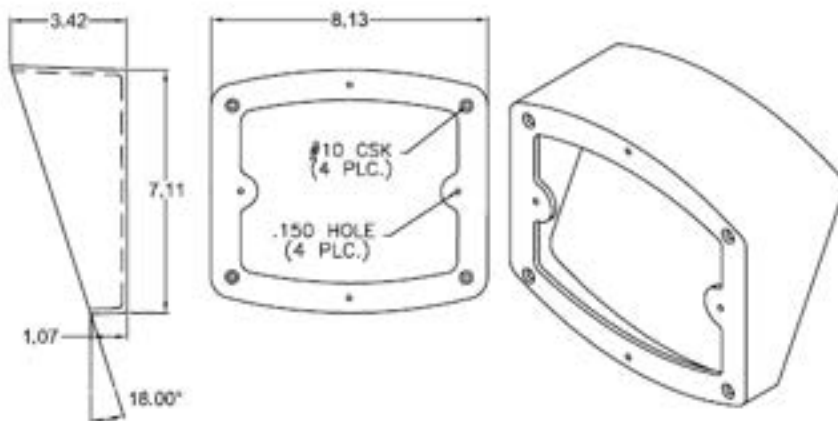
LH20104



LH20104 Light Housing Weldon 2000

- 1) Finish: All exterior surfaces are bright polished or 120 grit ground.
- 2) Angle: 15°
- 3) Total surface mount. No clearance hole in the body required.

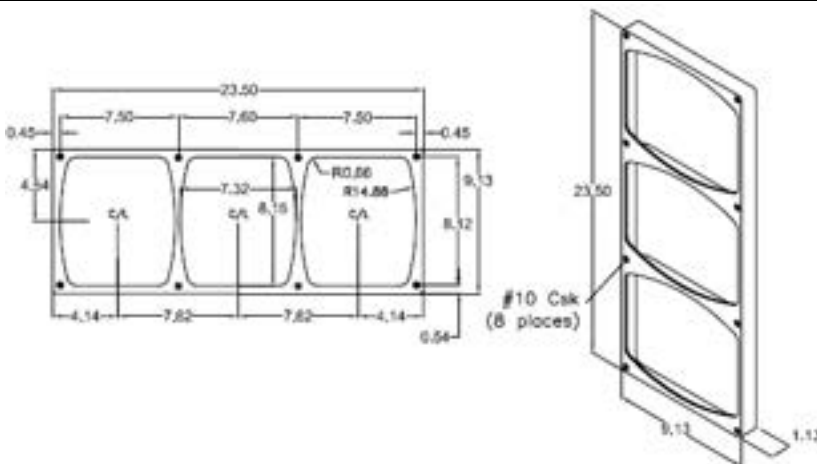
LH20105



LH20105 Light Housing Weldon 2000

- 1) Finish: All exterior surfaces are bright polished or 120 grit ground.
- 2) Angle: 18°
- 3) Total surface mount. No clearance hole in the body required.

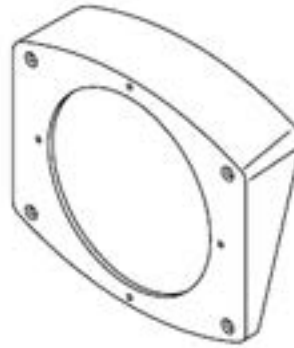
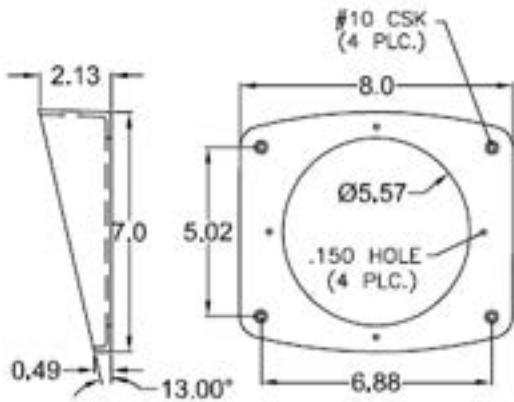
LH20201



LH20201 Triple Light Trim Weldon 2000

- 1) Finish: All exterior surfaces are bright polished or 120 grit ground.
- 2) Angle: 0°

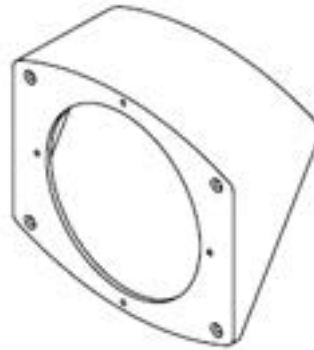
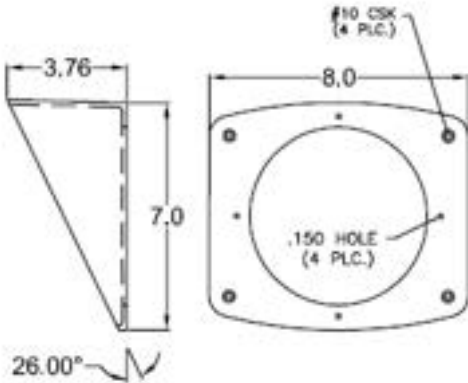
LH20205



LH20205 Light Housing Weldon 2000

- 1) Finish: All exterior surfaces are bright polished or 120 grit ground.
- 2) Angle: 13°

LH20206

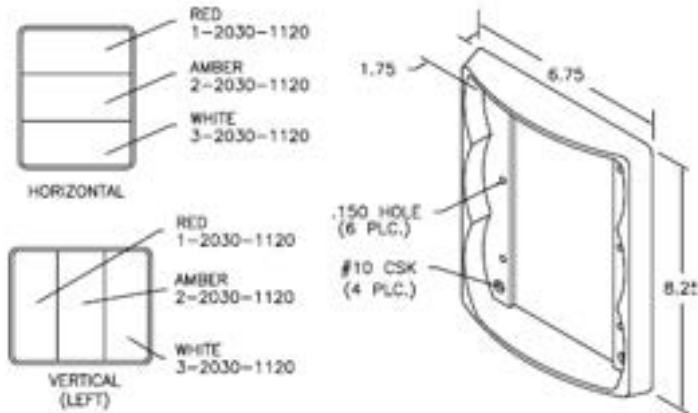


LH20206 Light Housing Weldon 2000

- 1) Finish: All exterior surfaces are bright polished or 120 grit ground.
- 2) Angle: 26°

Weldon 2030 Series

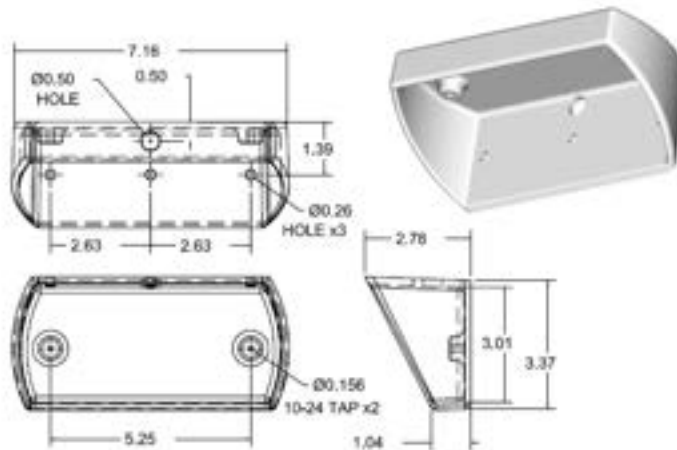
LH23201



LH23201 Triple Light Housing Weldon 2030

- 1) Finish: All exterior surfaces are bright polished or 120 grit ground.
- 2) Designed to accommodate a complete tail light assembly, consisting of tail, turn, and back-up lamps.
- 3) Installation: Three clearance holes for bulb sockets.

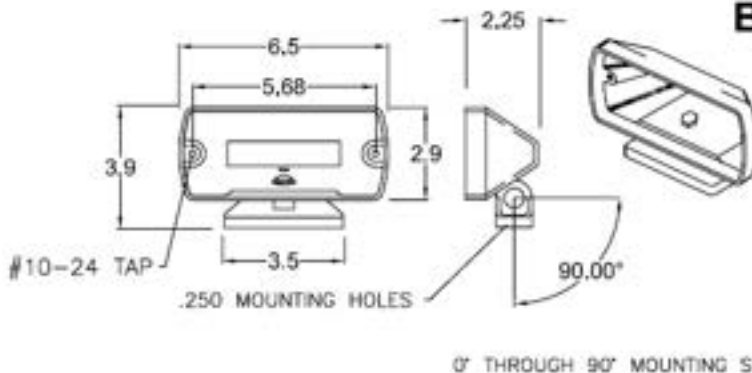
LH23202



LH23202 Panel Housing Weldon 2030

- 1) Finish: All exterior surfaces are bright polished or 120 grit ground.
- 2) Angle: 0°

LH23501

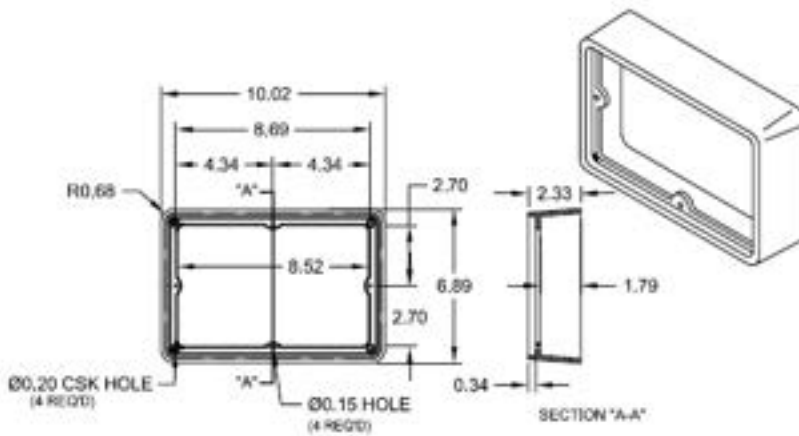


LH23501 Bumper Mount Light Housing Weldon 2030

- 1) Finish: All exterior surfaces are bright polished or 120 grit ground.
- 2) Mounting Angle: between 0° and 90°.

Weldon 3020 Series

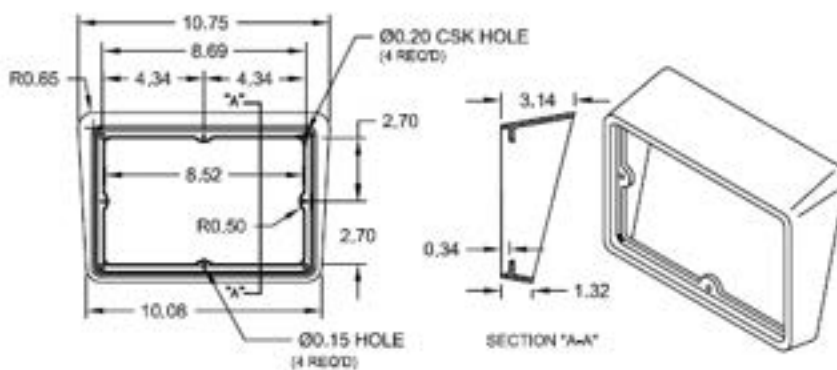
LH32101



LH32101 Light Housing Weldon 3020

- 1) Finish: All exterior surfaces are bright polished or 120 grit ground.
- 2) Angle: 0°
- 3) 1/8" cord gasket to seal housing to the body (optional: customer please specify).
- 4) Total surface mount. No clearance hole in the body required.

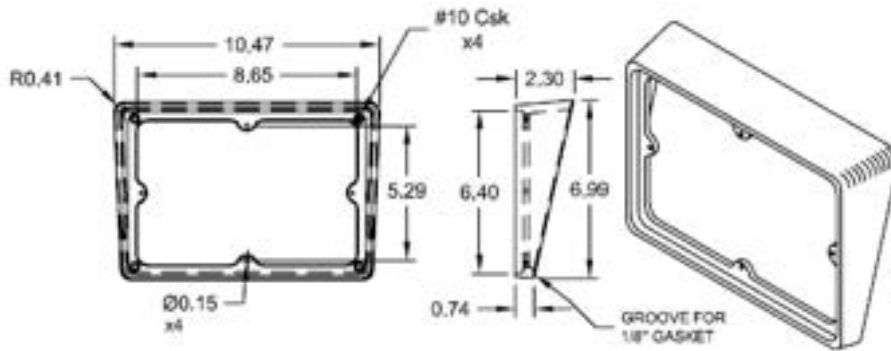
LH32102



LH32102 Light Housing Weldon 3020

- 1) Finish: All exterior surfaces are bright polished or 120 grit ground.
- 2) Angle: 15°
- 3) 1/8" cord gasket to seal housing to the body (optional: customer please specify).
- 4) Total surface mount. No clearance hole in the body required.

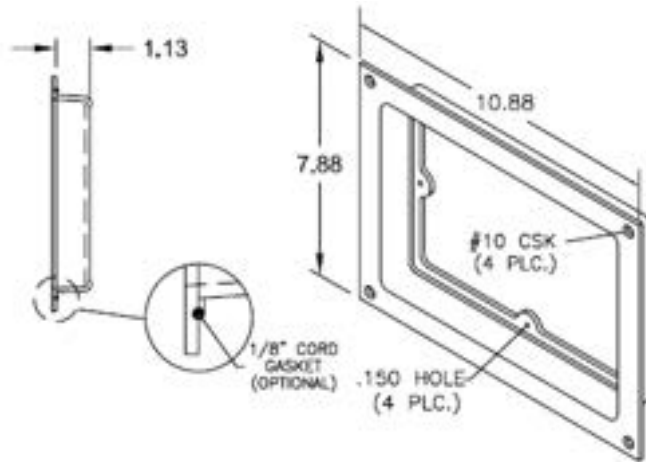
LH32201



LH32201 Light Housing Weldon 3020

- 1) Finish: All exterior surfaces are bright polished or 120 grit ground.
- 2) Angle: 13°
- 3) 1/8" cord gasket to seal housing to the body (optional: customer please specify).

LH32301

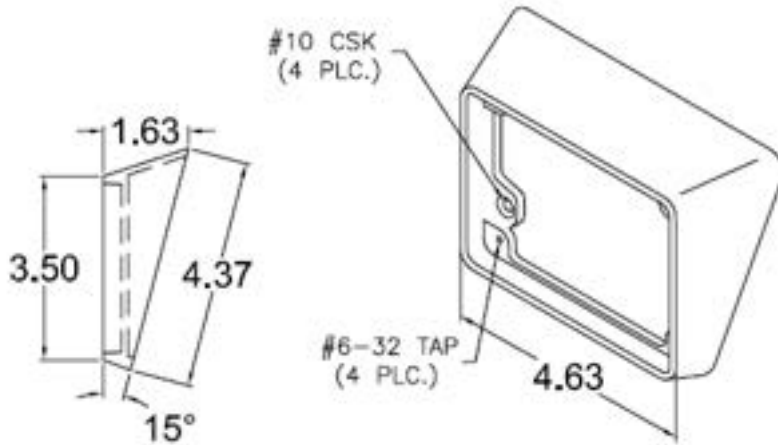


LH32301 Recessed Light Housing Weldon 3020

- 1) Finish: All exterior surfaces are bright polished or 120 grit ground.
- 2) Angle: 0°
- 3) 1/8" cord gasket to seal housing to the body (optional: customer please specify).

3 x 4 Light Housings

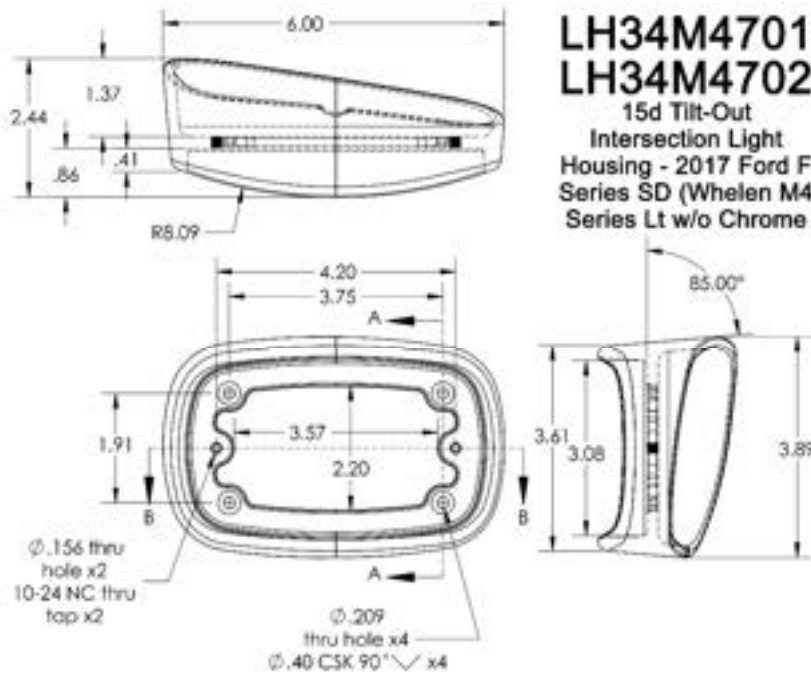
LH34203



LH34203 Light Housing (3" x 4" Light)

- 1) Finish: All exterior surfaces are bright polished or 120 grit ground.
- 2) Angle: 15°

LH34M4701 LH34M4702



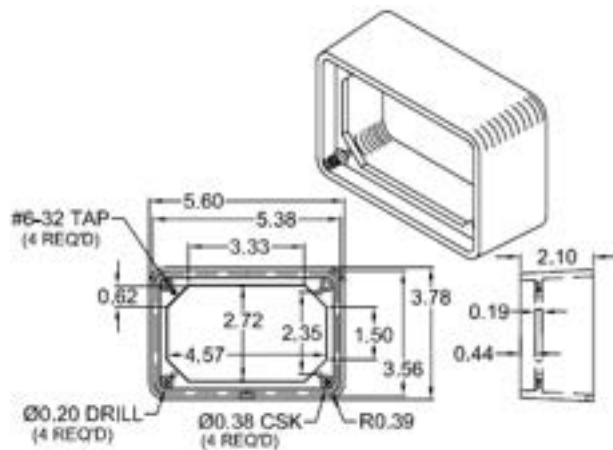
LH34M4701 LH34M4702

15d Tilt-Out
Intersection Light
Housing - 2017 Ford F
Series SD (Whelen M4
Series Lt w/o Chrome



1. Finish: exterior surfaces are polished.
- 2) For Whelen M4 Series Lt w/o Chrome Trim, 15d. Intersection Lt Hsg (2017 Ford F Series SD)
- 3) M4 Intersection Housing: works with Plain Fender and Fender with Large Fender Flare

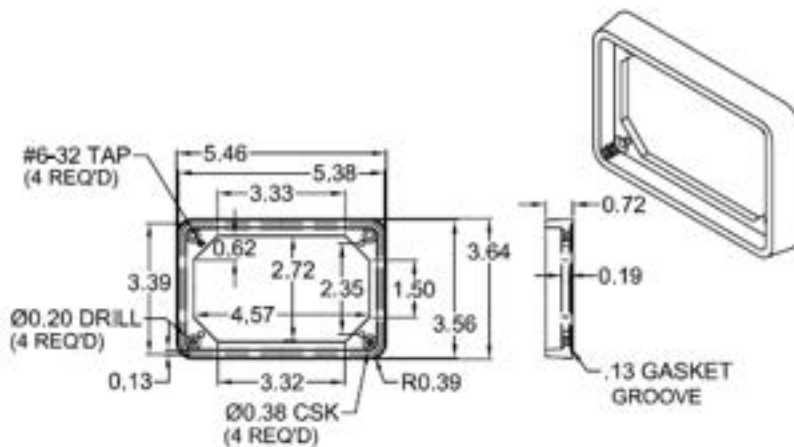
LH35101



LH35101 Surface Mount Light Housing (3" x 5" Light)

- 1) Finish: All exterior surfaces are bright polished.
- 2) Angle: 0°
- 3) For use with a 3" x 5" linear strobe light.

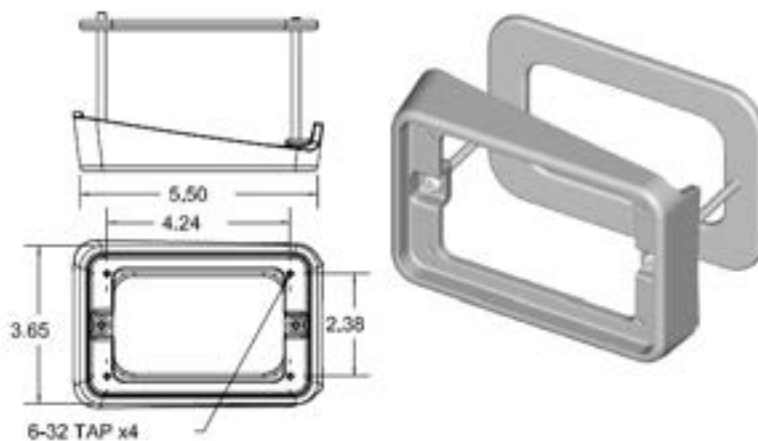
LH35202



LH35202 Light Housing (3" x 5" Light)

- 1) Finish: All exterior surfaces are bright polished.
- 2) Angle: 0°
- 3) For use with a 3" x 5" linear strobe light.

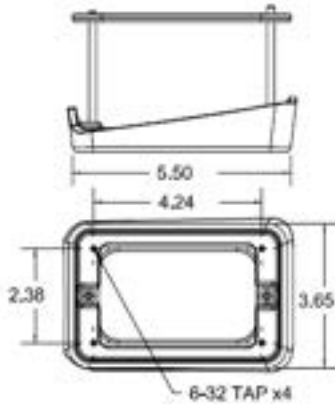
LH35603



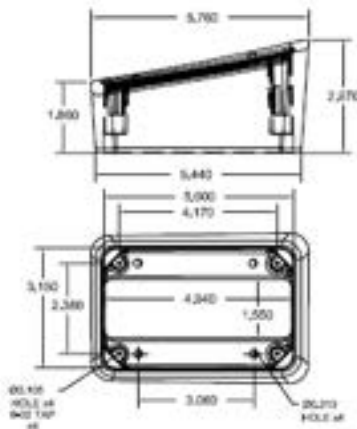
LH35603 Grille Mount Lt Hsg - 3" x 5" LED

- 1) Finish: All exterior surfaces are bright polished
- 2) For use with a 3" x 5" LED light.
- 3) Passenger side Grille Mount Lt Hsg - 2005-06 2005 Ford F350 SD

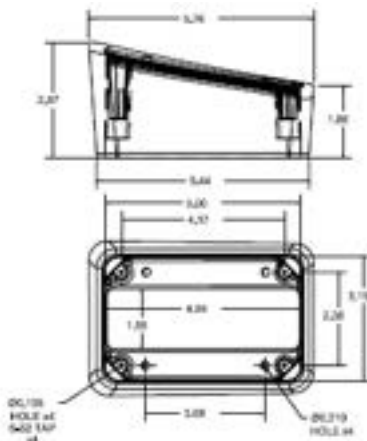
LH35604



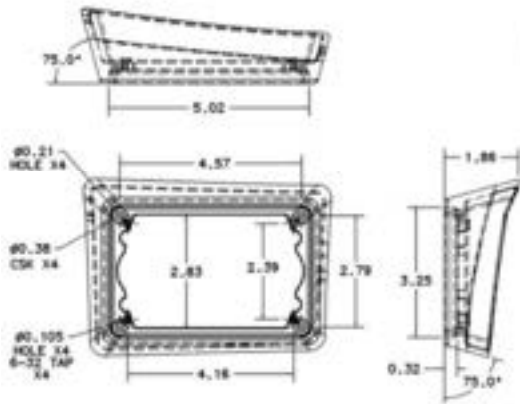
LH35703



LH35704



LH35709 LH35710

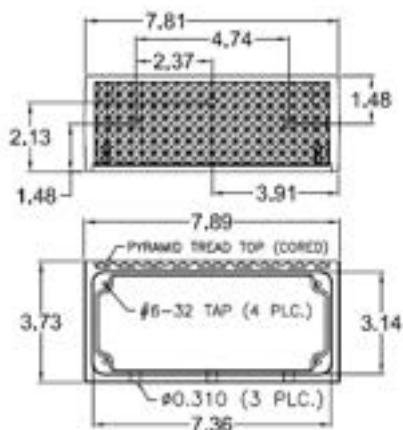


LH35709 and LH35710 Intersection Housings for 2008 Ford F350 series SD

- 1) Finish: polished exterior.
- 2) LH35709 Driver Side. LH35710 Passenger Side (shown).
- 3) For 3" X 5" Lights.

3" x 7" Light Housings

LH37008

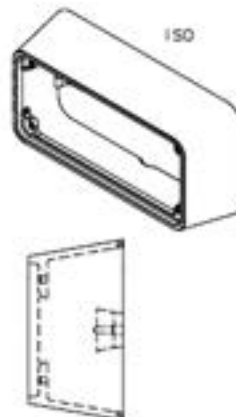
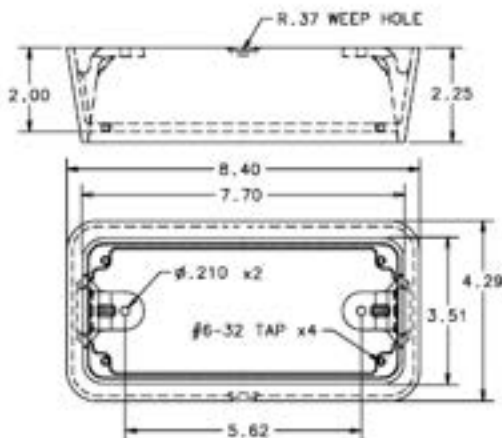


LH37008

Step / Light Housing (3" x 7" Light)

- 1) Finish: All exterior surfaces are bright polished.
- 2) Angle: 0°
- 3) Total surface mount. No clearance hole in the body required.

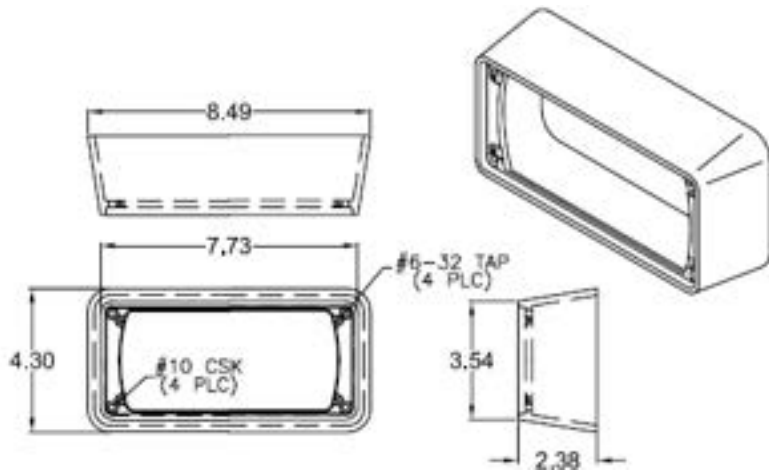
LH37101



LH37101 Light Housing (3" x 7" Light)

- 1) Finish: All exterior surfaces are bright polished.
- 2) Angle: 0°
- 3) Tomar Halogen Light requires two 1 3/8" holes drilled in the body.

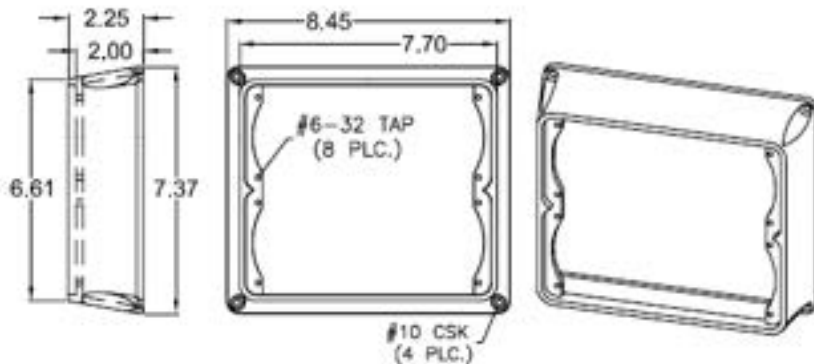
LH37102



LH37102 Light Housing (3" x 7" Light)

- 1) Finish: All exterior surfaces are bright polished.
- 2) Angle: 0°
- 3) Tomar Halogen Light requires two 1 3/8" holes drilled in the body.

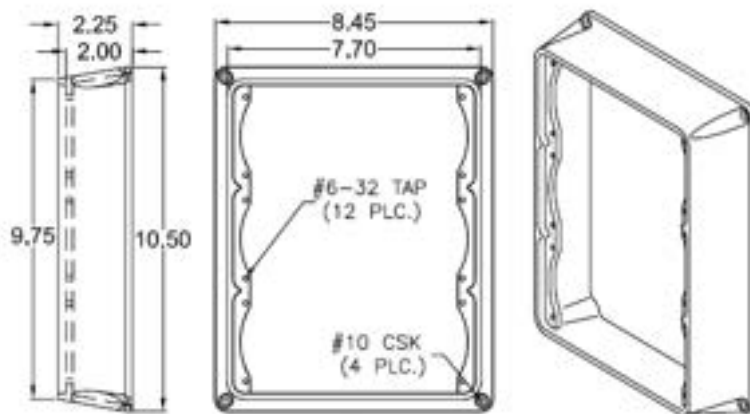
LH37104



LH37104 Double Light Housing (3" x 7" Light)

- 1) Finish: All exterior surfaces are bright polished.
- 2) Angle: 0°
- 3) Total surface mount. No clearance hole in the body required.

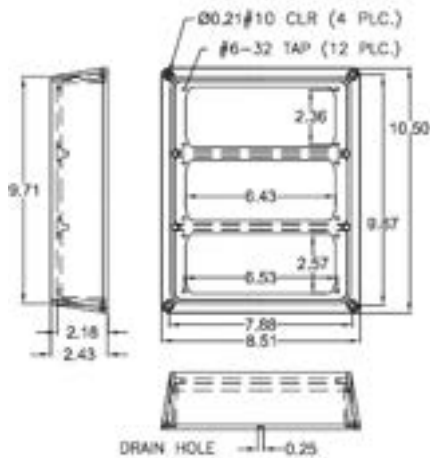
LH37105



LH37105 Triple Light Housing (3" x 7" Light)

- 1) Finish: All exterior surfaces are bright polished.
- 2) Angle: 0°
- 3) Total surface mount. No clearance hole in the body required.

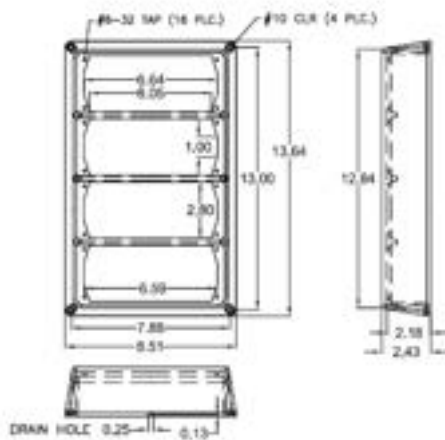
LH37106



LH37106 Triple Light Housing (Weldon 3" x 7" Light)

- 1) Finish: All exterior surfaces are bright polished.
- 2) Angle: 0°
- 3) Total surface mount. No clearance hole in the body required.
- 4) Will function only with the Weldon 3" x 7" Light.

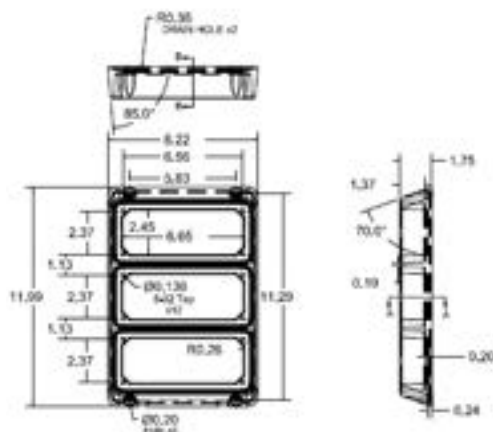
LH37107



LH37107 Quad Light Housing (Weldon 3" x 7" Light)

- 1) Finish: All exterior surfaces are bright polished.
- 2) Angle: 0°
- 3) Total surface mount. No clearance hole in the body required.
- 4) Will function only with the Weldon 3" x 7" Light.

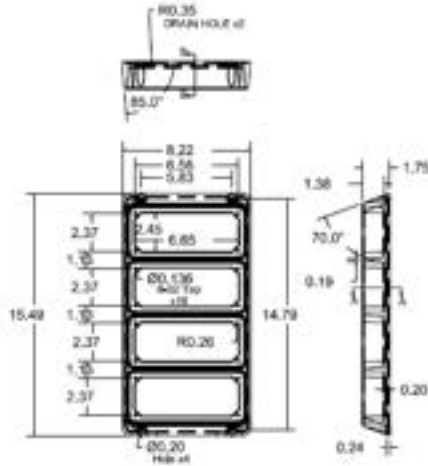
LH37108



LH37108 Triple Light Housing (Code 3 3" x 7" LED Light)

- 1) Finish: All exterior surfaces are bright polished.
- 2) Angle: 0°
- 3) Total surface mount. No clearance hole in the body required.
- 4) Will function only with the Code 3 - 3" x 7" LED Light

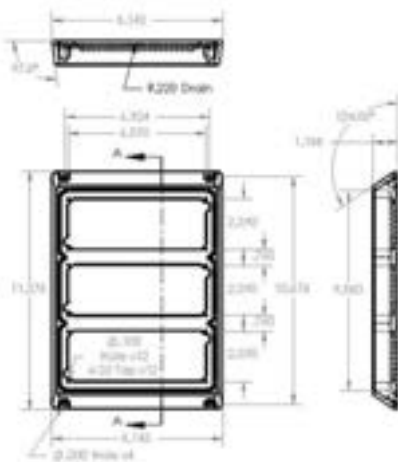
LH37109



LH37109 Triple Light Housing (Code 3 3" x 7" LED Light)

- 1) Finish: All exterior surfaces are bright polished.
- 2) Angle: 0°
- 3) Total surface mount. No clearance hole in the body required.
- 4) Will function only with the Code 3 - 3" x 7" LED Light

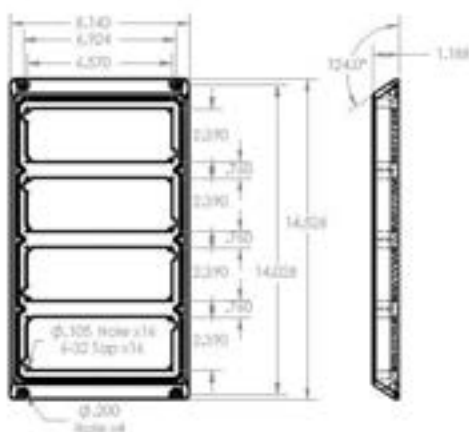
LH37110



LH37110 Triple Light Housing - 0d. - for 3" x 7" LED Lights

- 1) Finish: polished exterior.
- 2) For Whelen 3" x 7" LED Lights only.
- 3) Uses RG0061 Gasket (optional).

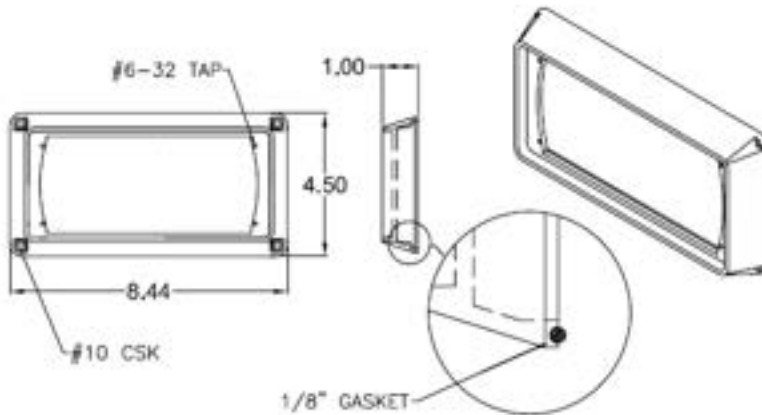
LH37111



LH37111 Quad Light Housing - 0d. - for 3" x 7" LED Lights

- 1) Finish: polished exterior.
- 2) For Whelen 3" x 7" LED Lights only.
- 3) Uses RG0062 Gasket (optional).

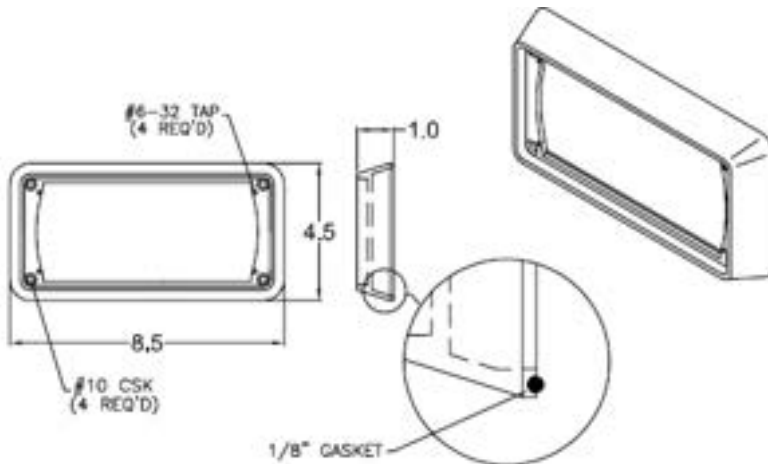
LH37201



LH37201 Light Housing (3" x 7" Light)

- 1) Finish: All exterior surfaces are bright polished or 120 grit ground.
- 2) Angle: 0°
- 3) Clearance hole for reflector required in the body.
- 4) 1/8" cord gasket to seal housing to the body (optional: customer please specify).

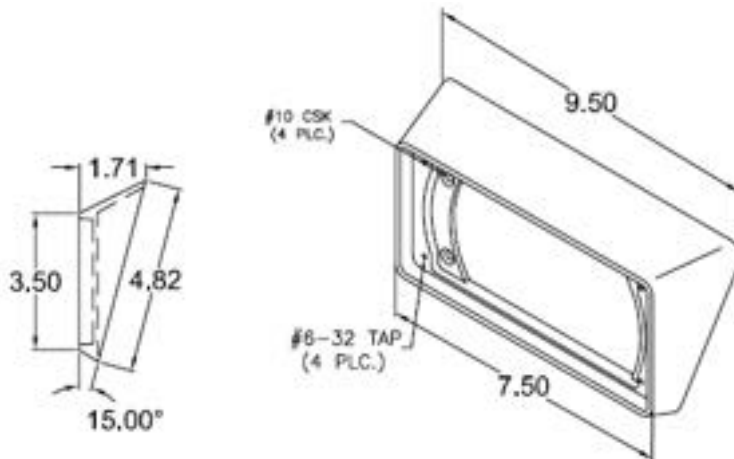
LH37202



LH37202 Light Housing (3" x 7" Light)

- 1) Finish: All exterior surfaces are bright polished or 120 grit ground.
- 2) Angle: 0°
- 3) Clearance hole for reflector required in the body.
- 4) Concealed mounting hardware.

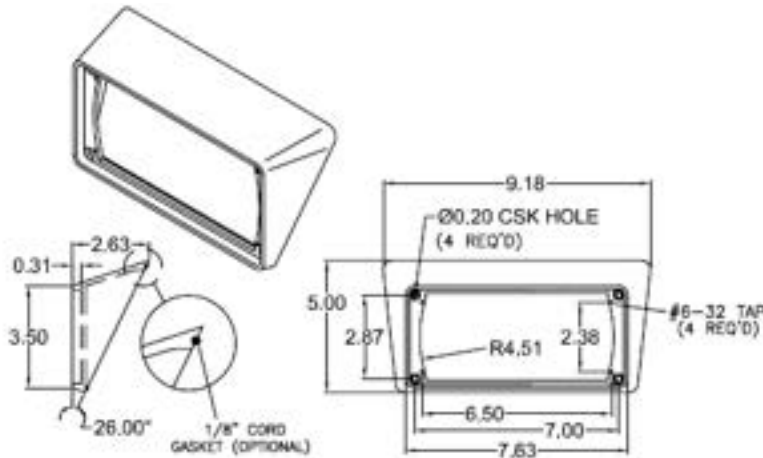
LH37203



LH37203 Light Housing (3" x 7" Light)

- 1) Finish: All exterior surfaces are bright polished or 120 grit ground.
- 2) Angle: 15°
- 3) Clearance hole for reflector required in the body.
- 4) Concealed mounting hardware.

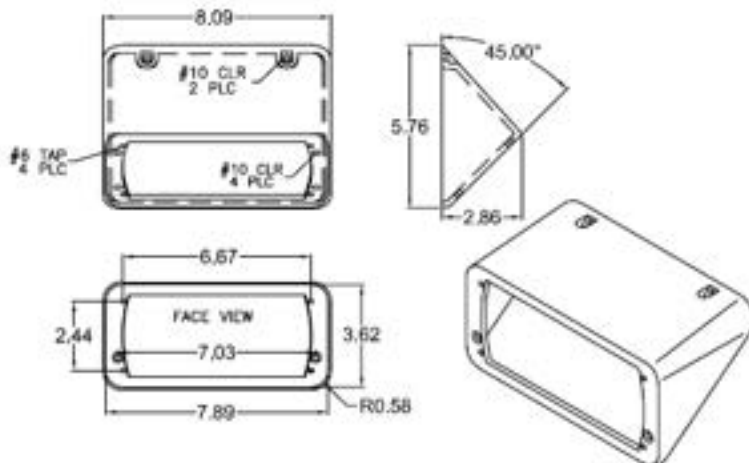
LH37205



LH37205 Light Housing (3" x 7" Light)

- 1) Finish: All exterior surfaces are bright polished or 120 grit ground.
- 2) Angle: 26°
- 3) Clearance hole for reflector required in the body.
- 4) 1/8" cord gasket to seal housing to the body (optional: customer please specify).

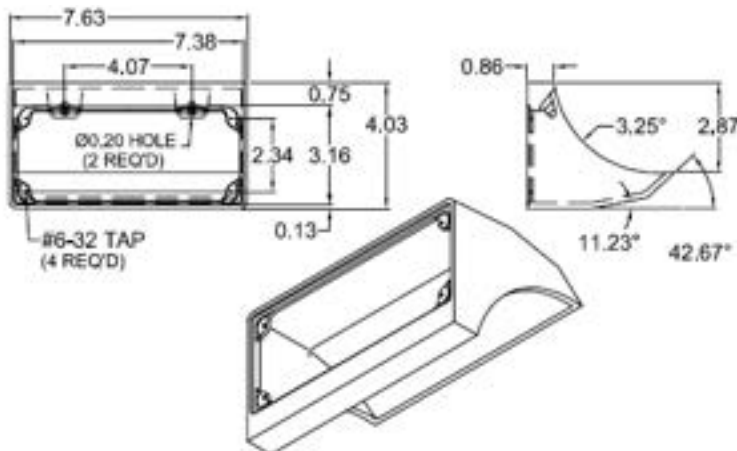
LH37206



LH37206 Light Housing (3" x 7" Light)

- 1) Finish: All exterior surfaces are bright polished or 120 grit ground.
- 2) Angle: 45°
- 3) Clearance hole for reflector required in the body.

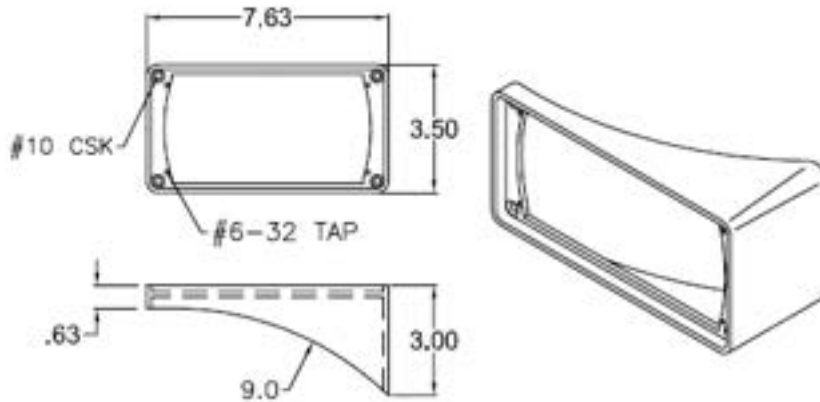
LH37208



LH37208 Roof Rail Mount Light Housing (3" x 7" Light)

- 1) Finish: All exterior surfaces are bright polished.
- 2) Designed to fit the approximate 3.25" radius used on some firetrucks.

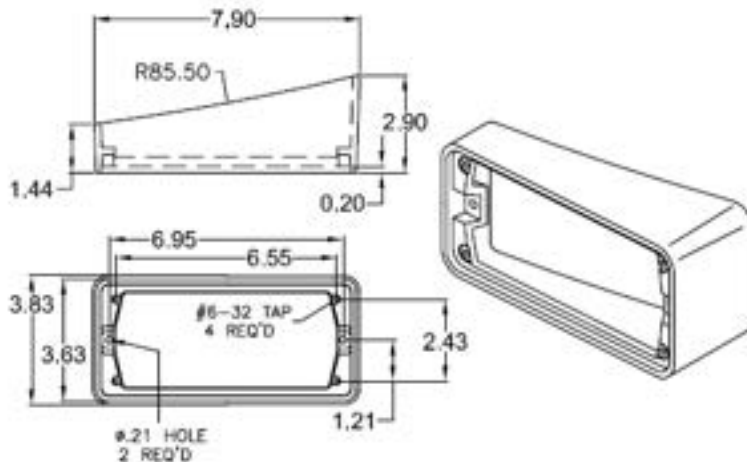
LH37209



LH37209 Light Housing (3" x 7" Light)

- 1) Finish: All exterior surfaces are bright polished.
- 2) Designed to fit the approximate 9" radius used on some firetrucks.

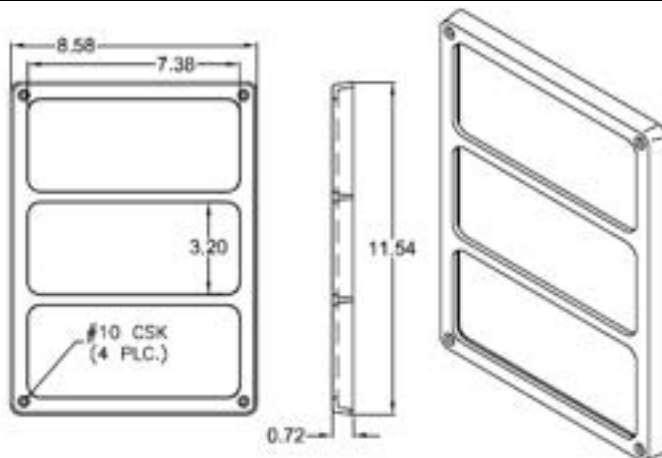
LH37210



LH37210 Light Housing (3" x 7" Light)

- 1) Finish: All exterior surfaces are bright polished.
- 2) Designed to fit the 85.50" radius used on some firetrucks.

LH37213



LH37213 Triple Light Housing (3" x 7" Light)

- 1) Finish: All exterior surfaces are bright polished.
- 2) Angle: 0°

LH37227 LH37228

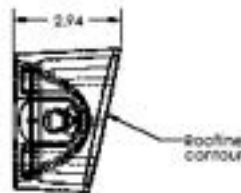
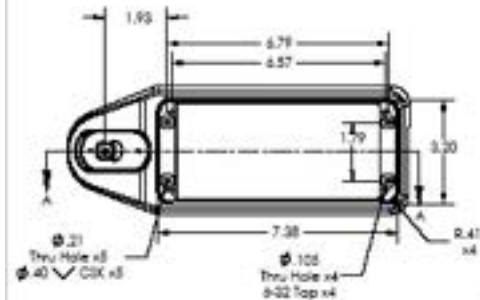
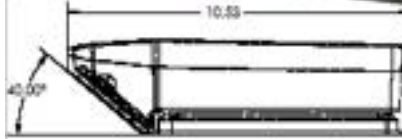


**LH37227 & LH37228
Rear 3x7 LED & Marker Light
Housings (2008 Dodge Sprinter)**

- 1) Finish: Polished
- 2) For Whelen 3x7 LED
- 3) LH37227 Rear Driver Side Shown
- 3) LH37228 Rear Passenger Side is opposite
- 4) For '08 Dodge Sprinter - side scene lights and standard LED marker light.



LH37229 LH37230



**LH37229-1 & LH37230-1
Front 3x7 LED (700 Scene) & Marker Lt
Housings ('08 -'09 Dodge Sprinter)**

- 1) Finish: Polished Exterior
- 2) For Whelen 3x7 700 Scene LED only (no cutting roof for clearance hole)
- 3) LH37229-1 Front-Driver side (shown)
- 3) LH37230-1 Front-Passenger side is opposite
- 4) For '08 - '09 Dodge Sprinter - side scene lights & 700 series Scene LED marker light.

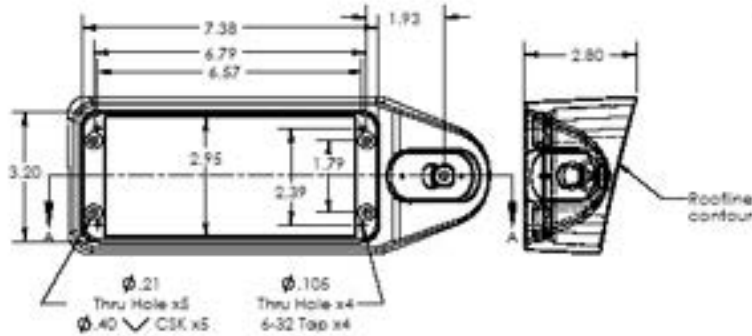


LH37231 LH37232



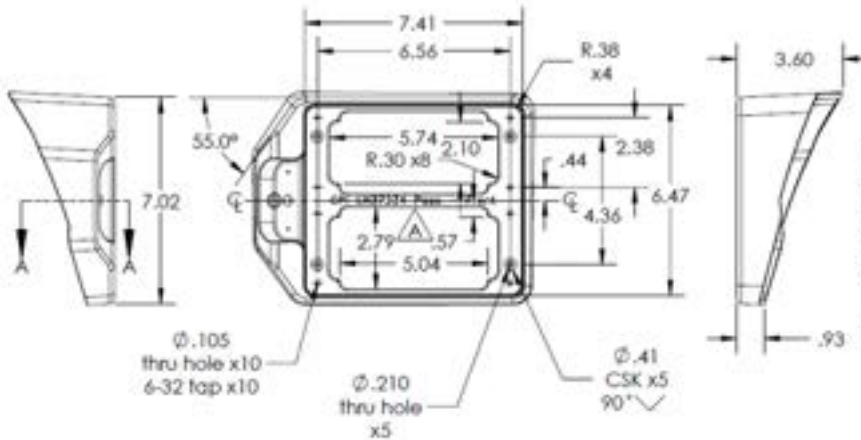
LH37231-1 & LH37232-1 Rear 3x7 LED (700 Scene) & Marker Lt Housings ('08 -'09 Dodge Sprinter)

- 1) Finish: Polished Exterior
- 2) For Whelen 3x7 700 Scene LED only (no cutting roof for clearance hole)
- 3) LH37229-1 Rear-Driver side (shown)
LH37230-1 Rear-Passenger side is opposite
- 4) For '08 - '09 Dodge Sprinter - side scene lights & 700 series Scene LED marker light.



LH37233 LH37234

LH37233-1 & LH37234-1
Front, Dual 3x7 Weldon Diamondback
LED Lts & Single Marker Light Housing
(2008-11 Dodge Sprinter)



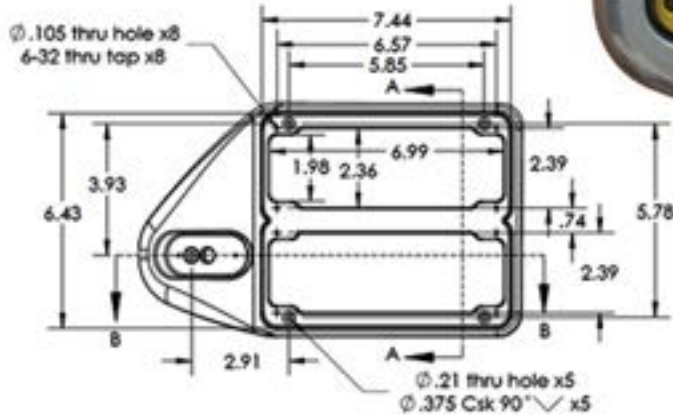
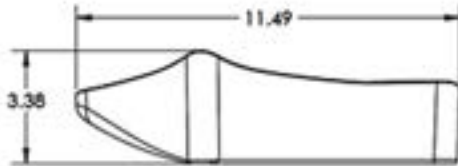
- 1) Finish: Polished Exterior
- 2) For 3x7 Weldon Diamondback LED Lts & Single Marker Light (no cuttingroof for clearance hole)
- 3) LH37233-1 Front-Driver side (opposite)
LH37234-1 Front-Passenger side (shown).
- 4) For '08 - '11 Dodge Sprinter.

LH37237 LH37238

1. Finish: polished exterior surfaces.
2. For **Medium Roof** only, 2015 Ford Transit Cargo Van.
3. Combination 3x7 3x7 & Marker Light Light Housings: Front Driver and Passenger.

LH37237-1 & LH37238-1 Driver/Passenger - Front/Side, Dual 3x7 Weldon LED Lts & Single Marker Light Housing (2015 Ford Transit Cargo Van - Medium Roof)

LH37237-1	Driver - Front on Medium Roof (shown)
LH37238-1	Passenger - Front on Medium Roof

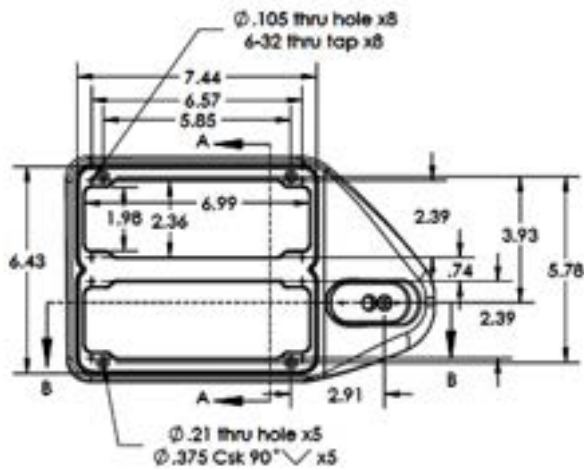
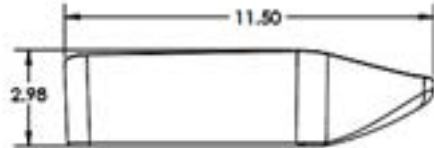


LH37239 LH37240

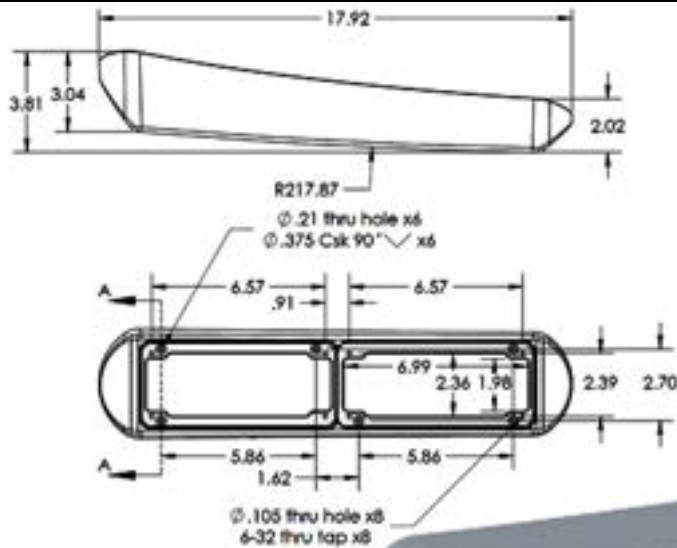
1. Finish: polished exterior surfaces.
2. For **Medium Roof** only, 2015 Ford Transit Cargo Van.
3. Combination 3x7 3x7 & Marker Light Housings: Rear Driver and Passenger.

LH37239-1 & LH37240-1 Driver/Passenger - Rear/Side, Dual 3x7 Weldon LED Lts & Single Marker Light Housing (2015 Ford Transit Cargo Van - Medium Roof)

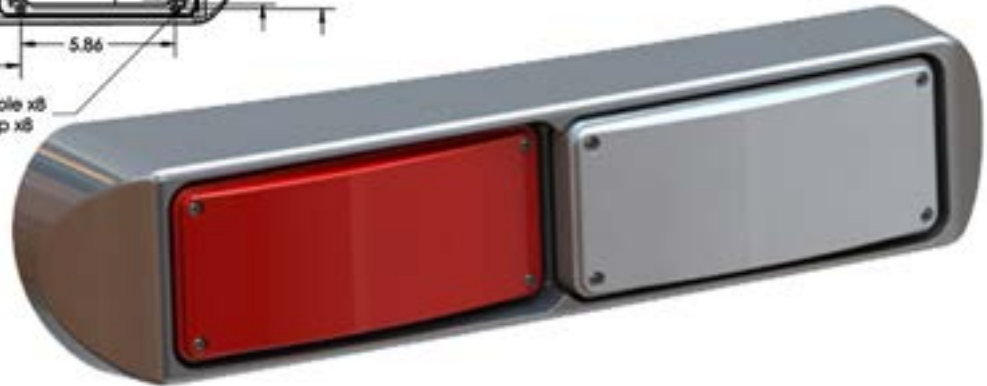
LH37239-1	Driver - Rear on Medium Roof (shown)
LH37240-1	Passenger - Rear on Medium Roof



LH37241 LH37242



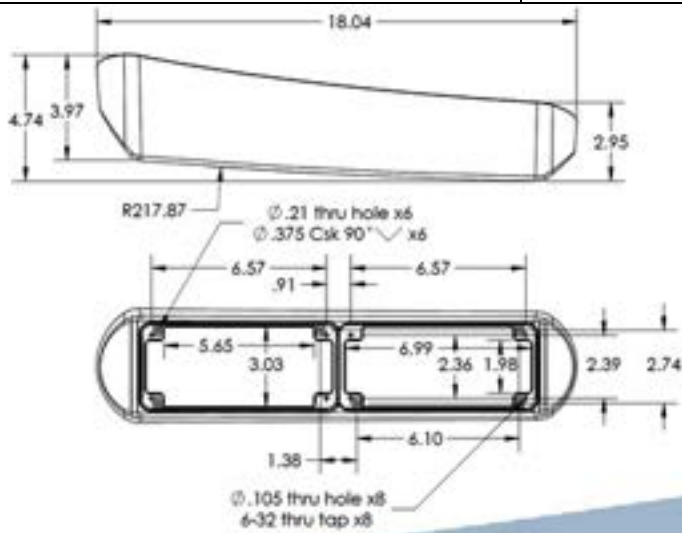
LH37241-1 & LH37242-1
Driver/Passenger - Rear, Dual 3x7 LED
Lights (2015 Ford Transit Cargo Van -
Medium Roof)



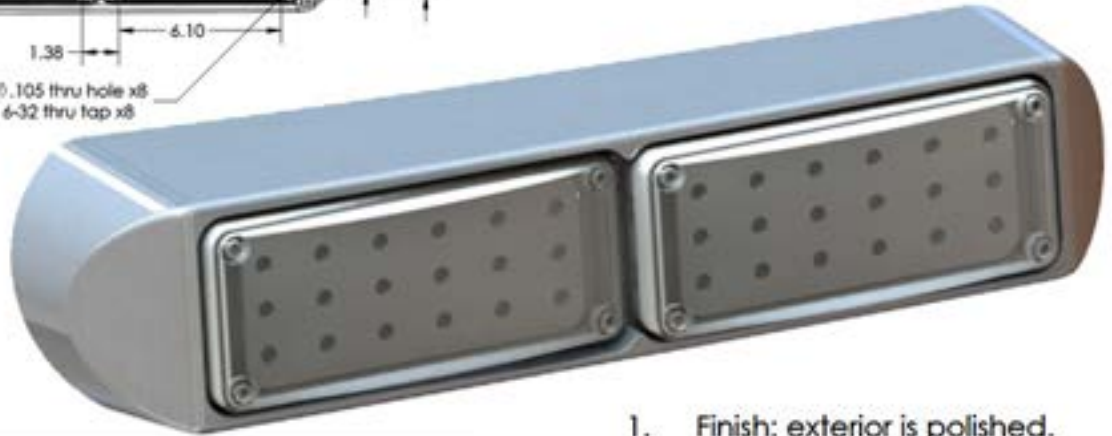
LH37241-1	Driver - Rear, Dual 3x7 LED Lights (Medium Roof) shown.
LH37242-1	Passenger - Rear, Dual 3x7 LED Lights (Medium Roof)

1. Finish: exterior is polished.
2. For mounting Dual 3x7 Lights on rear doors of 2015 Ford Transit Cargo Van - **Medium Roof**).

LH37243 LH37244



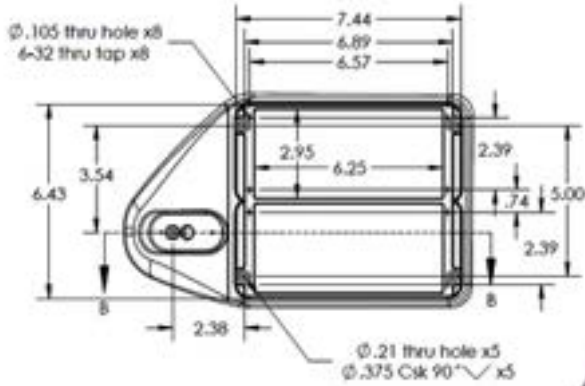
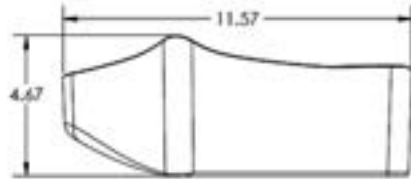
**LH37243-1 & LH37244-1
Driver/Passenger - Rear, Dual 3x7 700
Series Scene Lights (2015 Ford Transit
Cargo Van - Medium Roof)**



LH37243-1	Driver - Rear, Dual 3x7 700 Series Scene Lights (Medium Roof) shown.
LH37244-1	Passenger - Rear, Dual 700 Series Scene LED Lights (Medium Roof)

1. Finish: exterior is polished.
2. For mounting Dual or Single 3x7 700 Series Scene Lights on rear doors of 2015 Ford Transit Cargo Van - **Medium Roof**.

LH37245 LH37246



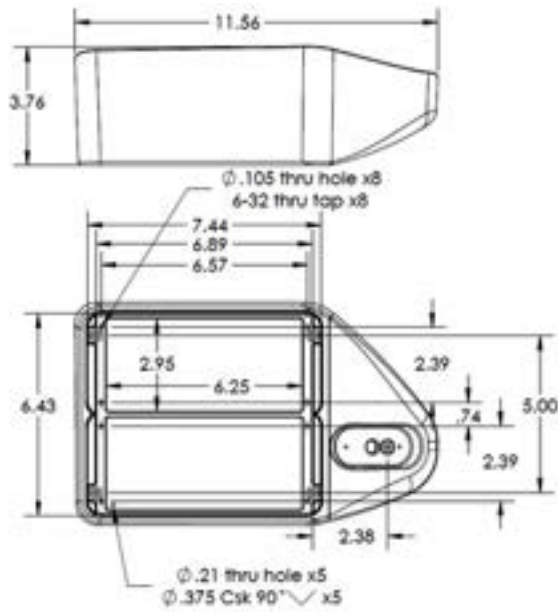
LH37245-1 & LH37246-1
 Driver/Passenger - Front/Side, Dual 3x7
 700 Series Scene Lts & Single Marker
 Light Housing (2015 Ford Transit Cargo
 Van - Medium Roof)



1. Finish: polished exterior surfaces.
2. For **Medium Roof** only, 2015 Ford Transit Cargo Van.
3. Combination 3x7 3x7 & Marker Light Housings: Front Driver and Passenger, for **700 Series Scene** LED Lights.

LH37245-1	Driver - Front on Medium Roof (shown)
LH37246-1	Passenger - Front on Medium Roof

LH37247 LH37248



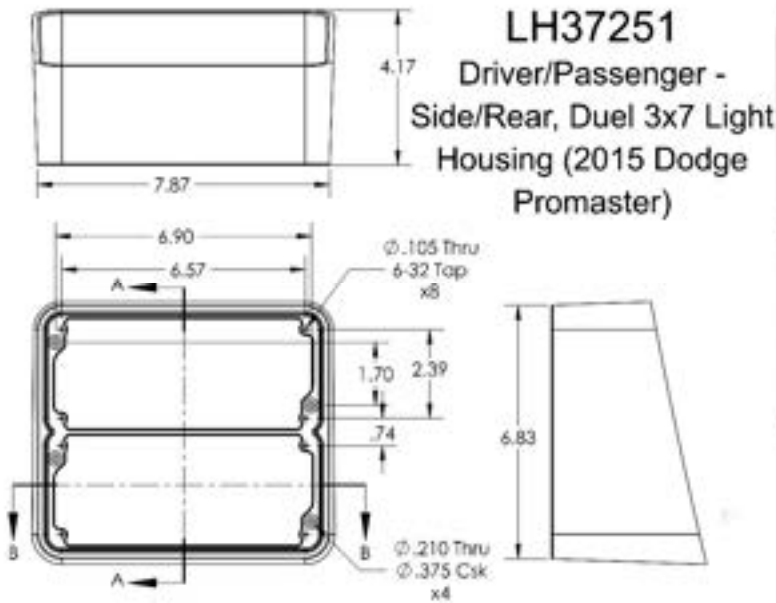
LH37247-1 & LH37248-1
Driver/Passenger - Rear/Side, Dual 3x7
700 Series Scene Lts & Single Marker
Light Housing (2015 Ford Transit Cargo
Van - Medium Roof)



1. Finish: polished exterior surfaces.
2. For **Medium Roof** only, 2015 Ford Transit Cargo Van.
3. Combination 3x7 3x7 & Marker Light Housings: Rear Driver and Passenger, for **700 Series Scene** LED Lights.

LH37247-1	Driver - Rear on Medium Roof (shown)
LH37248-1	Passenger - Rear on Medium Roof

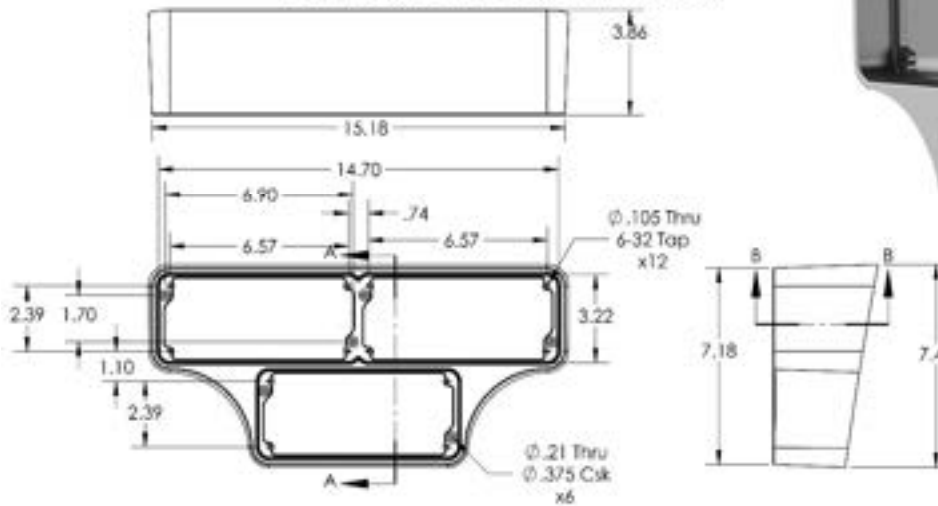
LH37251



1. Finish: (-1) Polished exterior.
2. Duel 3x7 light housing, side/rear mount on Driver or Passenger side (2015 Dodge Promaster)

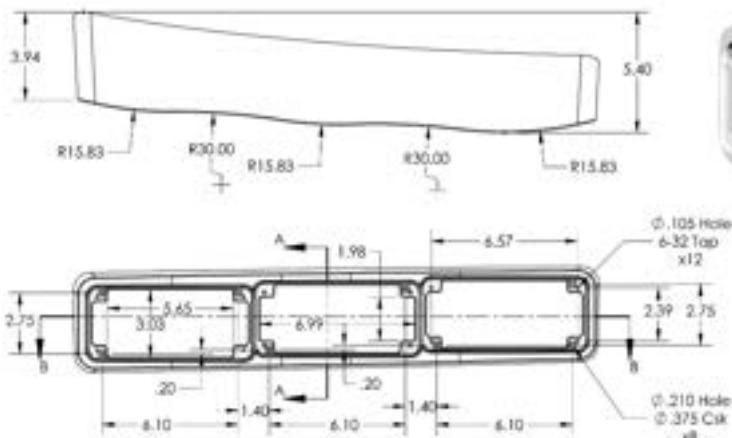
LH37252

LH37252
Driver/Passenger - Rear, Triple 3x7 Light
Housing (2015 Dodge Promaster)



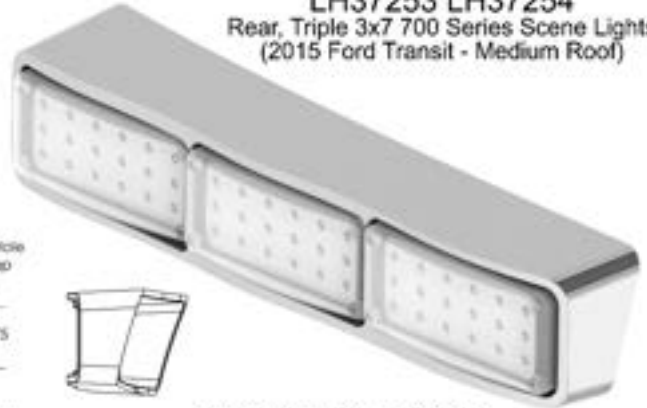
1. Finish: (-1) Polished exterior.
2. Triple 3x7 light housing for Driver or Passenger rear doors (2015 Dodge Promaster)

LH37253 LH37254



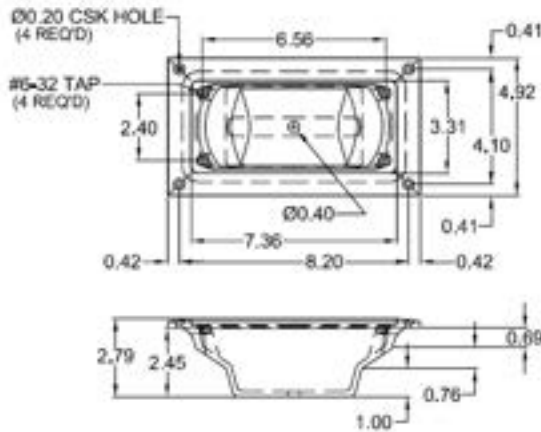
LH37253 LH37254

Rear, Triple 3x7 700 Series Scene Lights
(2015 Ford Transit - Medium Roof)



1) Finish: (-1) Polished exterior.

LH37301

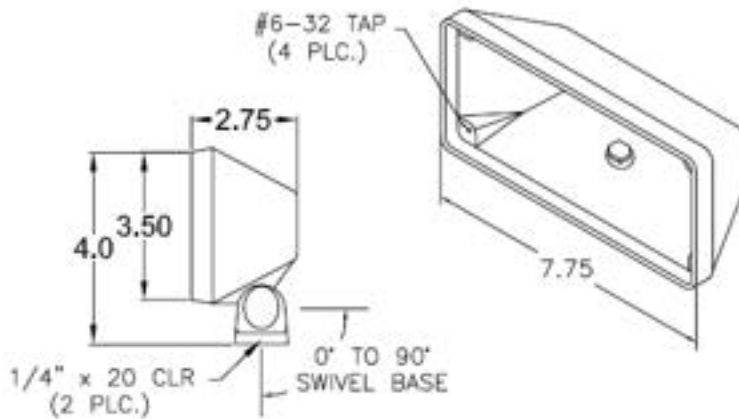


LH37301

Recessed Light Housing (3" x 7" Light)

- 1) Finish: All exterior surfaces are bright polished.
- 2) Angle: 0°
- 3) Designed for the Tomar Halogen Light utilizing an enclosed back casting.

LH37501

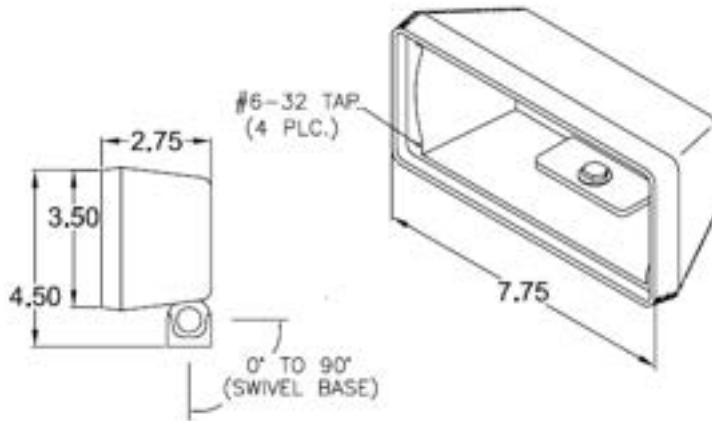


LH37501

Bumper Mount Light Housing (3" x 7" Light)

- 1) Finish: All exterior surfaces are bright polished or 120 grit ground.
- 2) Mounting Angle: between 0° and 90°.

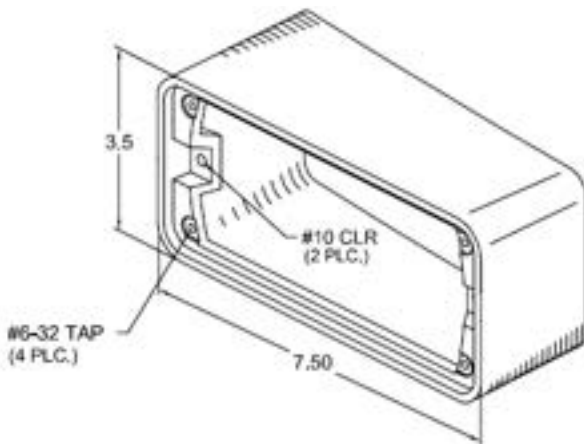
LH37502



LH37502
Bumper Mount Light Housing (3" x 7" Light)

- 1) Finish: All exterior surfaces are bright polished or 120 grit ground.
- 2) Mounting Angle: between 0° and 90°.
- 3) Fits the Whelen 73 Series Light.

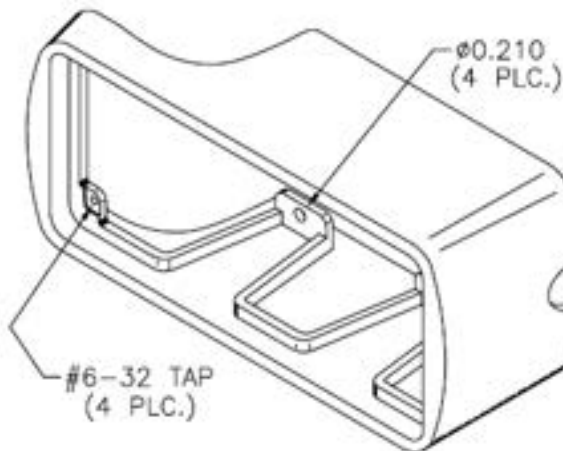
LH37607



LH37607
Grille Mount Light Housing (3" x 7" Light)

- 1) Finish: All exterior surfaces are bright polished.
- 2) Parts mount to the face of the grille without cutting, drilling, or damaging the grille.
- 3) Mounts with an included backplate, from the backside of the grille.
- 4) For the 1994 & up Dodge D350 Truck Cab.

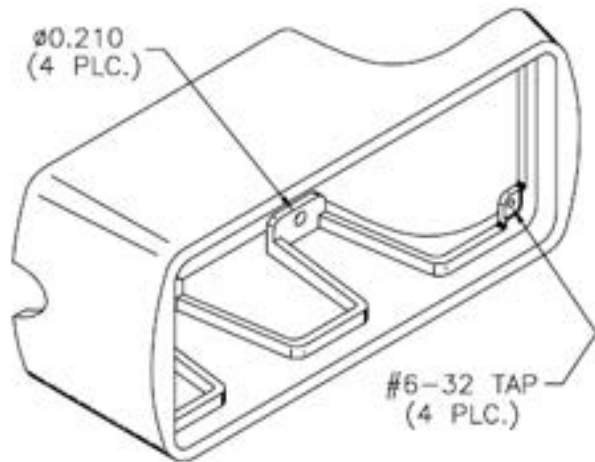
LH37611



LH37611
Grille Mount Light Housing (3" x 7" Light)

- 1) Finish: All exterior surfaces are bright polished.
- 2) Angle: 0°
- 3) Mounts in the outboard openings of the grille on the 1997 Ford vans (Passenger Side).
- 4) Mounting bracket not shown.

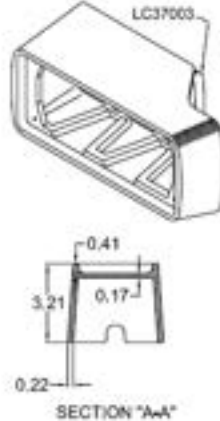
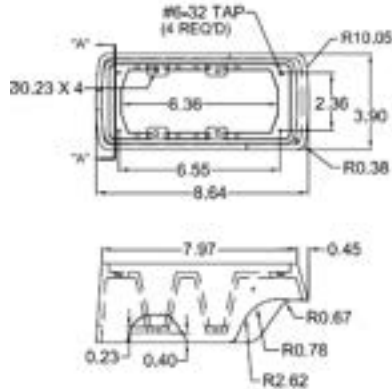
LH37612



LH37612 Grille Mount Light Housing (3" x 7" Light)

- 1) Finish: All exterior surfaces are bright polished.
- 2) Angle: 0°
- 3) Mounts in the outboard openings of the grille on the 1997 Ford vans (Driver Side).
- 4) Mounting bracket not shown.

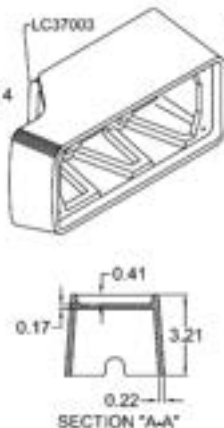
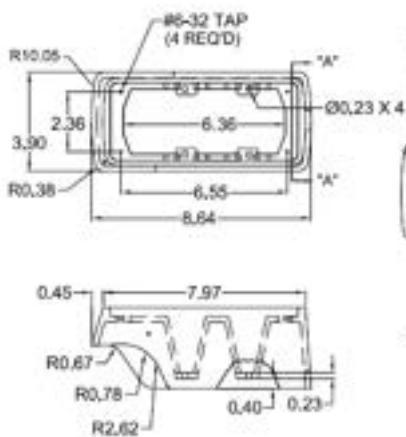
LH37620



LH37620 Grille Mount Light Housing (3" x 7" Light)

- 1) Finish: All exterior surfaces are bright polished.
- 2) Angle: 0°
- 3) Mounts in the grille on the 1999 Ford E350 Van (Passenger Side).

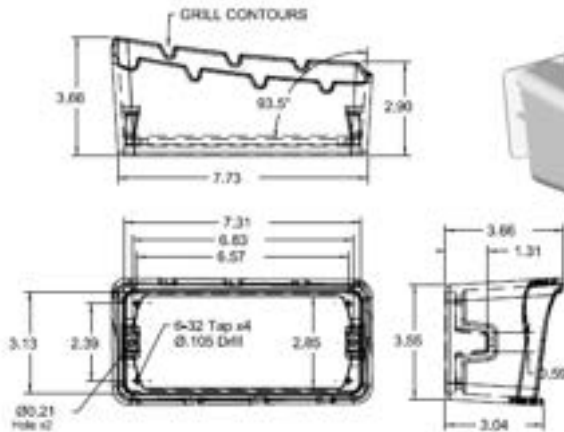
LH37621



LH37621 Grille Mount Light Housing (3" x 7" Light)

- 1) Finish: All exterior surfaces are bright polished.
- 2) Angle: 0°
- 3) Mounts in the grille on the 1999 Ford E350 Van (Driver Side).

LH37630

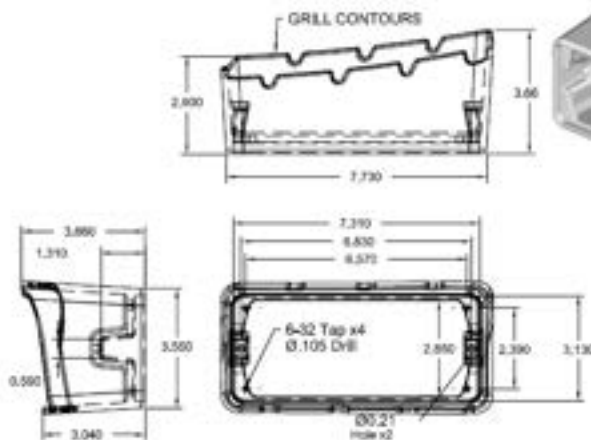


LH37630

**Passenger - 3" x 7"
Light - Grille Mnt Lt
Housing (2002
International 4300)**

- 1) Finish: polished.
- 2) Designed for use with a 3" x 7" Light on the 2002-05 International 4300 4400.

LH37631

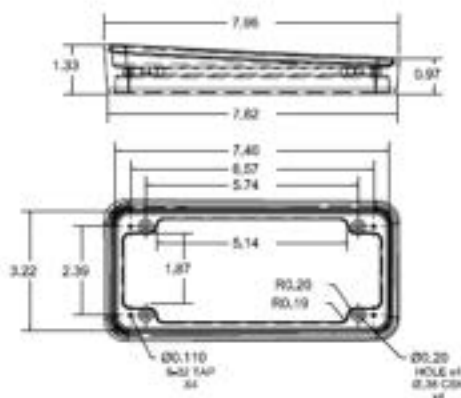


LH37631

**Driver - 3" x 7"
Light - Grille Mnt Lt
Housing (2002
International 4300)**

- 1) Finish: polished.
- 2) Designed for use with a 3" x 7" Light on the 2002-05 International 4300 4400.

LH37632

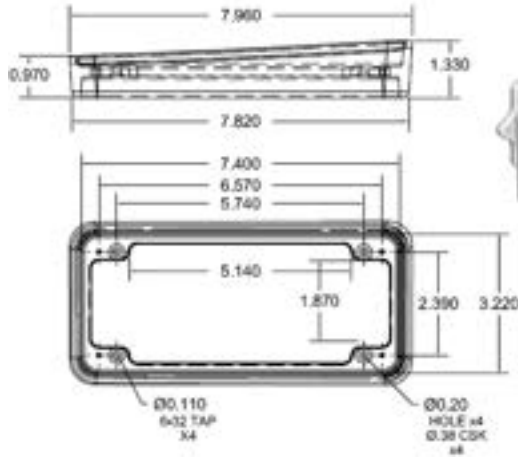


LH37632

**Grille Mount Lt Hsg
- 3" x 7" LED - 2003
Chevy C4500 (Fixed
Grille) - Pass**

- 1) Finish: polished.
- 2) Designed for use with a 3" x 7" Light on the 2003-05 Chevy C4500 (Fixed Grille).

LH37633

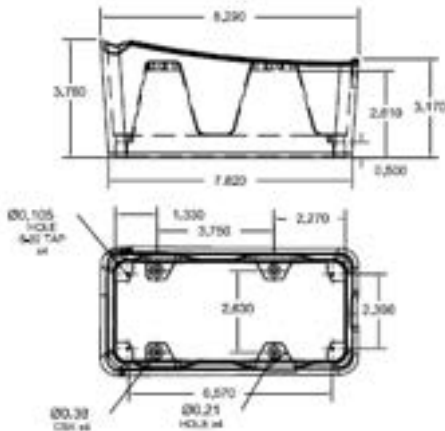


LH37633

**Grille Mount Lt Hsg
- 3" x 7" LED - 2003
Chevy C4500 (Fixed
Grille) - Driver**

- 1) Finish: polished.
- 2) Designed for use with a 3" x 7" Light on the 2003-05 Chevy C4500 (Fixed Grille).

LH37638

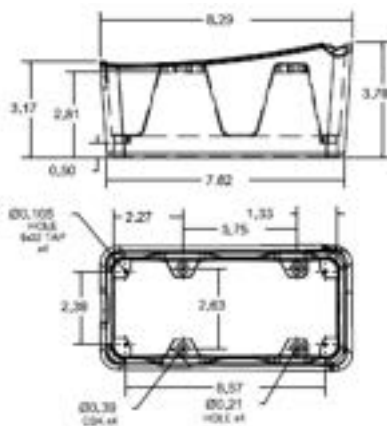


LH37638

**Grille Mount Lt Hsg - 3" x 7"
2003 Ford E350, E450, E550
Van - Pass**

- 1) Finish: polished.
- 2) Designed for use as a Grille Mount Lt Hsg - 3" x 7" - 2003 Ford E350, E450, E550 Van.

LH37639

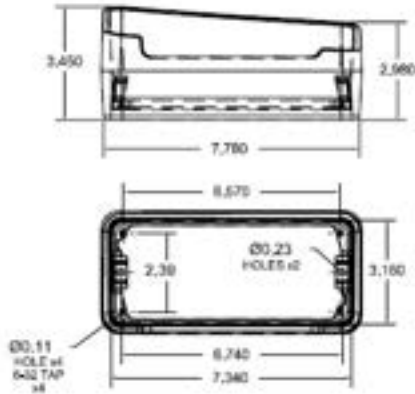


LH37639

**Grille Mount Lt Hsg - 3" x 7"
2003 Ford E350, E450, E550
Van - Driver**

- 1) Finish: polished.
- 2) Designed for use as a Grille Mount Lt Hsg - 3" x 7" - 2003 Ford E350, E450, E550 Van.

LH37640

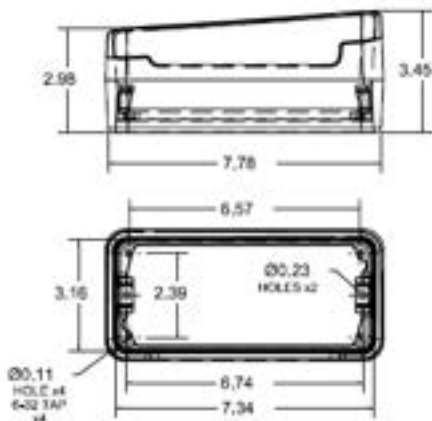


LH37640

**Grille Mount Lt Hsg - 3" x 7" -
2003 Chevy G3500 Van - Pass
(2004 C3500)**

- 1) Finish: polished.
- 2) Designed for use as a Grille Mount Lt Hsg - 3" x 7" - 2003 Chevy G3500 Van - Pass (2004 C3500)

LH37641

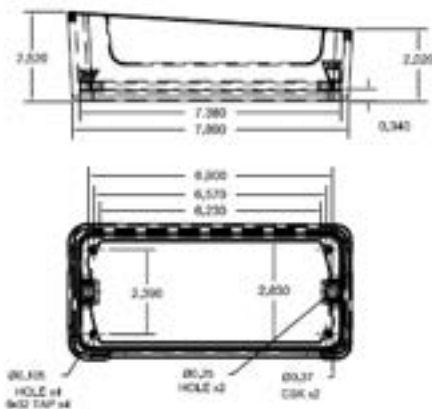


LH37641

**Grille Mount Lt Hsg - 3" x 7" -
2003 Chevy G3500 Van - Driv
(2004 C3500)**

- 1) Finish: polished.
- 2) Designed for use as a Grille Mount Lt Hsg - 3" x 7" - 2003 Chevy G3500 Van - Driv (2004 C3500)

LH37642

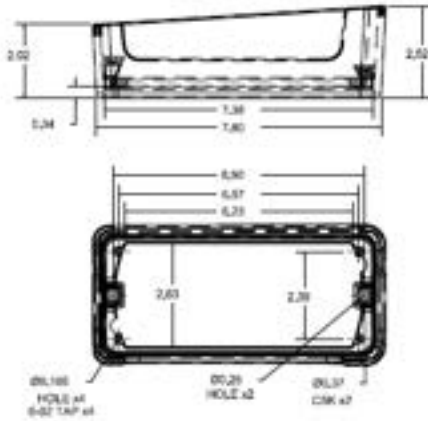


LH37642

**Grille Mount Lt Hsg - 3" x 7" -
2003-05 Freightliner M2 - Pass**

- 1) Finish: polished.
- 2) Designed for use as a Grille Mount Lt Hsg - 3" x 7" - 2003-05 Freightliner M2 - Pass

LH37643

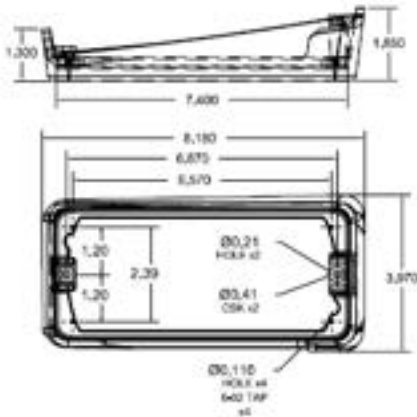


LH37643

**Grille Mount Lt Hsg - 3" x 7" -
200305 Freightliner M2 - Driv**

- 1) Finish: polished.
- 2) Designed for use as a Grille Mount Lt Hsg - 3" x 7" - 200305 Freightliner M2 - Driv

LH37646

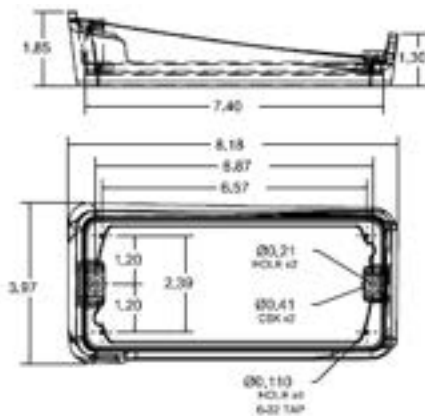


LH37646

**Driver side, 3" x 7" 2005
Ford F350 SD (F Series)
Grille Mount Hsg**

- 1) Finish: polished.
- 2) Designed for use as a Driver side, 3" x 7" 2005 Ford F350 SD (F Series) Grille Mount Hsg

LH37647

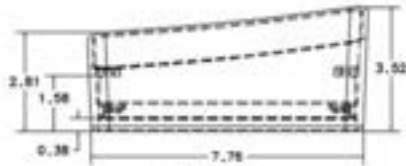


LH37647

**Passenger side, 3" x 7" 2005
Ford F350 SD (F Series)
Grille Mount Hsg**

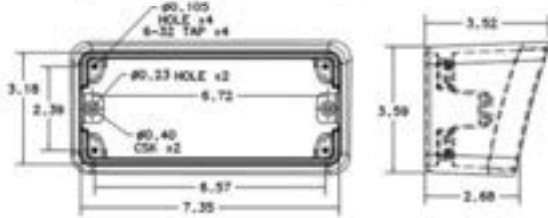
- 1) Finish: polished.
- 2) Designed for use as a Passenger side, 3" x 7" 2005 Ford F350 SD (F Series) Grille Mount Hsg

LH37650 LH37651

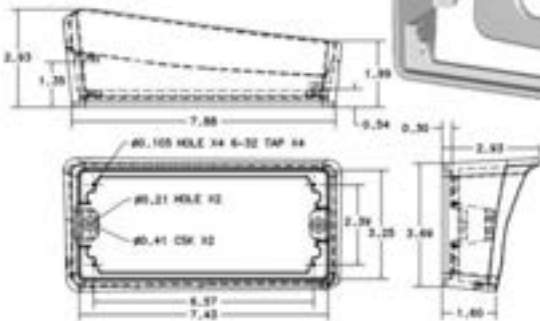


LH37650 and LH37651 Grille Mount Housings for 2006-07 Chevy G3500

- 1) Finish: polished exterior.
- 2) LH37650 Driver Side.
LH37651 Passenger Side.
- 3) For 3" X 7" Lights.



LH37656 LH37657

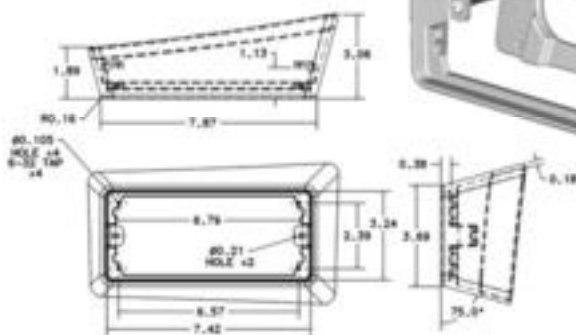


LH37656 and LH37657 Grille Mount Housings for 2007-08 Chevy C,K3500 HD

- 1) Finish: polished exterior.
- 2) LH37656 Driver Side.
LH37657 Passenger Side.
- 3) For 3" X 7" Lights.



LH37658 LH37659

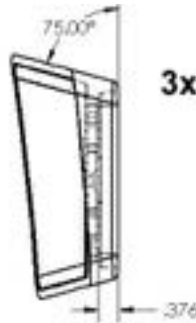
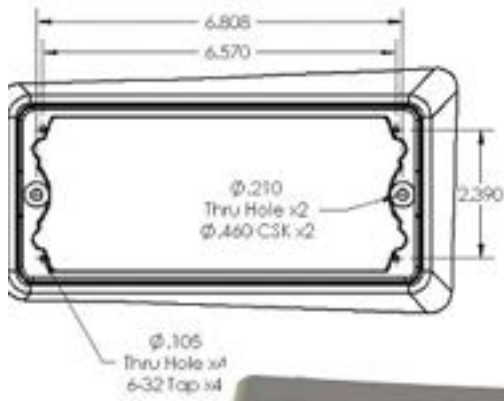


LH37658 and LH37659 Grille Mount Housings for 2007-08 International 4300

- 1) Finish: polished exterior.
- 2) LH37658 Driver Side.
LH37659 Passenger Side.
- 3) For 3" X 7" Lights.



LH37662 LH37663

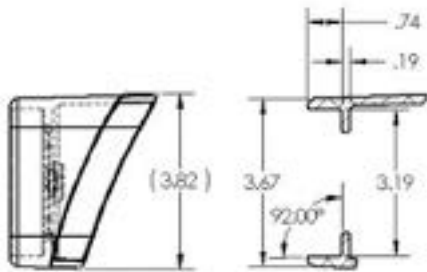
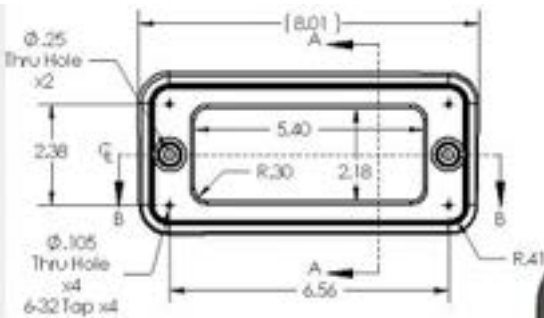


LH37662 & LH37663
3x7 LED 2008 International 4300 Grille
Mount Housings

- 1) Finish: Polished
- 2) LH37662 Driver Side Shown
- 3) LH37663 Passenger Side is opposite



LH37664 LH37665

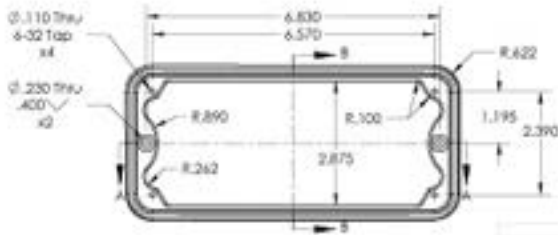
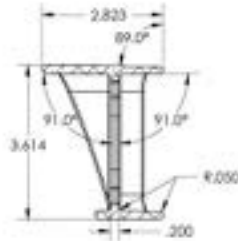


LH37664 & LH37665
Federal Signal 3x7 LED '08-'09 Chevy
G3500 Grille Mount Housings

- 1) Finish: Polished
- 2) LH37665 Passenger Side Shown
- 3) LH37664 Driver Side is opposite



LH37666 LH37667



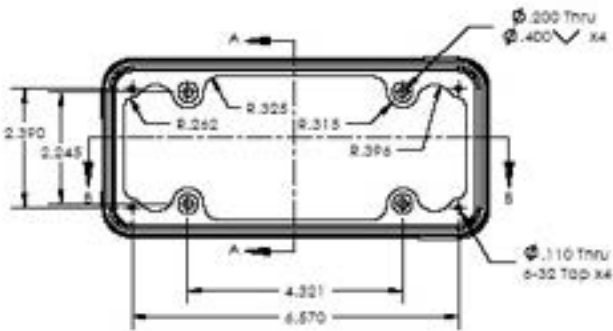
LH37666 & LH37667

Whelen 3x7 LED only -
'08-'09 Chevy G3500 Grille Mount Housings

- 1) Finish: Ball-burnished w/ Exterior Surface Polished
- 2) LH37667 Passenger Side Shown
- 3) LH37666 Driver Side is opposite



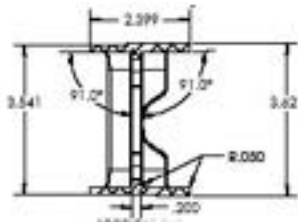
LH37668 LH37669



LH37668-1 & LH37669-1

Grille Mount Light Housing Assembly -
'04-'09 Dodge D3500 (Whelen 3x7 LED only)

- 1) Finish: Ball-burnished w/ Exterior Surfaces Polished
- 2) LH37668-1 Driver side (shown)
LH37669-1 Passenger side is opposite
- 3) Grille mount light housing for '04-'09 Dodge D3500
(Whelen 3x7 LED)

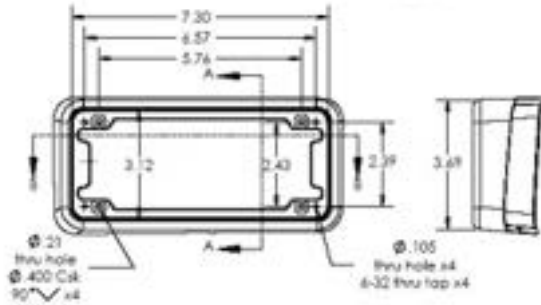


LH37670 LH37671



LH37670-1 & LH37671-1
Whelen 3x7 LED only - 2011 Ford F series
SD, Grille Mount Hsg Assembly

- 1) Finish: Ball-burnished w/ Exterior Surfaces Polished
- 2) LH37670-1 Passenger side (shown)
LH37671-1 driver side is opposite
- 3) Grille mount light housing for 2011 Ford F series SD (Whelen 3x7 LED only).

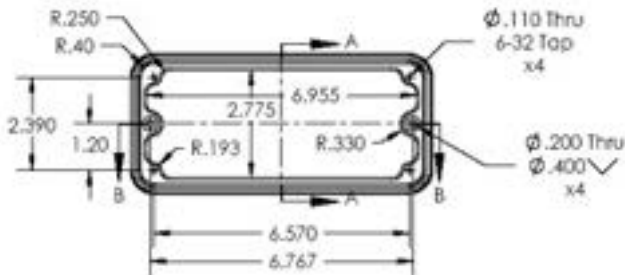


LH37672 LH37673



LH37672-1 & LH37673-1
Whelen 3x7 LED only - 2010 Dodge 3500
Truck Cab, Grille Mount Hsg Assembly

- 1) Finish: Ball-burnished w/ Exterior Surfaces Polished
- 2) LH37672-1 Passenger side (shown)
LH37673-1 driver side is opposite
- 3) Grille mount light housing for 2010 Dodge 3500 (Whelen 3x7 LED only).

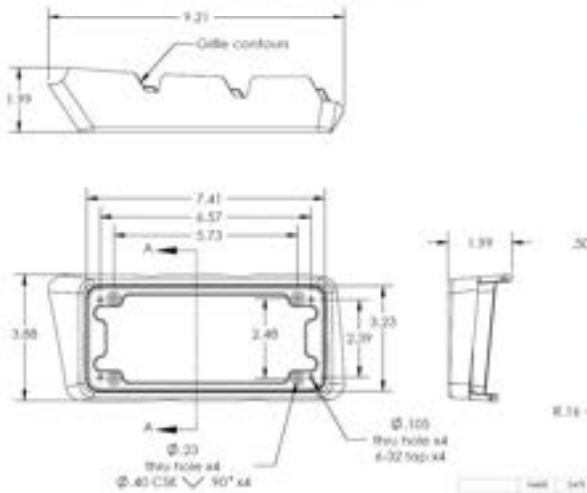


LH37674 LH37675

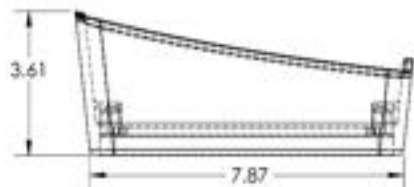


LH37674-1 LH37675-1
 Whelen 3x7 LED only -
 2011 International TerraStar
 Grille Mount Hsgs

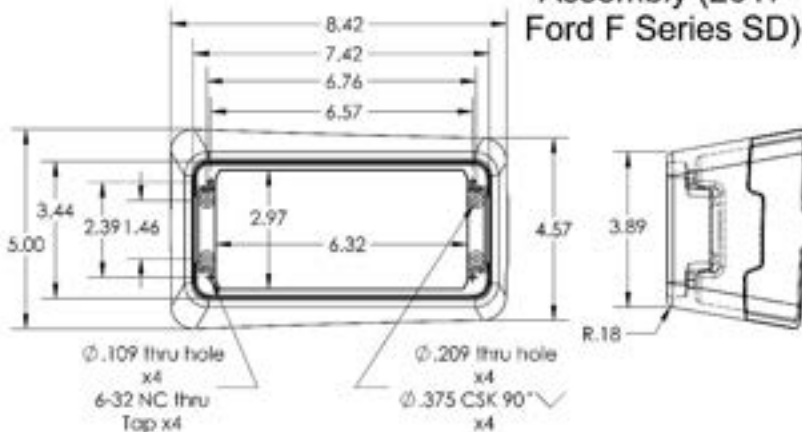
- 1) Finish: Polished exterior
- 2) For 3x7 LED only.
- 3) Grille mount 3x7 light housings for 2010 International TerraStar.



LH37676 LH37677

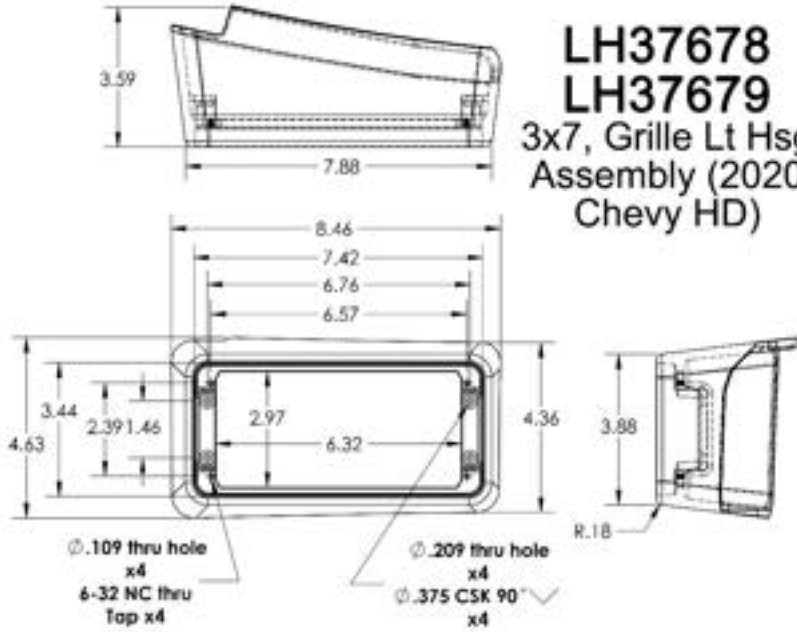


**LH37676
 LH37677**
 3x7, Grille Lt Hsg
 Assembly (2017
 Ford F Series SD)



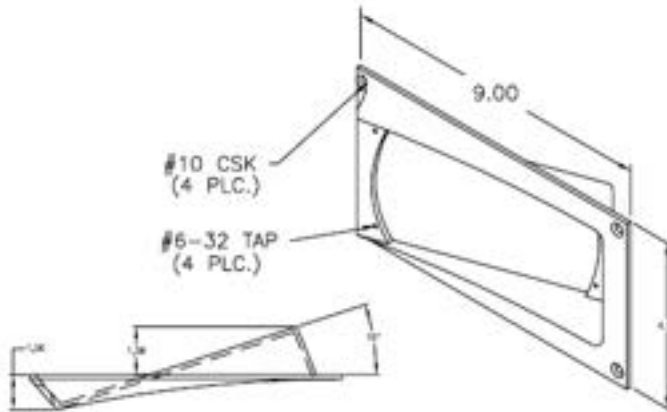
- 1) Finish: exterior surfaces are polished.
- 2) For 3x7, Grille Lt Hsg (2017 Ford F Series SD) (for Whelen 700 series, LED, Linear Strobe, Halogen, Scene and Weldon 3700 series Light).
- 3) 3x7 Grille Housing: works with both Grille Style Options.

LH37678 LH37679



1. Finish: exterior surfaces are polished.
2. For 3x7, Grille Lt Hsg (2020 Chevy HD) (for Whelen 700 series, LED and Halogen 700 series Light).

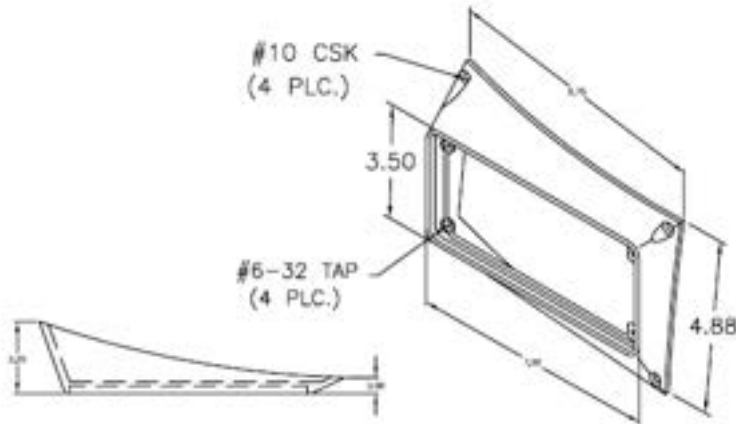
LH37701



LH37701
Intersection Light Housing
(3" x 7" Light)

- 1) Finish: All exterior surfaces are bright polished or 120 grit ground.
- 2) Angle: 15°
- 3) Mounts above the fender to "tilt-forward" the warning light toward the intersection.

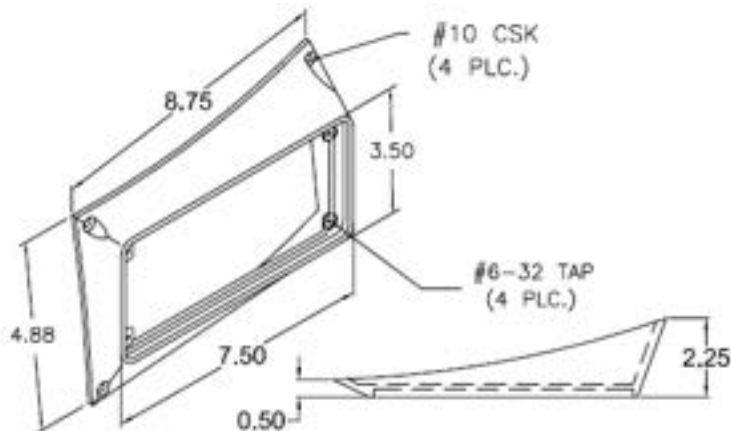
LH37702



LH37702 Intersection Light Housing (3" x 7" Light)

- 1) Finish: All exterior surfaces are bright polished.
- 2) Designed to mount an Intersection light on the front fender of the 1992 and up Ford E350 van (Passenger Side).
- 3) Tomar Strobe only (No Halogen Light).

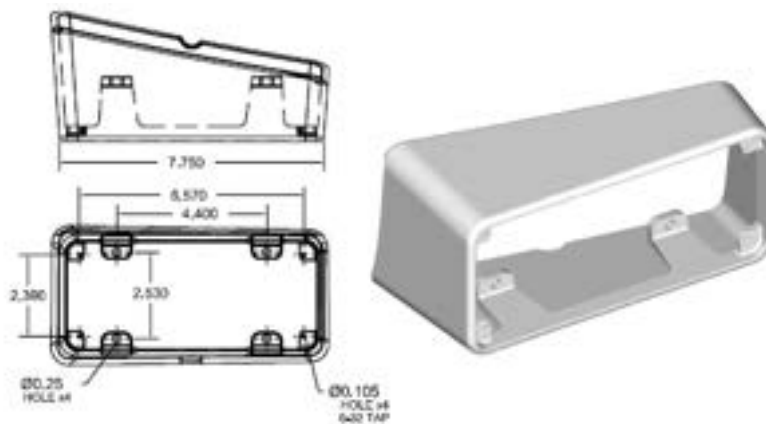
LH37703



LH37703 Intersection Light Housing (3" x 7" Light)

- 1) Finish: All exterior surfaces are bright polished.
- 2) Designed to mount an Intersection light on the front fender of the 1992 and up Ford E350 van (Driver Side).
- 3) Tomar Strobe only (No Halogen Light).

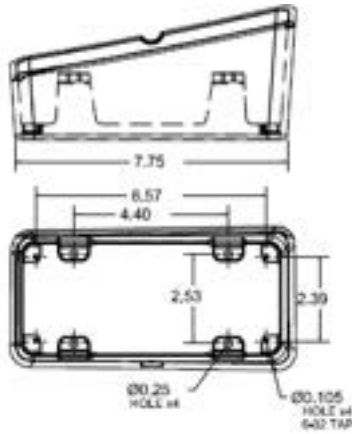
LH37712



LH37712 "Under-the-HeadLight" Housing (3" x 7" Light)

- 1) Finish: All surfaces are bright polished.
- 2) Angle: 0°
- 3) Mounts in the sheetmetal area directly below the headlights on the 1992-97 Ford Vans (Pass. Side).
- 4) Total surface mount. No clearance holes for the reflector required.

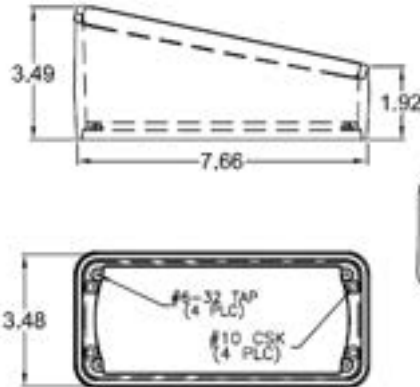
LH37713



LH37713 "Under-the-HeadLight" Housing (3" x7" Light)

- 1) Finish: All surfaces are bright polished.
- 2) Angle: 0°
- 3) Mounts in the sheetmetal area directly below the headlights on the 1992-97 Ford Vans (Driver Side).
- 4) Total surface mount. No clearance holes for the reflector required.

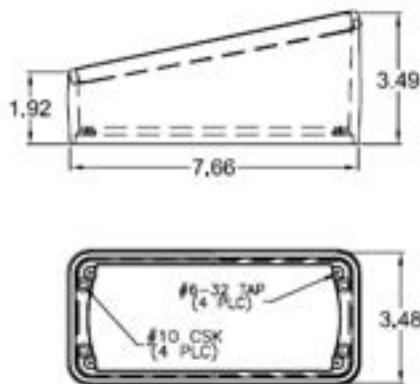
LH37722



LH37722 Intersection Light Housing (3" x7" Light)

- 1) Finish: All exterior surfaces are bright polished.
- 2) Angle: 15°
- 3) Mounts on the fender for an intersection light housing on the 1999 Ford F350 Super Duty (Passenger Side).

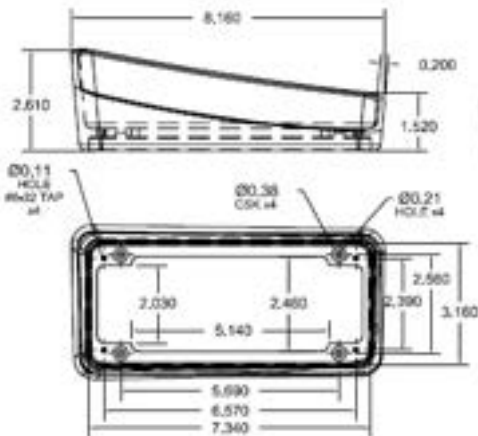
LH37723



LH37723 Intersection Light Housing (3" x7" Light)

- 1) Finish: All exterior surfaces are bright polished.
- 2) Angle: 15°
- 3) Mounts on the fender for an intersection light housing on the 1999 Ford F350 Super Duty (Driver Side).

LH37734

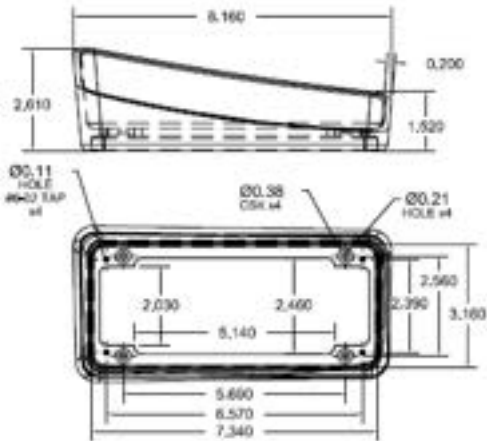


LH37734

**Driver Intersection Lt Hsg.
3" x 7" Light - 20d. Tilt -
2002-05 International 4300
(Whelen 73 LED Only !)**

- 1) Finish: polished.
- 2) Angle: 0°
- 3) Driver Intersection Lt Hsg. 3" x 7" Light 2002-05 International 4300 (Whelen 73 LED Only !)

LH37735

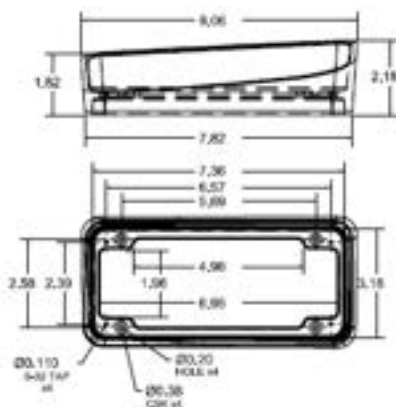


LH37735

**Pass Intersection Lt Hsg.
3" x 7" Light - 20d. Tilt -
2002-05 International 4300
(Whelen 73 LED Only !)**

- 1) Finish: polished.
- 2) Angle: 0°
- 3) Passenger Intersection Lt Hsg. 3" x 7" Light 2002-05 International 4300 (Whelen 73 LED Only !)

LH37736

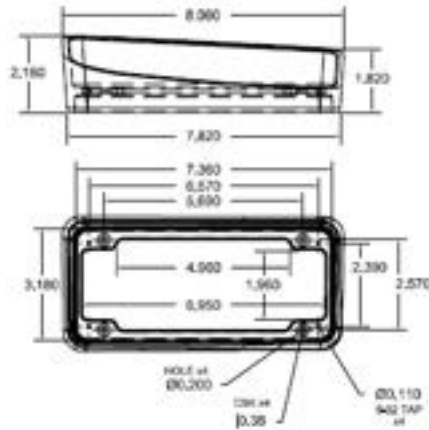


LH37736

**Intersection Lt Hsg - 0d. -
3" x 7" LED Light - 2003
Chevy/GMC C4500 - Pass.**

- 1) Finish: polished.
- 2) Angle: 0°
- 3) Passenger Intersection Lt Hsg - 0d. - 3" x 7" LED Light - 2003-05 Chevy/GMC C4500

LH37737

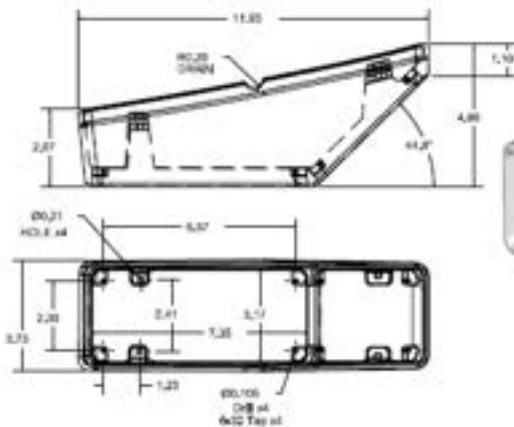


LH37737

**Intersection Lt Hsg - 0d. -
3" x 7" LED Light - 2003
Chevy/GMC C4500 - Driv.**

- 1) Finish: polished.
- 2) Angle: 0°
- 3) Driver Intersection Lt Hsg - 0d. -
3" x 7" LED Light - 2003-05
Chevy/GMC C4500

LH37738

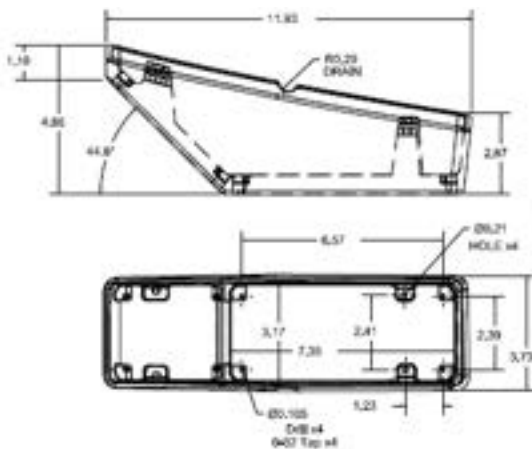


LH37738

**Comb. 3" x 7" Light Fwd /
3" x 5" Light Int. Driver Lt
Hsg - 92-04 Ford E350 UTH**

- 1) Finish: polished.
- 2) Angle: 0° and 44°
- 3) Driver Light Hsg - 0d. - 3" x 7"
and 44d. 3" x 4" Light - 2000-05 Ford
E350 Under-the-headlight

LH37739

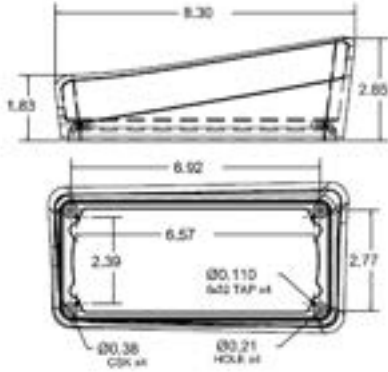


LH37739

**Comb. 3" x 7" Light Fwd /
3" x 5" Light Int. Pass. Lt
Hsg - 92-04 Ford E350 UTH**

- 1) Finish: polished.
- 2) Angle: 0° and 44°
- 3) Passenger Light Hsg - 0d. - 3" x
7" and 44d. 3" x 4" Light - 2000-05
Ford E350 Under-the-headlight

LH37744

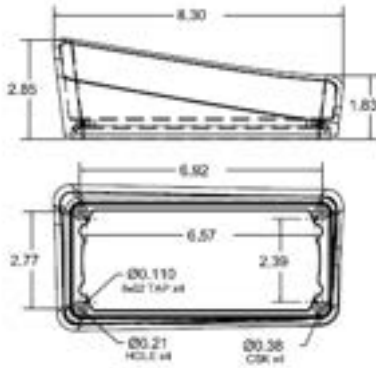


LH37744

**Driver - 2005 Ford F350 SD
15° Intersection Light
Housing 3" x 7" Lights**

- 1) Finish: polished.
- 2) Angle: 15°
- 3) Driver - 2005 Ford F350 SD Intersection Light Housing 3" x 7" Lights

LH37745

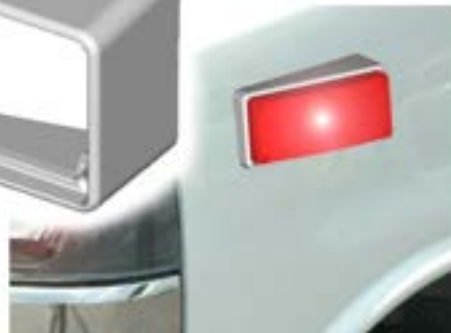
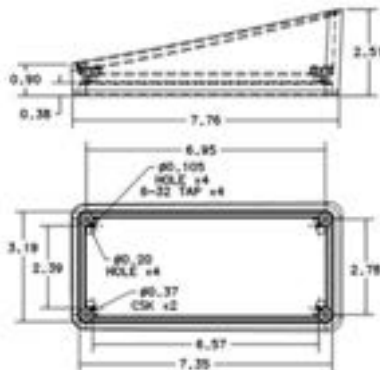


LH37745

**Passenger - 2005 Ford F350 SD 15° Intersection
Light Housing 3" x 7"
Lights**

- 1) Finish: polished.
- 2) Angle: 15°
- 3) Passenger - 2005 Ford F350 SD Intersection Light Housing 3" x 7" Lights

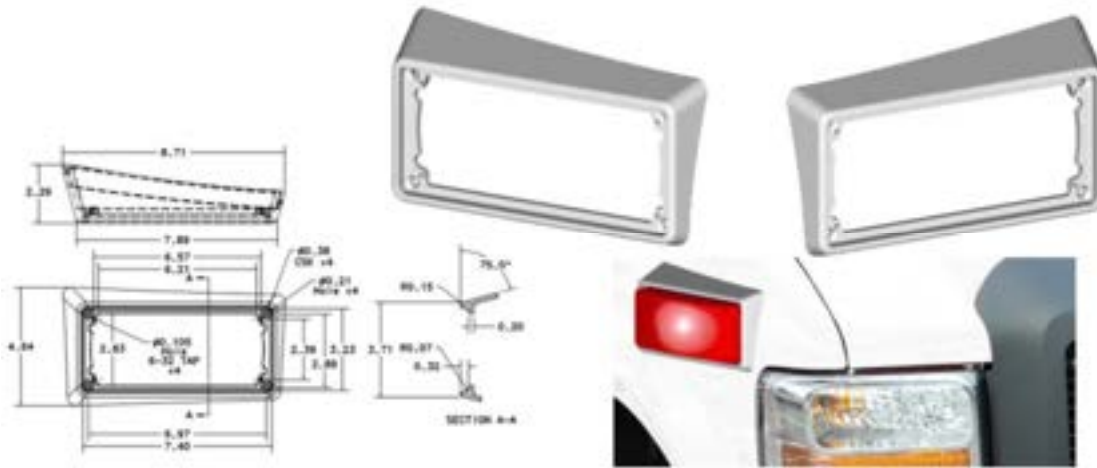
LH37746 LH37747



**LH37746 and
LH37747
3" x 7" 2006-07
Chevy/GMC G3500
15d. Intersection
Hsg**

- 1) Finish: polished exterior.
- 2) LH37746 Driver Side.
LH37747 Passenger Side
- 3) 15 degree, Fender mount, intersection housings for 3" X 7" Lights.

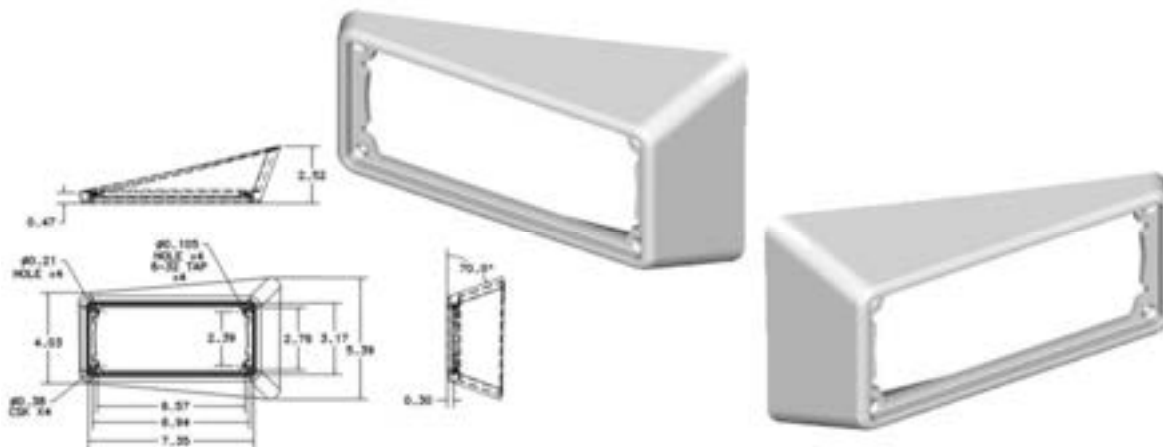
LH37748 LH37749



**LH37748 and LH37749
15d. Intersection
Light Housings for
2008 Ford F series
SD**

- 1) Finish: polished exterior.
- 2) LH37748 Driver Side.
LH37749 Passenger Side.
- 3) 15 degree, Fender mount,
intersection housings for
3" X 7" Lights.

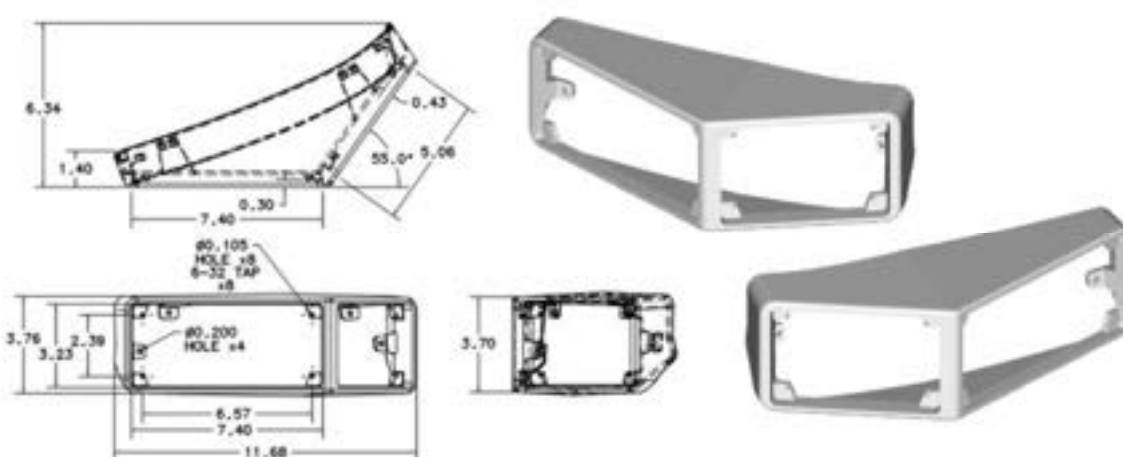
LH37750 LH37751



**LH37750 and LH37751
15d. Intersection
Light Housings for
2008 Dodge
Sprinter**

- 1) Finish: polished exterior.
- 2) LH37750 Driver Side.
LH37751 Passenger Side.
- 3) 15 degree, Fender mount,
intersection housings for
3" X 7" Lights.

LH37752 LH37753



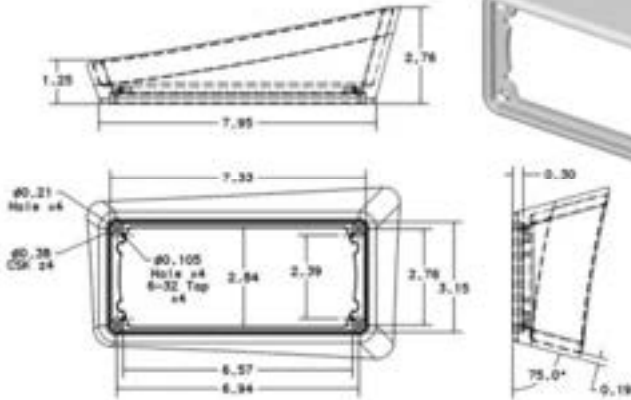
**LH37752 and LH37753
Under-the-head-
light Housings for
2008 Dodge
Sprinter**

- 1) Finish: polished exterior.
- 2) LH37752 Driver Side.
LH37753 Passenger Side.
- 3) 55 degree 3" x 5" inter-
section light and 3" X 7"
forward Light.
- 4) Mounts underneath the
headlight, on top of the
bumper.

LH37754 LH37755

**LH37754 and
LH37755
15d. Intersection
Light Housings for
2007-08 Chevy
C,K3500 HD**

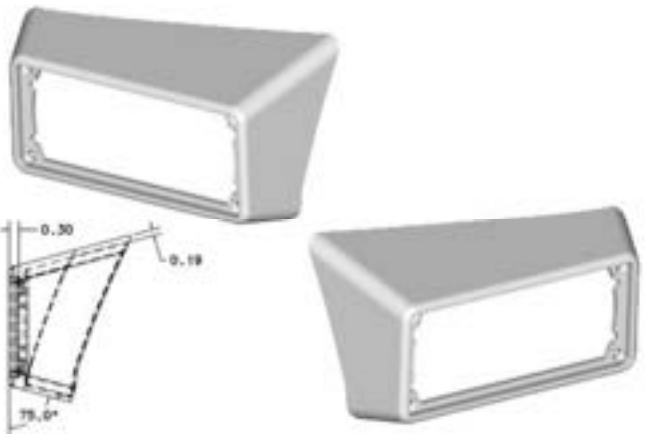
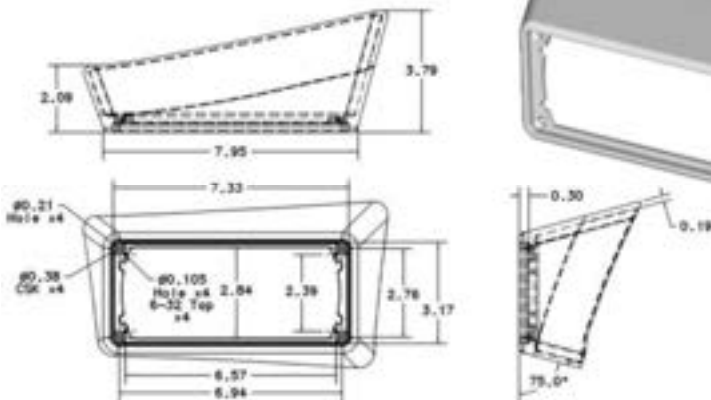
- 1) Finish: polished exterior.
- 2) LH37754 Driver Side.
LH37755 Passenger Side.
- 3) 15 degree, Fender mount,
intersection housings for
3" X 7" Lights.



LH37756 LH37757

**LH37756 and
LH37757
15d. Intersection
Light Housings for
2007-08 GMC
C,K3500 HD**

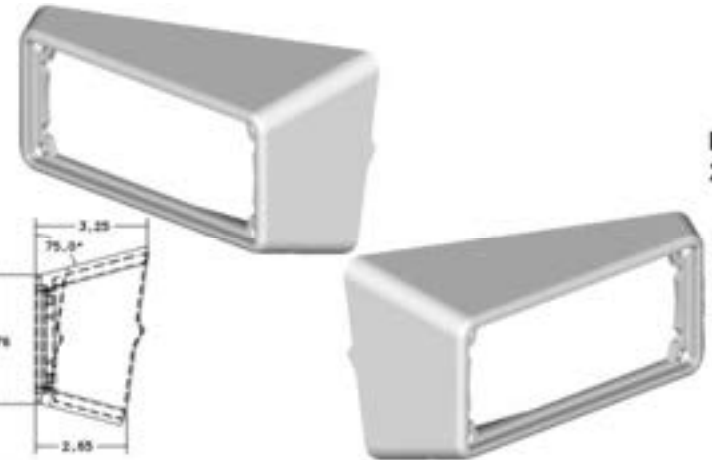
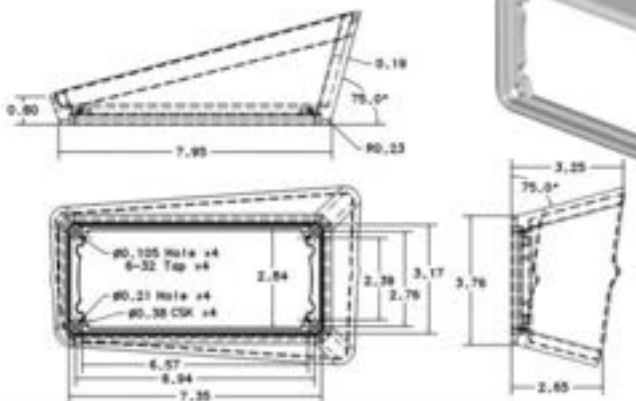
- 1) Finish: polished exterior.
- 2) LH37756 Driver Side.
LH37757 Passenger Side.
- 3) 15 degree, Fender mount,
intersection housings for
3" X 7" Lights.



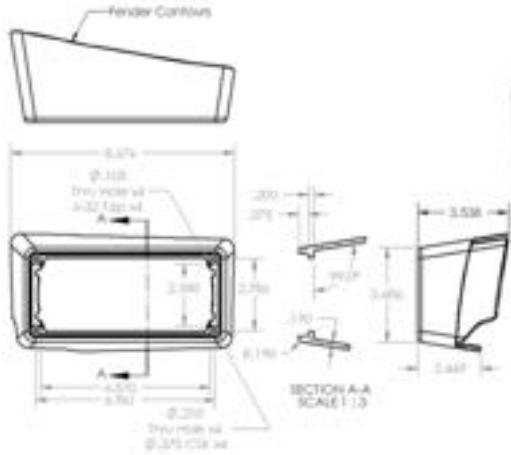
LH37758 LH37759

**LH37758 and
LH37759
15d. Intersection
Light Housings for
2008 Ford E series
SD Van**

- 1) Finish: polished exterior.
- 2) LH37758 Driver Side.
LH37759 Passenger Side.
- 3) 15 degree, Fender mount,
intersection housings for
3" X 7" Lights.



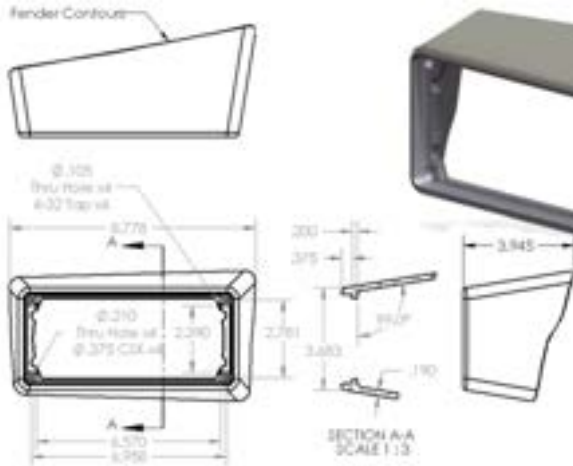
LH37762 LH37763



LH37762 and LH37763
15d. Intersection Light Housings for 2008 Ford F series SD (with large fender flare)

- 1) Finish: polished exterior.
- 2) LH37762 Driver Side. LH37763 Passenger Side.
- 3) 15 degree, Fender mount, intersection housings for 3" X 7" Lights.

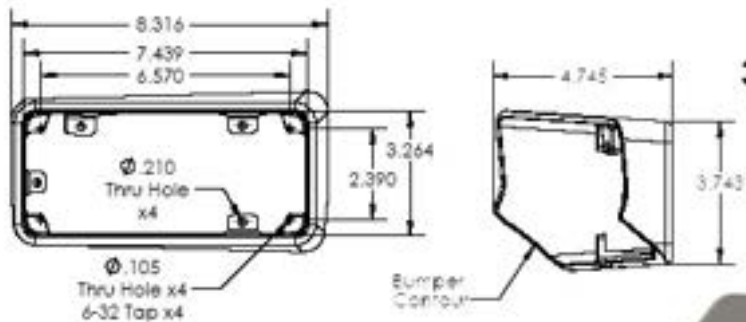
LH37764 LH37765



LH37764 and LH37765
15d. Intersection Light Housings for 2007-08 Chevy/GMC C4500/C5500/C6500

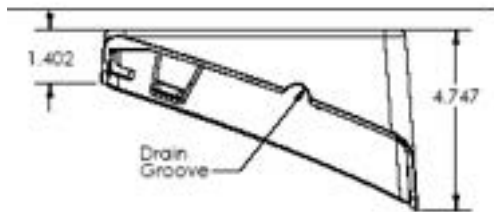
- 1) Finish: polished exterior.
- 2) LH37764 Driver Side. LH37765 Passenger Side.
- 3) 15 degree, Fender mount, intersection housings for 3" X 7" Lights.

LH37766 LH37767

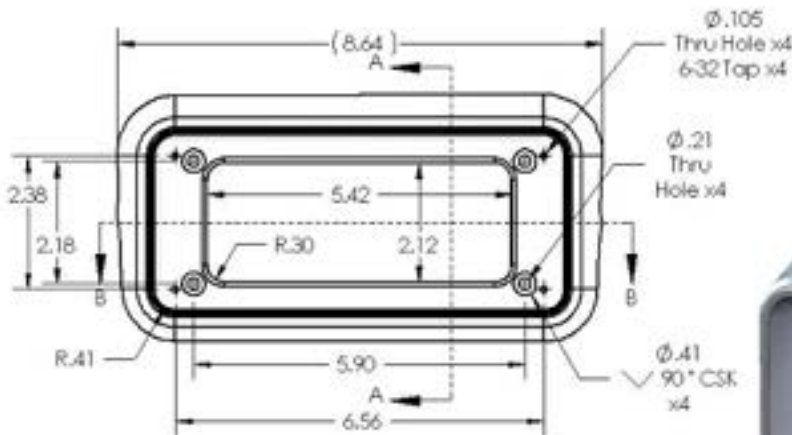


LH37766 LH37767
3x7 '08 -'09 Dodge Sprinter Under-the-Headlight Housings

- 1) Finish: Exterior Surface Polished
- 2) LH37766 Driver Side Shown
- 3) LH37767 Passenger Side is opposite



LH37768 LH37769

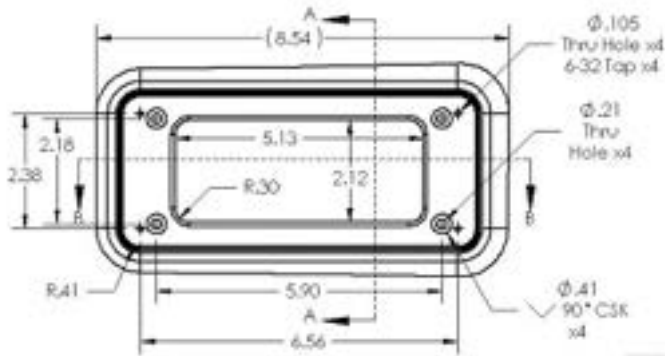


LH37768 & LH37769
Federal Signal 3x7 LED - '08-'09 Ford E350 SD Intersections.
0 degree

- 1) Finish: Exterior Surface Polished
- 2) LH37769 Passenger Side Shown
- 3) LH37768 Driver Side is opposite



LH37770 LH37771

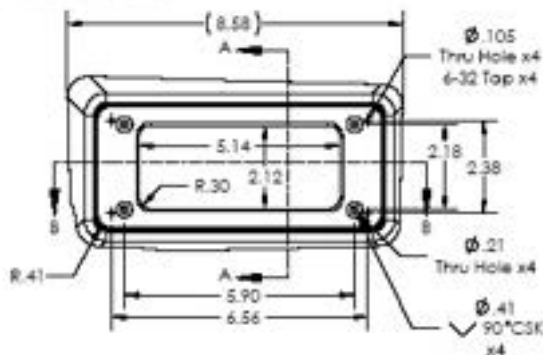
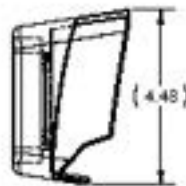


LH37770 & LH37771
Federal Signal 3x7 LED - '08-'
09 Chevy G3500 Intersections.
0 degree

- 1) Finish: Exterior Surface Polished
- 2) LH37771 Passenger Side Shown
- 3) LH37770 Driver Side is opposite



LH37772 LH37773



LH37772-1 & LH37773-1
Federal Signal 3x7 LED '08-'09 Ford
F series SD 15d. Intersection Hsg.

- 1) Finish: Exterior surfaces are polished
- 2) LH37773-1 Passenger Side shown
LH37772-1 Driver Side is opposite

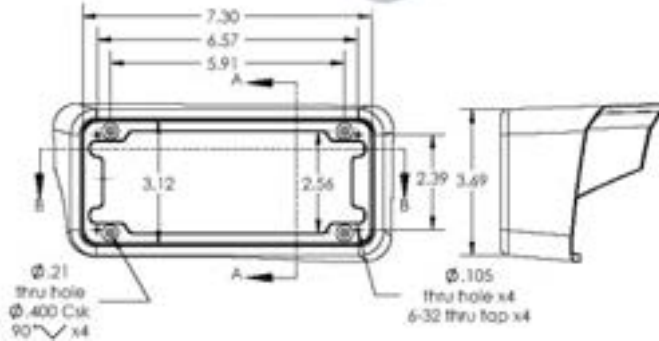


LH37774 LH37775



LH37774-1 & LH37775-1
3x7 LED only, 2011 Ford F series SD
15d. Intersection Hsg (Large
Fender Flare)

- 1) Finish: Exterior surfaces are polished
- 2) LH37774-1 Passenger Side shown
LH37775-1 Driver Side is opposite

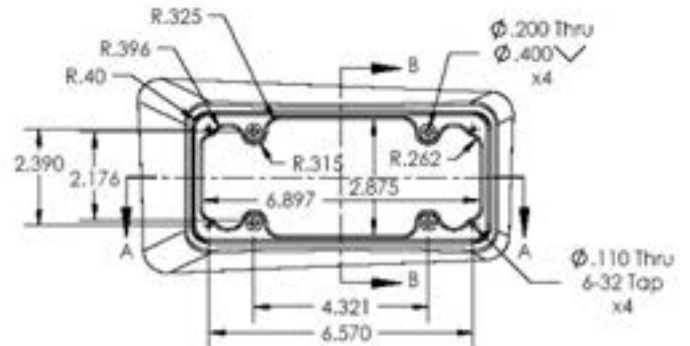


LH37776 LH37777



LH37776-1 & LH37777-1
3x7 LED only, 2010 Dodge 3500
15d. Intersection Hsg

- 1) Finish: Exterior surfaces are polished
- 2) LH37776-1 Passenger Side shown
LH37777-1 Driver Side is opposite

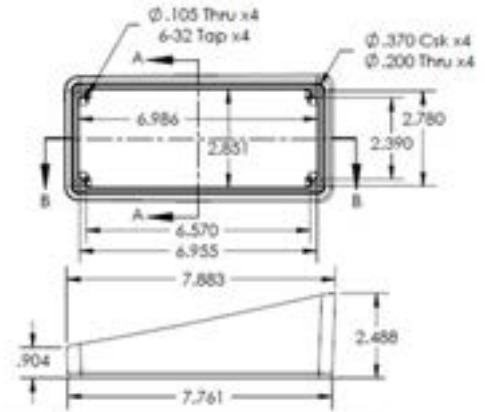


LH37778 LH37779

LH37778-1 & LH37779-1
3x7 LED, 2011 Ford F series SD 15d.
Intersection Hsg (Large Radius
Fender)



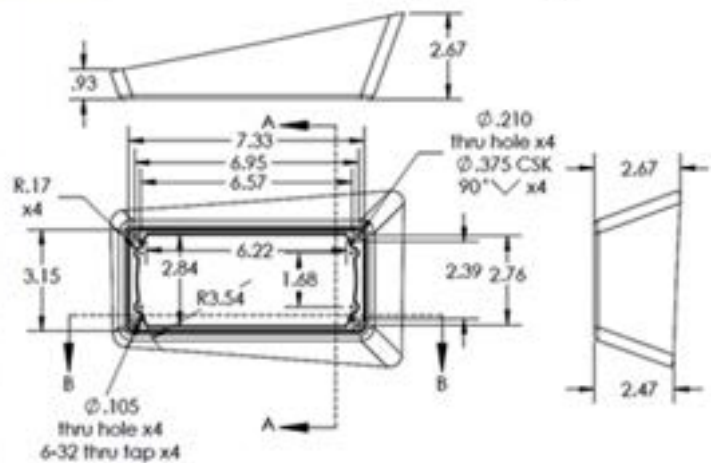
- 1) Finish: Exterior surfaces are polished
- 2) LH37778-1 Driver Side shown
LH37779-1 Passenger Side is opposite



LH37780 LH37781

LH37780-1 & LH37781-1
3x7 LED, 2014 Sprinter 15d.

- 1) Finish: Exterior surfaces are polished
- 2) LH37780-1 Driver Side shown
LH37781-1 Passenger Side is opposite



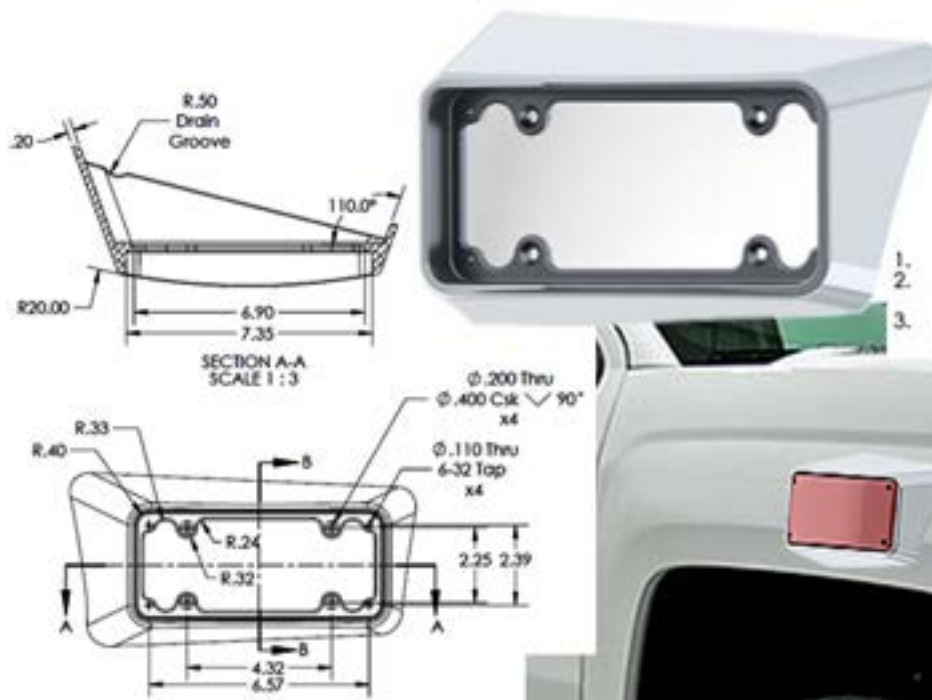
LH37782 LH37783



**LH37782-1 & LH37783-1
3x7 and 3x5 Light, 2014 Sprinter
Under-the-Headlight Housing.**

- 1) Finish: Exterior surfaces are polished
- 2) LH37782-1 Driver Side shown
LH37783-1 Passenger Side is opposite

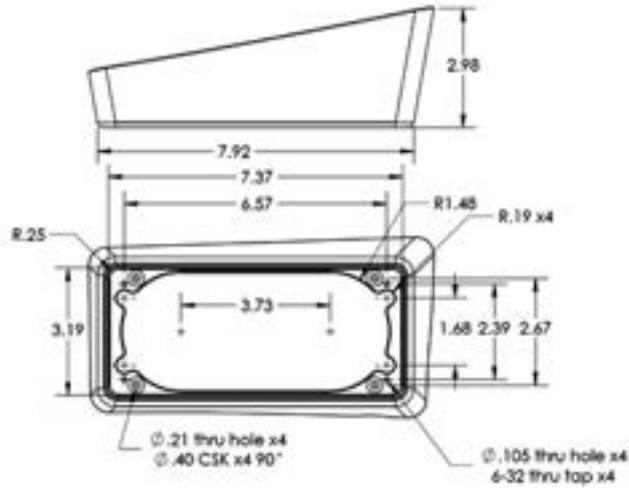
LH37784 LH37785



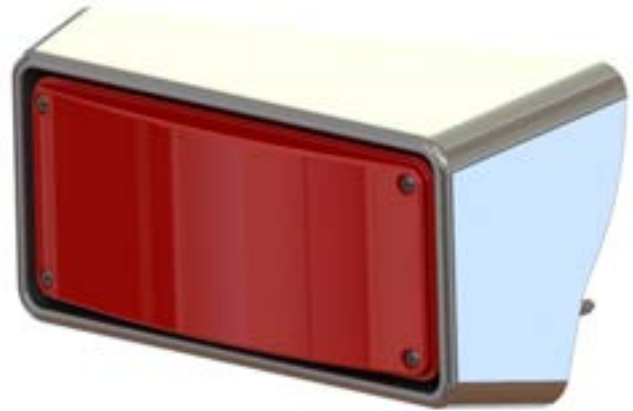
**LH37784-1 &
LH37785-1
3x7 LED only, 2015 Chevy
C3500, 15d. Intersection
Hsg.**

1. Finish: (-1) Polished Exterior
2. LH37785-1 Passenger side shown,
LH37784-1 Driver Side is opposite.
3. 15d. Intersection Lt. Hsg. for 2015 Chevy C3500
(When 3x7 LED).

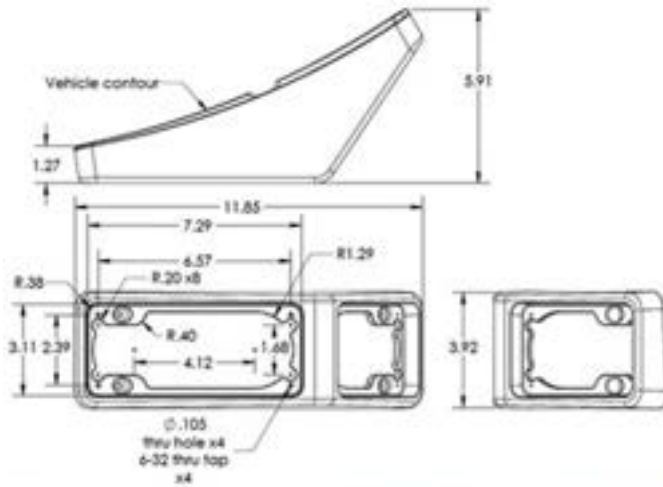
LH37786 LH37787



LH37786-1 & LH37787-1
Driver/Passenger - 3x7 LED only, 2015
Ford Transit Cargo, 15d. Intersection Hsg



LH37788 LH37789

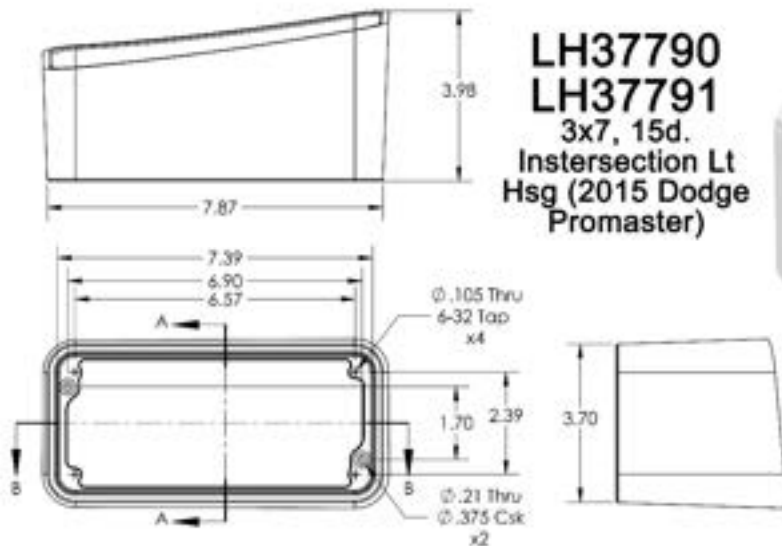


**LH37788-1 & LH37789-1
Driver/Passenger - 3x7 3x5 LED only,
2015 Ford Transit Cargo,
Under-the-Headlight Housing**

1. Finish: polished exterior (1).
2. **LC37788-1 Driver** side shown.
LC37789-1 Passenger side is opposite.
3. Under-the-Headlight combination 3x7 and 3x5 Light Housing (LED only) for 2015 Ford Transit Cargo Van.



LH37790 LH37791

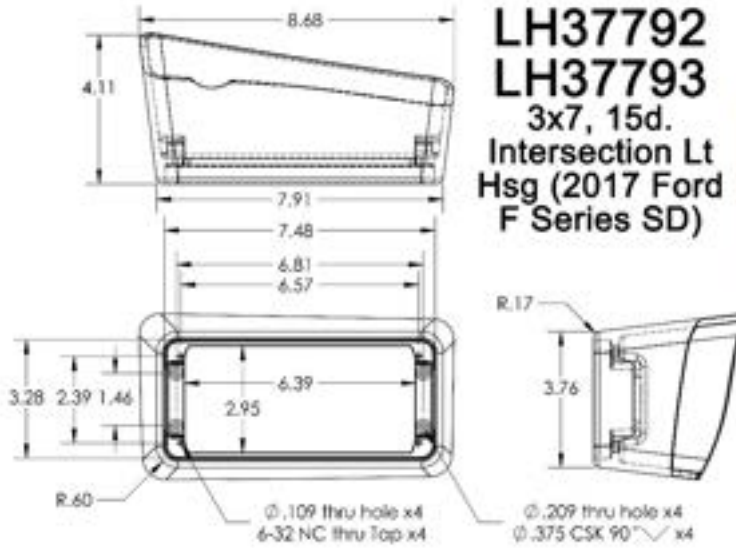


**LH37790
LH37791
3x7, 15d.
Intersection Lt
Hsg (2015 Dodge
Promaster)**



1. Finish: (-1) Polished exterior.
2. 15 tilt out Intersection Hsg for 2015 Dodge Promaster.

LH37792 LH37793

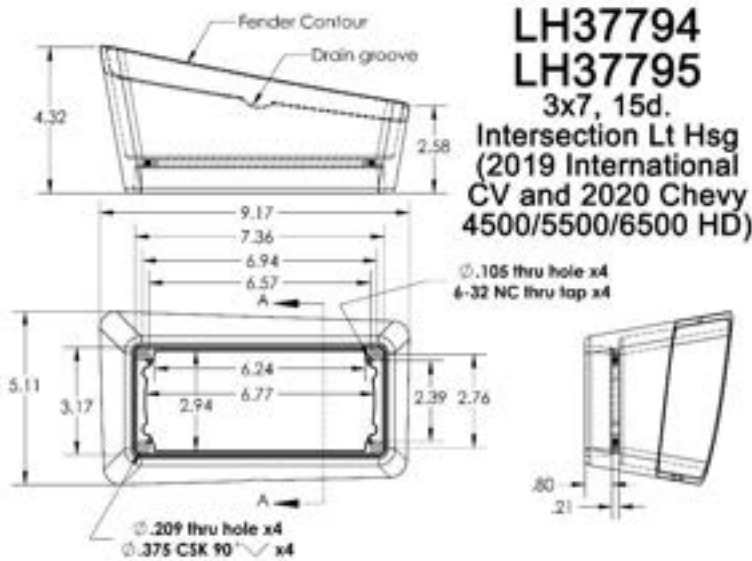


**LH37792
LH37793**
3x7, 15d.
Intersection Lt
Hsg (2017 Ford
F Series SD)



- 1) Finish: exterior surfaces are polished.
- 2) For 3x7, 15d. Intersection Lt Hsg (2017 Ford F Series SD) (for Whelen 700 series, LED, Linear Strobe, Halogen, Scene and Weldon 3700 series Light)
- 3) 3x7 Intersection Housing: works with Plain Fender and Fender with Large Fender Flare

LH37794 LH37795

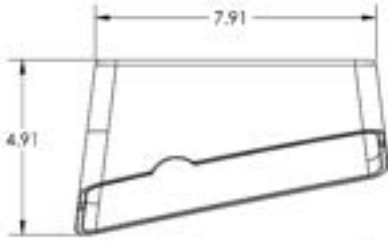


**LH37794
LH37795**
3x7, 15d.
Intersection Lt Hsg
(2019 International
CV and 2020 Chevy
4500/5500/6500 HD)

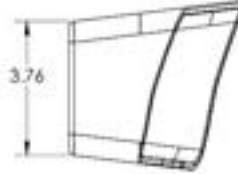
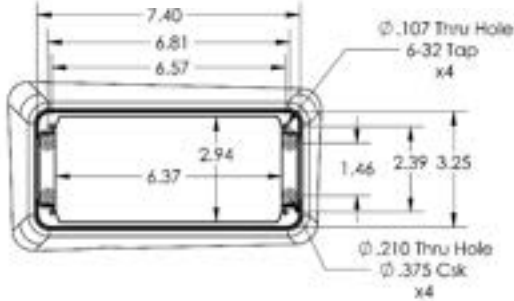


1. Finish: polished exterior surfaces,

LH37796 LH37797

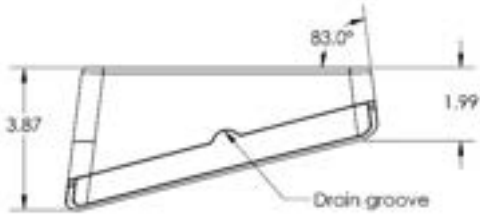


**LH37796
LH37797**
3x7, 15d. Intersection Lt
Hsg (2020 Ford F Series
SD) (for Whelen 700 series,
LED, Linear Strobe,
Halogen, Scene and
Weldon 3700 series Light)

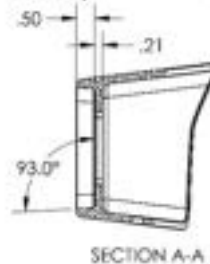
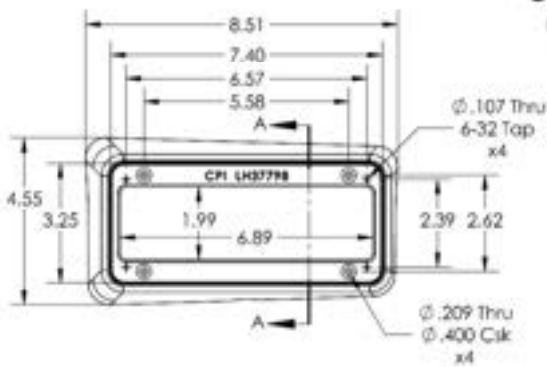


1) Finish: (-1) Polished.

LH37798 LH37799

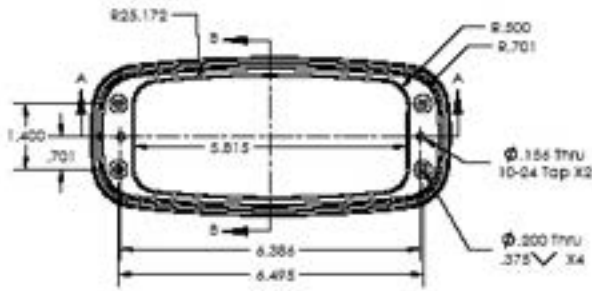


**LH37798
LH37799**
3x7, 15d.
Intersection Lt
Hsg (2020
Chevy C3500)
(for Whelen
LED)



1. Finish:(-1) Polished exterior.

LH37M101



LH37M101

Light Housing 0d. (Whelen M Series) 1/2" Thick - Total Surface Mount

- 1) Finish: Ball-Burnished w/ Exterior Surface Polished
- 2) 1/2" Thick Total Surface Mounting
- 3) Housing for Whelen M7 Series Light

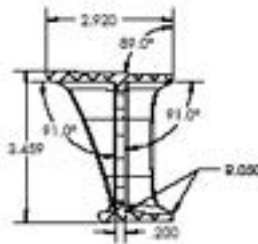
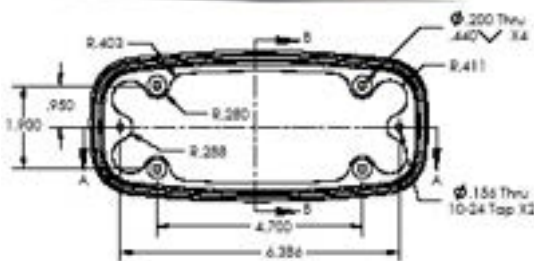


LH37M601 LH37M602

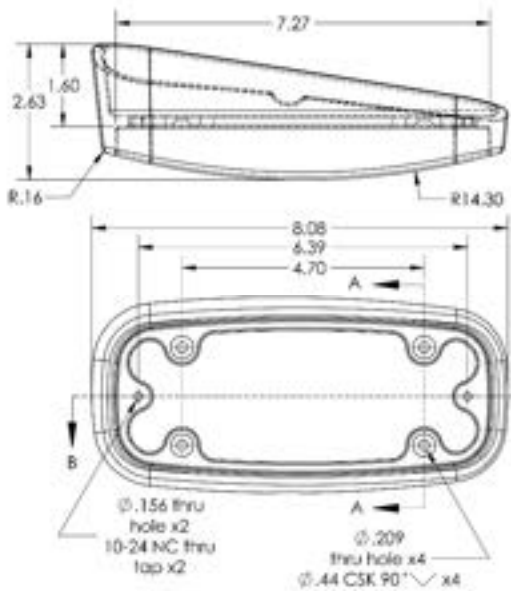


LH37M601 & LH37M602 Grille Light Housings '04-'09 Chevy / GMC G3500 (Whelen M Series Lt)

- 1) Finish: Ball-Burnished w/ Exterior Surface Polished
- 2) LH37M602 Passenger Side Shown
- 3) LH37M601 Driver Side Opposite



LH37M705 LH37M706



LH37M705 LH37M706

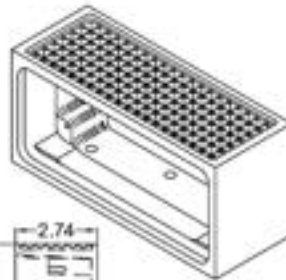
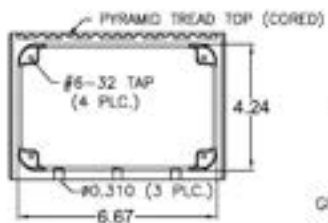
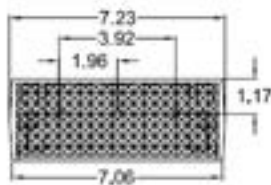
15d Tilt-Out
Intersection Light
Housing - 2017 Ford
F Series SD (Whelen
M7 Series Lt w/o
Chrome Trim)



- 1) Finish: exterior surfaces are polished.
- 2) For Whelen M7 Series Lt w/o Chrome Trim, 15d. Intersection Lt Hsg (2017 Ford F Series SD)
- 3) M7 Intersection Housing: works with Plain Fender and Fender with Large Fender Flare

4" x 6" Light Housings

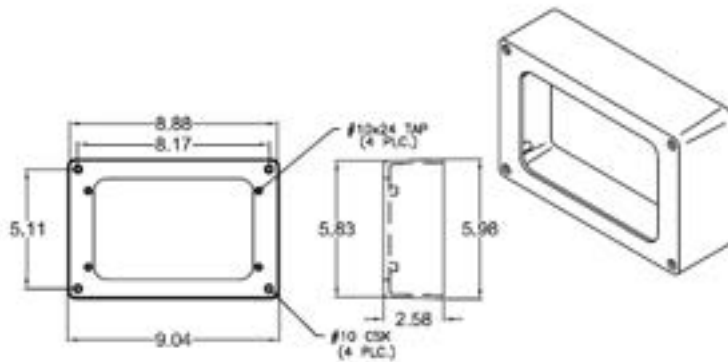
LH46001



LH46001 Light Housing / Step (6" x 4" Light)

- 1) Finish: All exterior surfaces are bright polished.
- 2) Angle: 0°
- 3) Total surface mount. No clearance hole in the body required.
- 4) Fits halogen or linear strobe.
- 5) Pyramid tread on top.

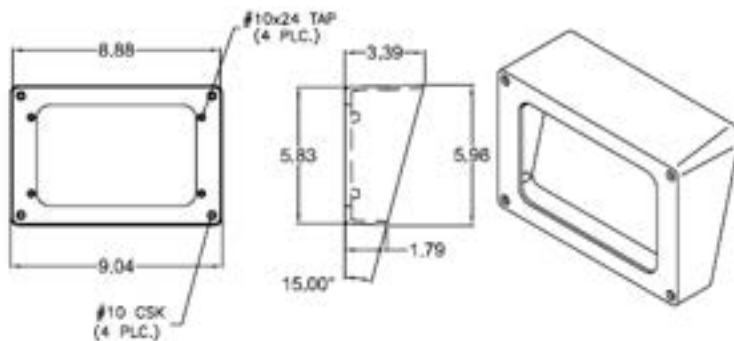
LH46103



LH46103 Light Trim (6" x 4" Light)

- 1) Finish: All exterior surfaces are bright polished.
- 2) angle: 0°
- 3) Lights mount to the back side of trim using the existing holes in the chrome-plated flange of the light.
- 4) Total surface mount. No clearance hole in the body required.

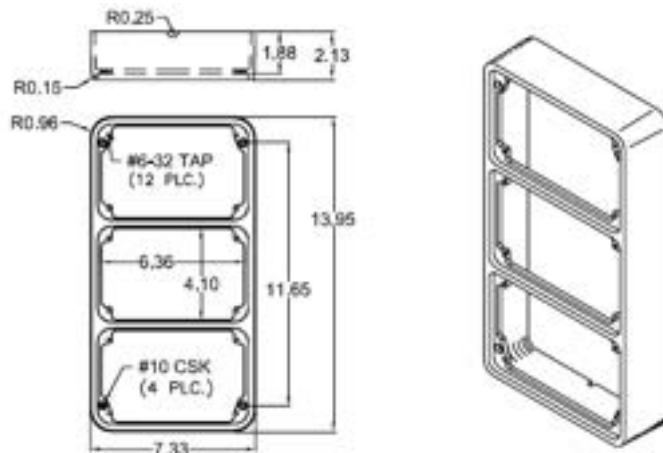
LH46104



LH46104 Light Trim (6" x 4" Light)

- 1) Finish: All exterior surfaces are bright polished.
- 2) angle: 0°
- 3) Lights mount to the back side of trim using the existing holes in the chrome-plated flange of the light.
- 4) Total surface mount. No clearance hole in the body required.

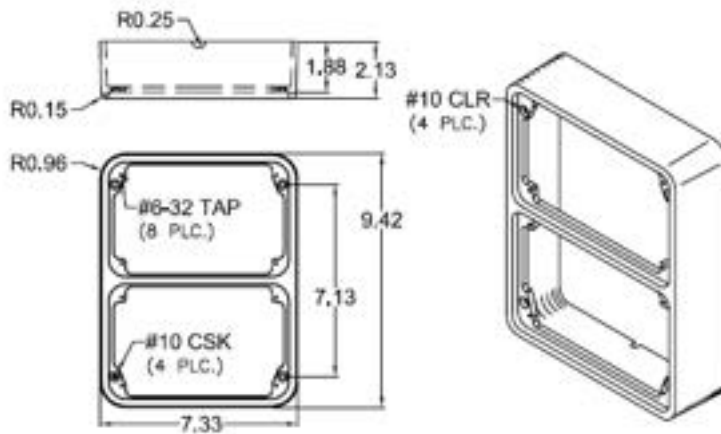
LH46105



LH46105 Triple Light Trim (6" x 4" Light)

- 1) Finish: All exterior surfaces are bright polished.
- 2) 0°
- 3) Concealed mounting hardware.
- 4) Total surface mount. No clearance hole in the body required.

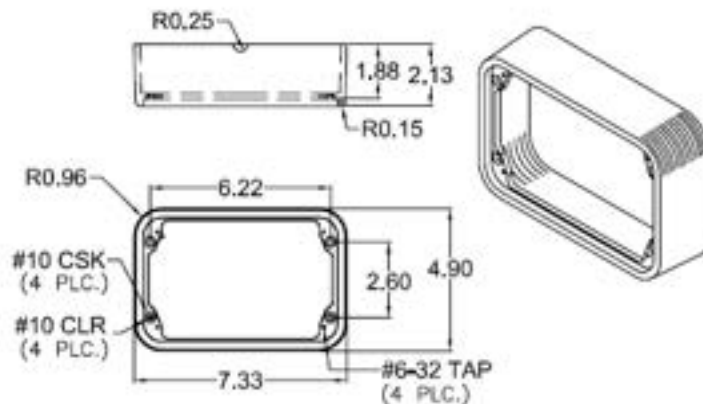
LH46106



LH46106 Double Light Trim (6" x 4" Light)

- 1) Finish: All exterior surfaces are bright polished.
- 2) 0°
- 3) Concealed mounting hardware.
- 4) Total surface mount. No clearance hole in the body required.

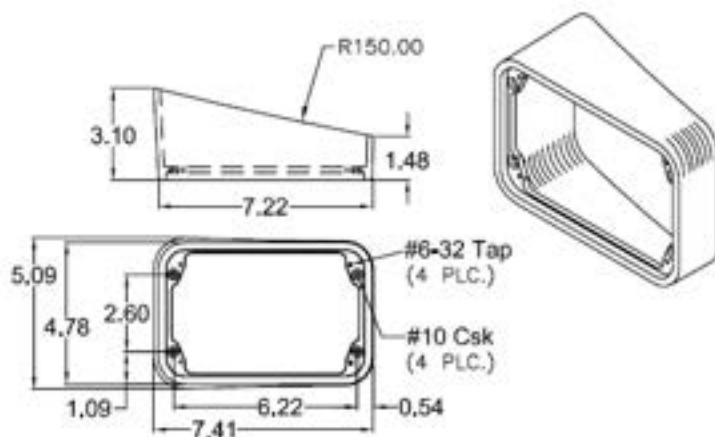
LH46107



LH46107 Light Trim (6" x 4" Light)

- 1) Finish: All exterior surfaces are bright polished.
- 2) 0°
- 3) Concealed mounting hardware.
- 4) Total surface mount. No clearance hole in the body required.

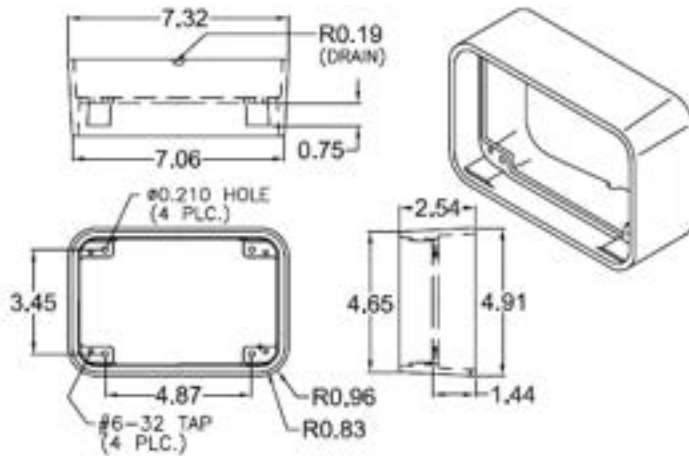
LH46109



LH46109 Light Housing (6" x 4" Light)

- 1) Finish: All exterior surfaces are bright polished.
- 2) Angle: 0°
- 3) Function: Mounts the light to a 150" radius Cab surface.
- 4) Total surface mount. No clearance hole in the body required.

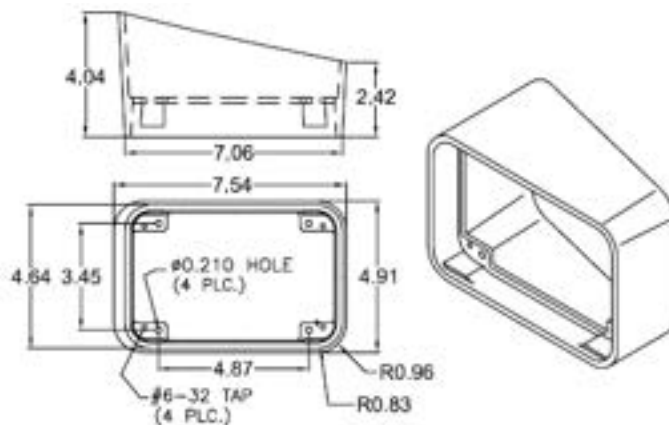
LH46110



LH46110 Light Housing (6" x 4" Light)

- 1) Finish: All exterior surfaces are bright polished.
- 2) 0°
- 3) Total surface mount. No clearance hole in the body required.
- 4) Fits halogen or linear strobe.

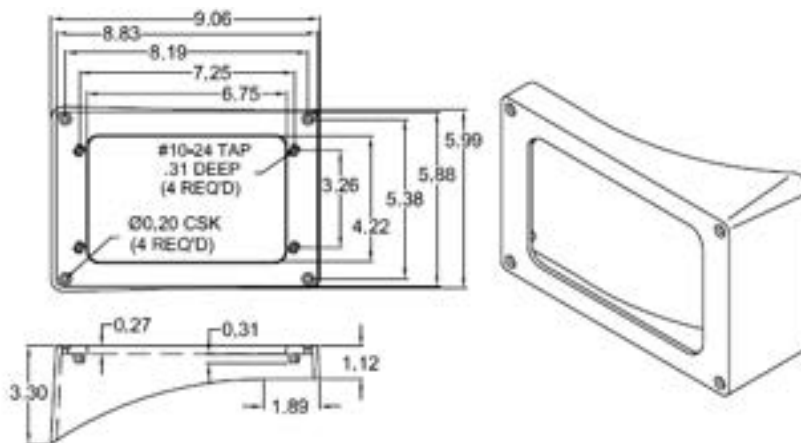
LH46111



LH46111 Light Housing (6" x 4" Light)

- 1) Finish: All exterior surfaces are bright polished.
- 2) Angle: 0°
- 3) Total surface mount. No clearance hole in the body required.
- 4) Fits cab curvature of 150" radius.
- 5) Fits halogen or linear strobe.

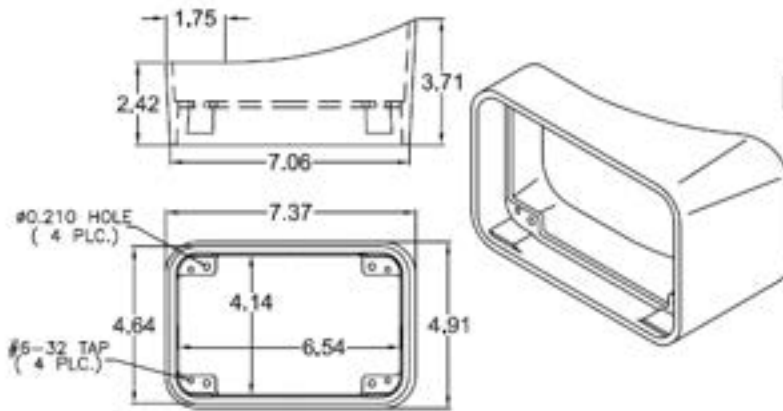
LH46112



LH46112 Light Housing (6" x 4" Light w/ ChromeFlange)

- 1) Finish: All exterior surfaces are bright polished.
- 2) Angle: 0°
- 3) Total surface mount. No clearance hole in the body required.
- 4) Fits cab curvature of 12 7/8" radius.

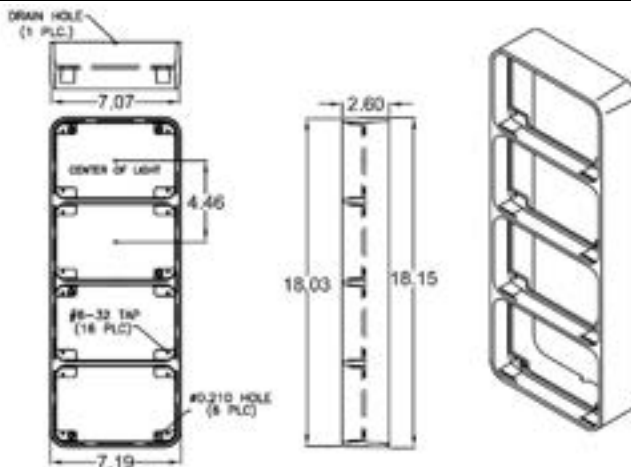
LH46113



LH46113 Intersection Light Housing (6" x 4" Light)

- 1) Finish: All exterior surfaces are bright polished.
- 2) Angle: 0°
- 3) Total surface mount. No clearance hole in the body required.
- 4) Fits cab curvature of 12 7/8" radius.

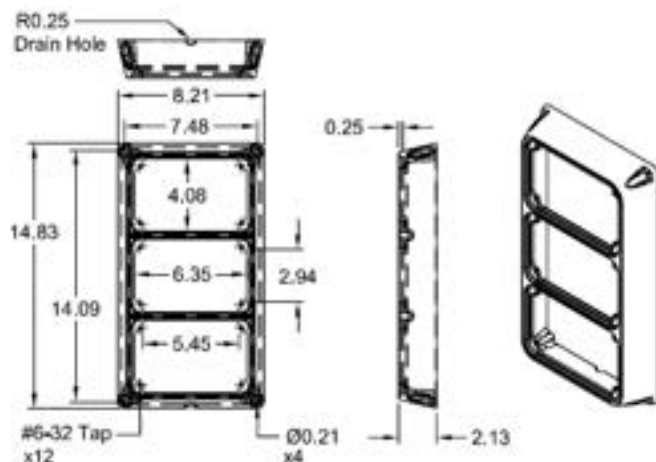
LH46114



LH46114 Quad Light Housing (6" x 4" Light)

- 1) Finish: All exterior surfaces are bright polished.
- 2) Angle: 0°
- 3) Total surface mount. No clearance hole in the body required.

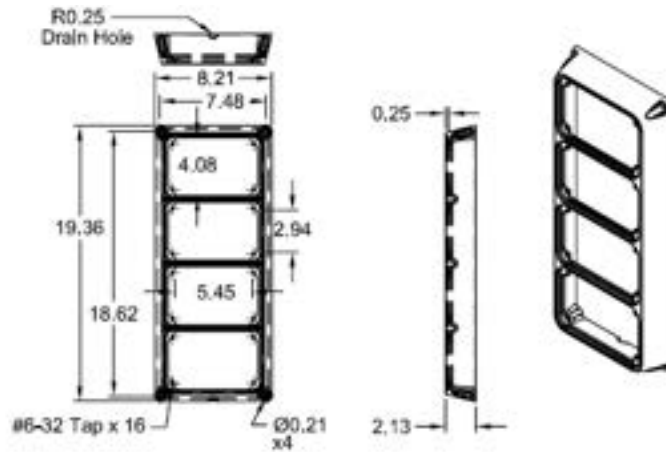
LH46115



LH46115 Triple Light Housing (6" x 4" Light)

- 1) Finish: All exterior surfaces are bright polished.
- 2) Angle: 0°
- 3) Total surface mount. No clearance hole in the body required.
- 4) Only for use with a Weldon 4" x 6" light.

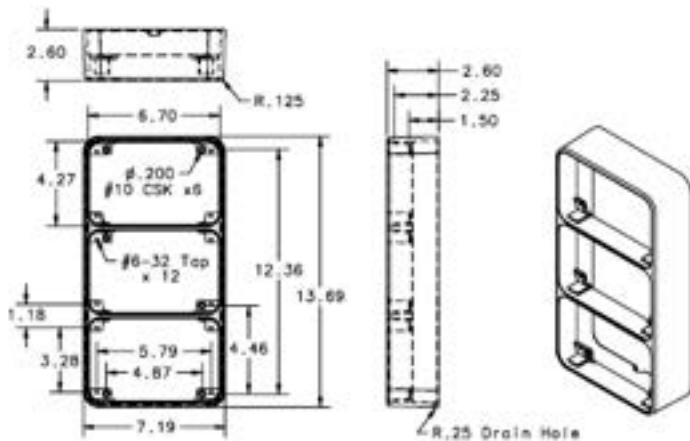
LH46116



LH46116 Quad Light Housing (6" x 4" Light)

- 1) Finish: All exterior surfaces are bright polished.
- 2) Angle: 0°
- 3) Total surface mount. No clearance hole in the body required.
- 4) Only for use with a Weldon 4" x 6" light.

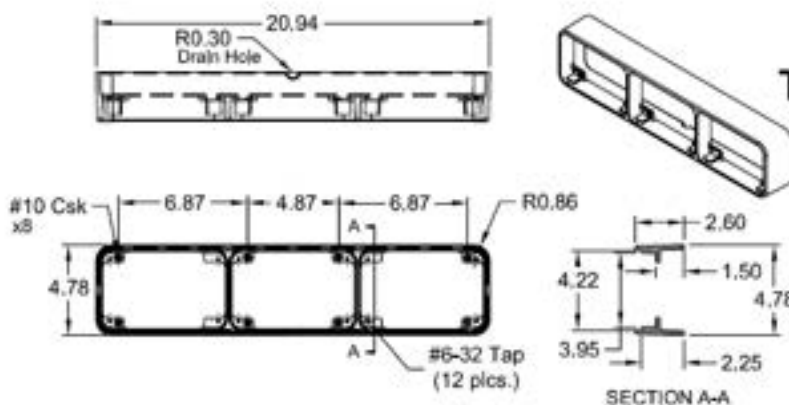
LH46117



LH46117 Triple Vertical Light Housing (6" x 4" Light)

- 1) Finish: All exterior surfaces are bright polished.
- 2) Angle: 0°
- 3) Total surface mount. No clearance hole in the body required.
- 4) Fits halogen or linear strobe.

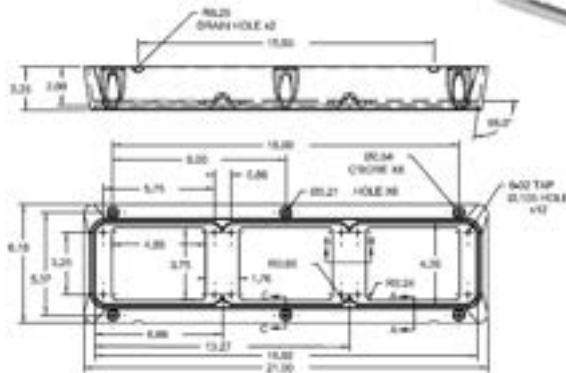
LH46118



LH46118 Triple Vertical Light Housing (6" x 4" Light)

- 1) Finish: All exterior surfaces are bright polished.
- 2) Angle: 0°
- 3) Total surface mount. No clearance hole in the body required.
- 4) Fits halogen or linear strobe.

LH46119

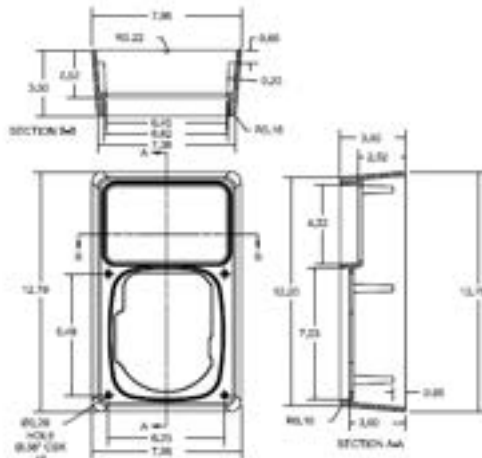


LH46119

**Triple Horizontal
Light Housing -
0d. - Weldon 4" x
6" Light - 2 1/4"
thick**

- 1) Finish: polished exterior.
- 2) Triple Horizontal Light Housing - 0d. - Weldon 4" x 6" Light - 2 1/4" thick
- 3) Optional mounting gasket RG0038.

LH46120

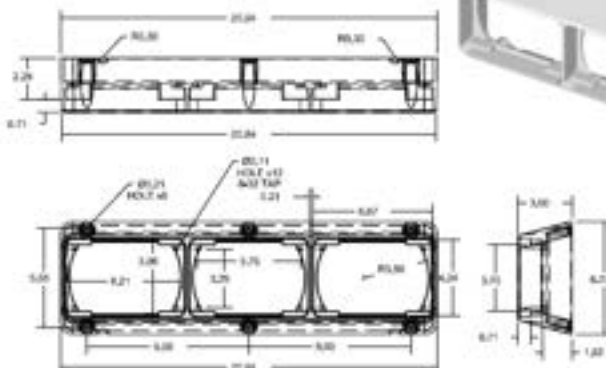


LH46120

**Rear Light Housing,
Signal-Stat / Whelen
6E LED, Halogen or
Strobe**

- 1) Finish: polished exterior.
- 2) Rear Light Housing, for Signal-Stat / Whelen 6E LED, Halogen or Strobe.
- 3) Optional mounting gasket RG0042.

LH46121

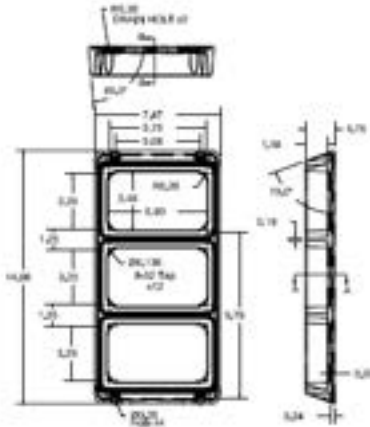


LH46121

**Triple Horizontal
Light Housing -
0d. - Whelen 6E
Led or Halogen**

- 1) Finish: polished exterior.
- 2) Triple Horizontal Light Housing - 0d. - for Whelen 6E Led or Halogen
- 3) Optional mounting gasket RG0043.

LH46122

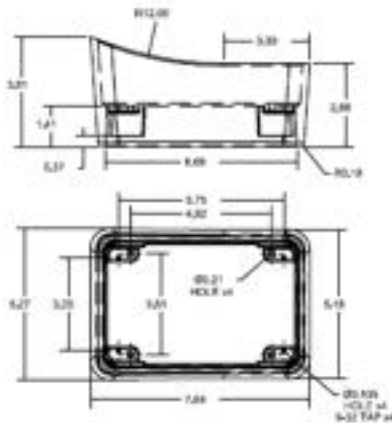


LH46122

Triple Vertical Light Housing - 0d. - Code-3 4" x 6" LED

- 1) Finish: all exterior surfaces are polished.
- 2) Angle: 0°
- 3) Triple Vertical Light Housing - 0d. - for Code-3 4" x 6" LED

LH46123

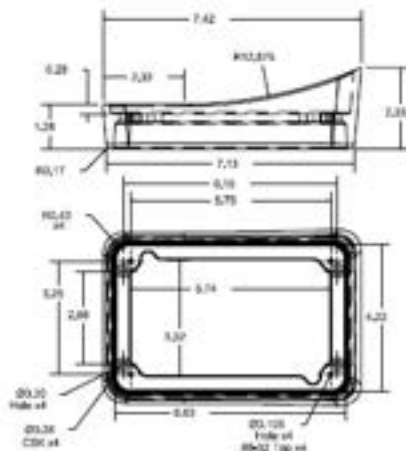


LH46123

intersection Light Housing - Whelen 64 Linear Strobe - 12" Rad.

- 1) Finish: all exterior surfaces are polished.
- 2) Angle: 0°
- 3) Intersection Light Housing - for Whelen 64 Linear Strobe - 12" Rad.

LH46124

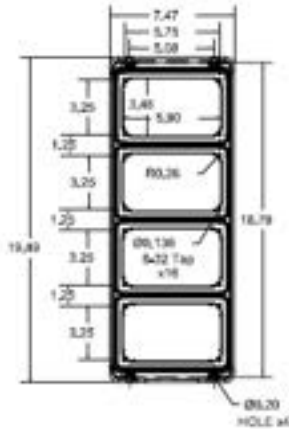


LH46124

Intersection Light Housing - Whelen 64 LED - 12 7/8" Rad.

- 1) Finish: all exterior surfaces are polished.
- 2) Angle: 0°
- 3) Intersection Light Housing - for Whelen 64 LED - 12 7/8" Rad.

LH46125

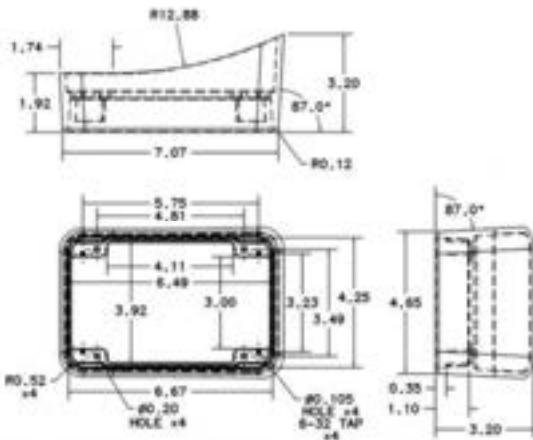


LH46125

Quad Vertical Light Housing - 0d. - Code-3 4" x 6" LED

- 1) Finish: all exterior surfaces are polished.
- 2) Angle: 0°
- 3) Quad Vertical Light Housing - 0d. - for Code-3 4" x 6" LED

LH46126

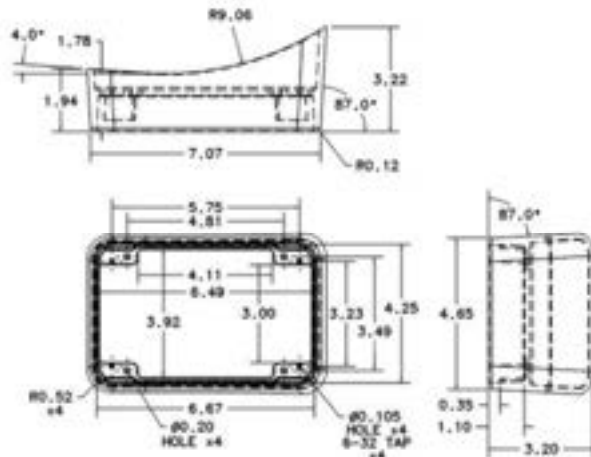


LH46126

Light Housing - 12 7/8" rad. - Whelen 4" x 6"

- 1) Finish: Polished exterior..
- 2) For 4x6 Linear Strobe, Halogen or LED light.

LH46127

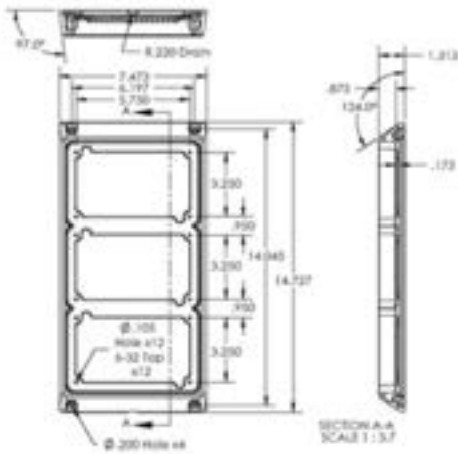


LH46127

Light Housing - 9 1/16" rad. - Whelen 4" x 6" Light

- 1) Finish: Polished exterior..
- 2) For 4x6 Linear Strobe, Halogen or LED light.

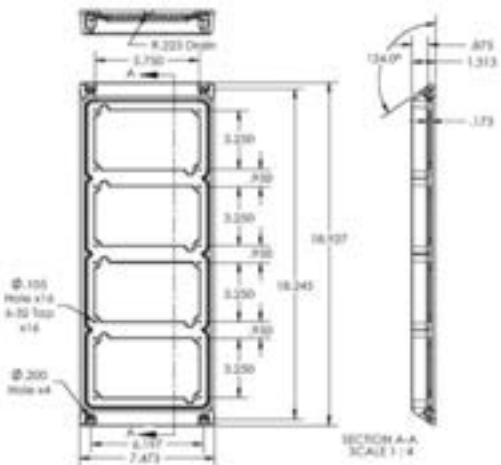
LH46128



LH46128 Triple Light Hsg - Od. -Whelen 4" x 6" LED Light

- 1) Finish: Polished exterior.
- 2) For 4x6 LED light only.
- 3) Uses RG0063 Gasket.

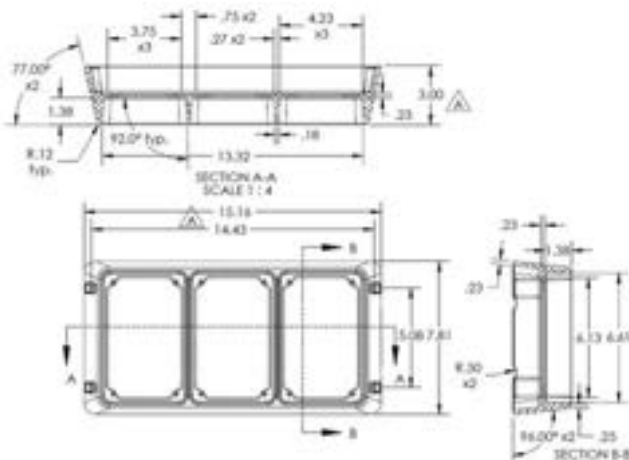
LH46129



LH46129 Quad Light Hsg - Od. - Whelen 4" x 6" LED Light

- 1) Finish: Polished exterior.
- 2) For 4x6 LED light only.
- 3) Uses RG0064 Gasket.

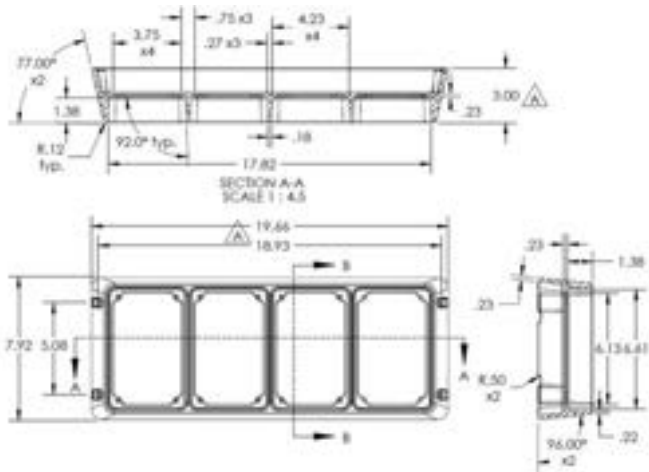
LH46130



LH46130 Triple Light Hsg - Od. 3.50" deep - Code 3 4" x 6" Perimeter Light

- 1) Finish: Polished exterior.
- 2) For Code 3 4x6 LED light only.

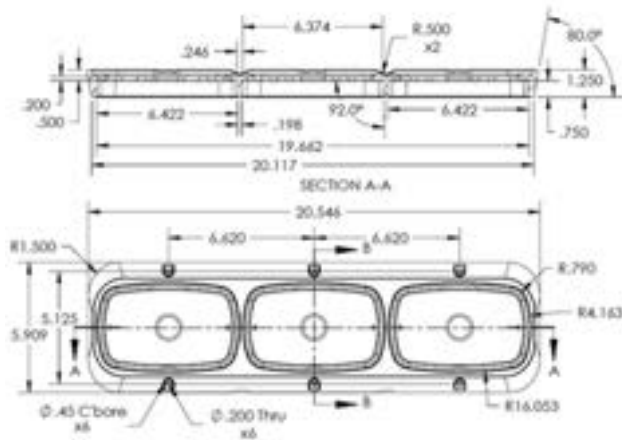
LH46131



LH46131 Quad Light Hsg - Od. 3.50" deep - Code 3 4" x 6" Perimeter Light

- 1) Finish: Polished exterior.
- 2) For Code 3 4x6 LED light only.

LH46132

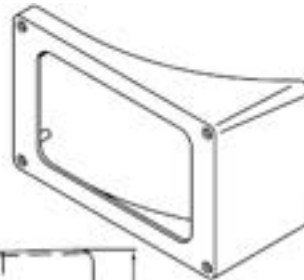
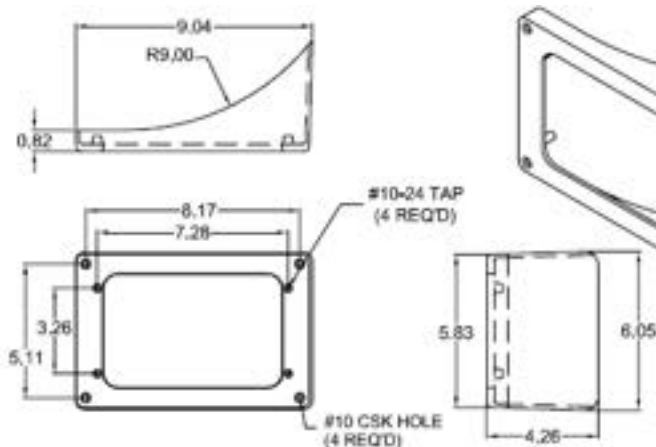


- 1) Finish: Polished exterior.
- 2) Od. For Whelen M6 4x6 series Lights

LH46132 Triple Horizontal Light Housing - Od. - Whelen M6 4x6 series Lights



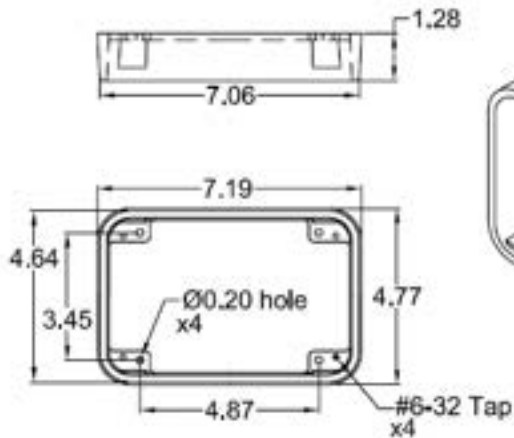
LH46201



LH46201 Light Trim (6" x 4" Light)

- 1) Finish: All exterior surfaces are bright polished.
- 2) Lights mount to the back side of trim using the existing holes in the chrome-plated flange of the light.
- 3) Total surface mount. No clearance hole in the body required.

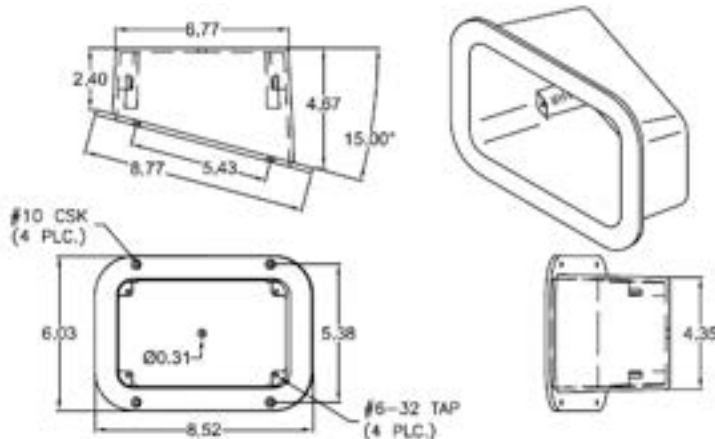
LH46202



LH46202 Light Housing (6" x 4" Light)

- 1) Finish: All exterior surfaces are bright polished.
- 2) Angle: 0°
- 3) Clearance hole in the body required.
- 4) Fits halogen or linear strobe.

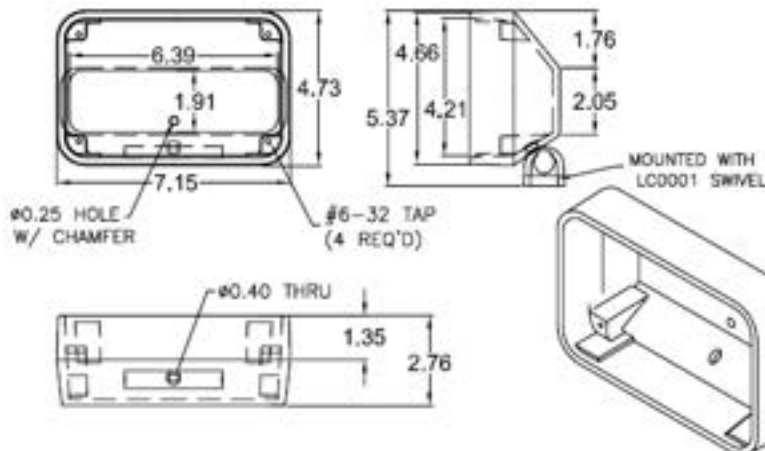
LH46301



LH46301 Recessed Light Housing (6" x 4" Light)

- 1) Finish: Exterior flange is bright polished.
- 2) Angle: 15°
- 3) Clearance hole in the body required.
- 4) Fits halogen or linear strobe.

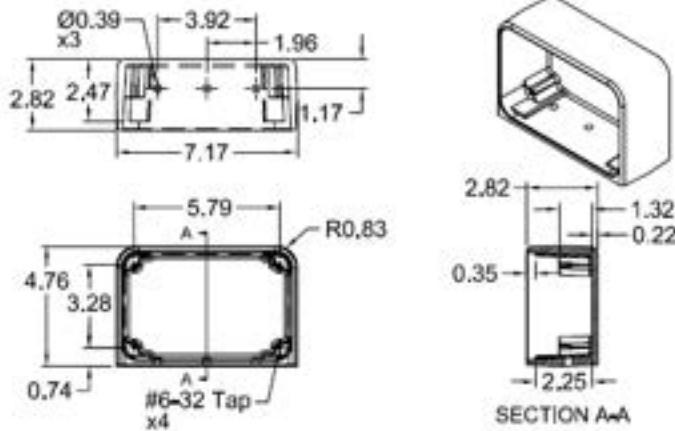
LH46501



LH46501 Bumper Mount Light Housing (6" x 4" Light)

- 1) Finish: Bright Polished.
- 2) Fits halogen or linear strobe.

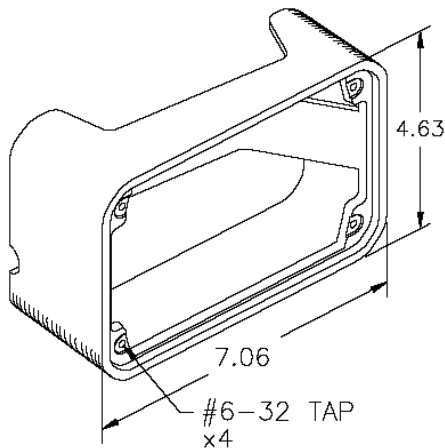
LH46502



LH46502 Flat Bumper Mount Light Housing (6" x 4" Light)

- 1) Finish: Exterior flange is bright polished.
- 2) Fits halogen or linear strobe.

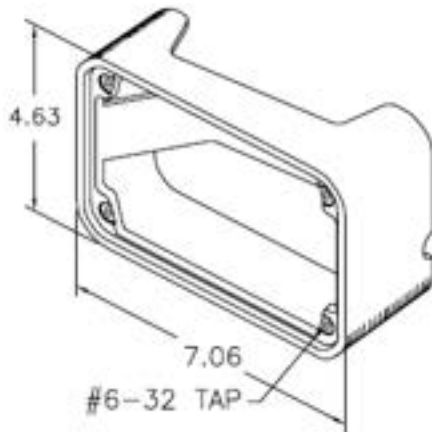
LH46601



LH46601 Grille Mount Light Housing (6" x 4" Light)

- 1) Finish: All exterior surfaces are bright polished.
- 2) Parts mount to the face of the grille without cutting, drilling or damaging the grille.
- 3) Mounts with an included backplate, from the backside of the grille (grille must remain on the vehicle) of the 1992 - 1996 Ford E350 van.

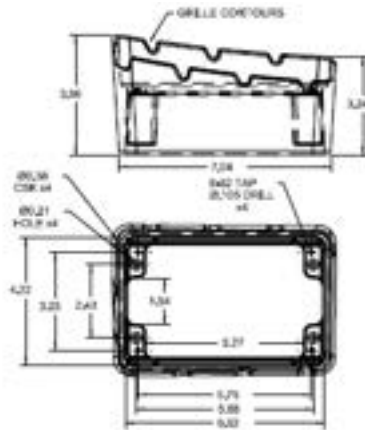
LH46602



LH46602 Grille Mount Light Housing (6" x 4" Light)

- 1) Finish: All exterior surfaces are bright polished.
- 2) Parts mount to the face of the grille without cutting, drilling or damaging the grille.
- 3) Mounts with an included backplate, from the backside of the grille (grille must remain on the vehicle) of the 1992-1996 Ford E350 van (Driv. Side).

LH46603

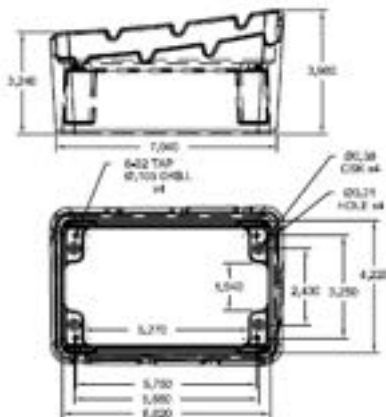


LH46603

Passenger - Whelen 4" x 6" - Grille Mnt Lt Housing (2002-05 International 4300)

- 1) Finish: All exterior surfaces are bright polished.
- 2) Parts mount to the face of the grille without cutting, drilling or damaging the grille.
- 3) Mounts with an included backplate, from the backside of the grille (grille must remain on the vehicle) of the 2000-05 International 4300

LH46604



LH46604

Driver - Whelen 4" x 6" - Grille Mnt Lt Housing (2002-05 International 4300)

- 1) Finish: All exterior surfaces are bright polished.
- 2) Parts mount to the face of the grille without cutting, drilling or damaging the grille.
- 3) Mounts with an included backplate, from the backside of the grille (grille must remain on the vehicle) of the 2000-05 International 4300

LH46707



LH46707

Comb. Whelen 4" x 6" Fwd / 3" x 7" Int. Driver Lt Hsg - for 2002-05 International 4300

- 1) Finish: All exterior surfaces are bright polished.
- 2) Part mounts to the fender of the 2000-05 International 4300 to serve as an Intersection and forward facing warning light of the 2000-05 International 4300

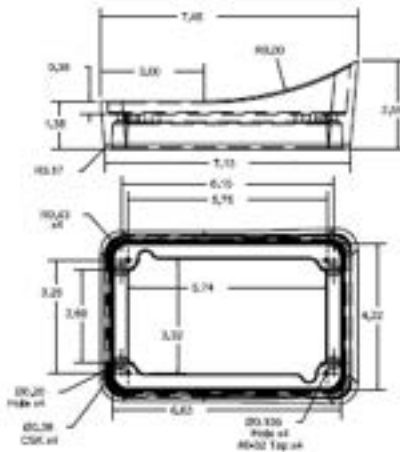
LH46708



LH46708
Comb. Whelen 4" x 6"
Fwd / 3" x 7" Int.
Passenger Lt Hsg - for
2002-05 International 4300

- 1) Finish: All exterior surfaces are bright polished.
- 2) Part mounts to the fender of the 2000-05 International 4300 to serve as an intersection and forward facing warning light of the 2000-05 International 4300

LH46709

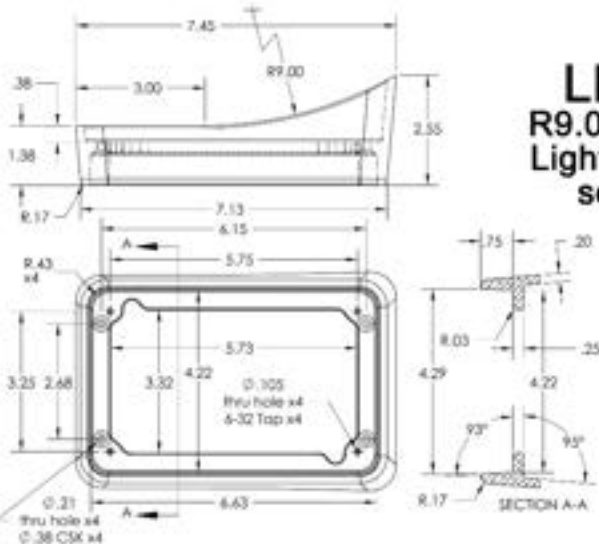


LH46709

Intersection Light
Housing - Whelen
64 LED - 9" Rad.

- 1) Finish: All exterior surfaces are bright polished.
- 2) Angle: 0°
- 3) Fits 9" radius corner post.

LH46710



LH46710
R9.0" Intersection
Light Housing (64
series LED)



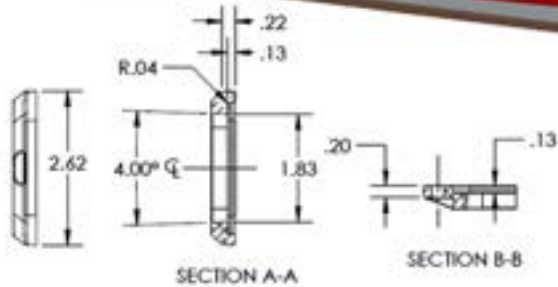
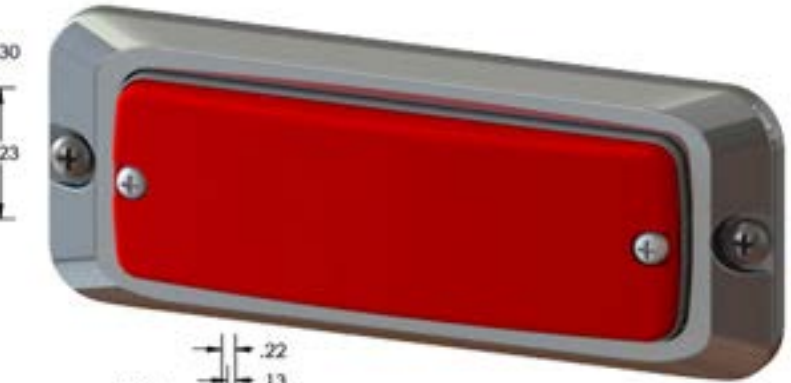
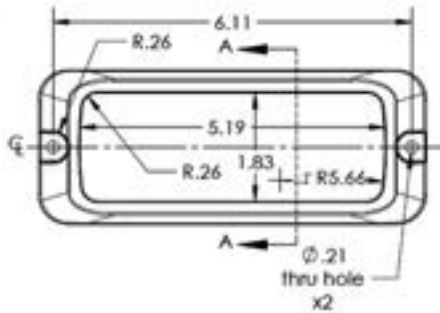
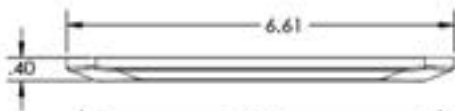
1. Finish: polished exterior (-1).

2" x 5" Light Housings

LH52001

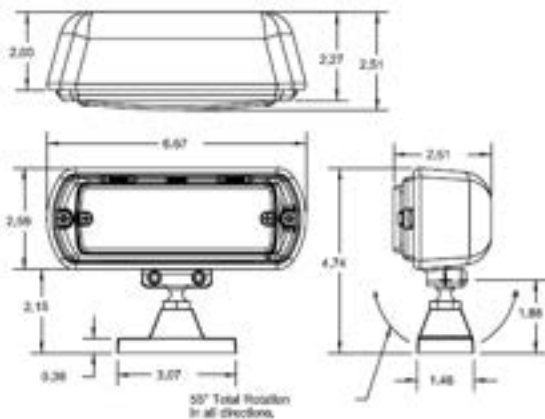
LH52001-1 Surface Mount Trim Casting (500 Series Super LED TIR6)

1. Finish: exterior surfaces are polished.
2. For light mounting of 500 Series Super LED TIR6.



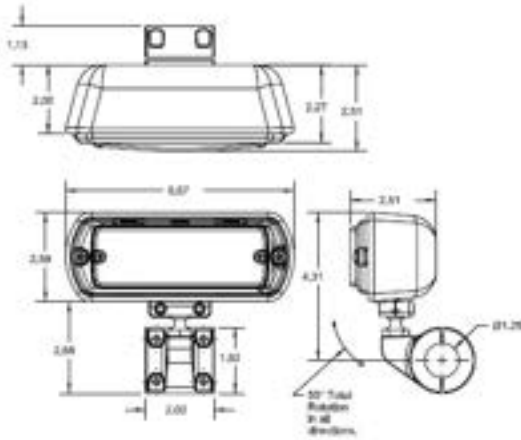
LH52501

LH52501 Swivel (Flat) Mount Light Housing, Whelen 52 Series Linear Strobe



- 1) Finish: polished exterior.
- 2) Designed for use as a Swivel (Flat) Mount Light Housing for Whelen 52 Series Linear Strobe

LH52503

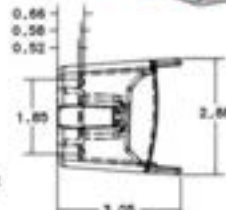
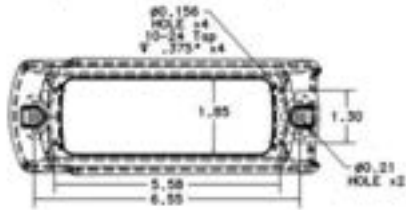
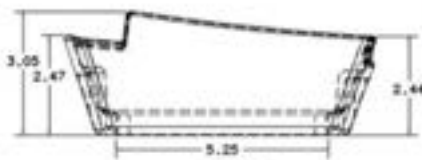


LH52503

**Swivel (1 1/4" OD
Crash Bar) Mount
Light Housing,
Whelen 52 Series
Linear Strobe**

- 1) Finish: polished exterior.
- 2) Designed for use as a 1 1/4" diameter Crash Bar Mount Light Housing for Whelen 52 Series Linear Strobe

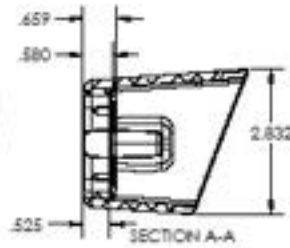
LH52605 LH52606



**LH52605 and
LH52606
Grille Mount Hous-
ings for 2008 Ford
E series SD Van**

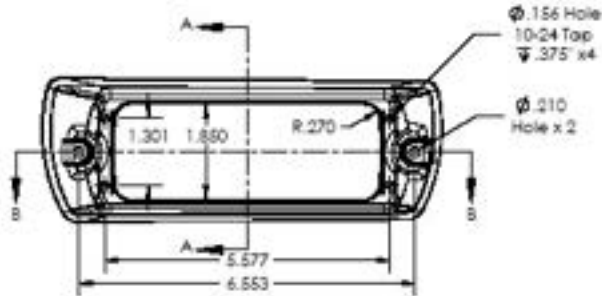
- 1) Finish: polished exterior.
- 2) LH52605 Driver Side.
LH52606 Passenger Side.
- 3) For Whelen 500 series
TIR6 Super LED or 500
series Linear Strobe
Lights.

LH52609 LH52610



**LH52609-1 & LH52610-1
Grille Mount Lt Hsg Assembly (Whelen
500 series TIR6 Super LED or 500 series
Linear Strobe) '08-'09 Chevy G3500**

- 1) Finish: Exterior surfaces are polished
- 2) LH52610-1 Passenger Side shown
LH52609-1 Driver Side is opposite

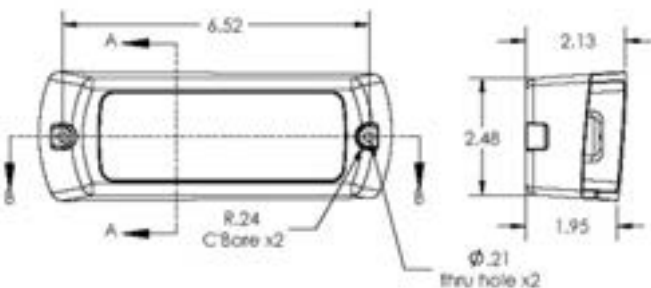


LH52611 LH52612



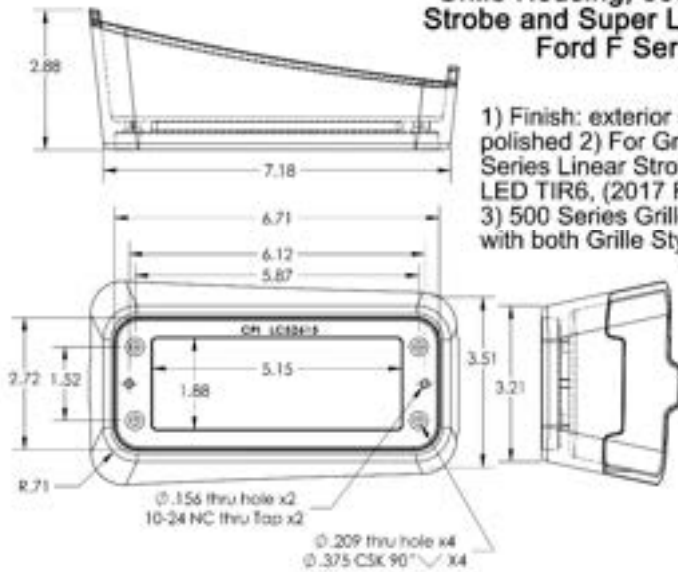
**LH52611-1 & LH52612-1
Grille Mount Lt Hsg Assembly (Whelen
500 series TIR6 Super LED only)
2011 Ford F Series SD**

- 1) Finish: Exterior surfaces are polished
- 2) LH52611-1 Passenger Side shown
LH52612-1 Driver Side is opposite



LH52615 LH52616

LH52615 LH52616
Grille Housing, 500 Series Linear Strobe and Super LED TIR6, (2017 Ford F Series SD)

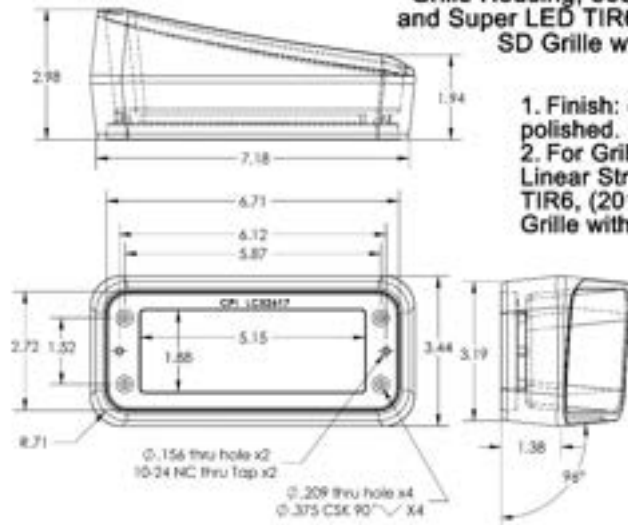


- 1) Finish: exterior surfaces are polished
- 2) For Grille Housing, 500 Series Linear Strobe and Super LED TIR6, (2017 Ford F Series SD)
- 3) 500 Series Grille Housing: works with both Grille Style Options.



LH52617 LH52618

LH52617 LH52618
Grille Housing, 500 Series Linear Strobe and Super LED TIR6, (2017 Ford F Series SD Grille w/o End Vents)

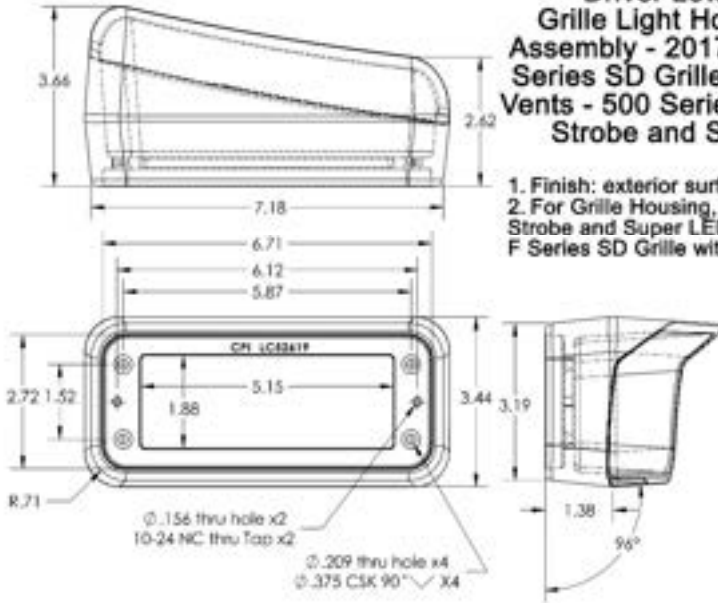


1. Finish: exterior surfaces are polished.
2. For Grille Housing, 500 Series Linear Strobe and Super LED TIR6, (2017 Ford F Series SD Grille without End Vents).



LH52619 LH52620

LH52619 LH52620
 Passenger Upper and
 Driver Lower
 Grille Light Housing
 Assembly - 2017 Ford F
 Series SD Grille w/ End
 Vents - 500 Series Linear
 Strobe and Super

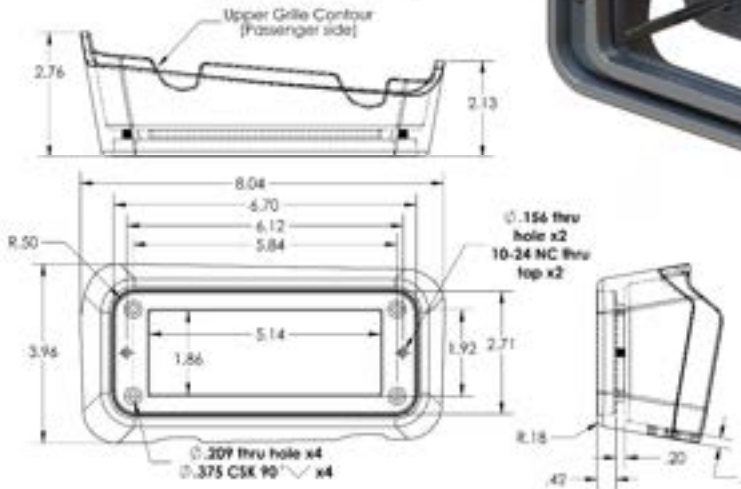


1. Finish: exterior surfaces are polished.
2. For Grille Housing, 500 Series Linear Strobe and Super LED TIR6, (2017 Ford F Series SD Grille with End Vents).

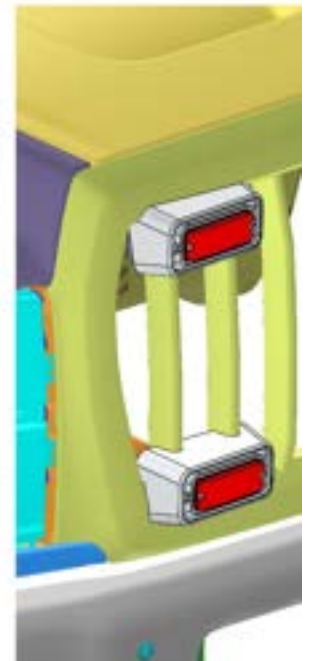


LH52621 LH52622

LH52621 LH52622
 Upper Grille Mnt Light Hsg
 for 2019 International CV (500
 Series Linear Strobe and
 Super LED TIR6)

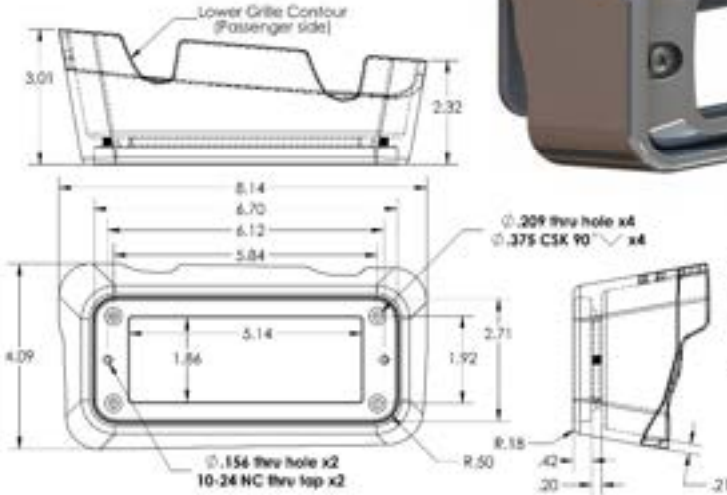


1. Finish: exterior surfaces are polished.
2. For 2019 International CV (500 Series Linear Strobe and Super LED TIR6)

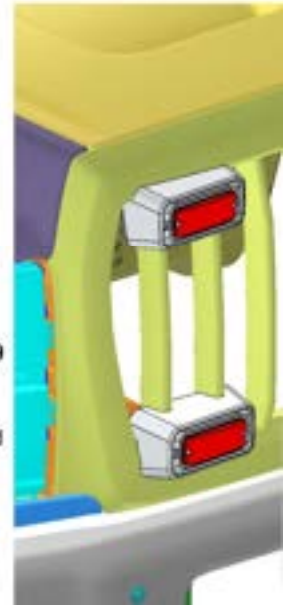


LH52623 LH52624

LH52623 LH52624
 Lower, Grille Mnt Light Hsg
 for 2019 International CV (500
 Series Linear Strobe and
 Super LED TIR6)

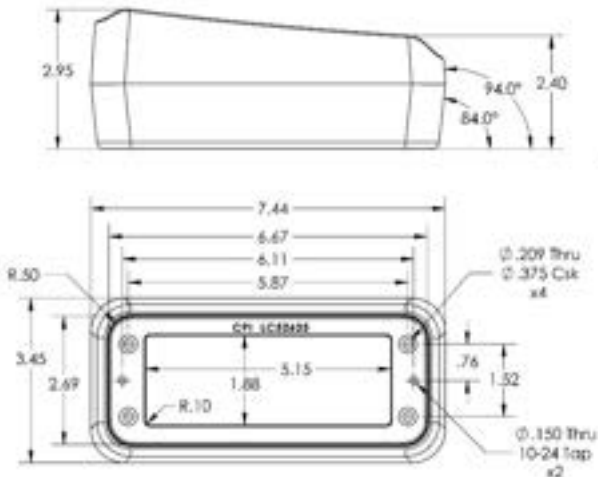


- 1) Finish: exterior surfaces polished.
- 2) For QUAD, 2019 International CV (500 Series Linear Strobe and Super LED TIR6)

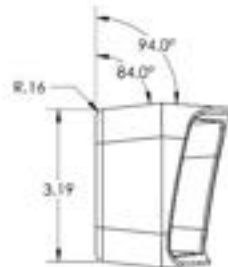


LH52625 LH52626

LH52625 LH52626
 Upper - Grille Lt Hsg - 2020
 Ford F Series SD -
 500 Series Linear Strobe &
 Super LED TIR6



- 1) Finish: (-1) Polished exterior.

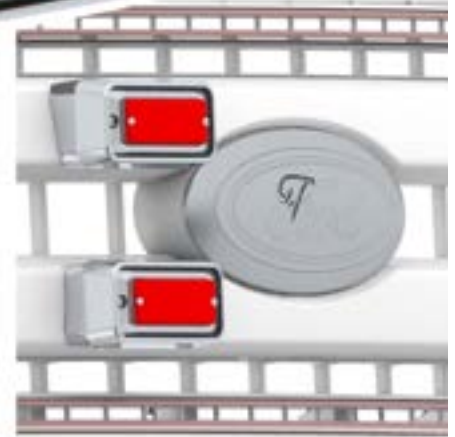
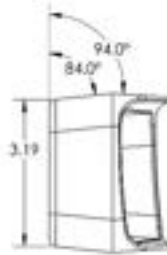
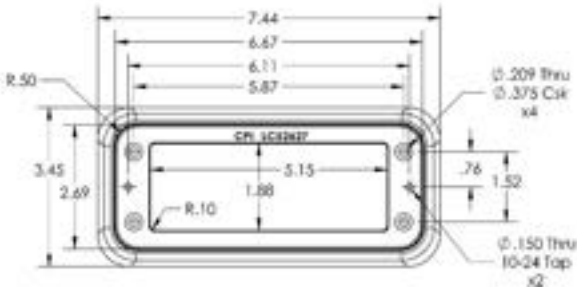


LH52627 LH52628

LH52627 LH52628
 Lower - Grille Lt Hsg - 2020
 Ford F Series SD -
 500 Series Linear Strobe &
 Super LED TIR6



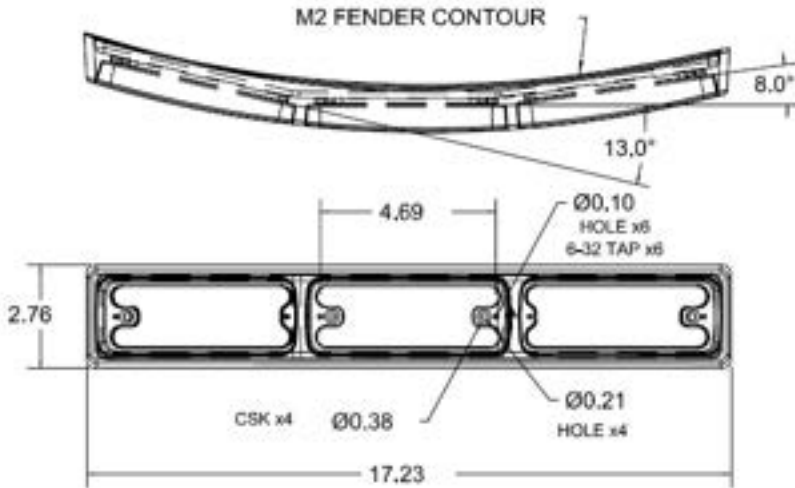
1) Finish: (-1) Polished exterior.



LH52703

LH52703

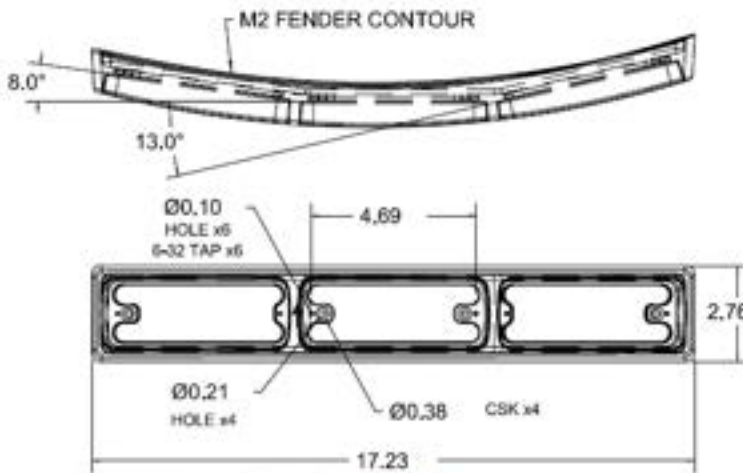
**Triple 500 Series LED
 Intersection Lt Hsg -
 2003-05 Freightliner
 M2 - Driver**



- 1) Finish: All exterior surfaces are bright polished.
- 2) Angle: multiple°
- 3) Total surface mount, No clearance hole in the body required.
- 4) Fits front fender curvature, Under the headlight, of 2003-05 Freightliner M2.



LH52704



LH52704 Triple 500 Series LED Intersection Lt Hsg - 2003-05 Freightliner M2 - Passenger

- 1) Finish: All exterior surfaces are bright polished.
- 2) Angle: multiple*
- 3) Total surface mount. No clearance hole in the body required.
- 4) Fits front fender curvature, Under the headlight, of 2003-05 Freightliner M2.

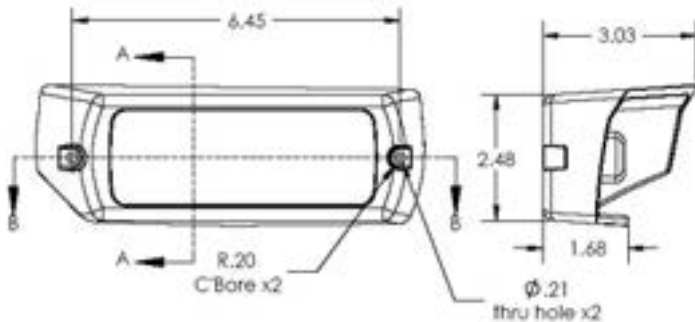


LH52707 LH52708



LH52707-1 & LH52708-1 Intersection Lt Hsg - 15d. (Whelen 500 series TIR6 Super LED only) 2011 Ford F Series SD

- 1) Finish: Exterior surfaces are polished
- 2) LH52707-1 Passenger Side shown
LH52708-1 Driver Side is opposite
- 3) For Large Fender Flare.



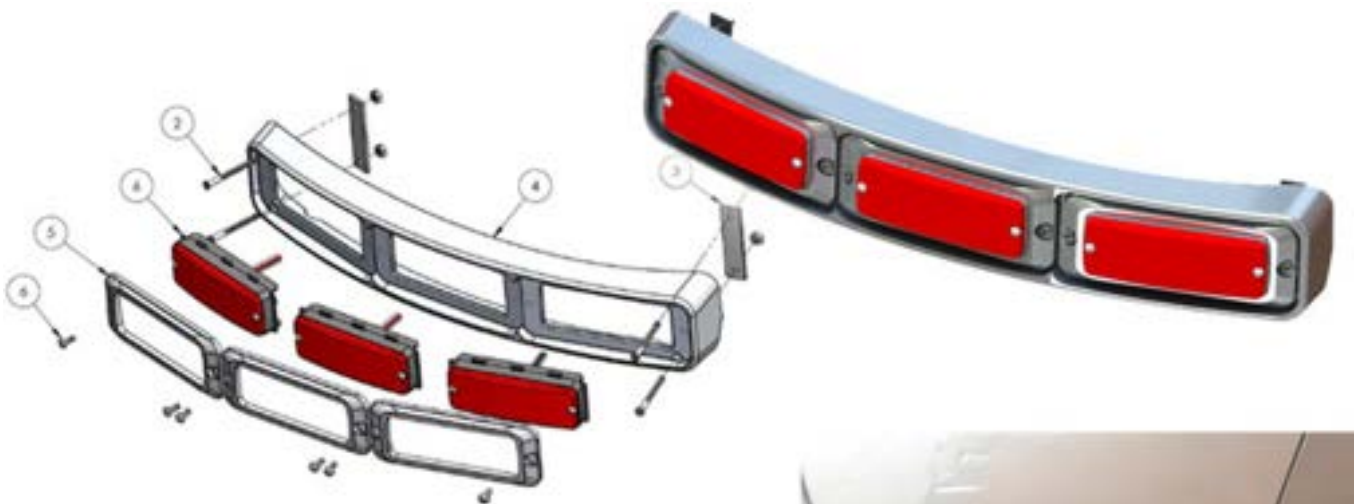
LH52709 LH52710



LH52709-1 & LH52710-1
Triple 500 Series, 2014 Sprinter
Under-the-Headlight Housing.

- 1) Finish: Exterior surfaces are polished
- 2) LH52709-1 Driver Side shown
LH52710-1 Passenger Side is opposite

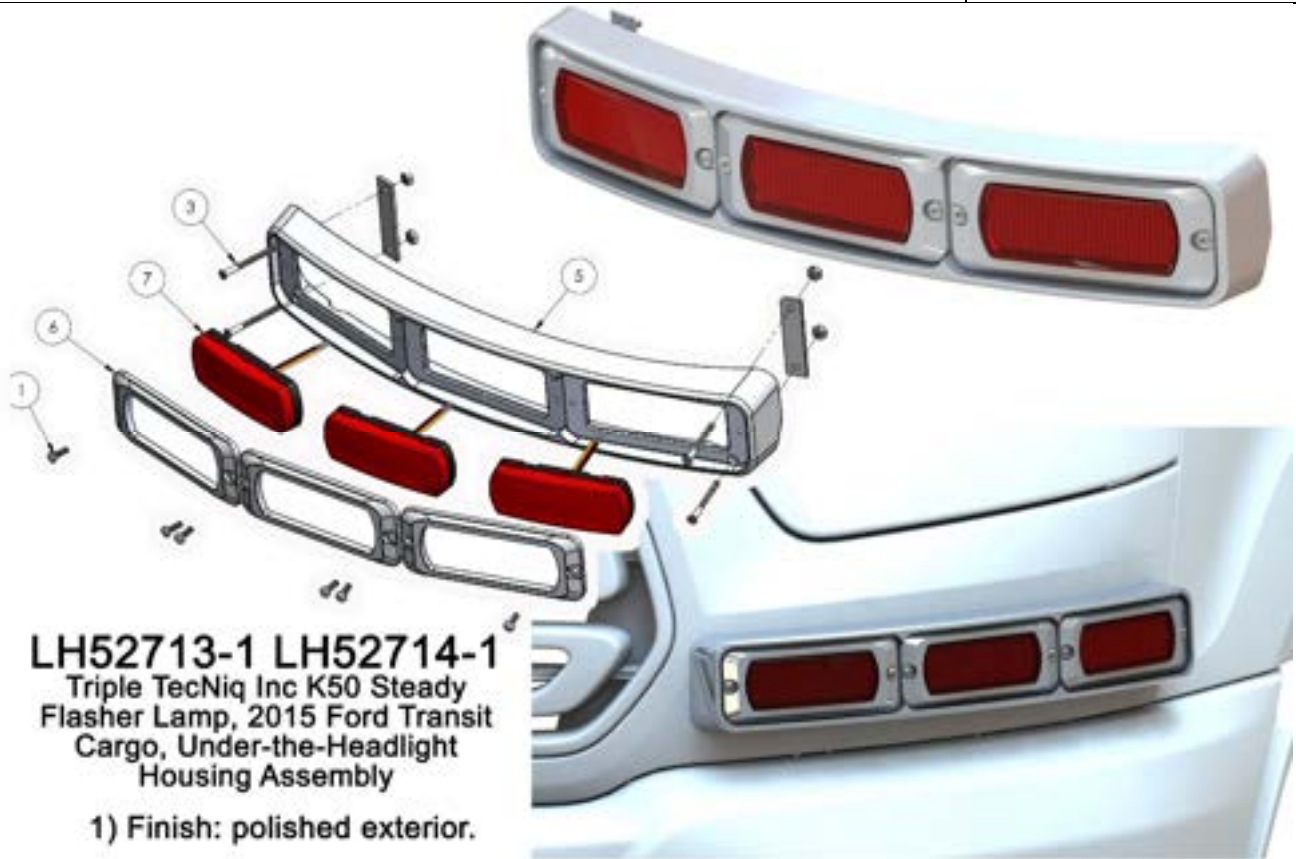
LH52711 LH52712



LH52711-1 & LH52712-1
Triple 500 Series Super LED TIR6,
2015 Ford Transit Cargo,
Under-the-Headlight Housing
Assembly



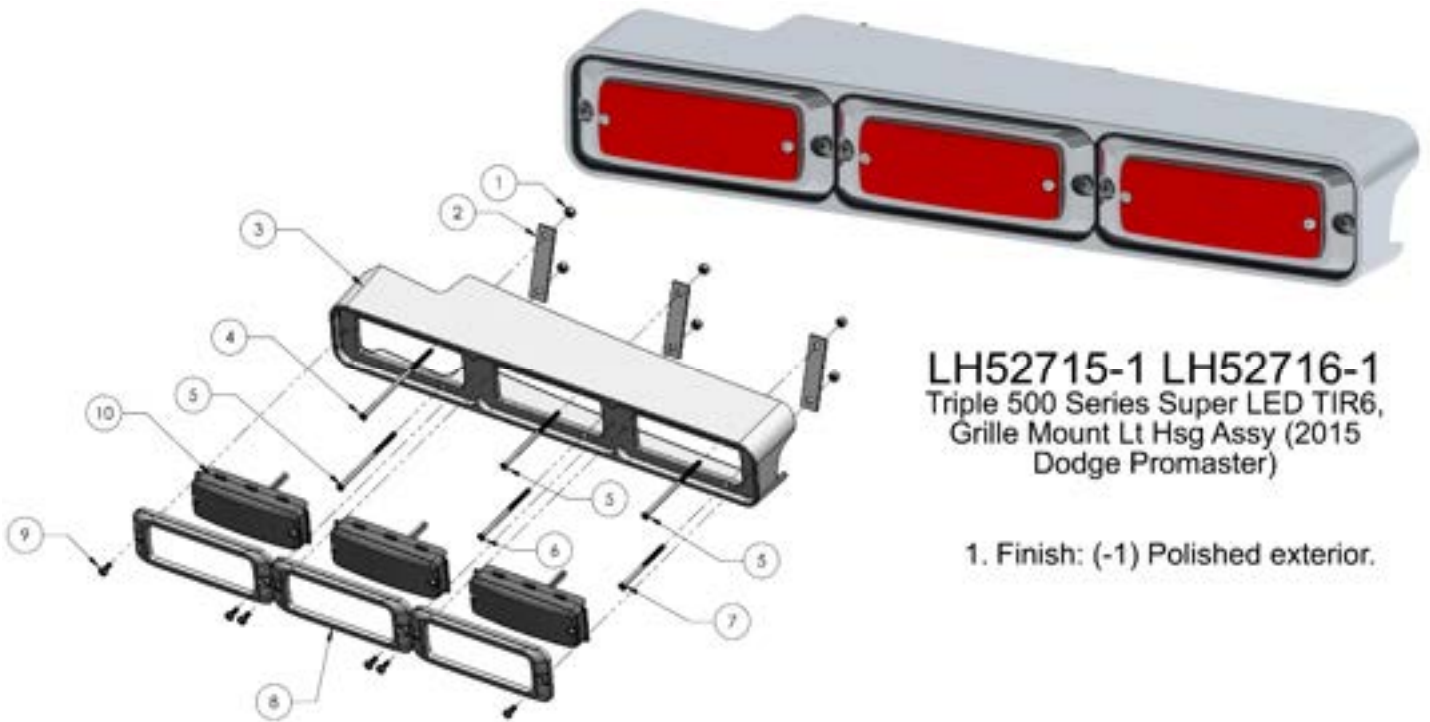
LH52713 LH52714



LH52713-1 LH52714-1
Triple TecNiq Inc K50 Steady
Flasher Lamp, 2015 Ford Transit
Cargo, Under-the-Headlight
Housing Assembly

1) Finish: polished exterior.

LH52715 LH52716

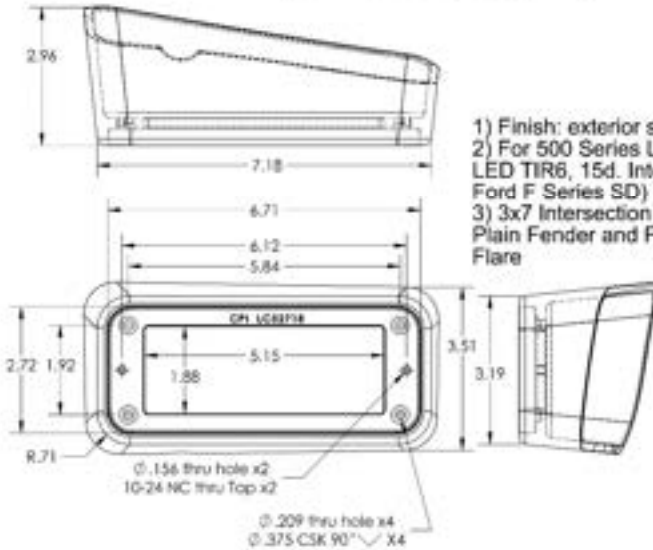


LH52715-1 LH52716-1
Triple 500 Series Super LED TIR6,
Grille Mount Lt Hsg Assy (2015
Dodge Promaster)

1. Finish: (-1) Polished exterior.

LH52717 LH52718

LH52717-1 LH52718-1
 Housing, 500 Series Linear Strobe and
 Super LED TIR6, 15d. Intersection Lt Hsg
 (2017 Ford F Series SD)

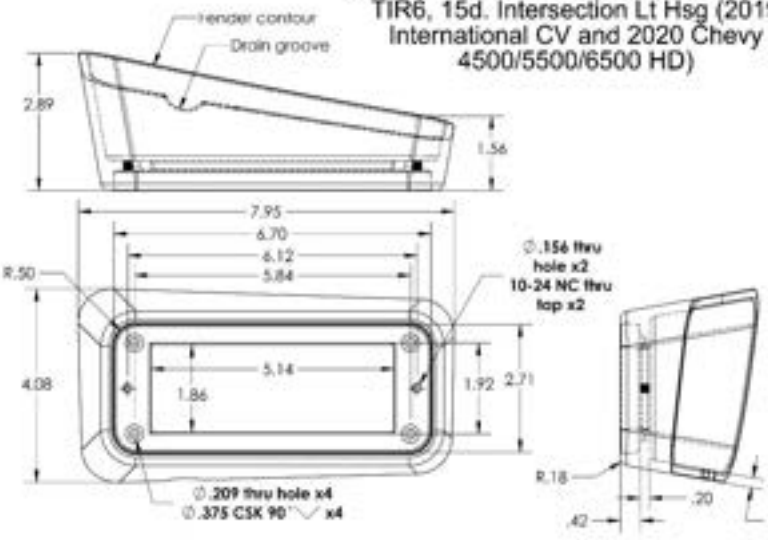


- 1) Finish: exterior surfaces are polished.
- 2) For 500 Series Linear Strobe and Super LED TIR6, 15d. Intersection Lt Hsg (2017 Ford F Series SD)
- 3) 3x7 Intersection Housing: works with Plain Fender and Fender with Large Fender Flare



LH52719 LH52720

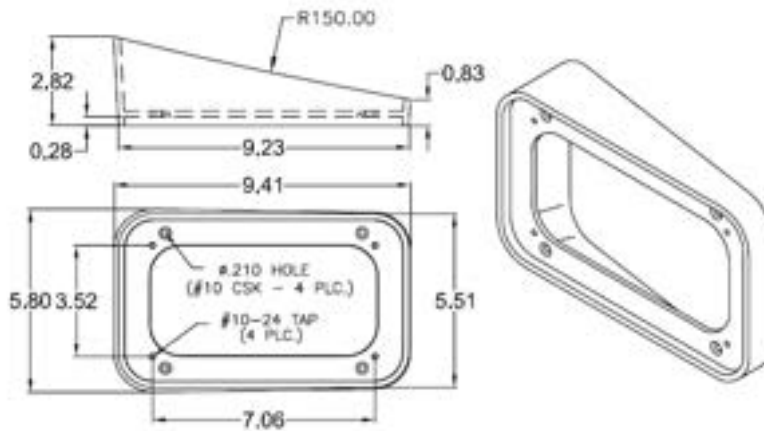
LH52719-1 LH52720-1
 500 Series Linear Strobe and Super LED
 TIR6, 15d. Intersection Lt Hsg (2019
 International CV and 2020 Chevy
 4500/5500/6500 HD)



- 1) Finish: exterior surfaces are polished.
- 2) For 500 Series Linear Strobe and Super LED TIR6, 15d. Intersection Lt Hsg (2019 International CV and 2020 Chevy 4500/5500/6500 HD)

5" x 8" Light Housings

LH58201



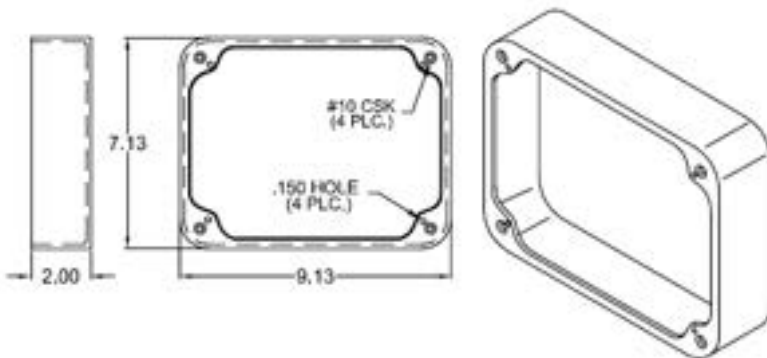
LH58201

**Light Housing
(508 Series)**

- 1) Finish: All exterior surfaces are bright polished.
- 2) Angle: 0°
- 3) Total surface mount. No clearance hole in the body required.
- 4) Fits halogen or linear strobe.
- 5) Fits cab curvature of 150" radius.

7" x 9" Light Housings

LH79101

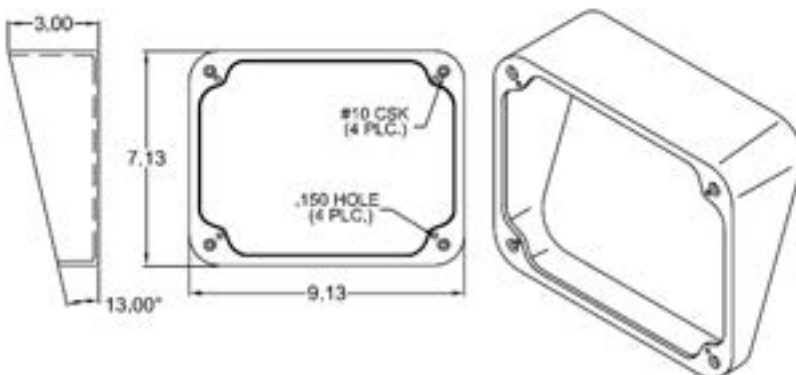


LH79101

**Light Housing
(7" x 9" Light)**

- 1) Finish: All exterior surfaces are bright polished.
- 2) Angle: 0°
- 3) Total surface mount. No clearance hole in the body required.

LH79102

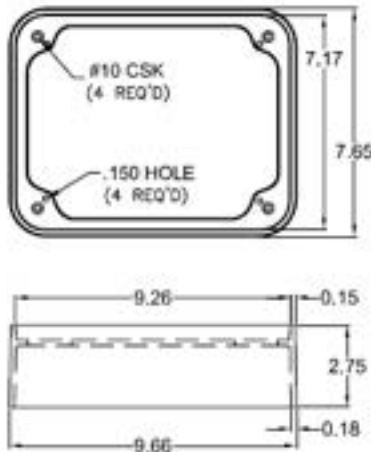


LH79102

**Light Housing
(7" x 9" Light)**

- 1) Finish: All exterior surfaces are bright polished.
- 2) Angle: 13°
- 3) Total surface mount. No clearance hole in the body required.

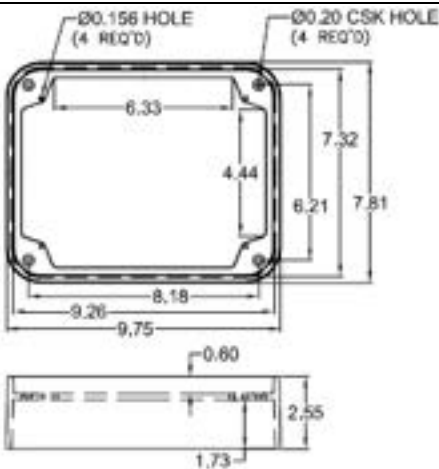
LH79103



LH79103 Light Housing (7" x 9" Light)

- 1) Finish: All exterior surfaces are bright polished.
- 2) Angle: 0°
- 3) Total surface mount. No clearance hole in the body required.

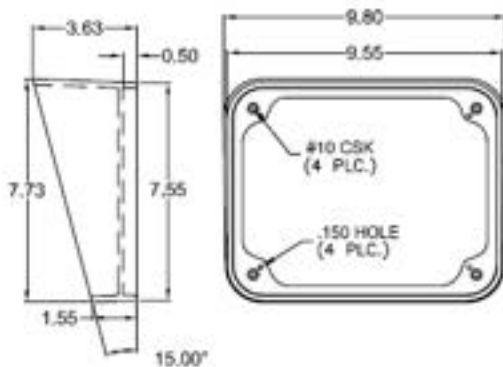
LH79104



LH79104 Light Housing (7" x 9" Light)

- 1) Finish: All exterior surfaces are bright polished.
- 2) Angle: 0°
- 3) Total surface mount. No clearance hole in the body required.

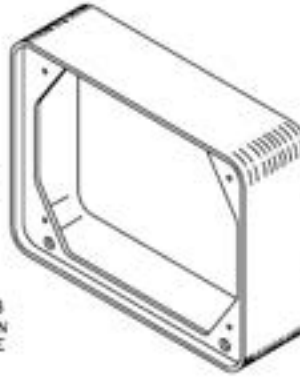
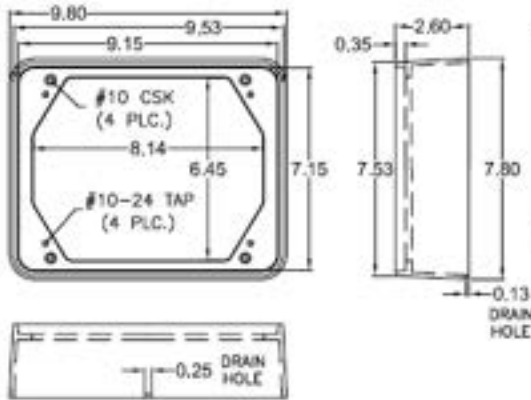
LH79105



LH79105 Light Housing (7" x 9" Light)

- 1) Finish: All exterior surfaces are bright polished.
- 2) Angle: 15°
- 3) Total surface mount. No clearance hole in the body required.

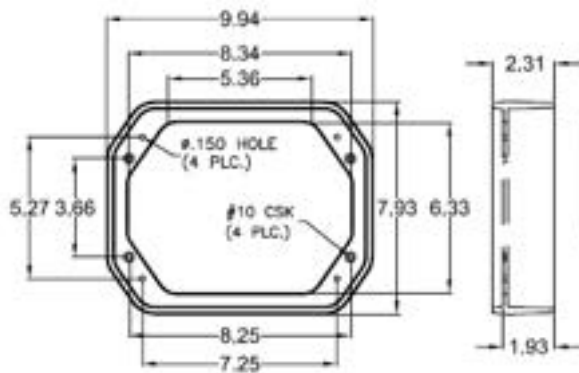
LH79106



LH79106 Light Housing (Weldon 7" x 9" Light)

- 1) Finish: All exterior surfaces are bright polished.
- 2) Angle: 0°

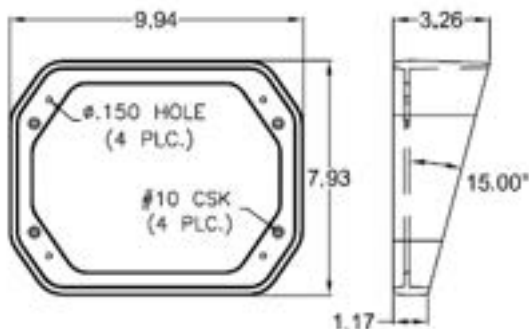
LH79107



LH79107 Light Housing (7" x 9" Code-3 Light)

- 1) Finish: All exterior surfaces are bright polished.
- 2) Angle: 0°
- 3) Total surface mount. No clearance hole in the body required.

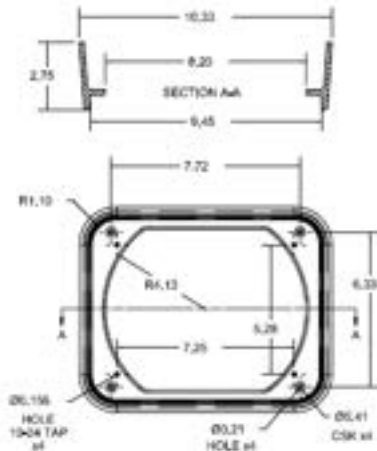
LH79108



LH79108 Light Housing (7" x 9" Code-3 Light)

- 1) Finish: All exterior surfaces are bright polished.
- 2) Angle: 15°
- 3) Total surface mount. No clearance hole in the body required.

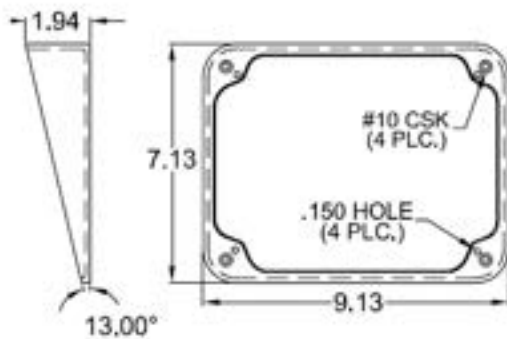
LH79110



LH79110 Light Housing (7" x 9" Code-3 Light)

- 1) Finish: All exterior surfaces are bright polished.
- 2) Angle: 0°
- 3) Total surface mount. No clearance hole in the body required.

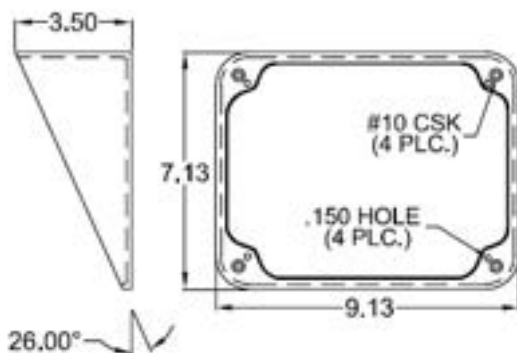
LH79201



LH79201 Light Housing (7" x 9" Light)

- 1) Finish: All exterior surfaces are bright polished.
- 2) Angle: 13°

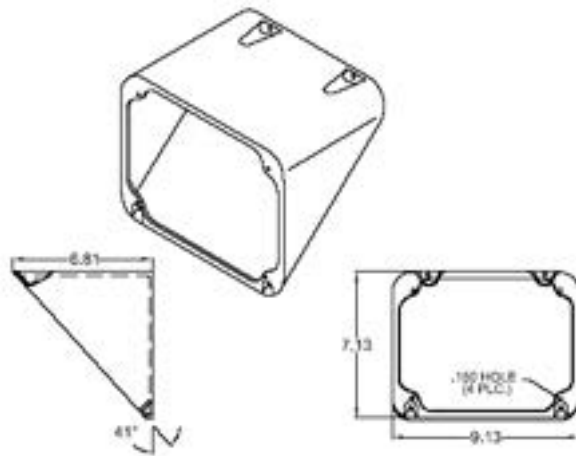
LH79202



LH79202 Light Housing (7" x 9" Light)

- 1) Finish: All exterior surfaces are bright polished.
- 2) Angle: 26°

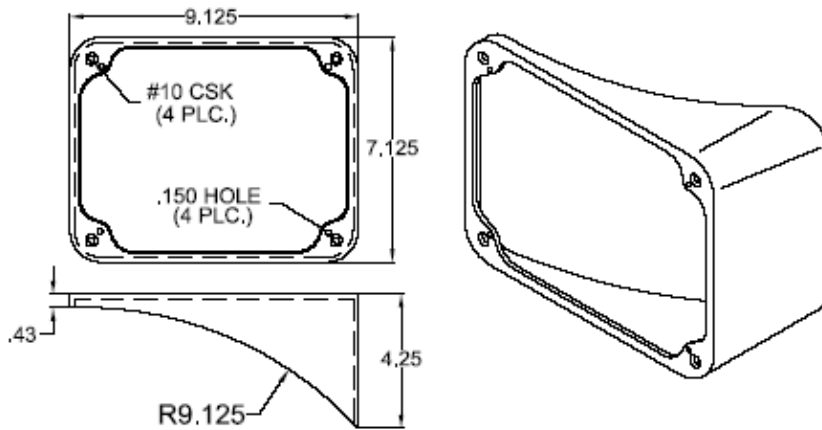
LH79205



LH79205 Light Housing (7" x 9" Light)

- 1) Finish: All exterior surfaces are bright polished.
- 2) Angle: 0°

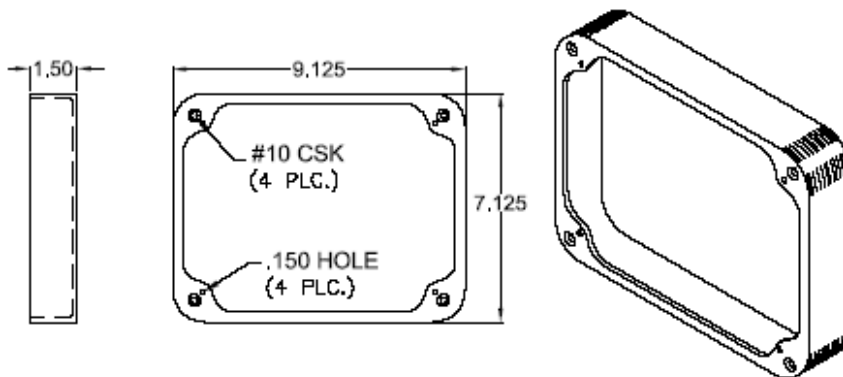
LH79207



LH79207 Light Housing (7" x 9" Light)

- 1) Finish: All exterior surfaces are bright polished or 120 grit ground.
- 2) Radius: 9 1/8"

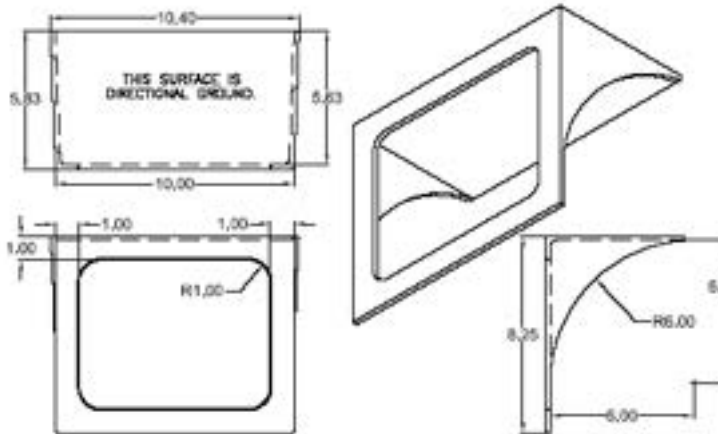
LH79209



LH79209 Light Housing (7" x 9" Light)

- 1) Finish: All exterior surfaces are bright polished or 120 grit ground.
- 2) Angle: 0°

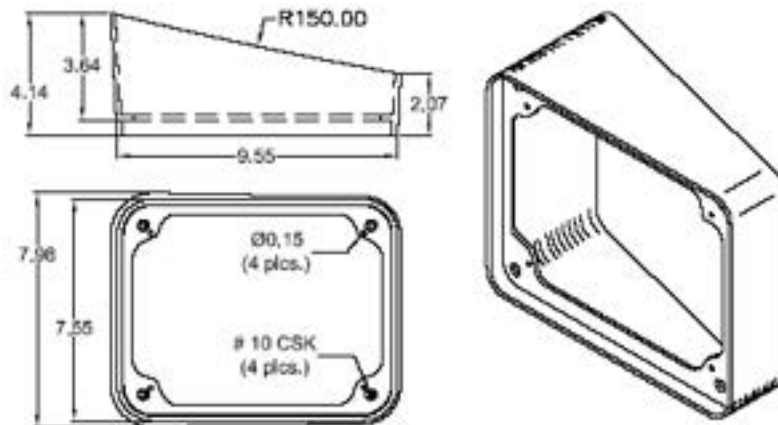
LH79210



LH79210 Light Housing (7" x 9" Light)

- 1) Finish: All exterior surfaces are bright polished or 120 grit ground.
- 2) Mounts to the top 6" radius rail of the module body.

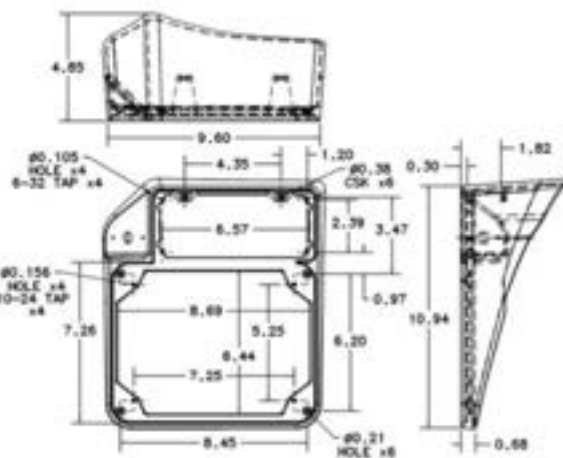
LH79211



LH79211 Light Housing (7" x 9" Light)

- 1) Finish: All exterior surfaces are bright polished or 120 grit ground.
- 2) Mounts to the top 150" radius rail of the module body.

LH79215 LH79216

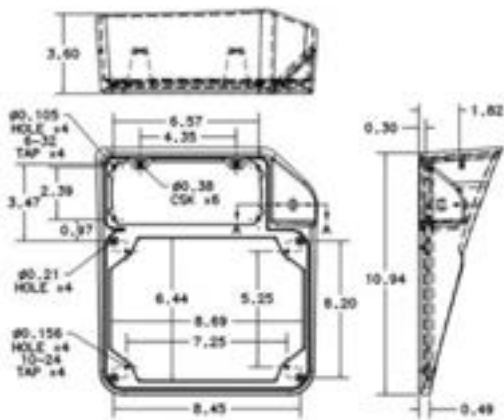


LH79215 and LH79216 Front 7x9 3x7 Marker Light Housing for 2008 Dodge Sprinter



- 1) Finish: polished exterior.
- 2) LH79215 Driver Side.
LH79216 Passenger Side.
- 3) Mounts at top of

LH79217 LH79218

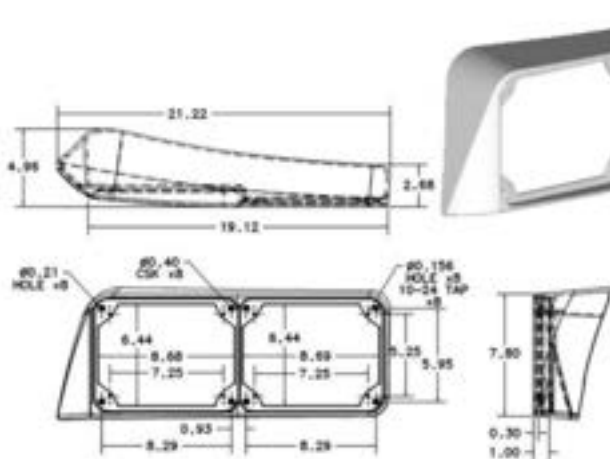


**LH79217 and
LH79218**
Rear 7x9 3x7 Marker
Light Housing for 2008
Dodge Sprinter



- 1) Finish: polished exterior.
- 2) LH79217 Driver Side.
LH79218 Passenger Side.
- 3) Mounts at top of

LH79219 LH79220



**LH79219 and
LH79220**
Rear 7x9 & 7x9 Light
Housings for 2008
Dodge Sprinter

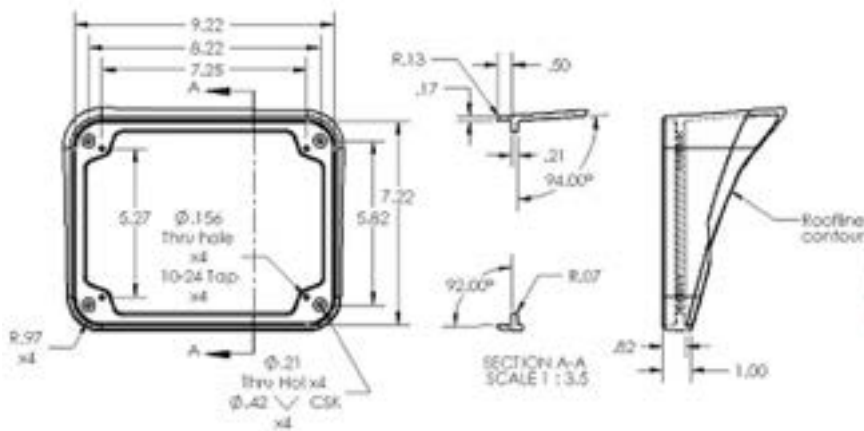


- 1) Finish: polished exterior.
- 2) LH79219 Driver Side.
LH79220 Passenger Side.
- 3) Mounts at top of

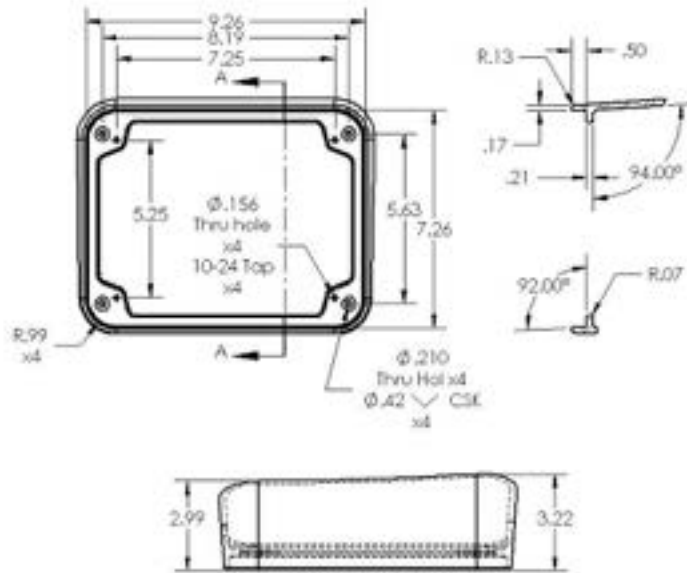
LH79221 LH79222

LH79221 & LH79222 Front 7x9 Light Housings (2008 Dodge Sprinter)

- 1) Finish: Exterior Surface Polished
- 2) LH79221 Front Driver Side Shown
- 3) LH79222 Front Passenger Side Opposite



LH79223 LH79224

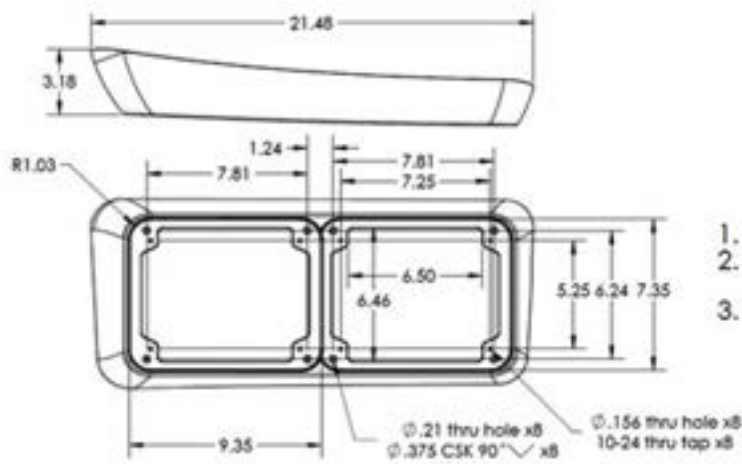


LH79223 & LH79224 Rear 7x9 Light Housings (2008 Dodge Sprinter)

- 1) Finish: Exterior Surface Polished
- 2) LH79223 Rear Driver Side Shown
- 3) LH79224 Rear Passenger Side Opposite



LH79225 LH79226



LH79225-1 & LH79226-1 Rear 7x9 7x9 Light Housing (2015 Ford Transit Cargo Van - High Roof)

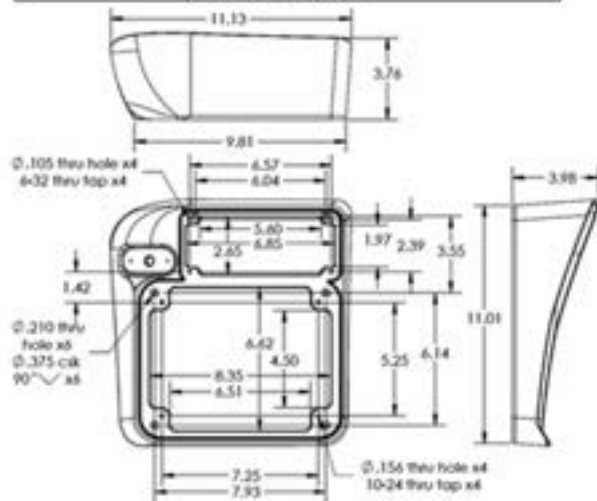
1. Finish: exterior is polished.
2. LH79225-1 Driver side (shown).
LH79226-1 Passenger side is opposite.
3. For mounting Dual 7x9 Lights on rear doors of 2015 Ford Transit Cargo Van - High Roof).



LH79227 LH79228

1. Finish: polished exterior surfaces.
2. For **High Roof** only, 2015 Ford Transit Cargo Van.
3. Combination 7x9 3x7 & Marker Light Housings.

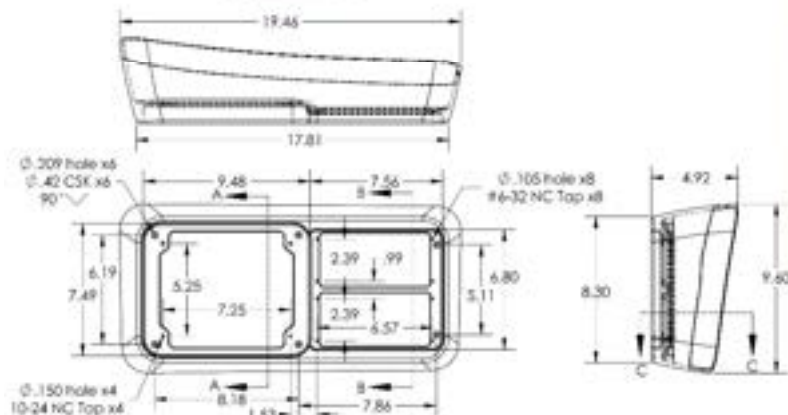
LH79227-1	Driver - Front (shown) Passenger - Rear (shown)
LH79228-1	Passenger - Front Driver - Rear



LH79227-1 & LH79228-1 Front/Side and Passenger - Rear/Side 7x9 3x7 & Marker Light Housing (2015 Ford Transit Cargo Van - High Roof)



LH79229 LH79230

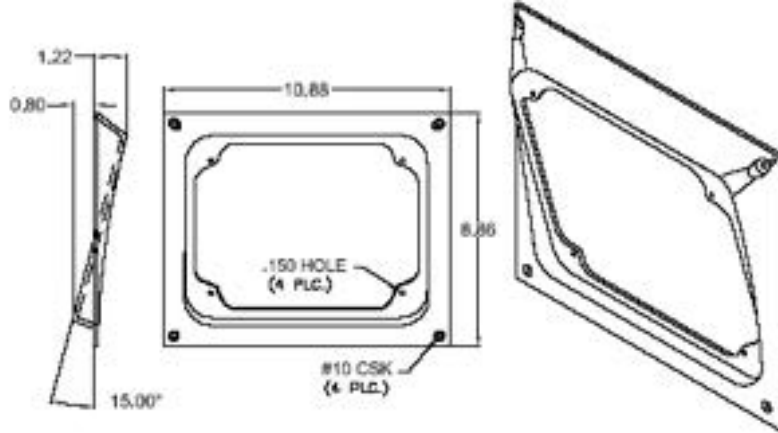


LH79229-1 LH79230-1 High Roof, Rear Light Housing: Single 900 Light and two 700 Lights



1. Application; Driver Side, High Roof, Rear Light Housing: Single 900 7 x 9 Light and two 700 Scene, LED or Halogen 3 x 7 Lights (2015 Ford Transit Cargo Van).
2. Finish: polished exterior.

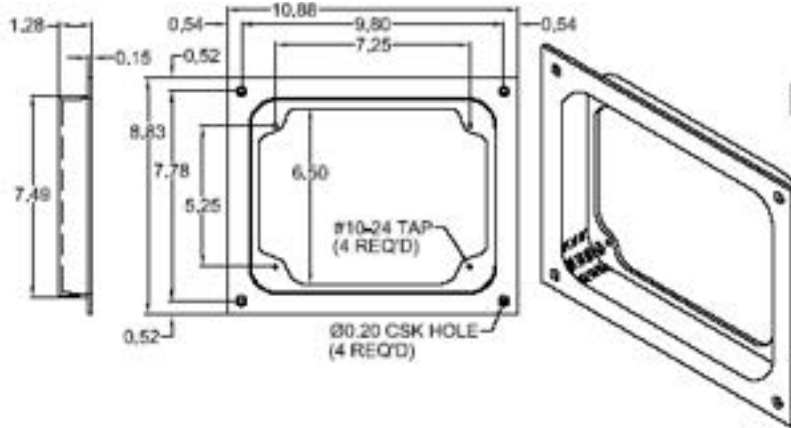
LH79301



LH79301 "Half-in" Light Housing (7" x 9" Light)

- 1) Finish: All exterior surfaces are bright polished or 120 grit ground.
- 2) Angle: 15°

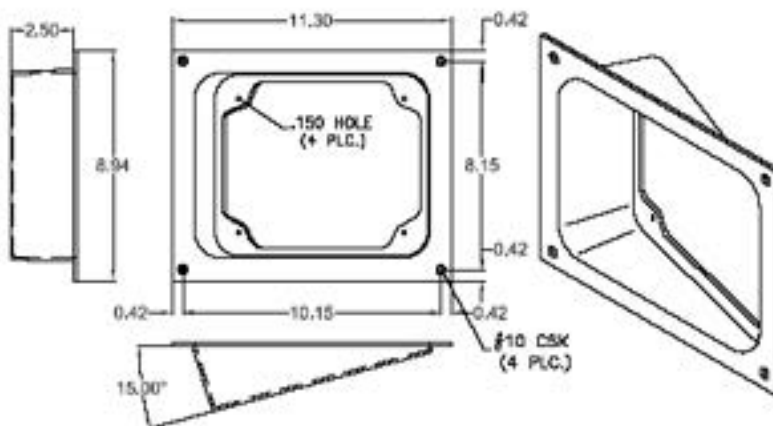
LH79302



LH79302 Recessed Light Housing (7" x 9" Light)

- 1) Finish: All exterior surfaces are bright polished or 120 grit ground.
- 2) Angle: 0°
- 3) Available with or without Flange mounting holes (customer please specify).

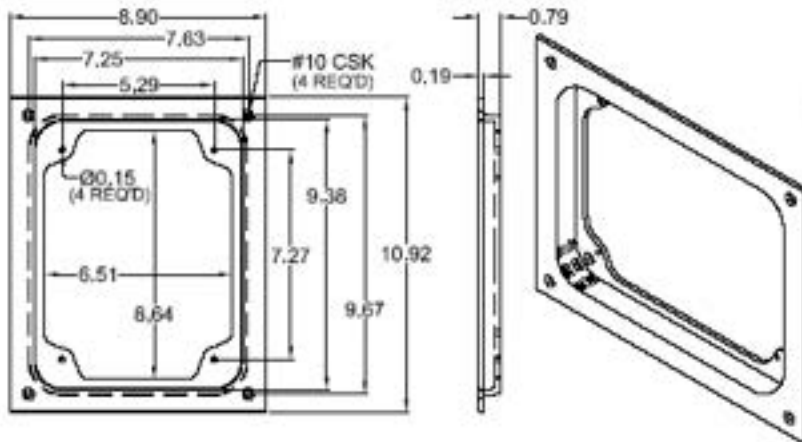
LH79304



LH79304 Recessed Light Housing (7" x 9" Light)

- 1) Finish: All exterior surfaces are bright polished or 120 grit ground.
- 2) Angle: 15°
- 3) Available with or without Flange mounting holes (customer please specify).
- 4) Use as an Intersection Light Housing.

LH79311

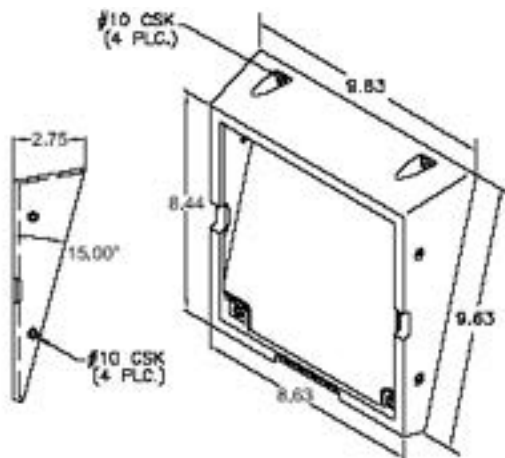


LH79311 Recessed Light Housing (7" x 9" Light)

- 1) Finish: All exterior surfaces are bright polished.
- 2) Angle: 0°
- 3) Available with or without Flange mounting holes (customer please specify).

Misc. Lights

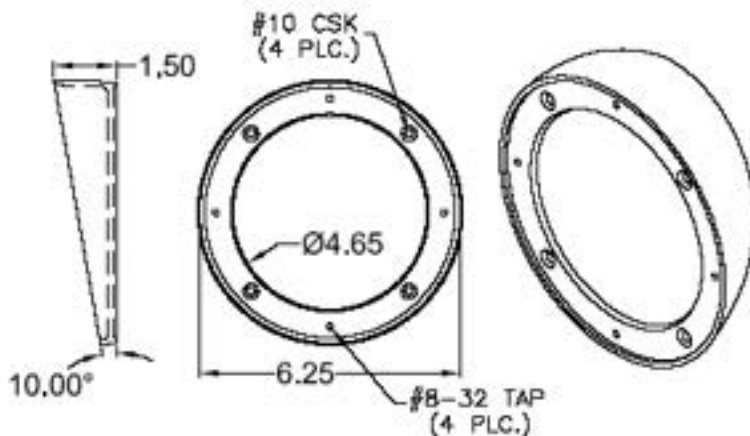
LH90201



LH90201 Light Trim GE 500 watt Quartz Light

- 1) Finish: All exterior surfaces are bright polished.
- 2) Angle: 0°

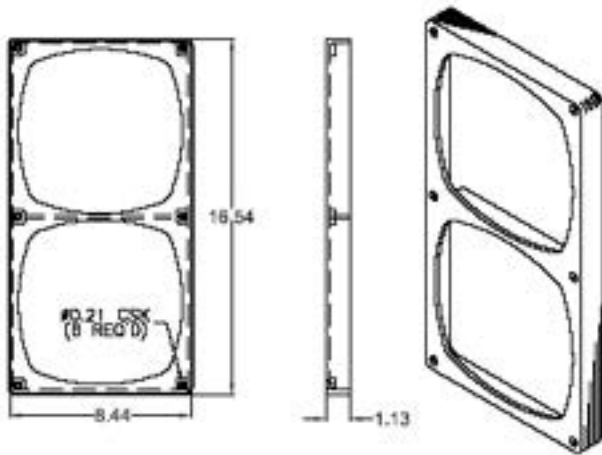
LH90301



LH90301 Light Housing (Betts B70A Light)

- 1) Finish: All exterior surfaces are bright polished or 120 grit ground.
- 2) Angle: 10°

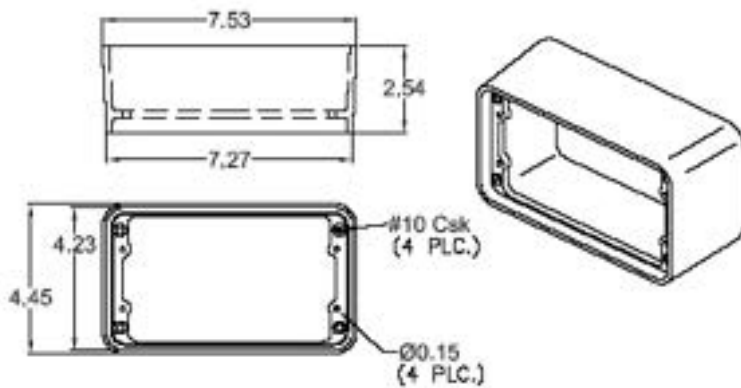
LH90405



LH90405 Double Light Trim Cat's Eye CE-600

- 1) Finish: all exterior surfaces are bright polished or 120 grit ground.
- 2) Angle: 0°
- 3) Function: provides an aesthetic trim where a two light cluster is to be mounted.

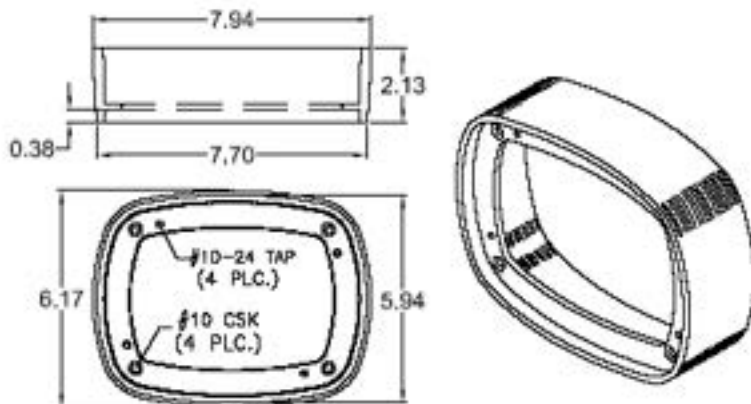
LH90504



LH90504 Light Housing Code-3 Oscillator

- 1) Finish: All exterior surfaces are bright polished.
- 2) Angle: 0°
- 3) Total Surface Mount, No clearance hole in the body required.

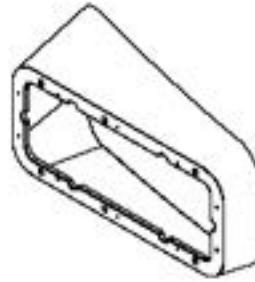
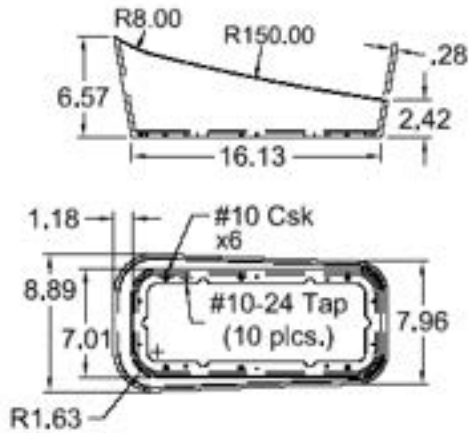
LH90603



LH90603 Light Housing Federal Signal GS2F Light

- 1) Finish: All exterior surfaces are bright polished or 120 grit ground.
- 2) Angle: 0°
- 3) Total surface mount. No clearance hole in the body required.

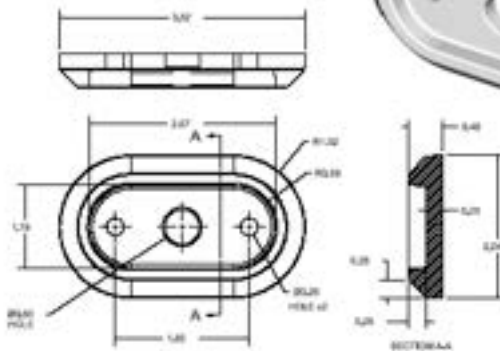
LH90902



LH90902 Light Housing KD Lamp Headlight

- 1) Finish: All exterior surfaces are bright polished or 120 grit ground.
- 2) Angle: 0°
- 3) Function: Mounts the light to a 150° radius Cab surface.
- 4) Total Surface Mount. No clearance hole in the body required.

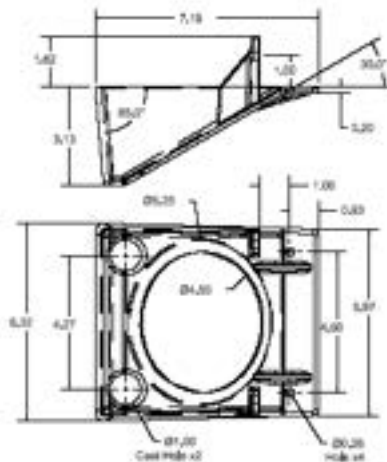
LH91102



LH91102 Marker Light Housing - Weldon C9186 LED

- 1) Finish: All exterior surfaces are bright polished.
- 2) Angle: 0°

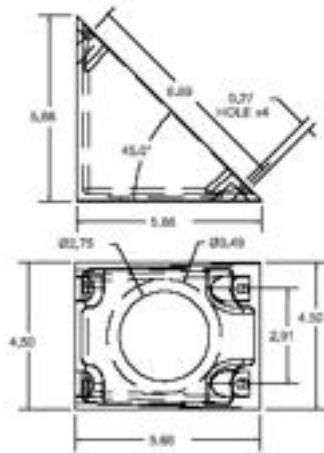
LH91201



LH91201 UnderBody Light Housing

- 1) Finish: ball-burnished.
- 2) Angle: 30°

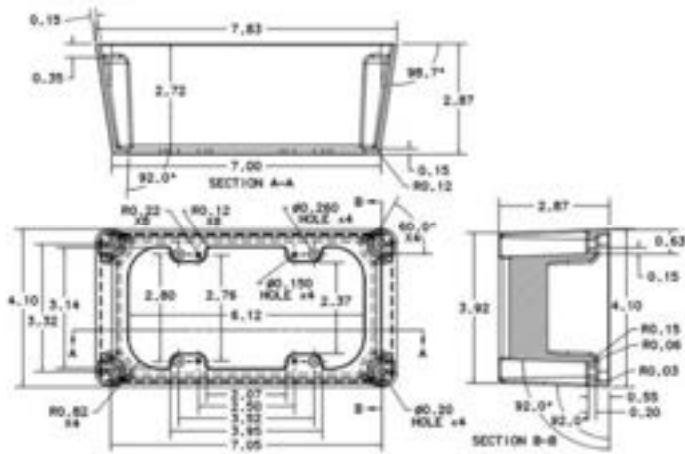
LH91203



LH91203 Tank Marker Light Bracket

- 1) Finish: All exterior surfaces are bright polished.
- 2) Angle: 45°

LH91401



LH91401 Surface Mount Light Housing

- 1) Finish: Polished exterior.