

TMC1025

ITEM NO.	PART NUMBER	DESCRIPTION	QTY
1	TMC1024-5	6.0' Sch 40 PVC - Pin Design - Pike Pole Tube Door Assembly	1
2	TMC0079	Short Stanchion Kit - 6.0' sch 40 PVC Pipe	1



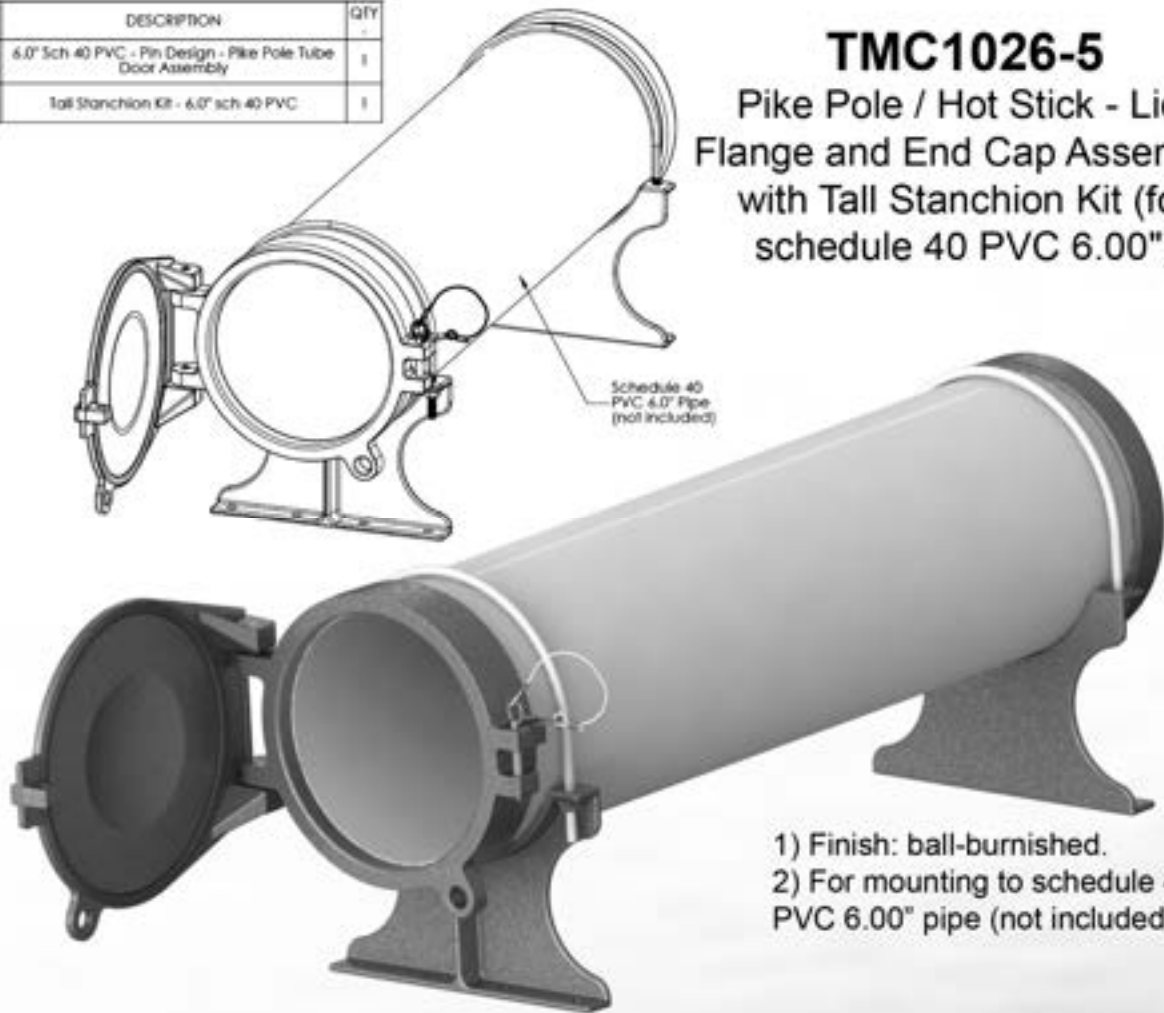
TMC1025-5

Pike Pole / Hot Stick - Lid, Flange and End Cap Assembly with Short Stanchion Kit (for schedule 40 PVC 6.00")

- 1) Finish: ball-burnished.
- 2) For mounting to schedule 40 PVC 6.00" pipe (not included)

TMC1026

ITEM NO.	PART NUMBER	DESCRIPTION	QTY
1	TMC1024-5	6.0" Sch 40 PVC - Pin Design - Pike Pole Tube Door Assembly	1
2	TMC0080	Tall Stanchion Kit - 6.0" sch 40 PVC	1



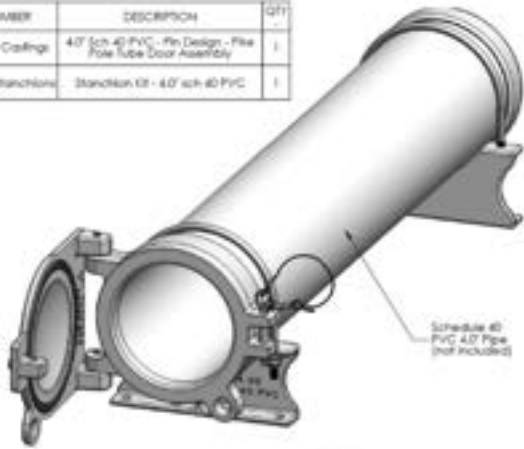
TMC1026-5

Pike Pole / Hot Stick - Lid, Flange and End Cap Assembly with Tall Stanchion Kit (for schedule 40 PVC 6.00")

- 1) Finish: ball-burnished.
- 2) For mounting to schedule 40 PVC 6.00" pipe (not included)

TMC1040

ITEM NO.	PART NUMBER	DESCRIPTION	QTY
1	TMC1040-5 Casting	4.0" (sch 40) PVC - Flange Design - Pike Pole Tube Door Assembly	1
2	TMC1040-5 Stanchion	Stanchion Kit - 4.0" sch 40 PVC	1



TMC1040-5

Pike Pole / Hot Stick - Lid, Flange and End Cap Assembly with Stanchion Kit (for schedule 40 PVC 4.00")



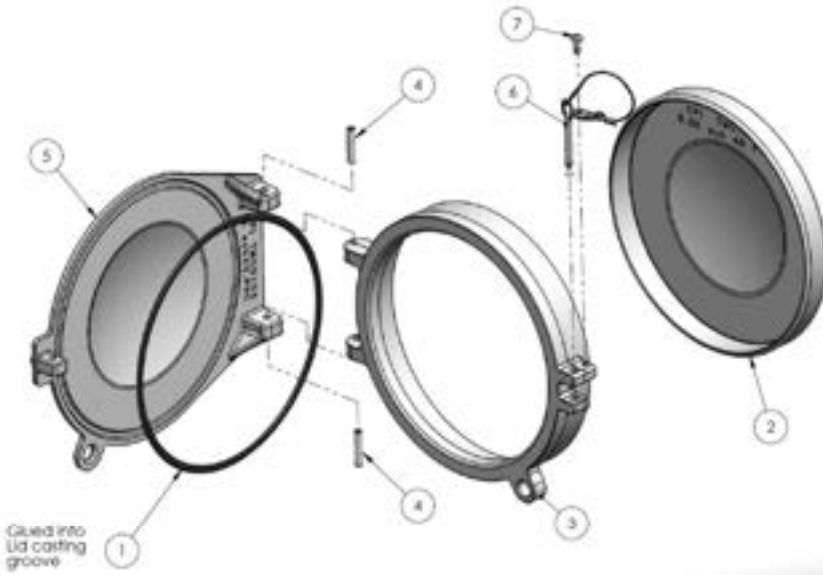
- 1) Finish: ball-burnished.
- 2) For mounting to schedule 40 PVC 4.00" pipe (not included)

TMC1043

TMC1043-5

Pike Pole / Hot Stick - Lid, Flange and Pin Assembly, with End Cap Casting (for 8.0" sch 40 PVC)

- 1) Finish: ball-burnished.
- 2) For mounting to schedule 40 PVC 8.00" pipe (not included)



ITEM NO.	PART NUMBER	DESCRIPTION	QTY
1	AH6100 x 27-25	27" diameter x 27.25" Cast Caplet	1
2	TMC2102-5	End Cap Casting (for schedule 40 PVC 8.00")	1
3	TMC2105-5	Flange Casting - Pin Design (for schedule 40 PVC 8.00")	1
4	AH6110	20" x 1.25" Spring Pin Stainless	2
5	TMC2104-5	Lid Casting - Pin Design (for schedule 40 PVC 8.00")	1
6	AH6240	1/4" Stainless Pin with Ball Socket and lanyard	1
7	AH6206	3/8-24 x .307 MS Phillips Pan Head Screw Stainless	1



TMC1044

ITEM NO.	PART NUMBER	DESCRIPTION	QTY
1	AHQ14P	1/4-20 Nylon Insert Lock Nut Stainless	4
2	AHQ15a	1/4" Split Lock Washer Stainless	4
3	AHQ17C	1/4" SS Flat Washer Stainless	4
4	AHQ247	1/4-20 U-Bolt #4.3125" x 2.54" x 1.48" Threaded Stainless	2
5	TMC105-5	Short Stanchion Bracket Casting (for schedule 40 PVC 8.00")	2
6	TMC1943-5	8.0" Sch 40 PVC - Pin Design - Pike Pole Tube Doll Assembly	1

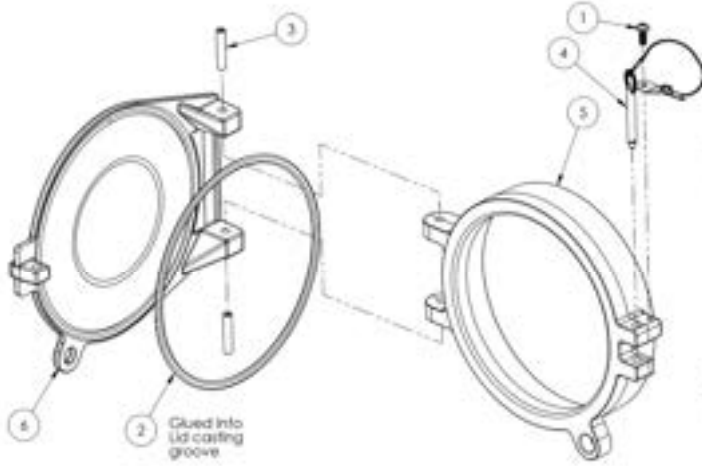
TMC1044-5

Pike Pole / Hot Stick - Lid, Flange and Pin Assembly, Short Stanchions, with End Cap Casting and U-Bolts (for 8.0" sch 40 PVC)



- 1) Finish: ball-burnished.
- 2) For mounting to schedule 40 PVC 8.00" pipe (not included)

TMC1045



TMC145-5

6.0" Sch 40 PVC - Pin Design - Pike Pole Tube Door Assembly

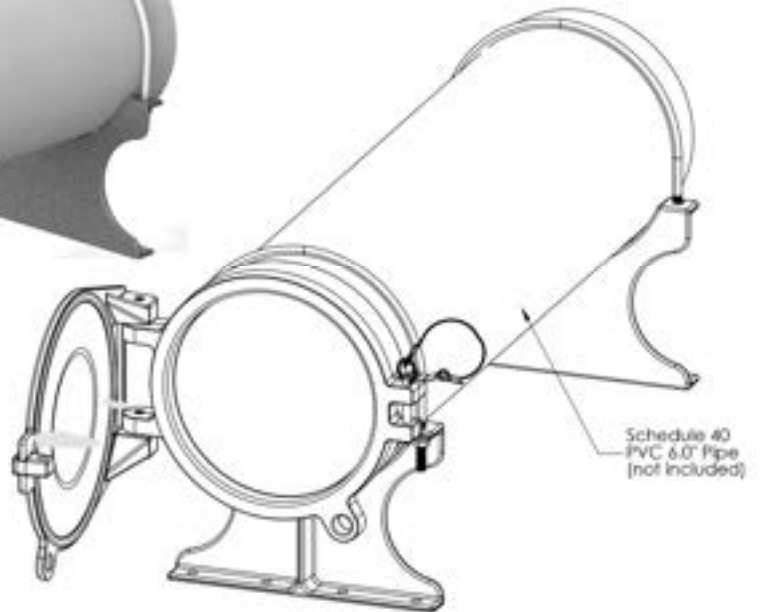


TMC1046

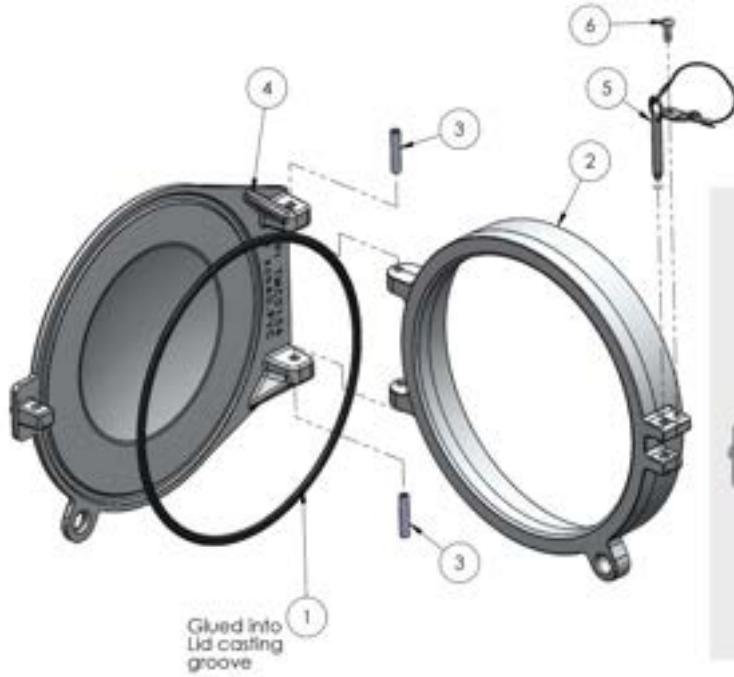


TMC1046-5 Kit

Pike Pole / Hot Stick - Lid, Flange and End Cap Assembly with Tall Stanchion Kit (for schedule 40 PVC 6.00")



TMC1048



TMC1048-5

8.0" sch 40 PVC, Pike Pole / Hot Stick - Lid, Flange and Pin Assembly (for schedule 40 PVC 8.00" - not included)



TMC1049

TMC1049-5

4.0" Sch 40 PVC - Pin Design - Pike Pole Tube Door Assembly



TMC1050

TMC1050-5

4.0" Sch 40 PVC - Pin Design - Pike
Pole Tube Door Assembly

