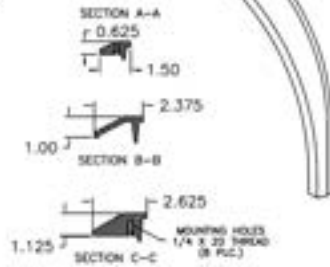
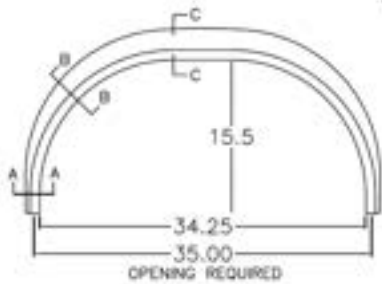


# Fenderettes

**FD1002**

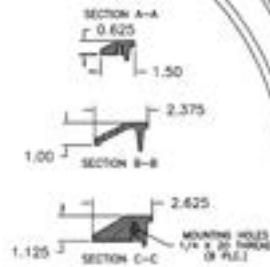
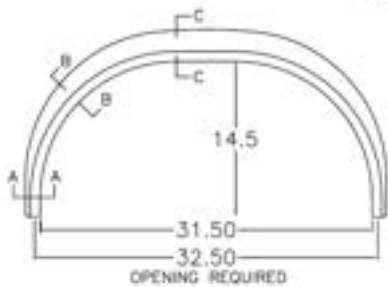
**FD1002**  
**Fenderette**



1) Finish: all exterior surfaces are polished with concealed mounting hardware.

**FD1004**

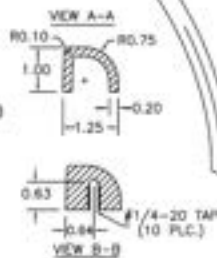
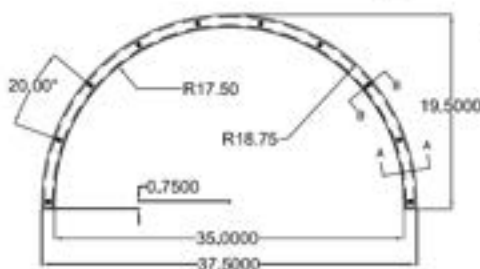
**FD1004**  
**Fenderette**



1) Finish: all exterior surfaces are polished with concealed mounting hardware.

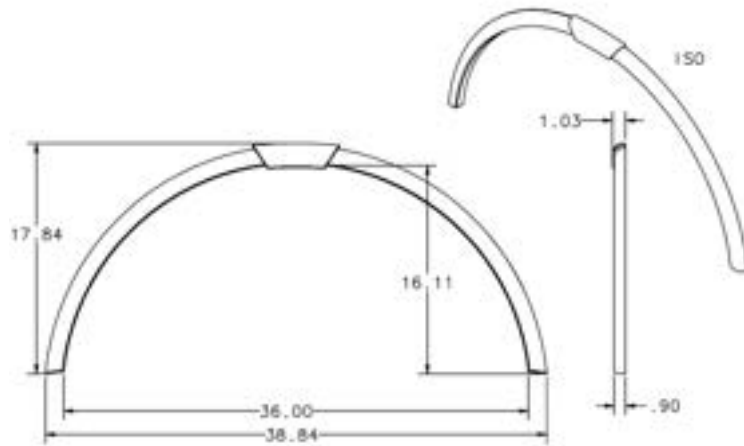
**FD1005**

**FD1005**  
**Fenderette**  
**18 3/4" Radius**



1) Finish: all exterior surfaces are polished with concealed mounting hardware.

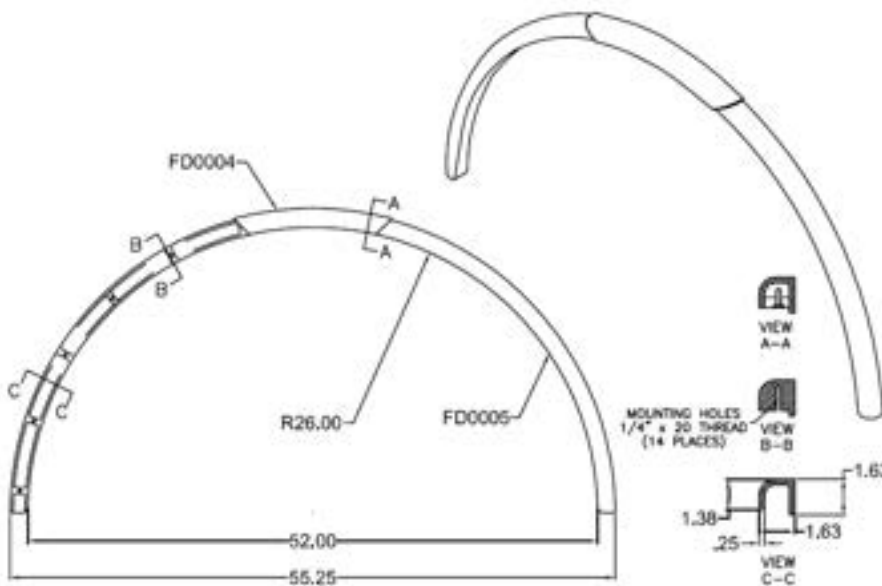
**FD1006**



**FD1006**  
**3 Piece Fenderette**  
**16 1/8" Radius**

- 1) Finish: all exterior surfaces are polished with concealed mounting hardware.
- 2) Halves are joined together at the crest section with 1/4x20 flat-head screws and retaining tabs (furnished).
- 3) Units are shipped unassembled.

**FD1007**



**FD1007**  
**3 Piece Fenderette**  
**26" Radius**

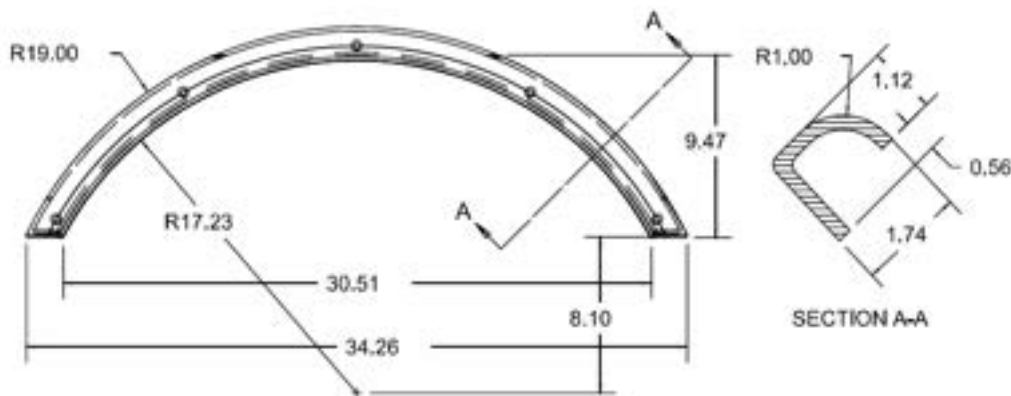
- 1) Finish: all exterior surfaces are polished with concealed mounting hardware.
- 2) Halves are joined together at the crest section with 1/4x20 flat-head screws and retaining tabs (furnished).
- 3) Units are shipped unassembled.

FD1008

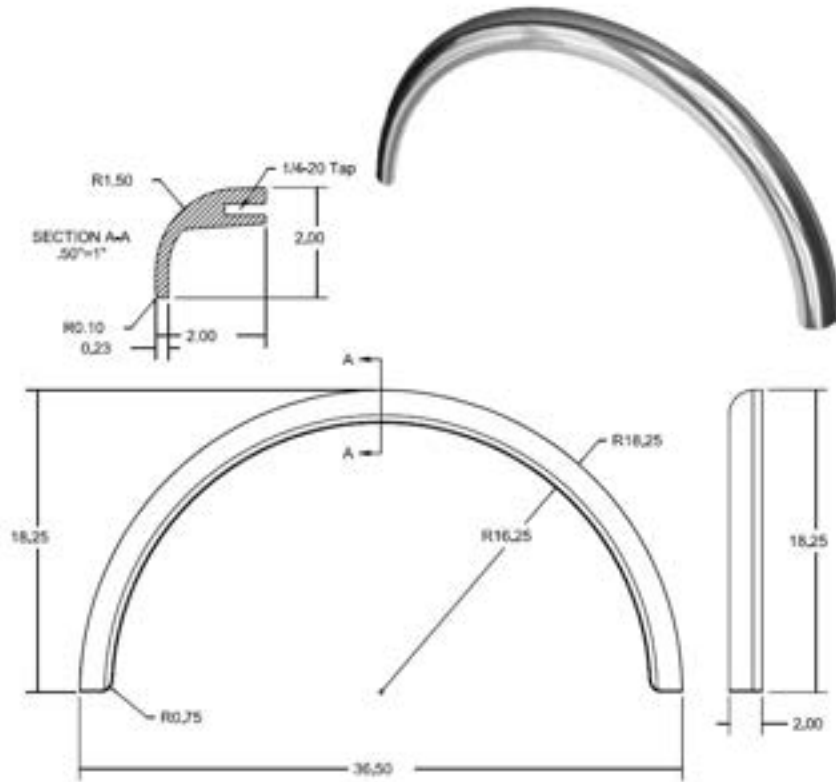


# FD1008 Fenderette 17 1/4" Radius

- 1) Finish:  
ball-burnished.
- 2) Rear notch for 1/4"  
thick side wall rub rail.



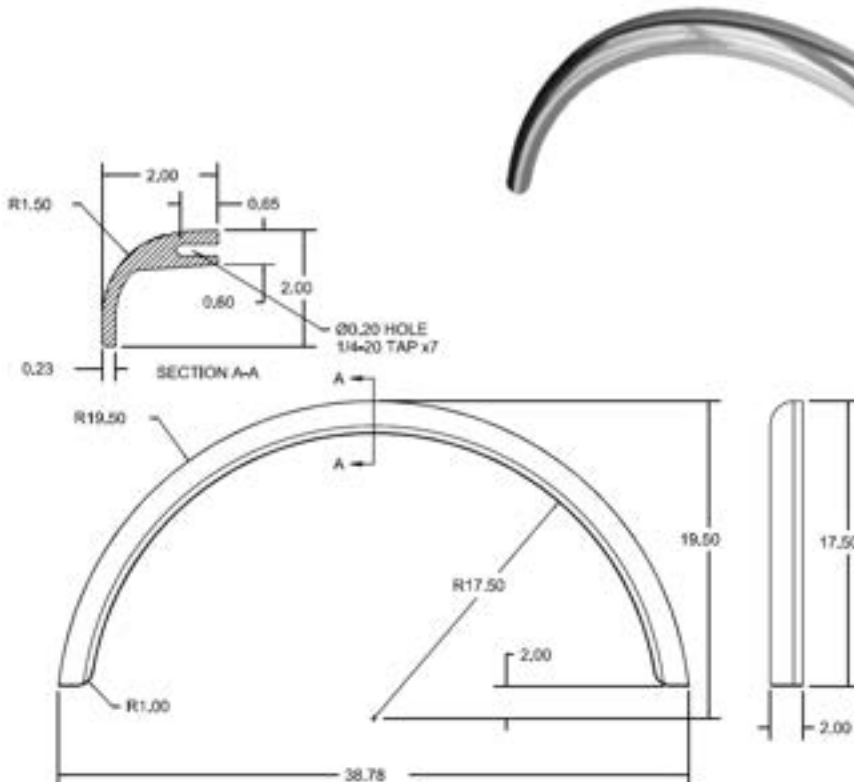
**FD1009**



**FD1009**  
**Fenderette 16 1/4"**  
**Radius**

1) Finish: all exterior surfaces are polished with concealed mounting hardware.

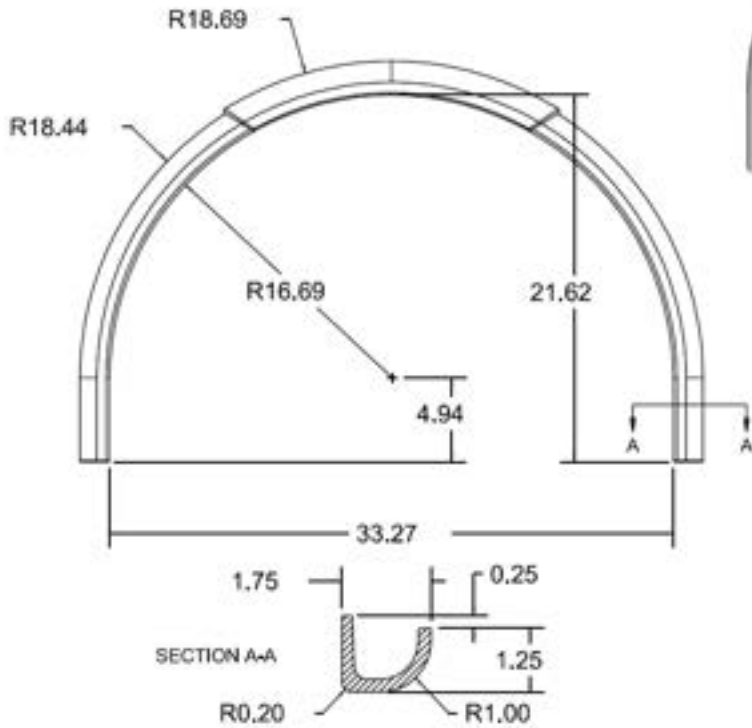
**FD1010**



**FD1010**  
**Fenderette**  
**17 1/2" Radius**

1) Finish: all exterior surfaces are polished.  
2) Concealed mounting.

## FD1011



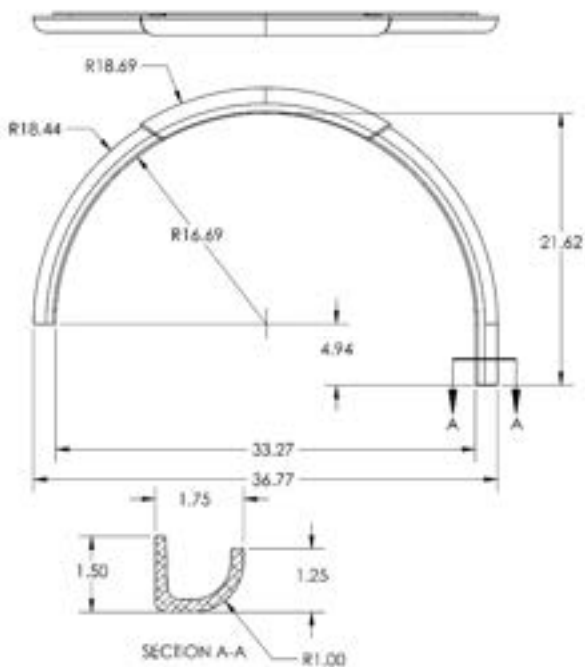
## FD1011

### 3 pc. Fenderette

### 16 5/8" Radius

- 1) Finish: all exterior surfaces are polished.
- 2) Concealed mounting.

## FD1012



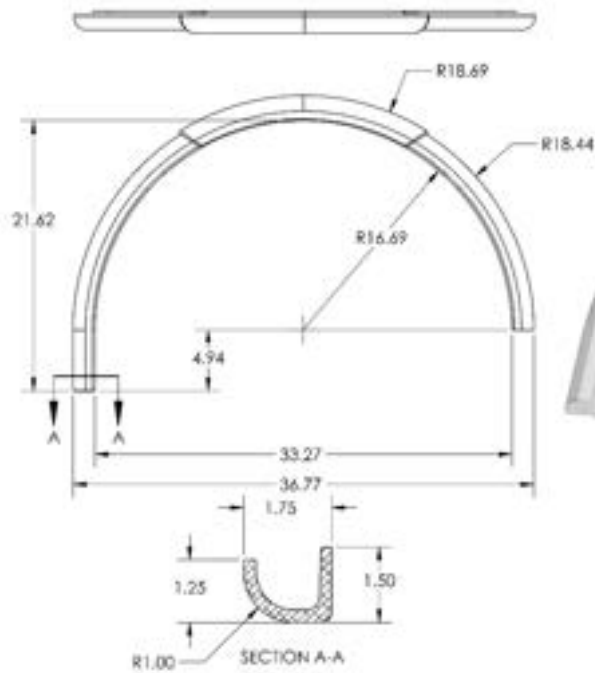
## FD1012

### 3 pc. Fenderette

### 16 5/8" Radius

- 1) Finish: all exterior surfaces are polished.
- 2) Concealed mounting.

## FD1013



## FD1013

### 3 pc. Fenderette 16 5/8" Radius

- 1) Finish: all exterior surfaces are polished.
- 2) Concealed mounting.

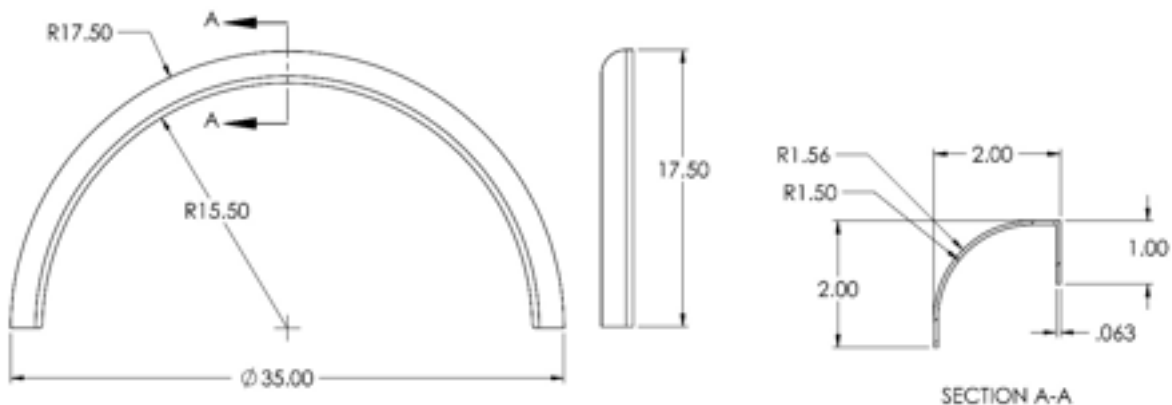
## FD1014



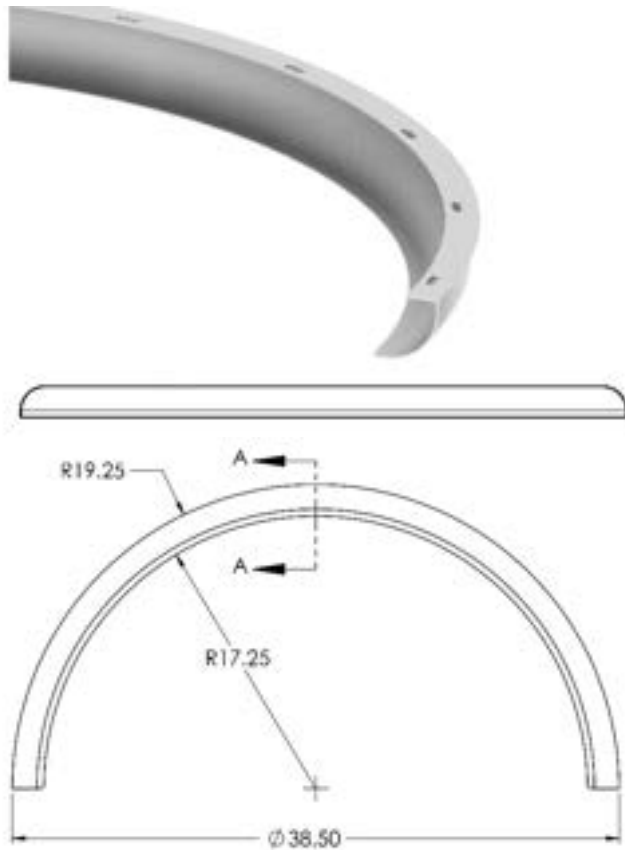
## FD1014

### Fenderette, 1 Piece, 15.50" ID Radius

1. Material: 304 stainless steel (16 gauge).
2. Finish: (-1) Polished exterior.



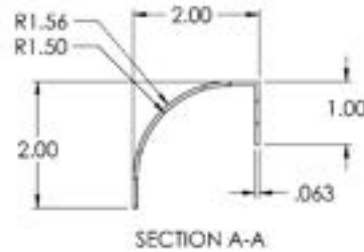
## FD1015



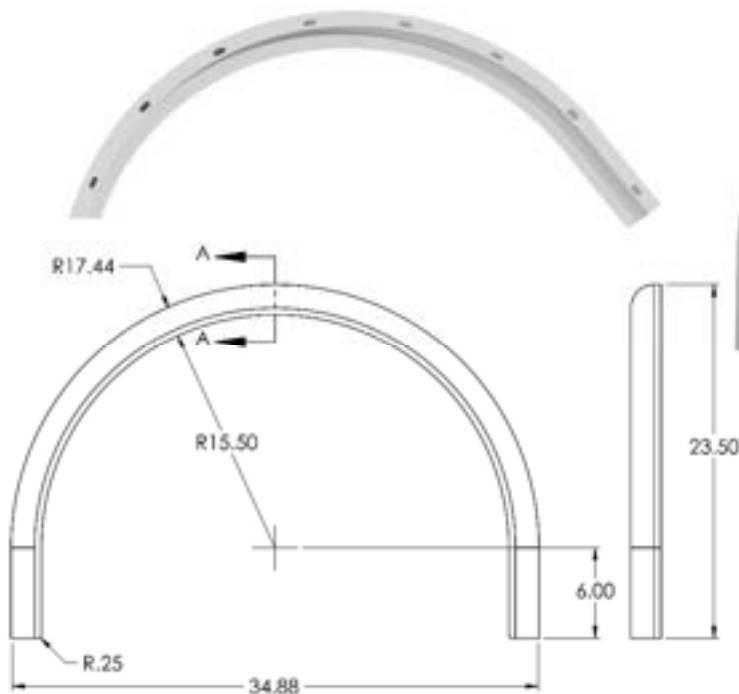
## FD1015

Fenderette, 1 Piece, 17.25"  
ID Radius

1. Material: 304 stainless steel (16 gauge).
2. Finish: (-1) Polished exterior.



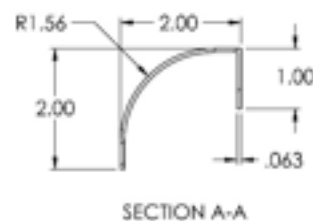
## FD1016



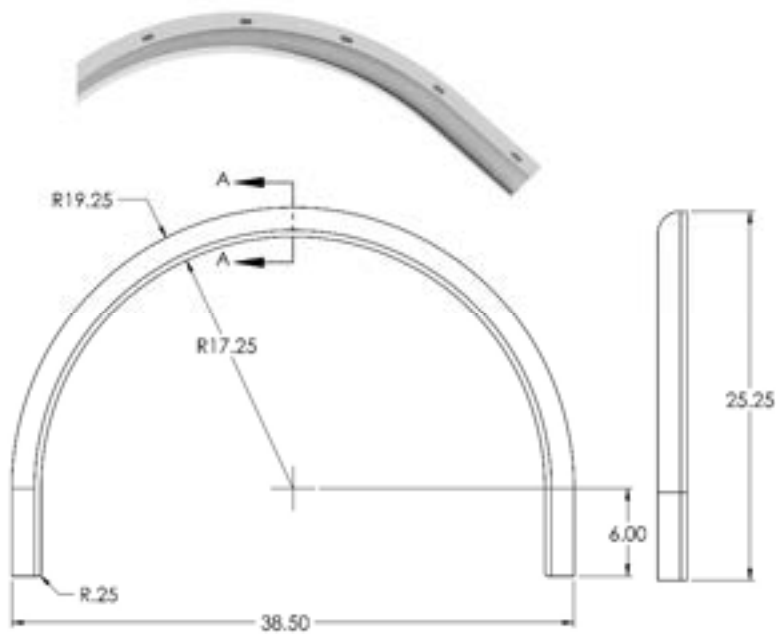
## FD1016

Fenderette, 1 Piece, 15.50"  
ID Radius, 6" Legs

1. Material: 304 stainless steel (16 gauge).
2. Finish: (-1) Polished exterior.



# FD1017



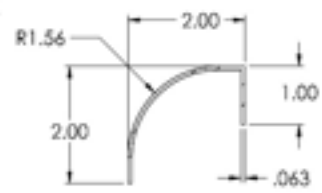
## FD1017

Fenderette, 1 Piece, 17.25"

ID Radius, 6" Legs

1. Material: 304 stainless steel (16 gauge).

2. Finish: (-1) Polished exterior.



SECTION A-A