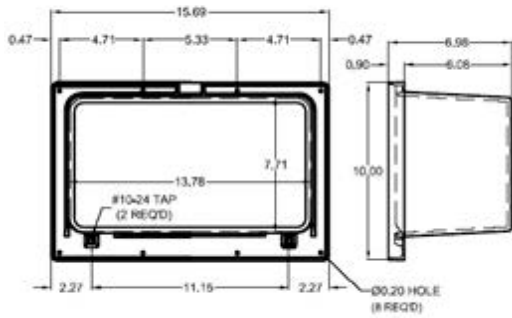


# Enclosed Boxes

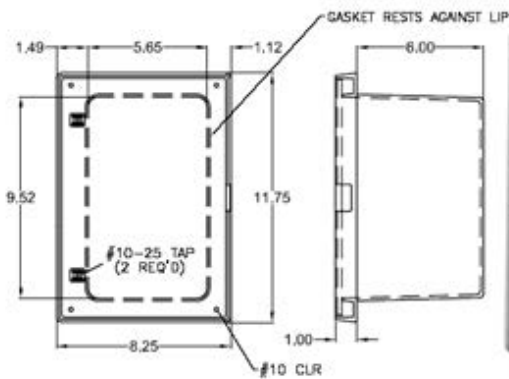
## EB0001



## EB0001 Phone Box

- 1) All concealed mounting hardware and hinges.
- 2) Finish outside flange - polished. lid - 120 grit directional ground.

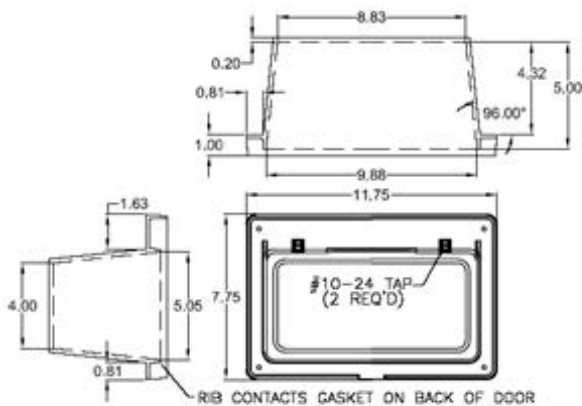
## EB0002



## EB0002 Phone Box

- 1) All concealed mounting hardware and hinges.
- 2) Finish outside flange - polished. lid - 120 grit directional ground.

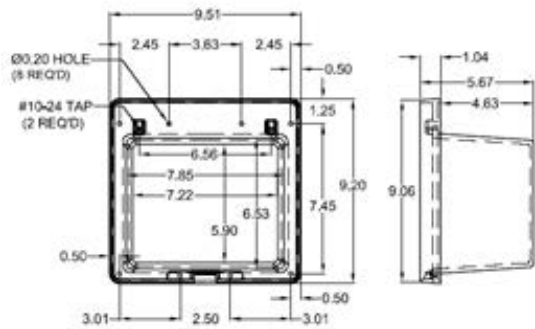
## EB0003



## EB0003 Phone Box

- 1) All concealed mounting hardware and hinges.
- 2) Finish outside flange - polished. lid - 120 grit directional ground.

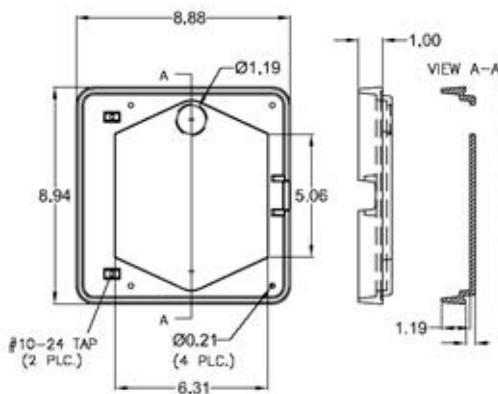
## EB0004



## EB0004 Microphone Box with Slam Latch

- 1) All concealed mounting hardware and hinges.
- 2) Finish outside flange - polished, lid - 120 grit directional ground.
- 3) Standard Slam-Latch.

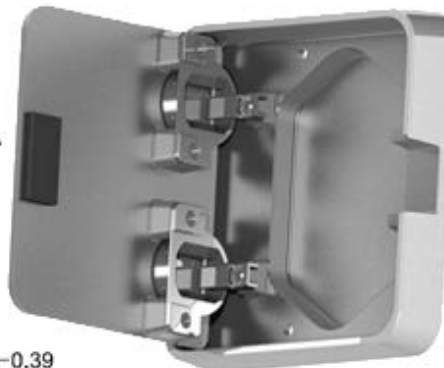
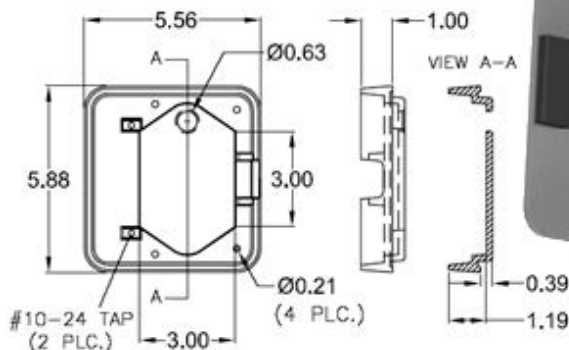
## EB0005



## EB0005 Aerial Switch Panel Access Box with Hinged Flange

- 1) All concealed mounting hardware and hinges.
- 2) Finish outside flange - polished, lid - 120 grit directional ground.
- 3) One 3/16" hole drilled at the top or bottom for the mounting of the lamp. This allows for the door to be mounted for Left or Right handed openings.

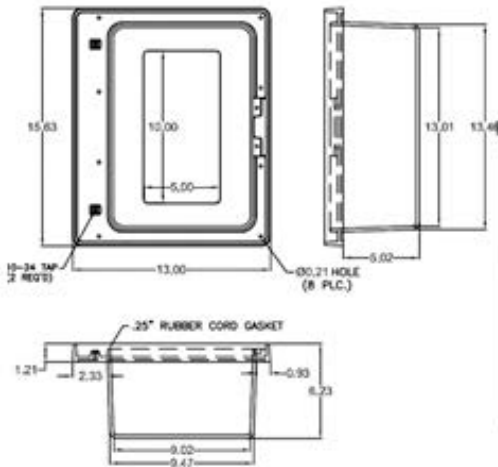
## EB0006



## EB0006 Aerial Switch Panel Access Box with Hinged Flange

- 1) All concealed mounting hardware and hinges.
- 2) Finish outside flange - polished, lid - 120 grit directional ground.
- 3) One 3/16" hole drilled at the top or bottom for the mounting of the lamp. This allows for the door to be mounted for Left or Right handed openings.

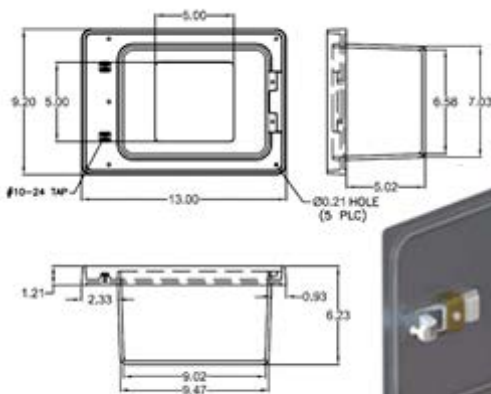
## EB0007



## EB0007 Outrigger Control Box with Lever Latch and Seal

- 1) All concealed mounting hardware and hinges.
- 2) Finish: Outside flange - polished. lid - 120 grit directional ground.
- 3) Uses 1/4" rubber cord gasket in back of lid.
- 4) Product sold with Southco adjustable lever latch installed.

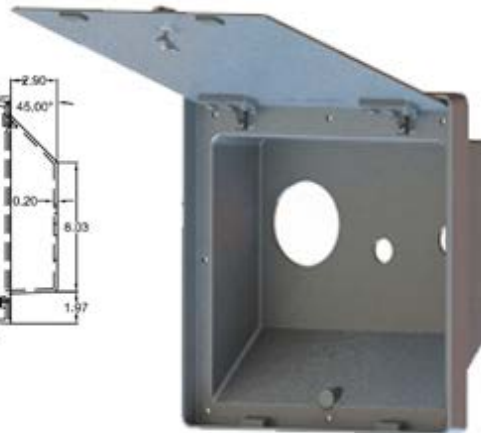
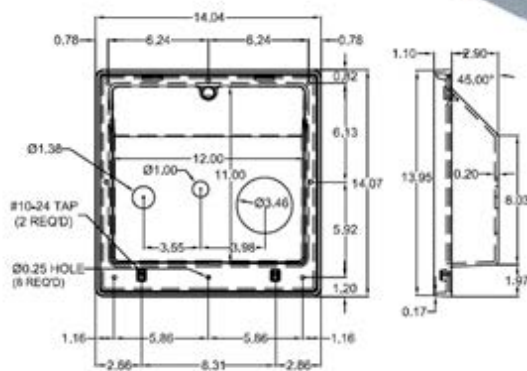
## EB0008



## EB0008 Outrigger Control Box with Lever Latch and Seal

- 1) All concealed mounting hardware and hinges.
- 2) Finish: Outside flange - polished. lid - 120 grit directional ground.
- 3) Uses 1/4" rubber cord gasket in back of lid.
- 4) Product sold with Southco adjustable lever latch installed.

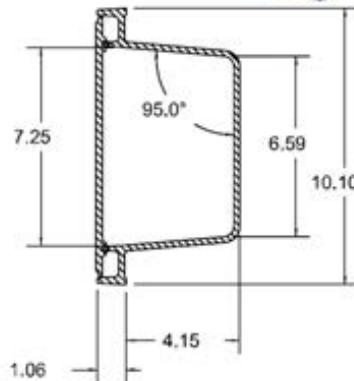
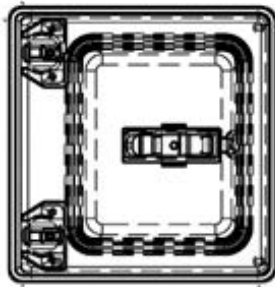
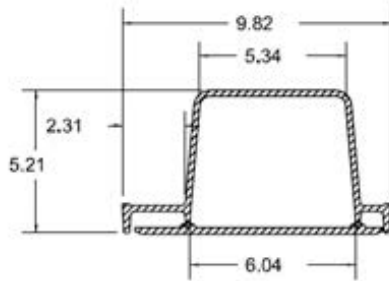
## EB0009



## EB0009 Water Fill Enclosed Box

- 1) All concealed mounting hardware and hinges.
- 2) Finish: Outside flange - polished. lid - 120 grit directional ground.
- 3) Product sold with Southco 100 series latch installed.

**EB0010**

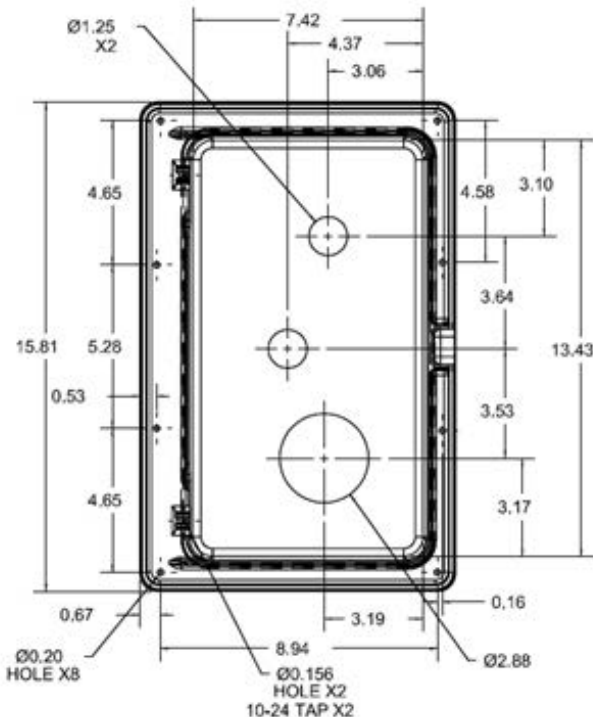


**EB0010**

**Microphone Box w/  
Gasket Seal w/  
Southco Lever  
Latch**

- 1) All concealed mounting hardware and hinges.
- 2) Finish: Outside flange - polished. lid - 120 grit directional ground.
- 3) Uses 1/4" rubber cord gasket in back of lid.
- 4) Product sold with Southco adjustable lever latch installed.

**EB0011**



**EB0011**

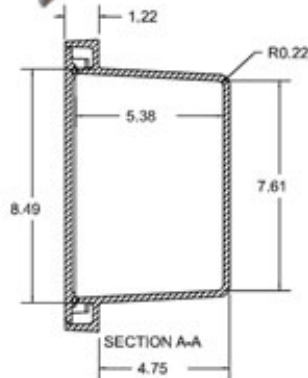
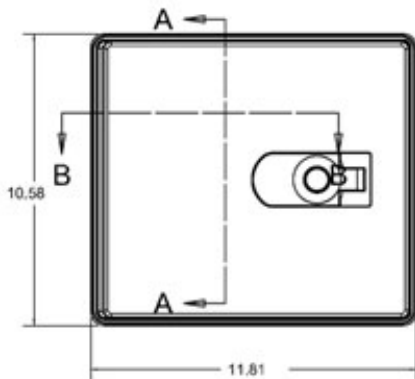
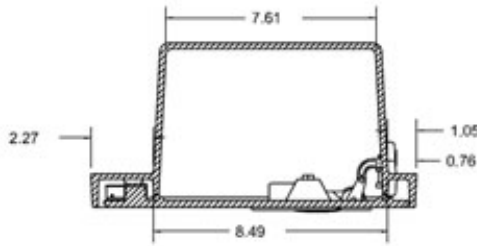
**Phone Box w/ Lid and  
Gasket (2 1/2" deep)**

- 1) All concealed mounting hardware and hinges.
- 2) Finish: Outside flange - polished. lid - 120 grit directional ground.
- 3) Uses 1/4" rubber cord gasket in back of lid.

**EB0012**

**EB0012**

**Headset Box w/ Lid,  
Door Gasket and  
Weatherproof  
Southco Lever  
Latch (Non-locking)**

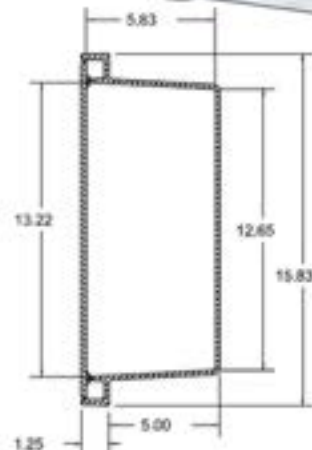
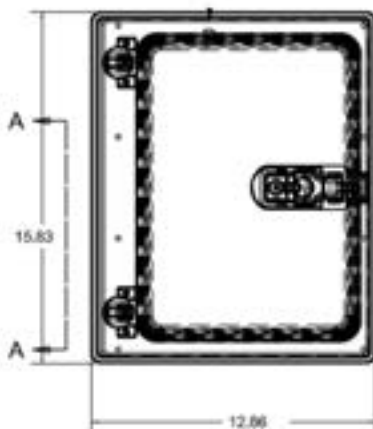
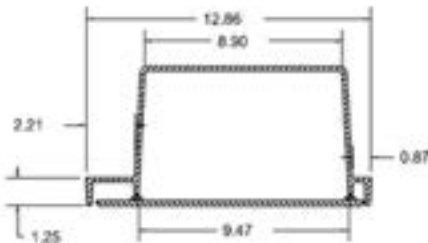


- 1) All concealed mounting hardware and hinges.
- 2) Finish: Outside flange - polished, lid - 120 grit directional ground.
- 3) Uses 1/4" rubber cord gasket in back of lid.
- 4) Product sold with Weather proof Southco adjustable lever latch installed (non-locking).

**EB0013**

**EB0013**

**Phone Box w/ Lid,  
Door Gasket and  
Locking  
Weatherproof  
Southco Lever  
Latch**



- 1) All concealed mounting hardware and hinges.
- 2) Finish: Outside flange - polished, lid - 120 grit directional ground.
- 3) Uses 1/4" rubber cord gasket in back of lid.
- 4) Product sold with Weather proof Southco adjustable lever latch installed (locking).

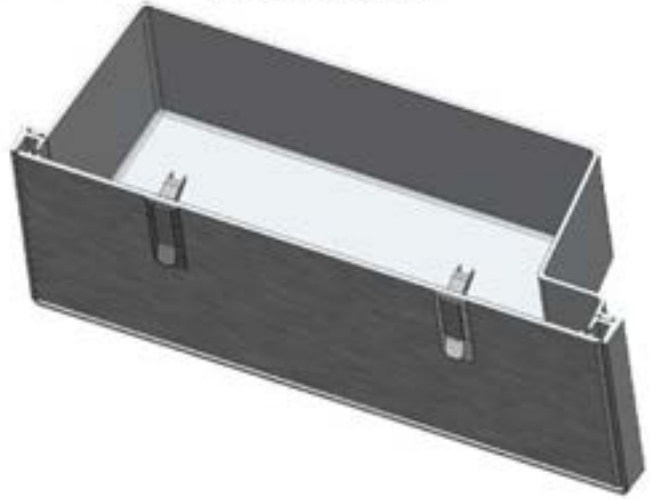
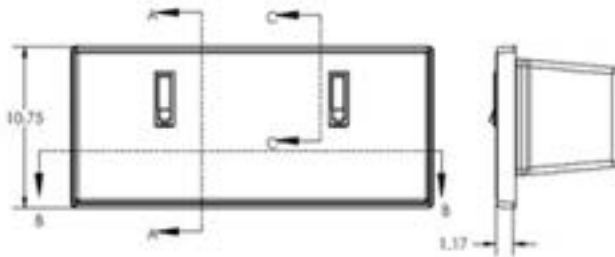


EB0015



**EB0015-1**  
Tether Control Box w/ Lid,  
Door Gasket and Southco  
Lever Latches x2

- 1) Finish: interior is ball-burnished with mounting flange polished. Lid is 120 grit directional ground.
- 2) Uses two Standard SouthCo Lever latches and internal .25" cord gasket.
- 3) Interior is solid (no rear holes).
- 4) Lid has small boss cast in to allow for user attachment of lid support chain or cable (not supplied).

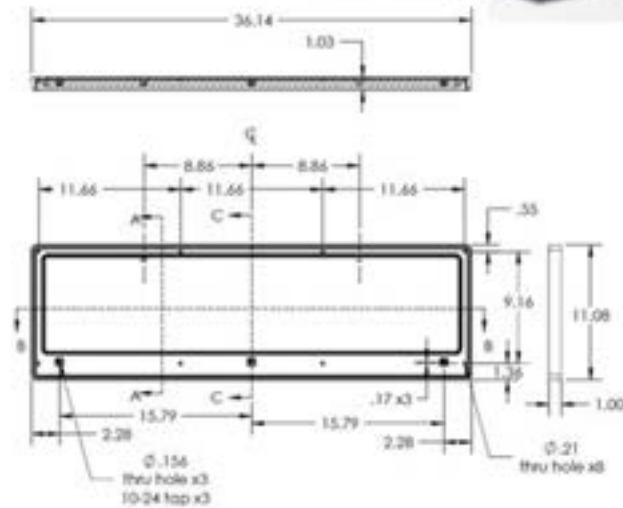


EB0016



## EB0016-1 Access Flange w/ Lid, Door Gasket and Southco Lever Latches x2

- 1) Finish: interior is ball-burnished with mounting flange polished. Lid is 120 grit directional ground.
- 2) Uses two Standard SouthCo Lever latches and internal .25" cord gasket.
- 3) Lid has small bosses cast in to allow for user attachment of lid support chain or cable (not supplied).



EB0017

# EB0017-1

## Open Phone Box and Lid

- 1) Finish: Interior is wheel-a-brated. Flange is polished with lid 120 grit directional ground.
- 2) Uses std. concealed hinges and cord gasket.

