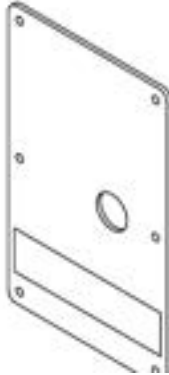
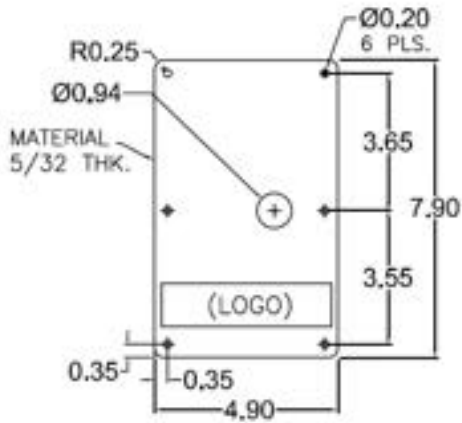


Door Hardware

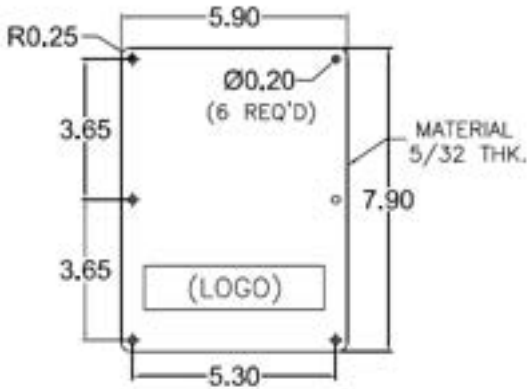
DH0001



DH0001 Door Latch Cover Plate

- 1) Finish: Available ground and brushed or ball-burnished.
- 2) Other sizes available upon request.

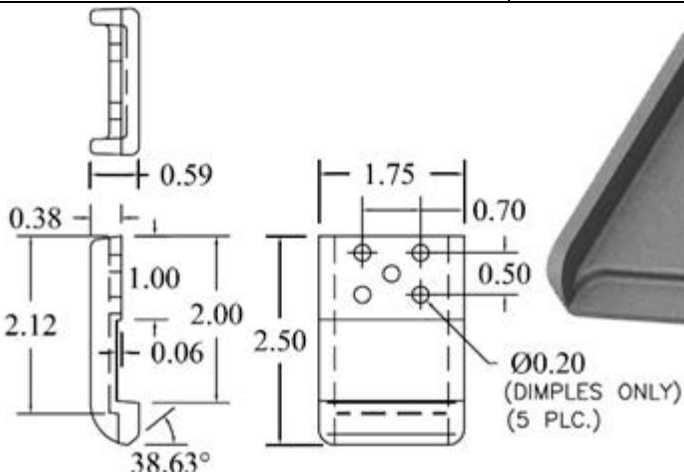
DH0002



DH0002 Door Latch Cover Plate

- 1) Finish: Available ground and brushed or ball-burnished.
- 2) Other sizes available upon request.

DH0006



DH0006 Door Striker Plate

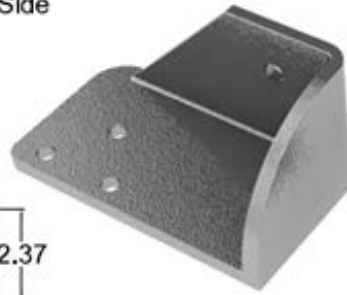
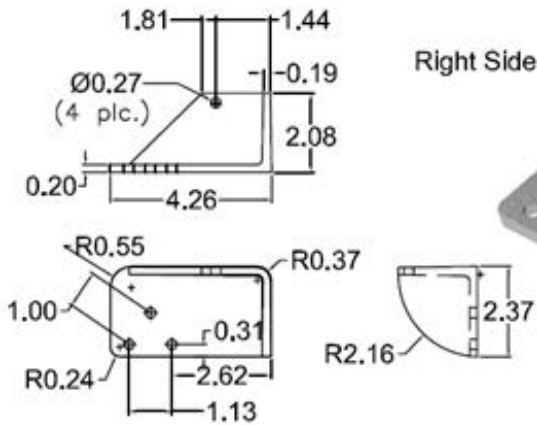
- 1) Finish: Wheel-a-brated.

DH0007

DH0007

Right Door Bracket

1) Finish: Ball-burnished.

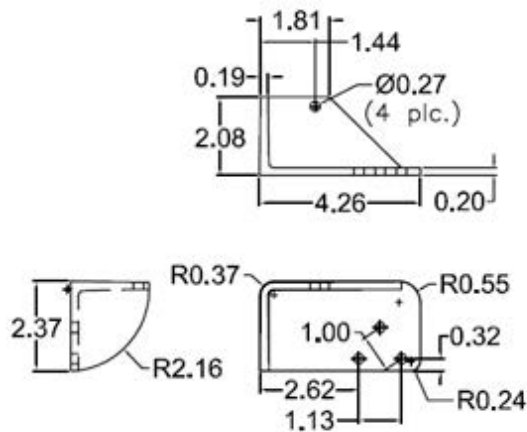


DH0008

DH0008

Left Door Bracket

1) Finish: Ball-burnished.



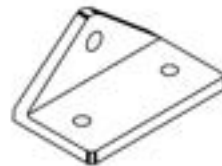
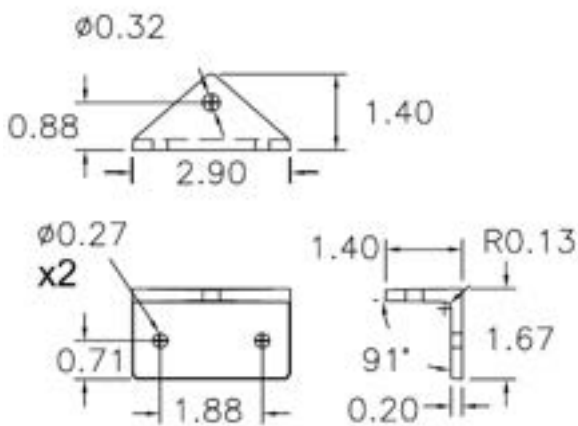
1

DH0011

DH0011

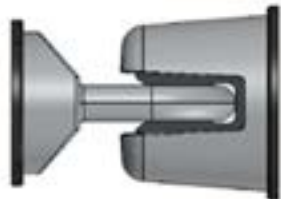
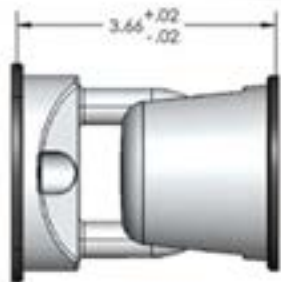
Door Bracket

1) Finish: Ball-burnished.



DH0016 and -A

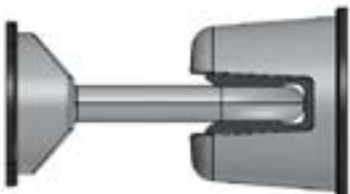
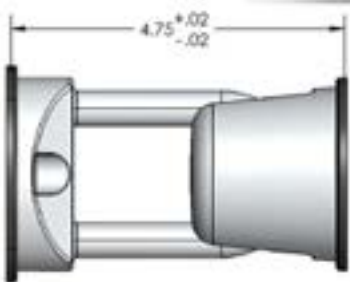
DH0016 and -A Door "Grabber" Assembly (3.66" Base to Base)



Part #:	Finish:	
DH0016-1CH	Diecast, Chrome-Plated	1) Finish: Polished and Chrome Plated exterior (to CASS 24 specifications).
DH0016-1CH-A	Diecast, Chrome-Plated w/ Rubber Gasket Set	1) Finish: Polished and Chrome Plated exterior (to CASS 24 specifications). 2) Supplied with Rubber Mounting Gaskets (Round and Oval).
DH0016-1-U	AL356, Polished	1) Finish: Polished exterior.
DH0016-1-UA	AL356, Polished w/ Rubber Gasket Set	1) Finish: Polished exterior. 2) Supplied with Rubber Mounting Gaskets (Round and Oval).
DH0016-5	AL356, Ball-Burnished	1) Finish: Ball-Burnished exterior.
DH0016-5-A	AL356, Ball-Burnished w/ Rubber Gasket Set	1) Finish: Ball-Burnished exterior. 2) Supplied with Rubber Mounting Gaskets (Round and Oval).

DH0017 and -A

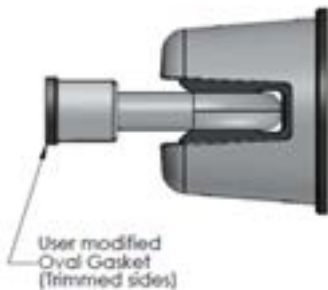
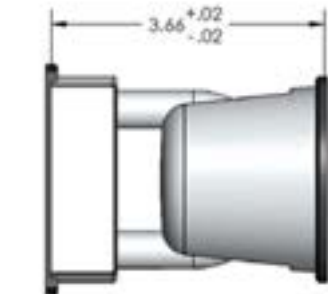
DH0017 and -A Door "Grabber" Assembly (4.75" Base to Base)



Part #:	Finish:	
DH0017-1CH	Diecast, Chrome-Plated	1) Finish: Polished and Chrome Plated exterior (to CASS 24 specifications).
DH0017-1CH-A	Diecast, Chrome-Plated, w/ Rubber Gasket Set	1) Finish: Polished and Chrome Plated exterior (to CASS 24 specifications). 2) Supplied with Rubber Mounting Gaskets (Round and Oval).
DH0017-1-U	AL356, Polished	1) Finish: Polished exterior.
DH0017-1-UA	AL356, Polished, w/ Rubber Gasket Set	1) Finish: Polished exterior. 2) Supplied with Rubber Mounting Gaskets (Round and Oval).
DH0017-5	AL356, Ball-Burnished	1) Finish: Ball-Burnished exterior.
DH0017-5-A	AL356, Ball-Burnished w/ Rubber Gasket Set	1) Finish: Ball-Burnished exterior. 2) Supplied with Rubber Mounting Gaskets (Round and Oval).

DH0018 and -A

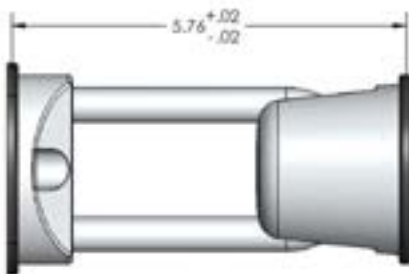
DH0018 and -A Door "Grabber" Assembly w/ Narrow Base (3.66" Base to Base)



Part #:	Finish:	
DH0018-1	AL356, Polished	1) Finish: Polished exterior.
DH0018-1-A	AL356, Polished w/ Rubber Gasket Set	1) Finish: Polished exterior. 2) Supplied with Rubber Mounting Gaskets (Round and Oval - trimmed to fit by user).

DH0019 and -A

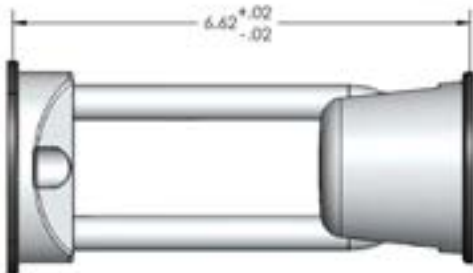
DH0019 and -A Door "Grabber" Assembly (5.76" Base to Base)



Part #:	Finish:	
DH0019-1	AL356, Polished	1) Finish: Polished exterior.
DH0019-1-A	AL356, Polished w/ Rubber Gasket Set	1) Finish: Polished exterior. 2) Supplied with Rubber Mounting Gaskets (Round and Oval).

DH0020 and -A

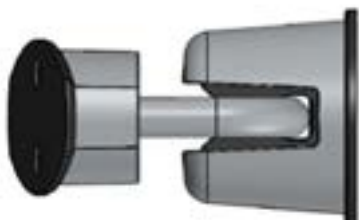
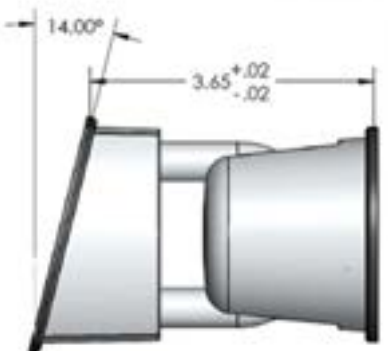
DH0020 and -A Door "Grabber" Assembly (6.62" Base to Base)



Part #:	Finish:	
DH0020-1	AL356, Polished	1) Finish: Polished exterior.
DH0020-1-A	AL356, Polished w/ Rubber Gasket Set	1) Finish: Polished exterior. 2) Supplied with Rubber Mounting Gaskets (Round and Oval).

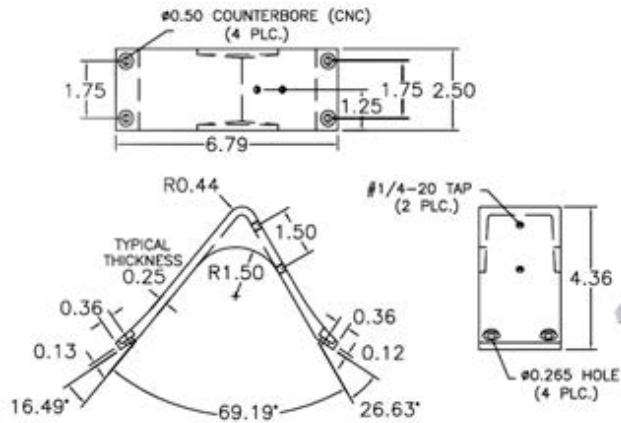
DH0022 and -A

DH0022 and -A Door "Grabber" Assembly w/ 14d. Angled Base



Part #:	Finish:	
DH0022-1	AL356, Polished	1) Finish: Polished exterior.
DH0022-1-A	AL356, Polished w/ Rubber Gasket Set	1) Finish: Polished exterior. 2) Supplied with Rubber Mounting Gaskets (Round and Oval).

DH0024

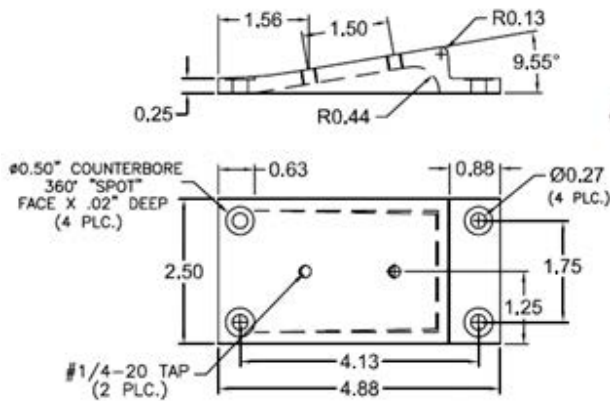


DH0024 Door Stop Wedge Bracket

1) Finish: Polished

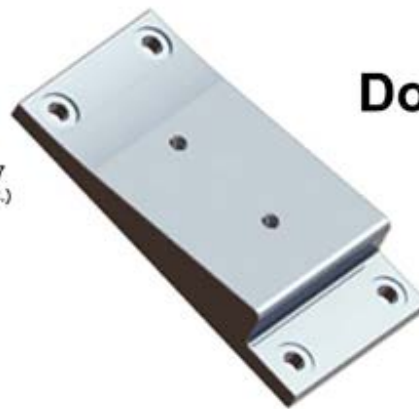


DH0025

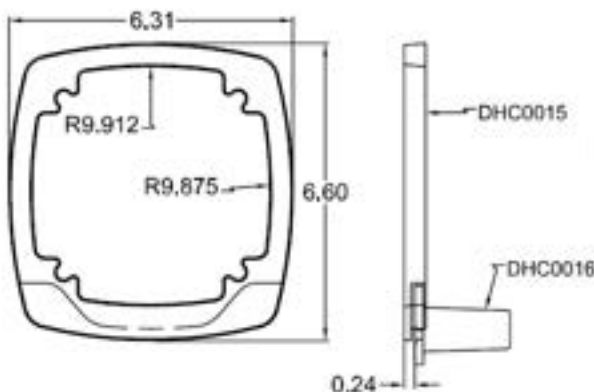


DH0025 Door Stop Wedge Bracket

1) Finish: polished.

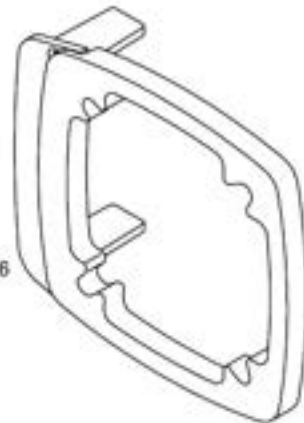


DH0028

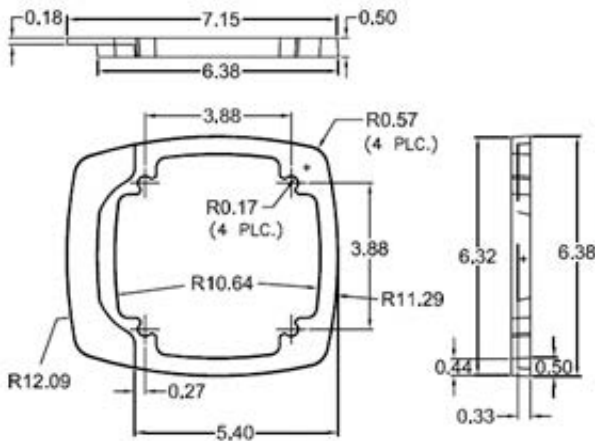


DH0028 Latch Spacer Trim

- 1) Finish: 120 grit ground or polished.
- 2) Serves as a spacer where D-Ring type latches and handles are used on thin compartment doors.



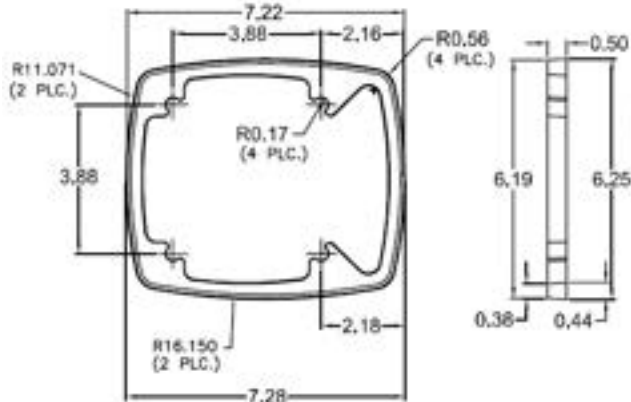
DH0029



DH0029 Latch Spacer Trim (Large)

- 1) Finish: 120 grit ground or polished.
- 2) Serves as a spacer where D-Ring type latches and handles are used on thin compartment doors.

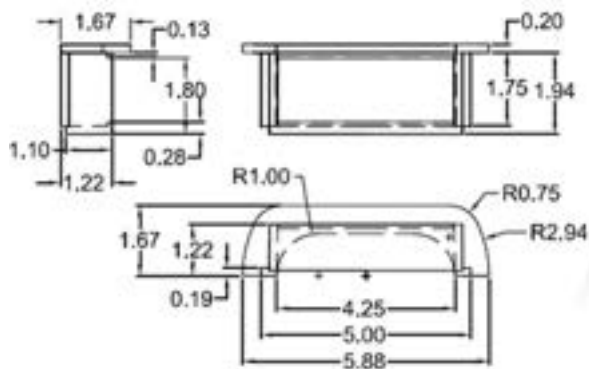
DH0030



DH0030 Latch Spacer Trim (Large)

- 1) Finish: 120 grit ground or polished.
- 2) Serves as a spacer where D-Ring type latches and handles are used on thin compartment doors.

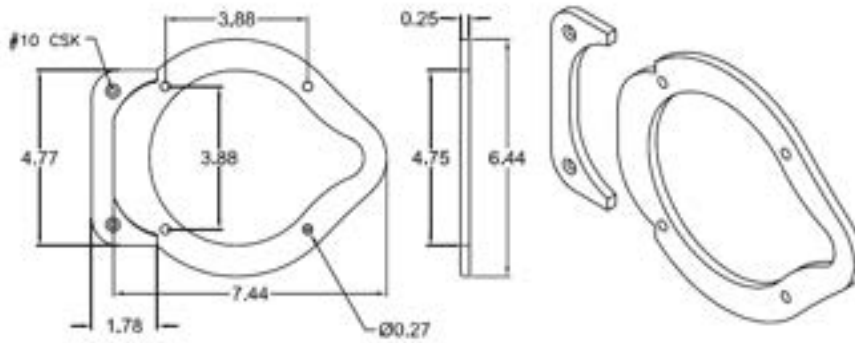
DH0031



DH0031 Extrusion Latch Cover

- 1) Finish: Bright Polished.

DH0032

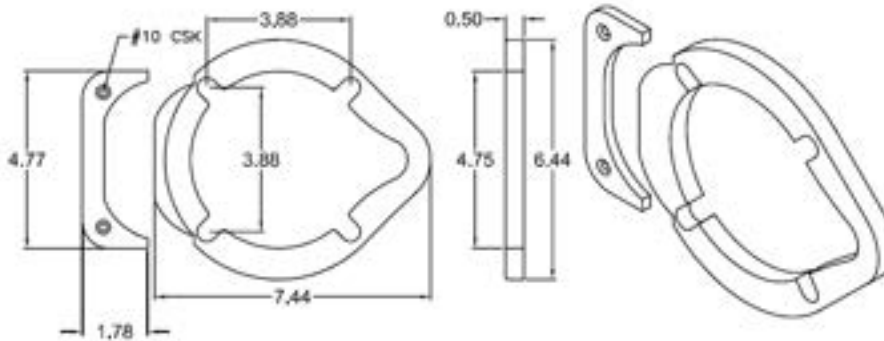


1

DH0032 D-Ring Spacer (2 Piece set)

- 1) Finish: 120 grit ground or polished.
- 2) Serves as a spacer where D-Ring type latches and handles are used on thin compartment doors.

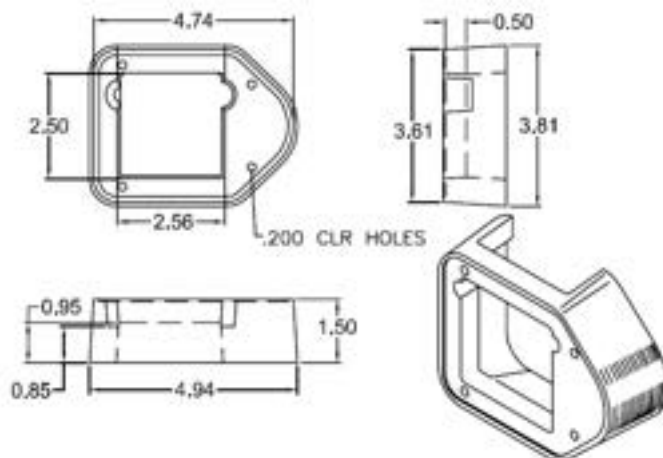
DH0033



DH0033 D-Ring Spacer (2 Piece set)

- 1) Finish: 120 grit ground or polished.
- 2) Serves as a spacer where D-Ring type latches and handles are used on thin compartment doors.

DH0036

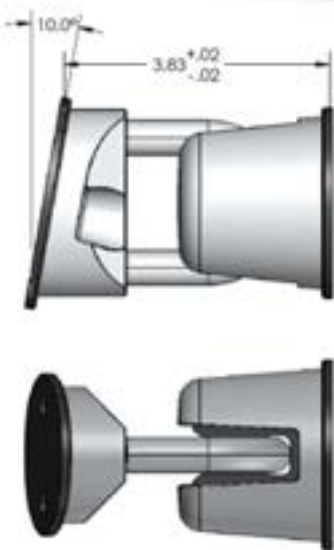


DH0036 Squad Bench Latch Spacer

- 1) Finish: 120 grit ground or polished.
- 2) Serves as a spacer where D-Ring type latches and handles are used on thin compartment doors.

DH0041 and -A

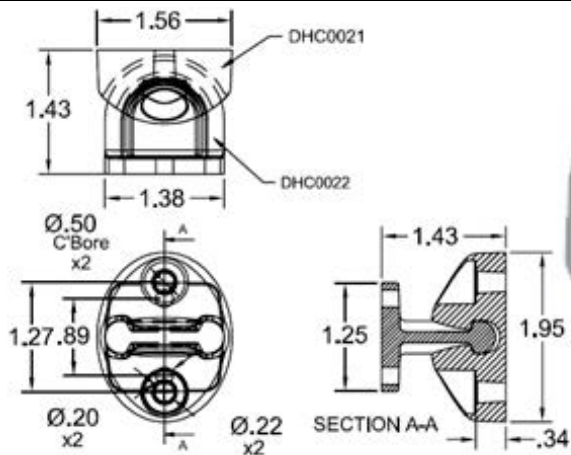
DH0041 and -A Door "Grabber" Assembly w/ 10d. Angled Base (3.83" Base to Base)



Part #:	Finish:	
DH0041-1	AL356, Polished	1) Finish: Polished exterior.
DH0041-1-A	AL356, Polished w/ Rubber Gasket Set	1) Finish: Polished exterior, 2) Supplied with Rubber Mounting Gaskets (Round and Oval).
DH0041-1CH	Diecast, Chrome-Plated	1) Finish: Polished and Chrome Plated exterior (to CASS 24 specifications).
DH0041-1CH-A	Diecast, Chrome-Plated, w/ Rubber Gasket Set	1) Finish: Polished and Chrome Plated exterior (to CASS 24 specifications). 2) Supplied with Rubber Mounting Gaskets (Round and Oval).

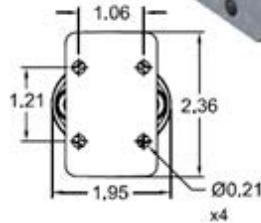
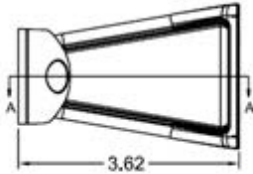
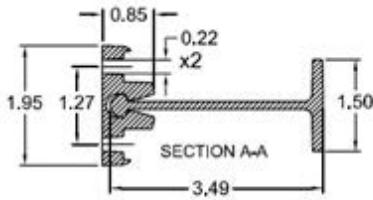
DH0042

DH0042 Mini Door Grabber



- 1) Finish: Ball-burnished.
- 2) Material: Male plunger is Aluminum 356. Female socket is solid rubber.

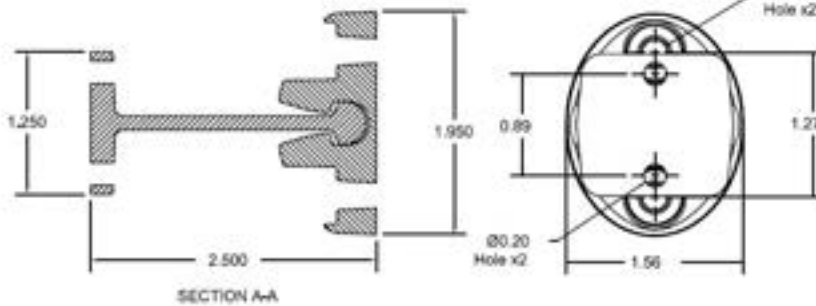
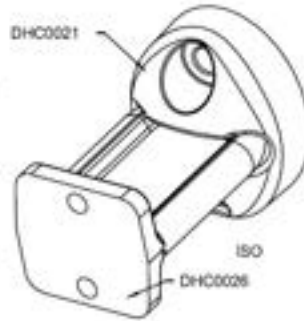
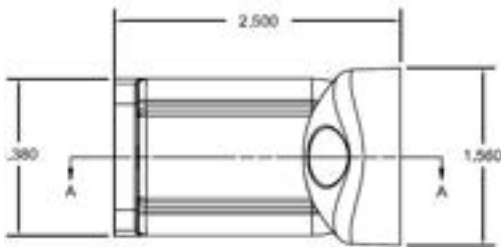
DH0043



DH0043 Mini Door Grabber

- 1) Finish: Ball-burnished.
- 2) Material: Male plunger is Aluminum 356. Female socket is solid rubber.

DH0046

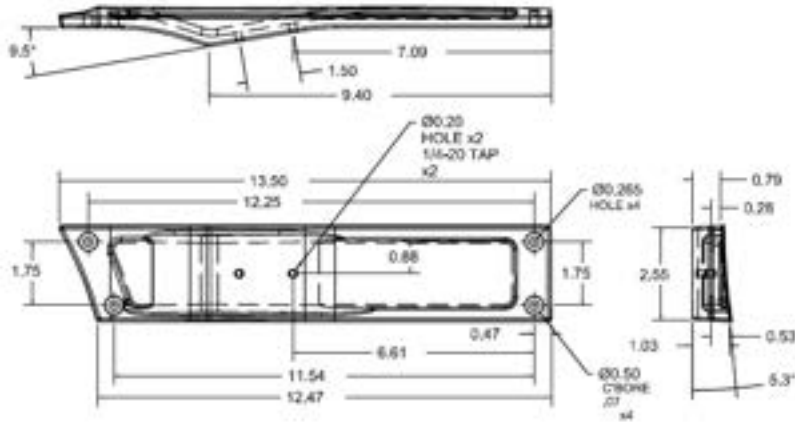


DH0046 Mini Door Grabber 2.50" BTB

- 1) Finish: Ball-burnished.
- 2) Material: Male plunger is Aluminum 356. Female socket is solid rubber.



DH0050

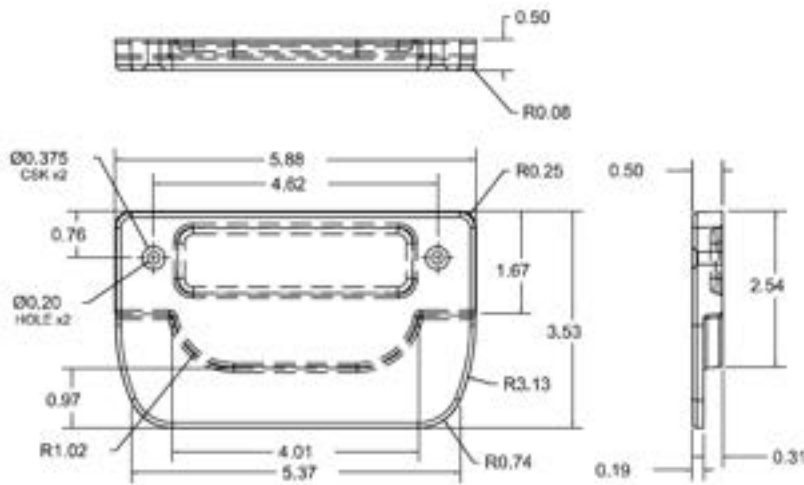


DH0050
9.5d. Door Grabber
Wedge Spacer
(E350 Side Panel)

1) Finish: polished.



DH0051

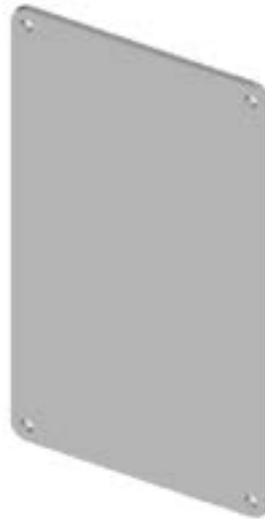
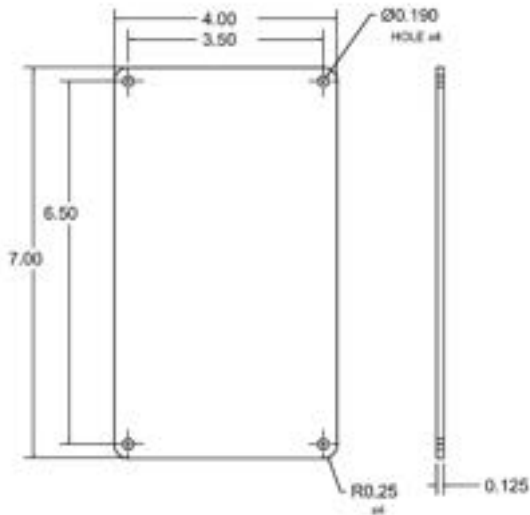


DH0051
Door Latch Cover
Plate

1) Finish: polished.



DH0052

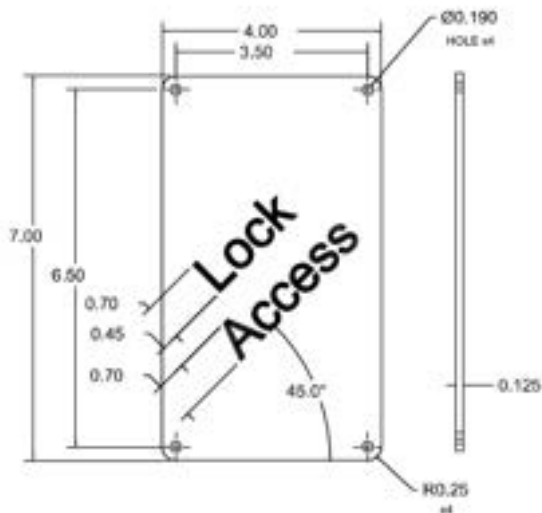


DH0052

Plain 4x7 Electric Latch Cover Plate

1) Finish: ball-burnished.

DH0052-B

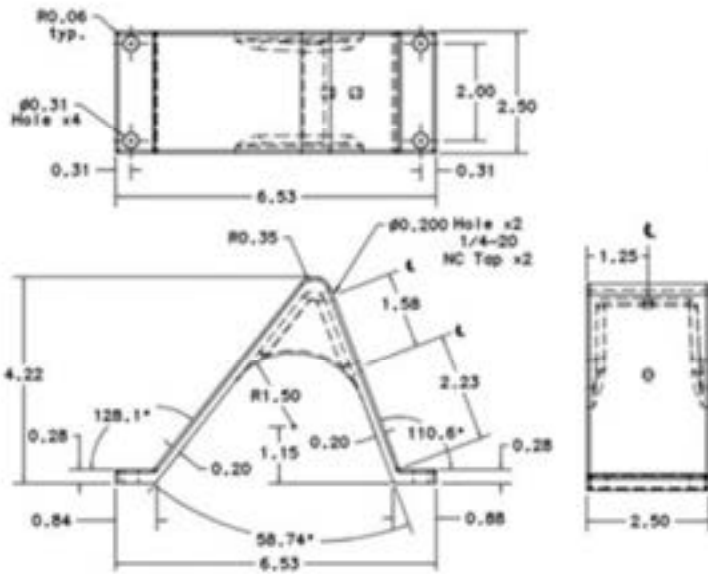


DH0052-B

45d "Lock Access" engraved 4x7 Electric Latch Cover Plate

1) Finish: ball-burnished.

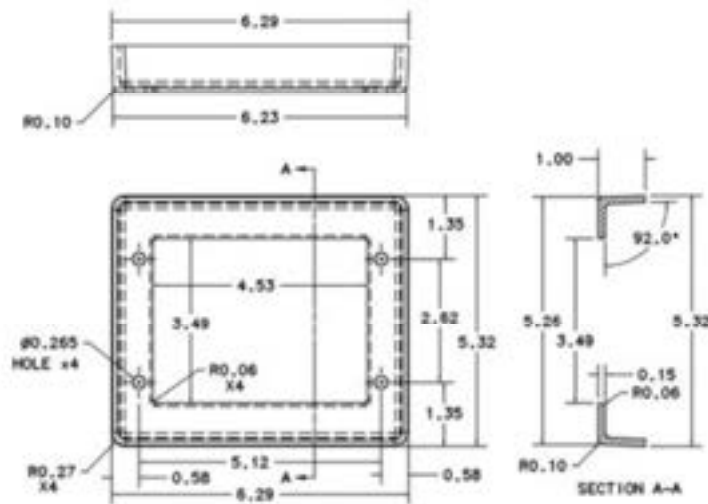
DH0053



DH0053
Door Stop Wedge
Bracket

1) Finish: polished.

DH0054



DH0054
Door Spacer
Casting

1) Finish: powder coated black.



DH0058

DH0058
Striker Cover Plate
Stamping

1) Finish: 120 grit ground.

